



US00D429295S

United States Patent [19] Ceppo

[11] **Patent Number: Des. 429,295**

[45] **Date of Patent: ** Aug. 8, 2000**

[54] **FIXED DUMBBELL HOLDER STAND**

[76] Inventor: **Louis Ceppo**, 204 Colonial Dr.,
Boynton Beach, Fla. 33435

[**] Term: **14 Years**

[21] Appl. No.: **29/104,273**

[22] Filed: **Apr. 30, 1999**

[51] **LOC (7) Cl.** **21-02**

[52] **U.S. Cl.** **D21/686; D21/662**

[58] **Field of Search** D21/662, 676,
D21/686, 690, 691, 694; 482/93, 92, 94,
104, 139, 148

[56] **References Cited**

U.S. PATENT DOCUMENTS

4,205,838	6/1980	McIntosh	482/104
4,666,150	5/1987	Segrist et al.	482/104
4,773,642	9/1988	Cruz	482/104
5,411,459	5/1995	Hayden	482/104
5,725,460	3/1998	Marsh	482/104

Primary Examiner—Philip S. Hyder
Attorney, Agent, or Firm—McHale & Slavin

[57] **CLAIM**

The ornamental design for a fixed dumbbell holder stand, as shown and described.

DESCRIPTION

FIG. 1 is a perspective view of the fixed dumbbell holder stand holding a dumbbell;

FIG. 2 is a perspective view of the fixed dumbbell holder stand;

FIG. 3 is a rear elevation view thereof;

FIG. 4 is a left side elevation view thereof;

FIG. 5 is a right side elevation view thereof;

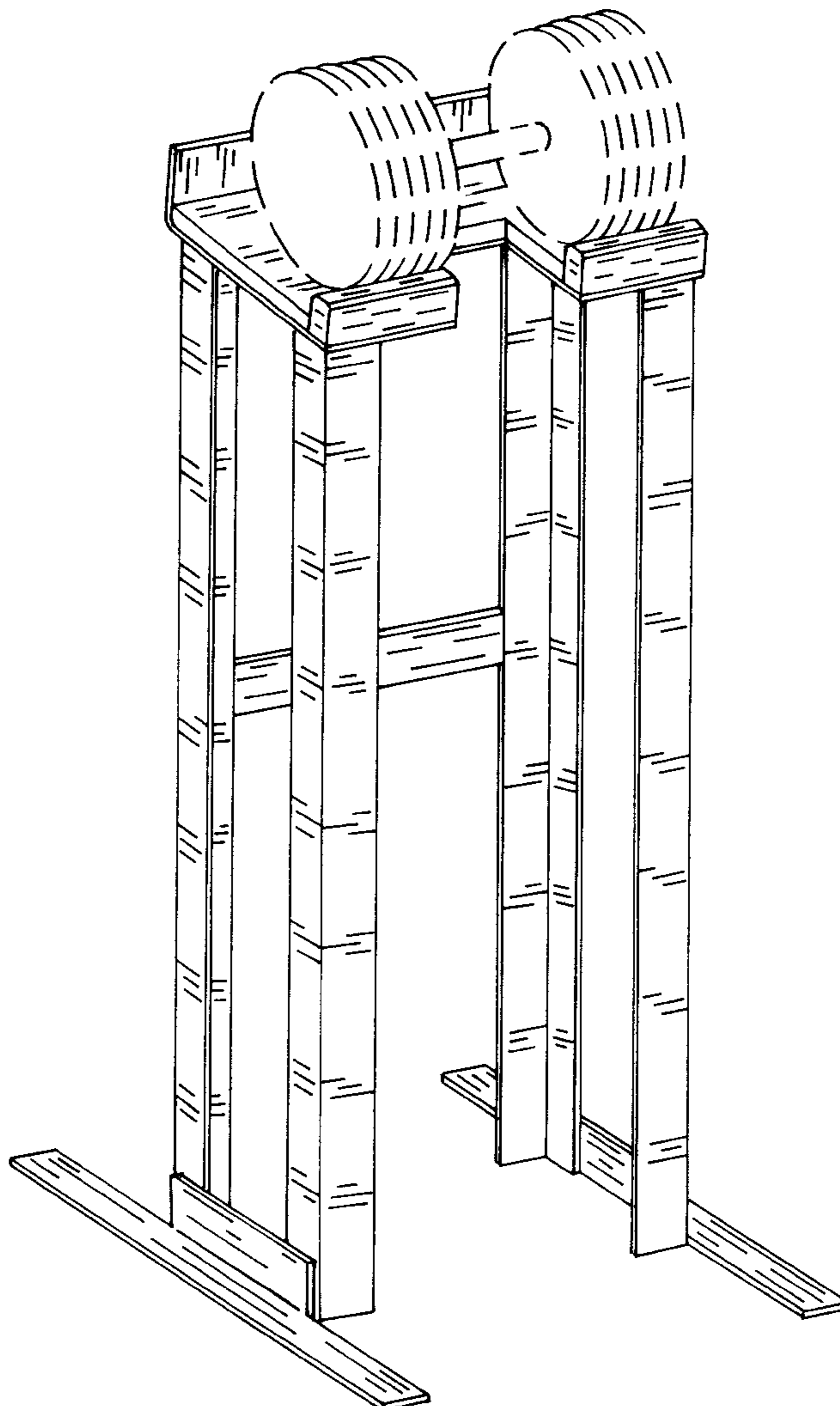
FIG. 6 is a front elevation view thereof;

FIG. 7 is a top plan view thereof; and,

FIG. 8 is a bottom plan view thereof.

The broken line showing the dumbbell in FIG. 1 is for illustrative purposes only and forms no part of the claimed design.

1 Claim, 8 Drawing Sheets



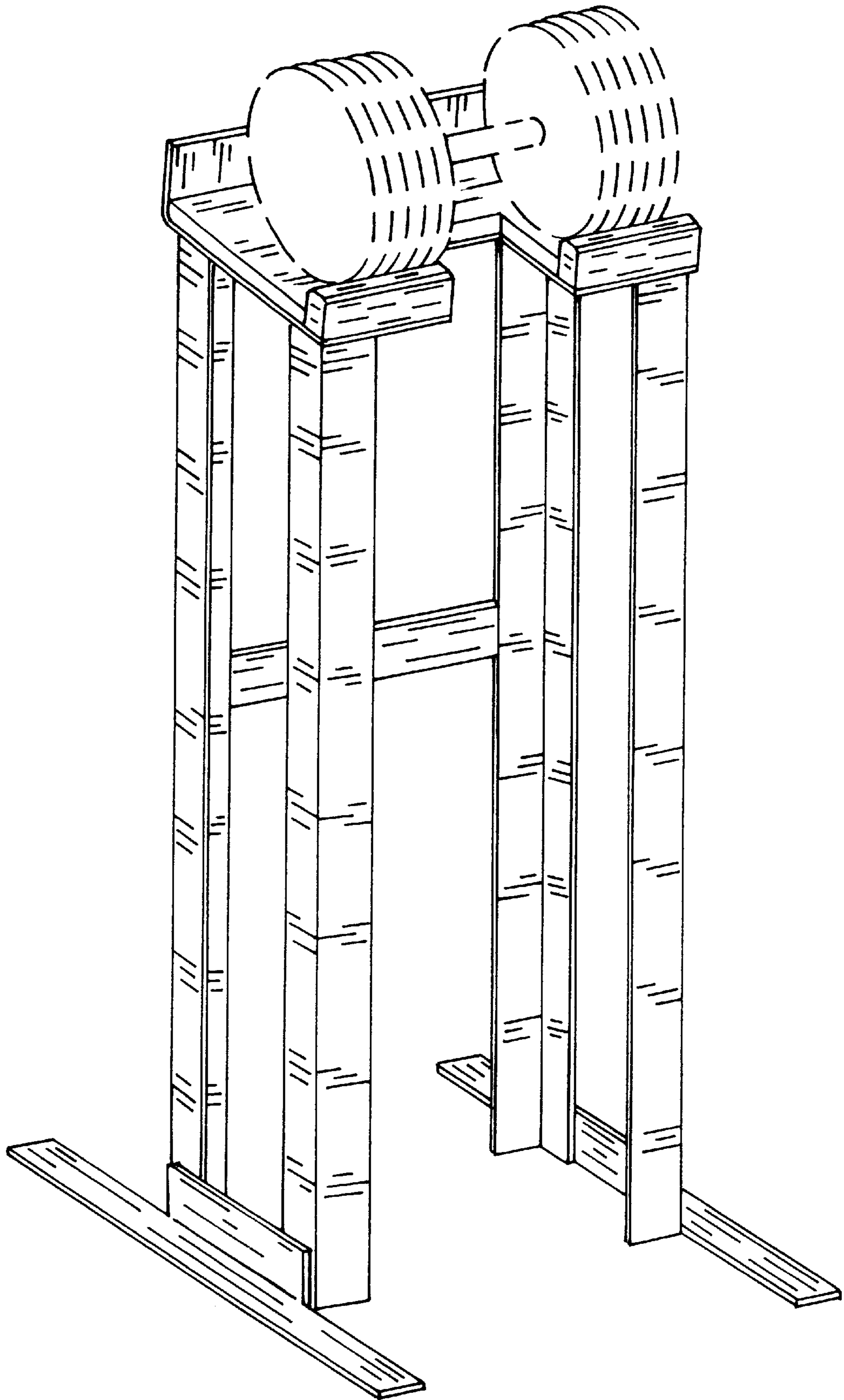


FIG. 1

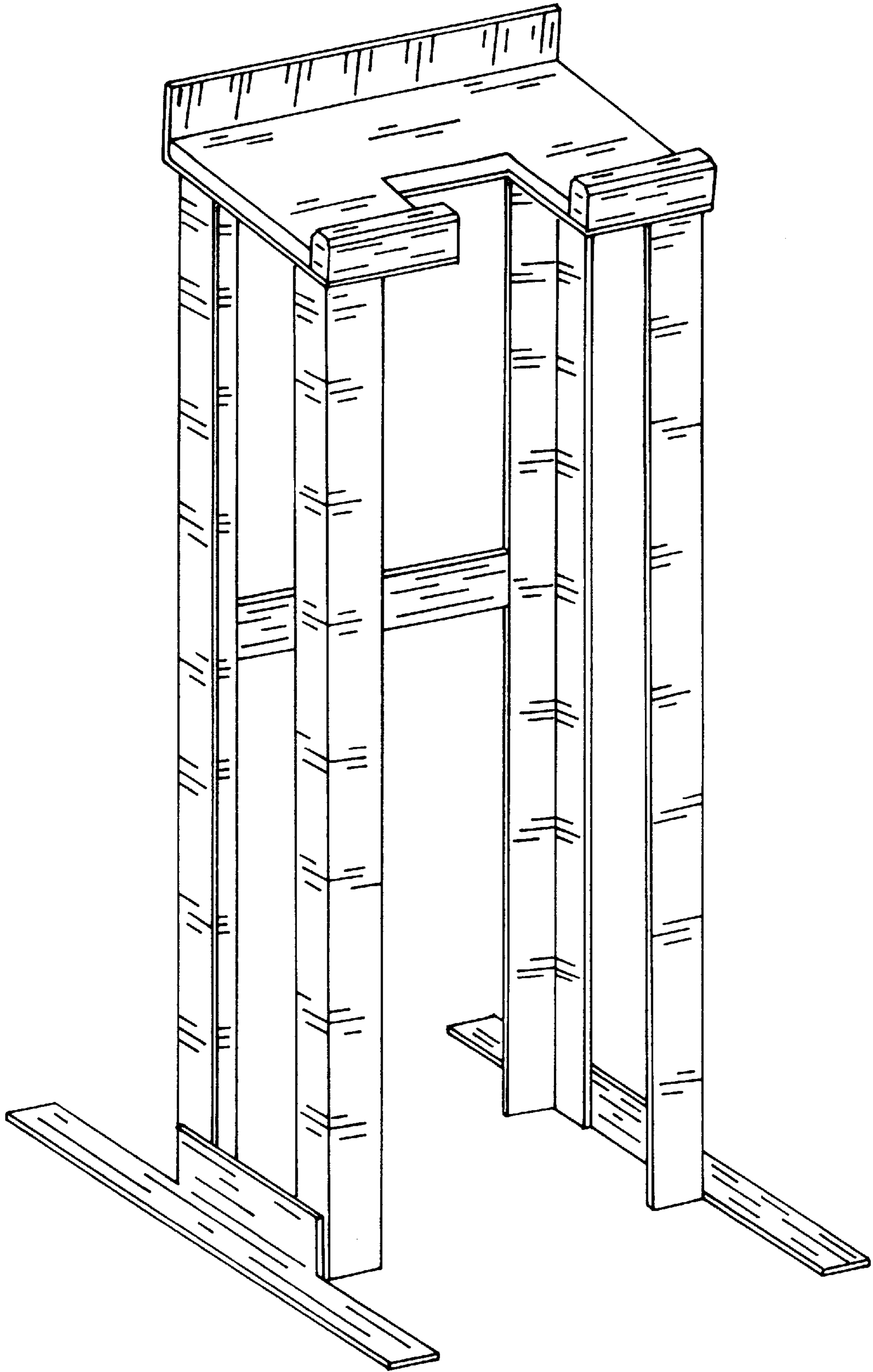


FIG. 2

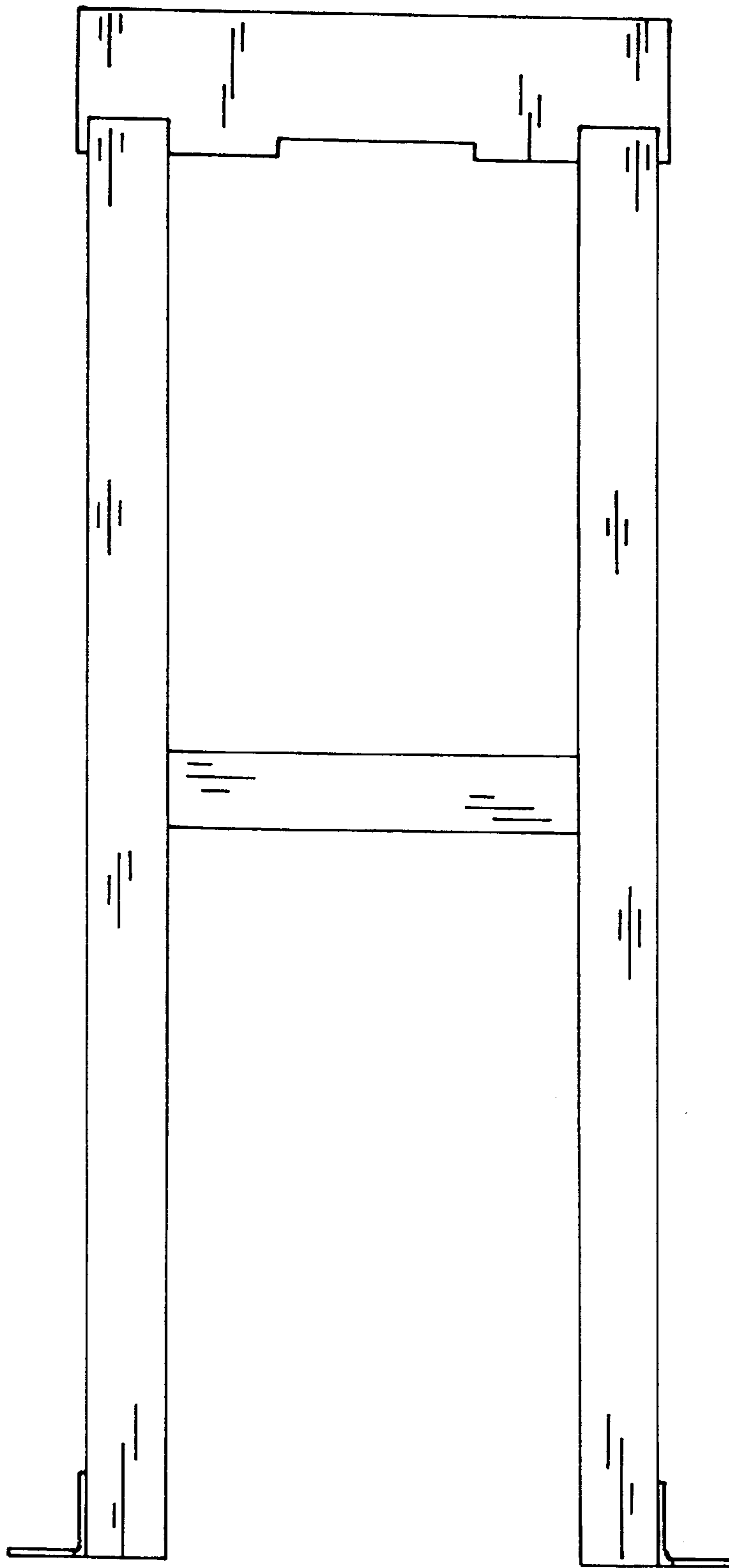


FIG. 3

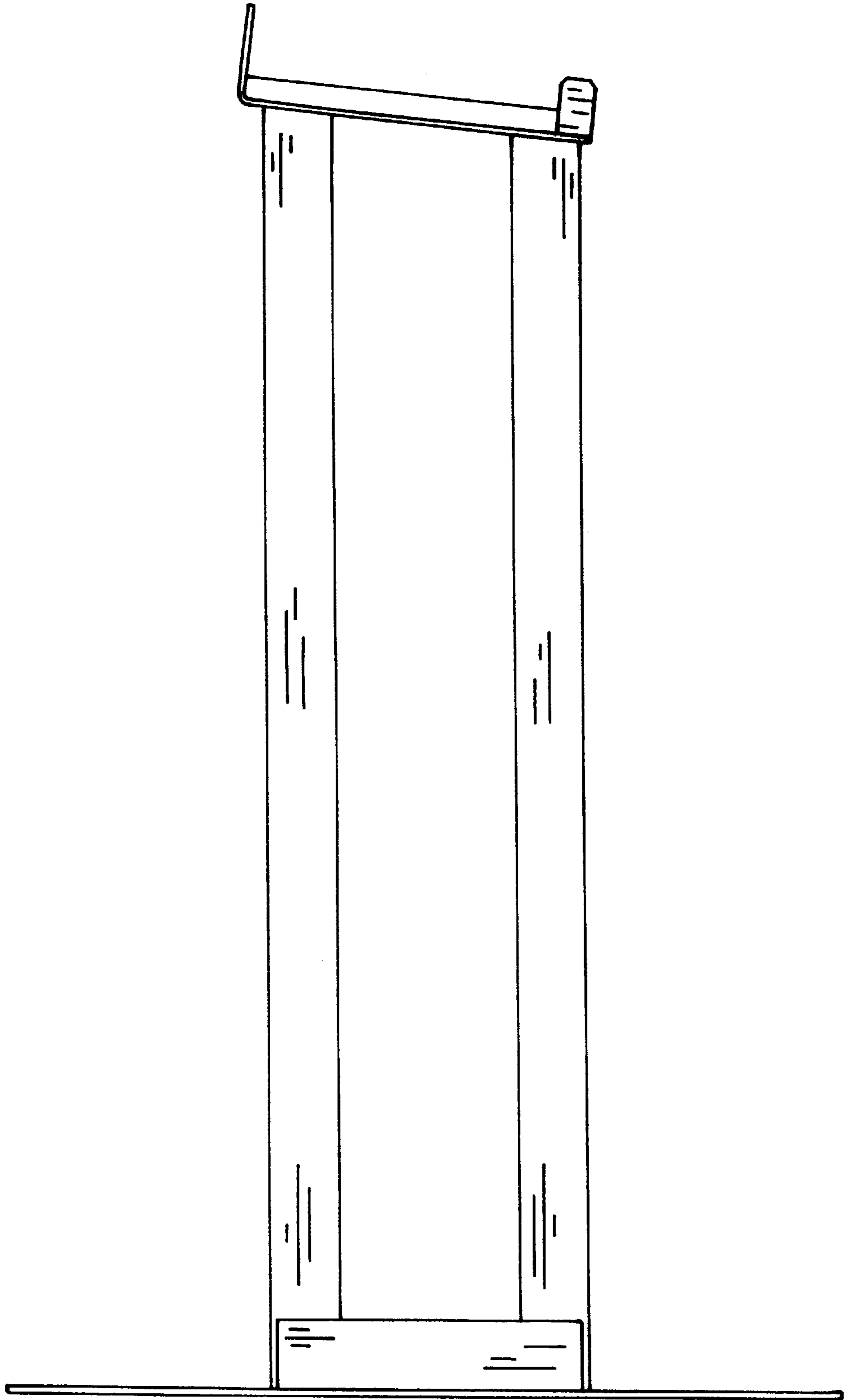


FIG. 4

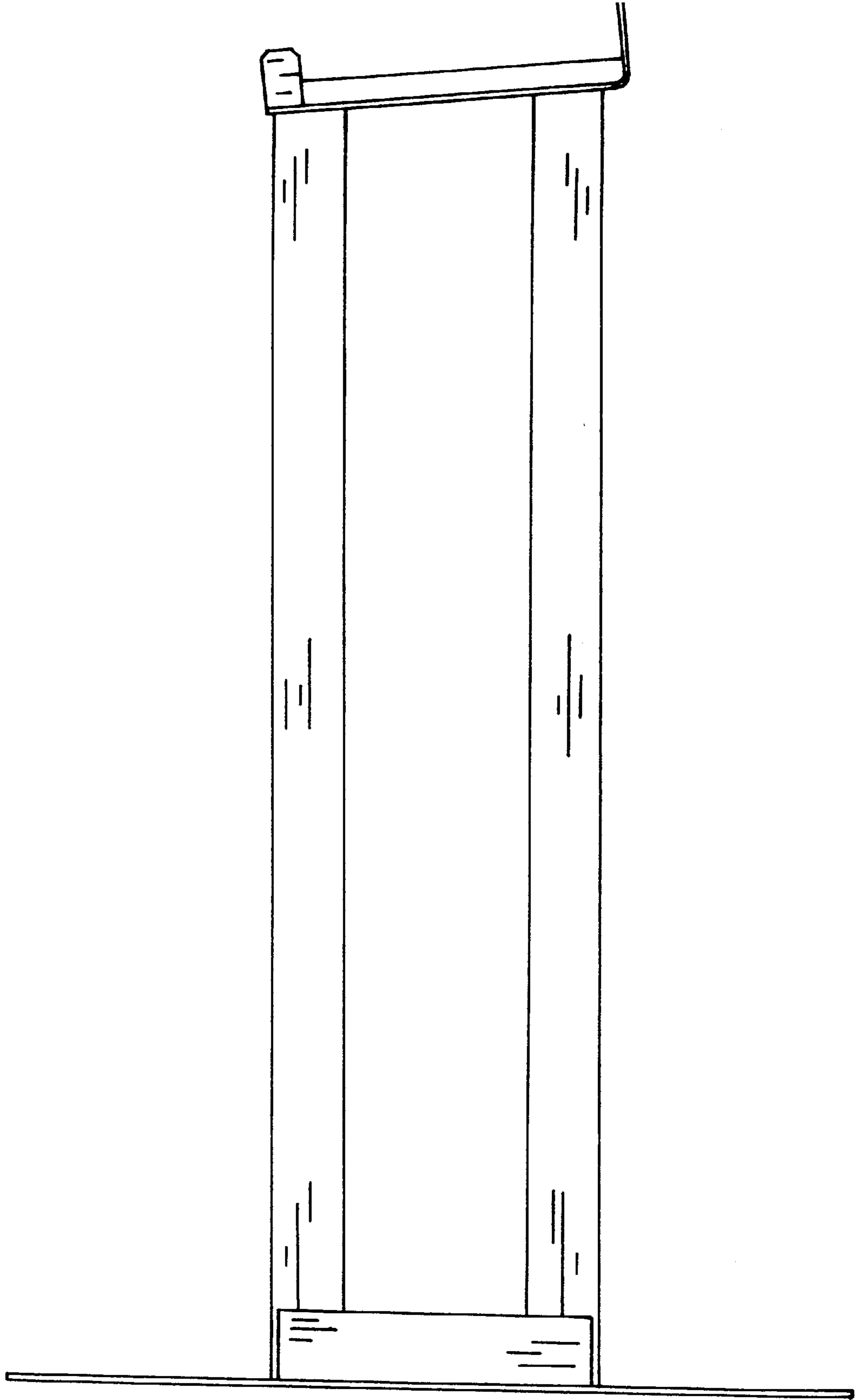


FIG. 5

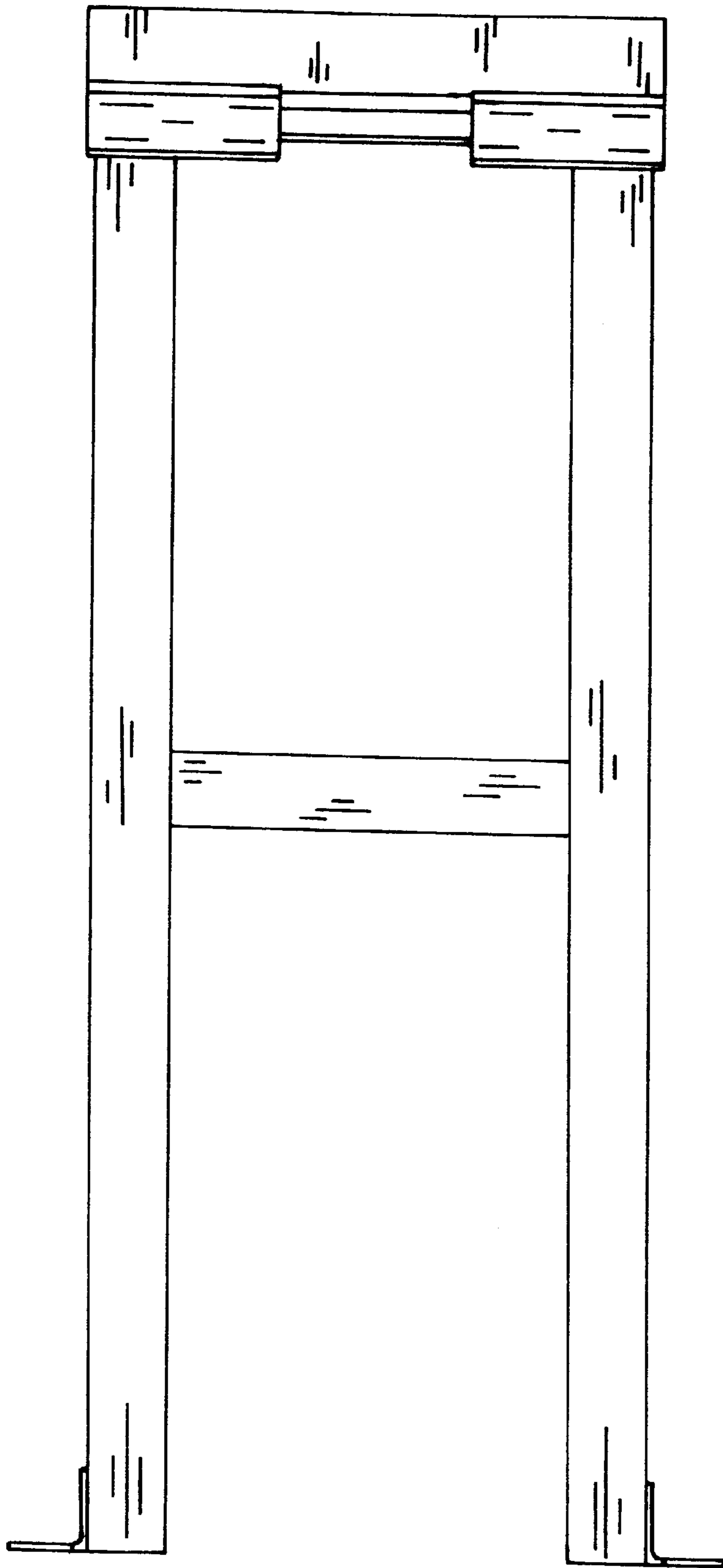


FIG. 6

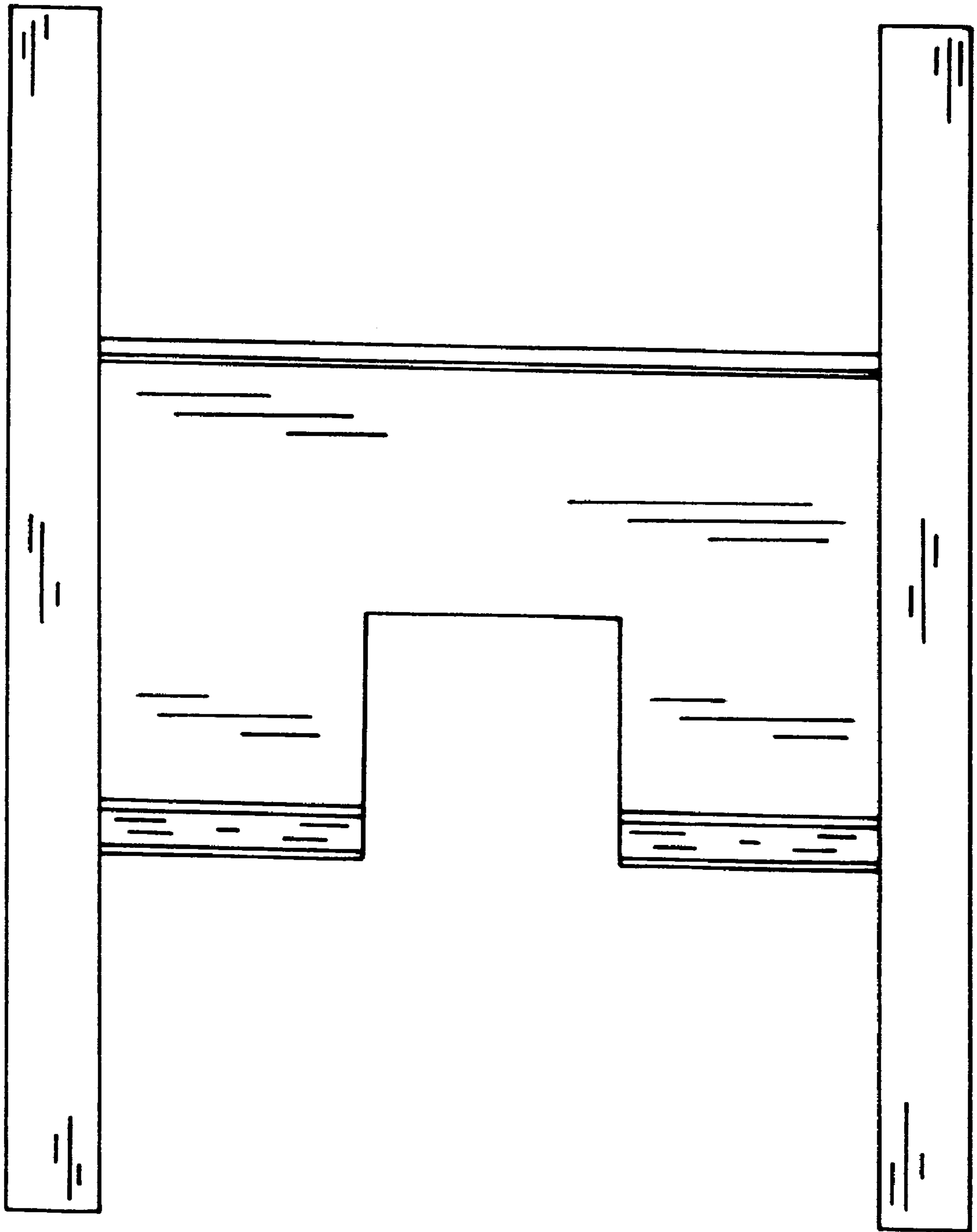


FIG. 7

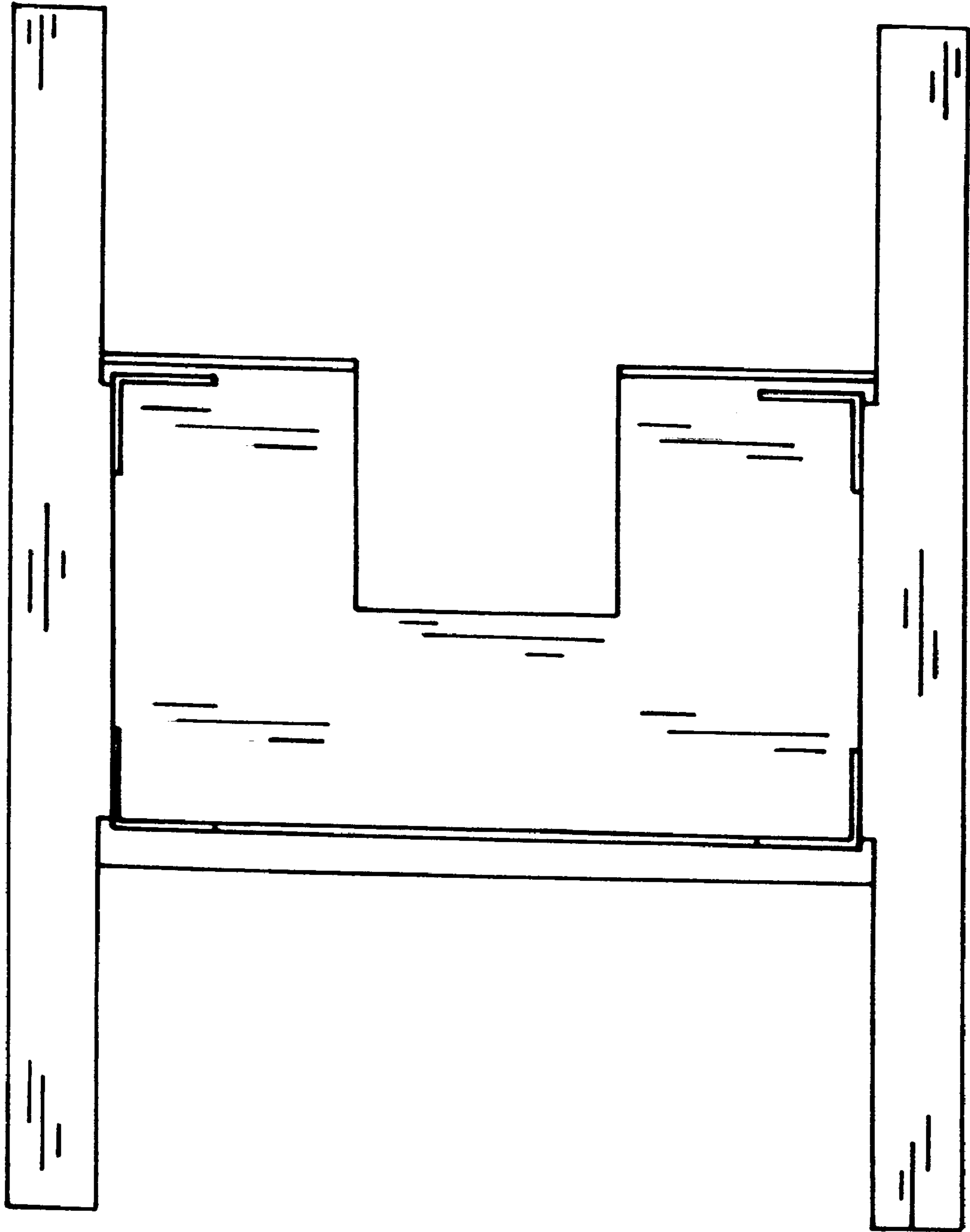


FIG. 8