



US00D429277S

# United States Patent [19]

Bishop et al.

[11] Patent Number: **Des. 429,277**

[45] Date of Patent: **\*\* Aug. 8, 2000**

[54] **TOP AND SIDES OF A FRONT COVER FOR A PRINTER**

[75] Inventors: **David Carl Bishop**, Versailles; **John Wayne Gasset**, Lexington, both of Ky.

[73] Assignee: **Lexmark International, Inc.**, Lexington, Ky.

[\*\*] Term: **14 Years**

[21] Appl. No.: **29/088,856**

[22] Filed: **Jun. 2, 1998**

[51] **LOC (7) Cl.** ..... **14-02**

[52] **U.S. Cl.** ..... **D18/50**

[58] **Field of Search** ..... D18/50, 54-55, D18/36, 37, 39, 56; 400/613, 613.1-613.4, 691-694, 690.1-690.4

### [56] References Cited

#### U.S. PATENT DOCUMENTS

D. 290,952	7/1987	Price	.....	D18/56
D. 291,094	7/1987	Nakade	.....	D18/55
D. 335,302	5/1993	Quedenfeld	.....	D18/56
D. 339,158	9/1993	Sato	.....	D18/50
D. 340,065	10/1993	Fukuda	.....	D18/50
D. 369,617	5/1996	Sato	.....	D18/54

D. 369,826	5/1996	Ichiyoshi	.....	D18/50
D. 370,690	6/1996	Pangburn et al.	.....	D18/56
D. 382,589	8/1997	Girard et al.	.....	D18/56
D. 384,097	9/1997	Ito	.....	D18/55
D. 396,053	7/1998	Bishop et al.	.....	D18/50
D. 413,352	8/1999	Bishop et al.	.....	D18/55
D. 413,921	9/1999	Gasset et al.	.....	D18/56

*Primary Examiner*—Cathy Anne MacCormac  
*Attorney, Agent, or Firm*—John A. Brady

### [57] CLAIM

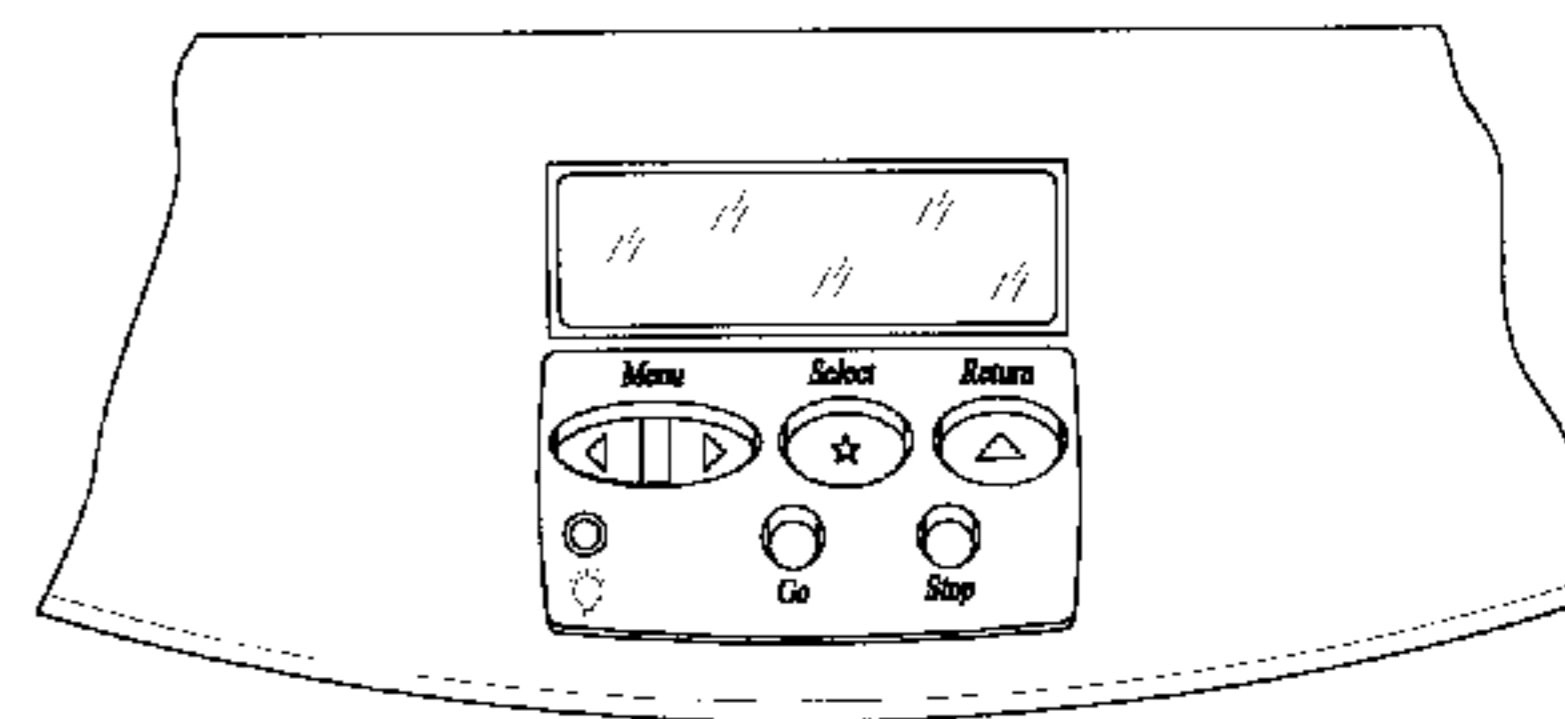
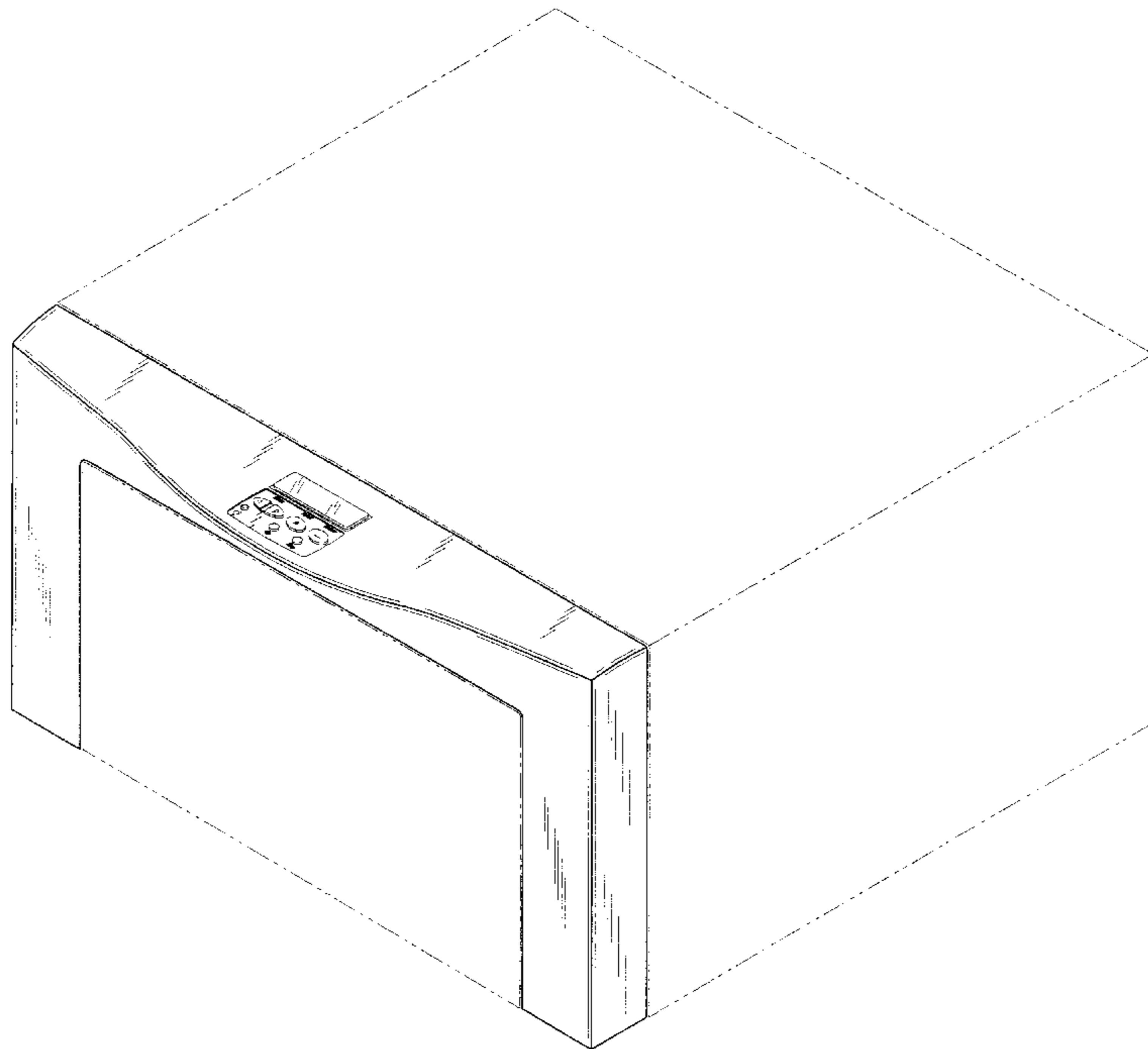
The ornamental design for a top and sides of a front cover for a printer, as shown and described.

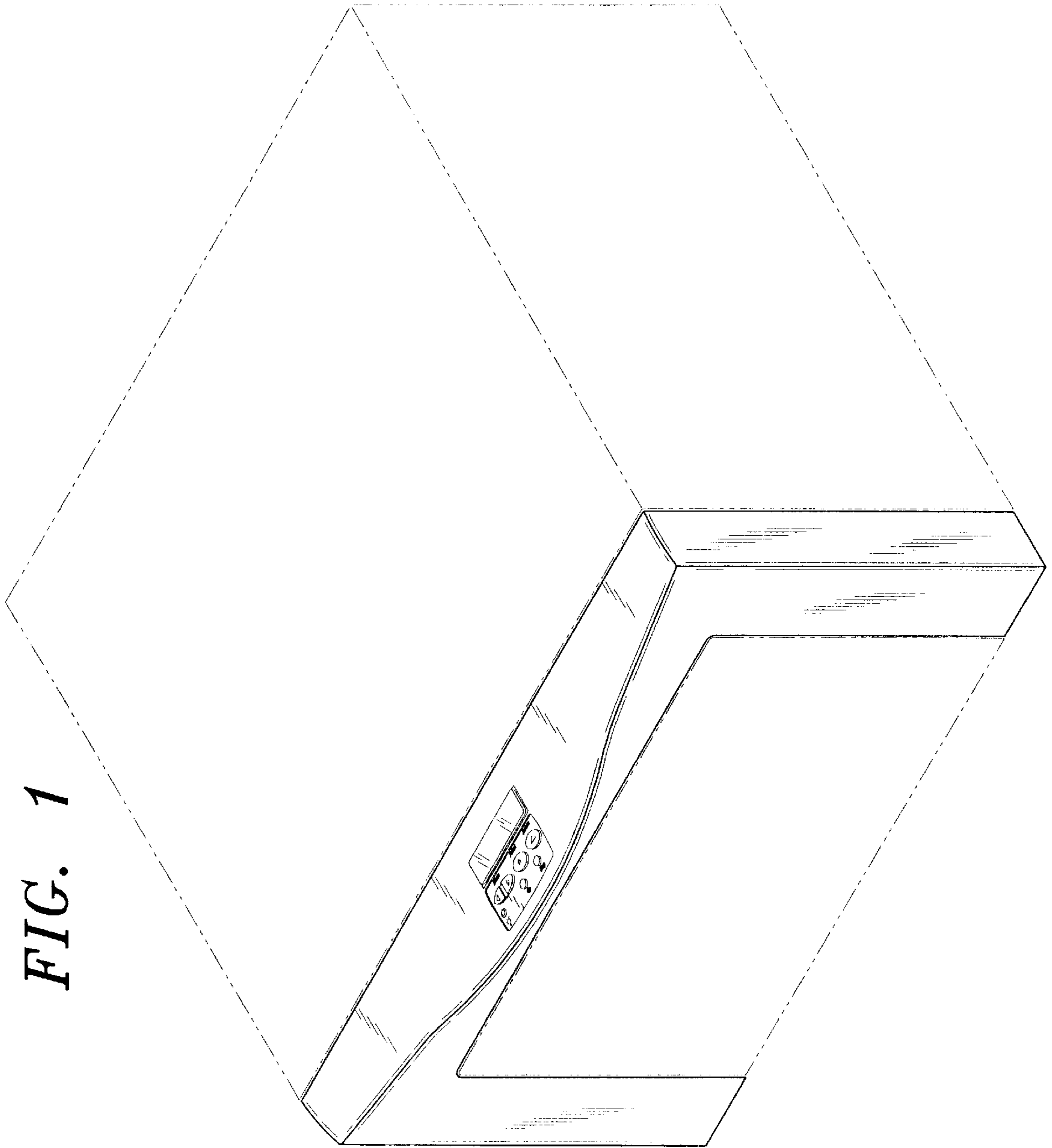
### DESCRIPTION

FIG. 1 is a right side perspective view of a top and sides of a front cover for a printer showing our new design, the broken lines are for a printer being for illustrative purposes only and form no part of the claimed design; FIG. 2 is a front view thereof; FIG. 3 is a top view thereof; FIG. 4 is a right side view thereof; FIG. 5 is a left side view thereof; and, FIG. 6 is an enlarged view of the operator panel as seen in FIG. 3.

The bottom of the embodiment is not being claimed.

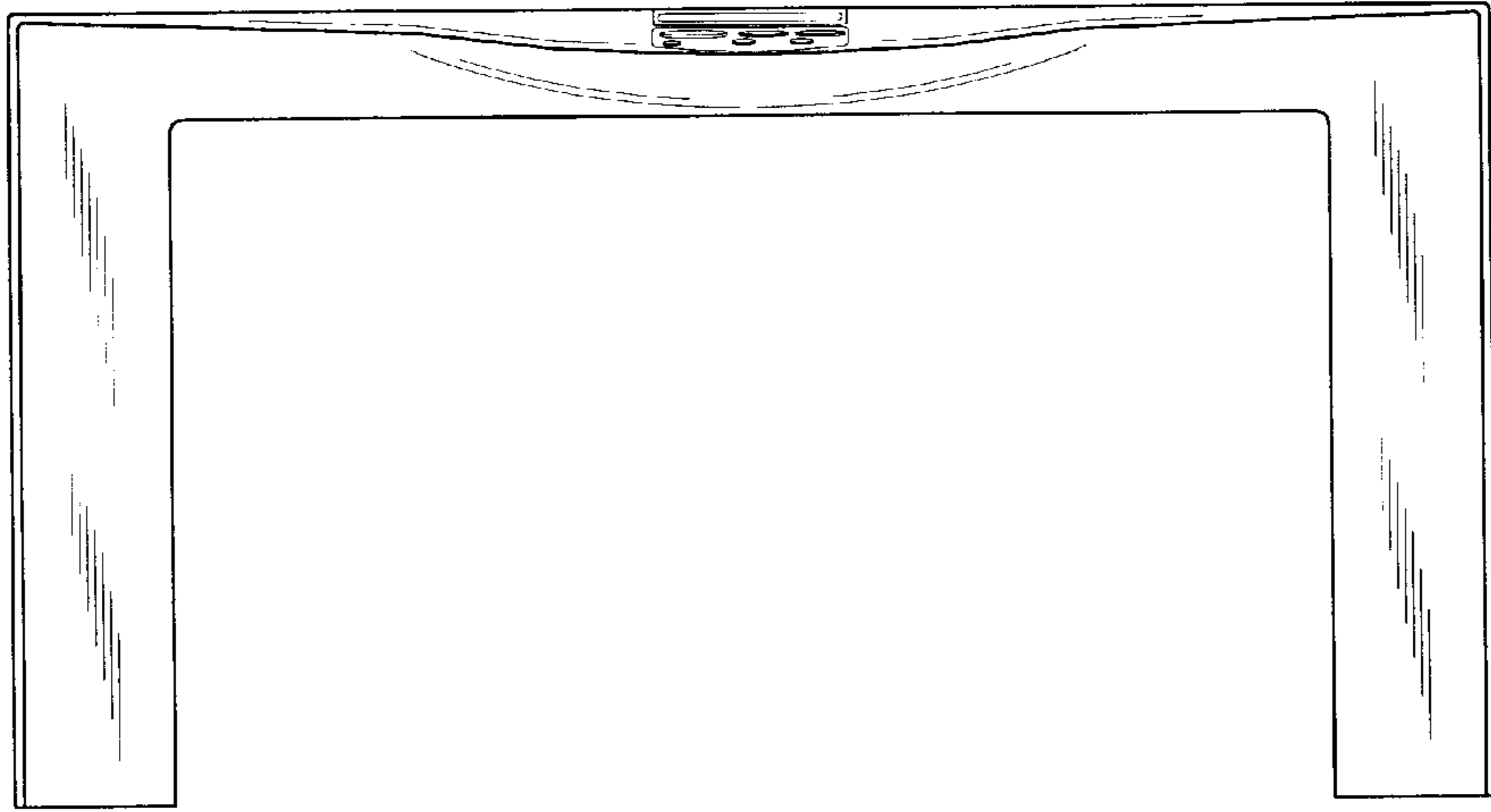
**1 Claim, 3 Drawing Sheets**



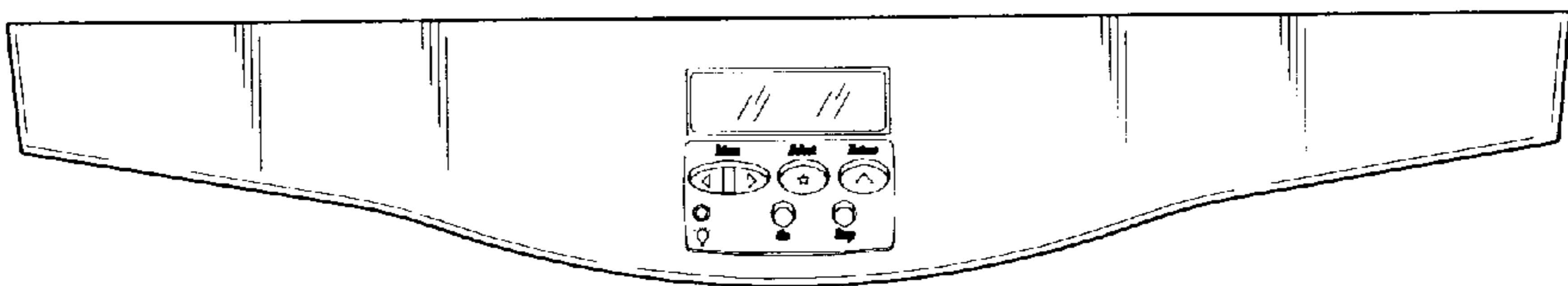


*FIG. 1*

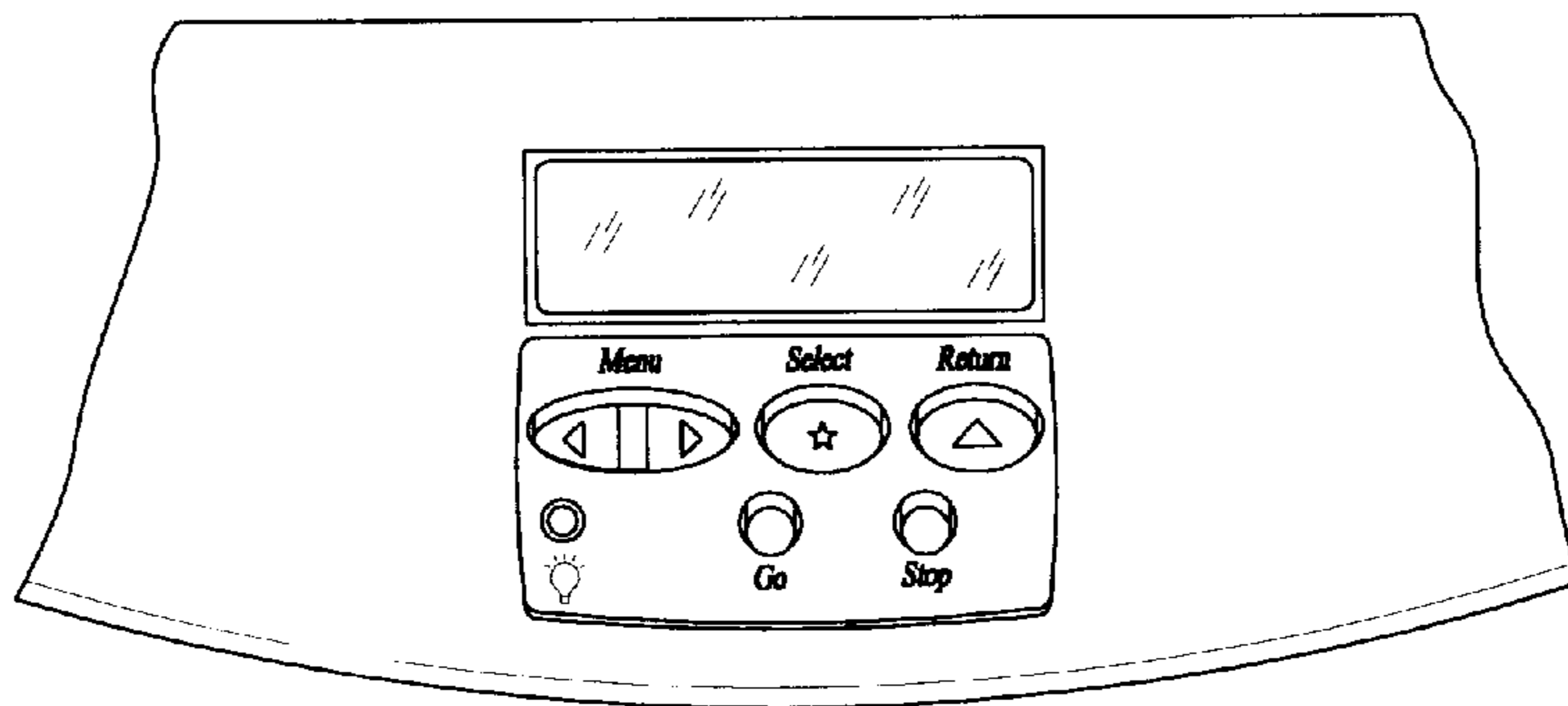
*FIG. 2*



*FIG. 3*



*FIG. 6*



*FIG. 4*



*FIG. 5*

