



US00D429276S

# United States Patent [19]

Kabumoto et al.

[11] Patent Number: **Des. 429,276**

[45] Date of Patent: **\*\* Aug. 8, 2000**

[54] **AUTOMATIC DOCUMENT FEEDER FOR ELECTRONIC COPYING MACHINE**

[75] Inventors: **Masaaki Kabumoto**, Chiba; **Kazuyoshi Yamada**, Kanagawa; **Yoshihisa Minakawa**, Tokyo; **Taijiroh Sueishi**; **Goroh Katsuyama**, both of Kanagawa, all of Japan

[73] Assignee: **Ricoh Company, Ltd.**, Tokyo, Japan

[\*\*] Term: **14 Years**

[21] Appl. No.: **29/106,447**

[22] Filed: **Jun. 17, 1999**

[30] **Foreign Application Priority Data**

Dec. 18, 1998 [JP] Japan ..... 10-036779

[51] **LOC (7) Cl.** ..... **18-99**

[52] **U.S. Cl.** ..... **D18/49**

[58] **Field of Search** ..... D18/36-40, 46, D18/49; 399/361, 363, 364, 365, 381, 393, 405; 271/3.14, 8.1

[56] **References Cited**

**U.S. PATENT DOCUMENTS**

D. 328,758 8/1992 Isomoto ..... D18/49

D. 329,455 9/1992 Sugihara et al. .... D18/49  
D. 350,769 9/1994 Hattori et al. .... D18/49  
D. 374,457 10/1996 Naruki ..... D18/49  
D. 403,698 1/1999 Kobayashi et al. .... D18/49

*Primary Examiner*—Caron D. Veynar  
*Attorney, Agent, or Firm*—Dickstein Shapiro Morin & Oshinsky LLP

[57] **CLAIM**

The ornamental design for the automatic document feeder for electronic copying machine, as shown and described.

**DESCRIPTION**

FIG. 1 is a top, front and left side perspective view of an automatic document feeder for an electronic copying machine showing our new design; FIG. 2 is a front elevation view thereof; FIG. 3 is a rear elevation view thereof; FIG. 4 is a left side elevation view thereof; FIG. 5 is a right side elevation view thereof; FIG. 6 is a top elevation view thereof; FIG. 7 is a bottom elevation view thereof; FIG. 8 is a top, front and left side perspective view thereof, the broken line showing of an electronic copying machine is for illustrative purposes only and forms no part of the claimed design.

**1 Claim, 3 Drawing Sheets**

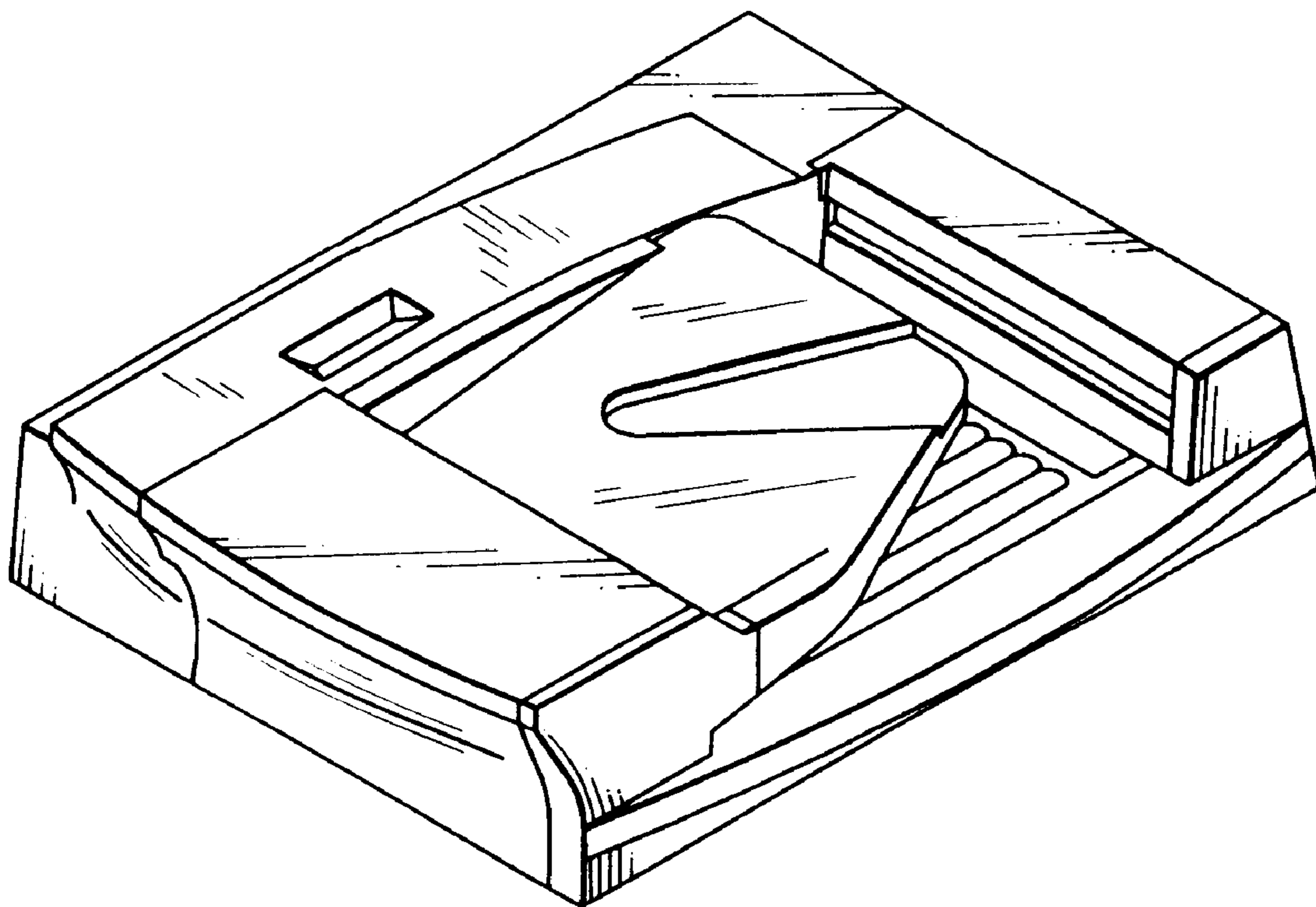


FIG. 1

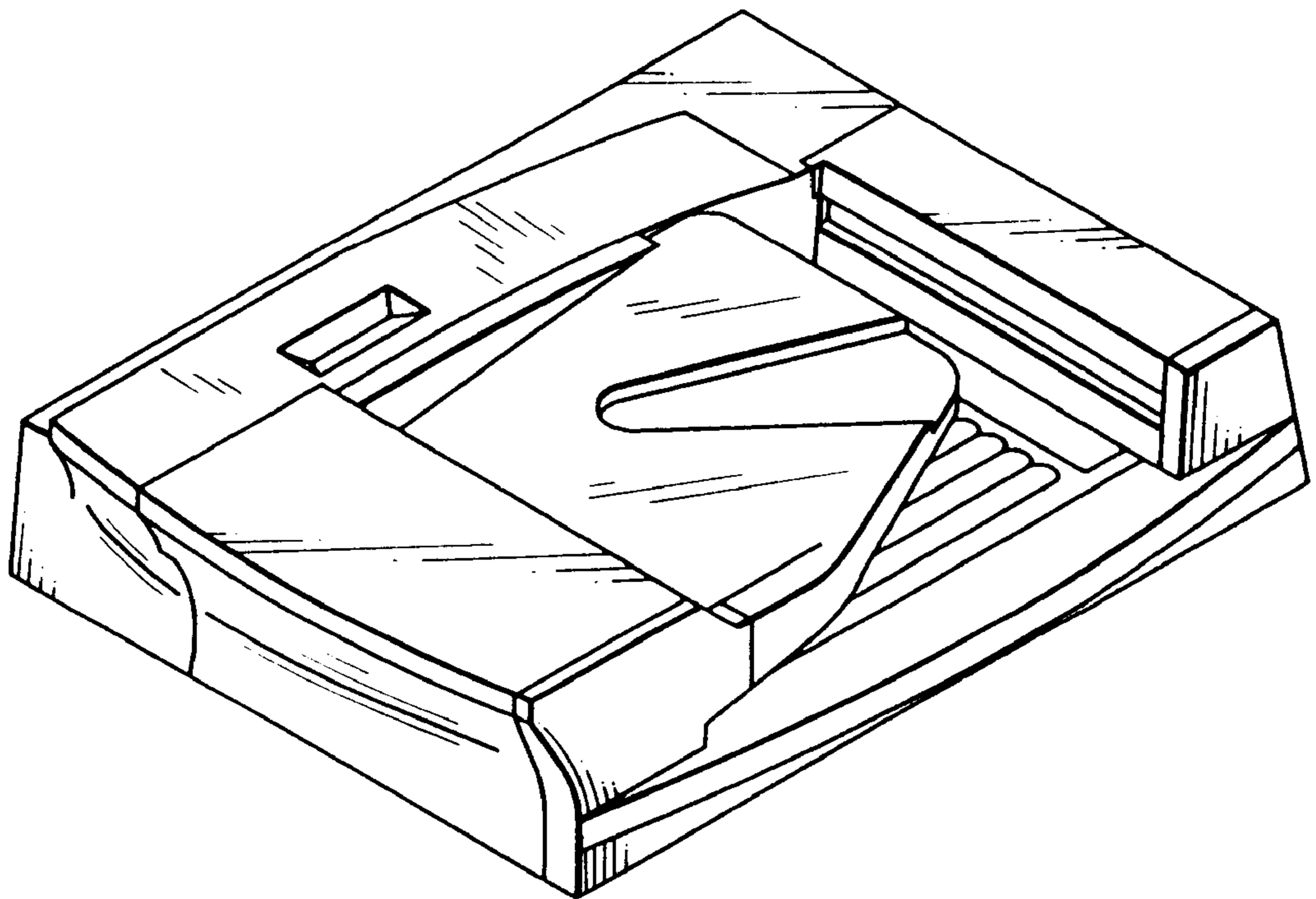


FIG. 2

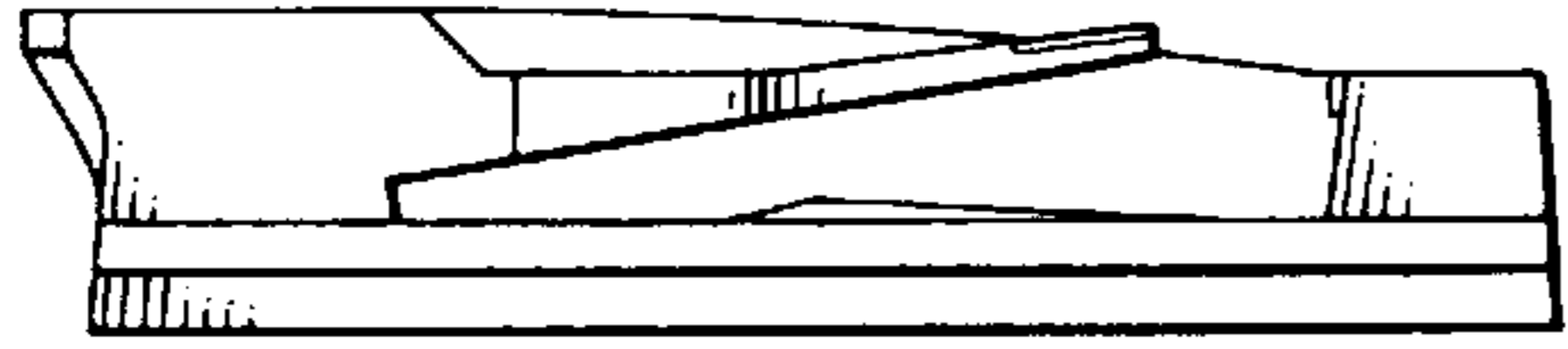


FIG. 3

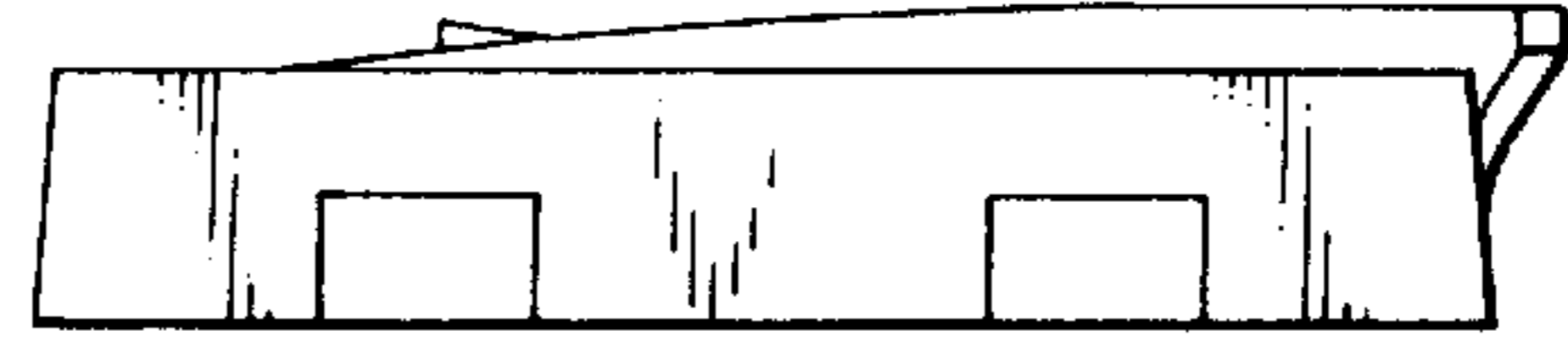


FIG. 4

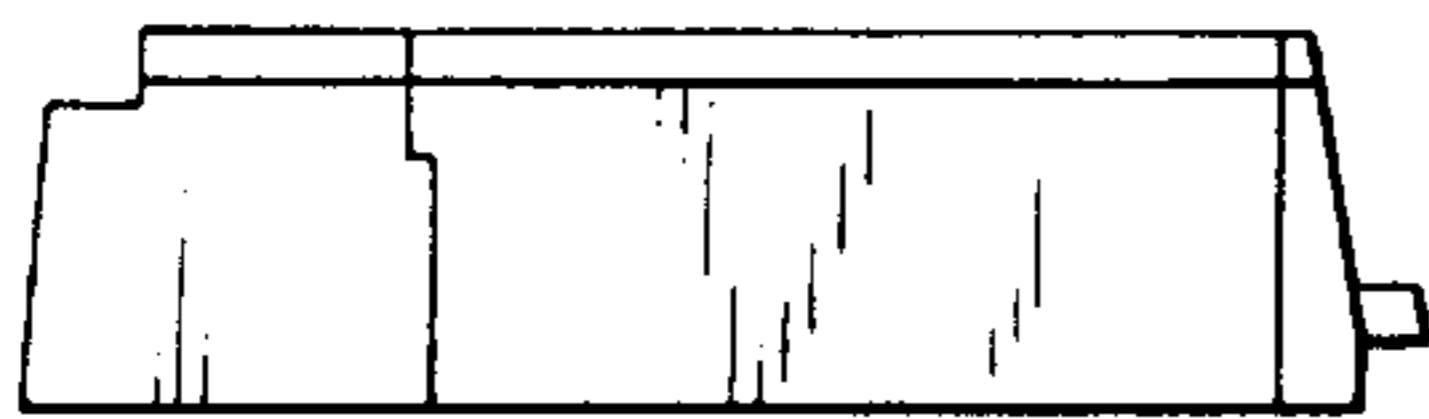


FIG. 5



FIG. 6

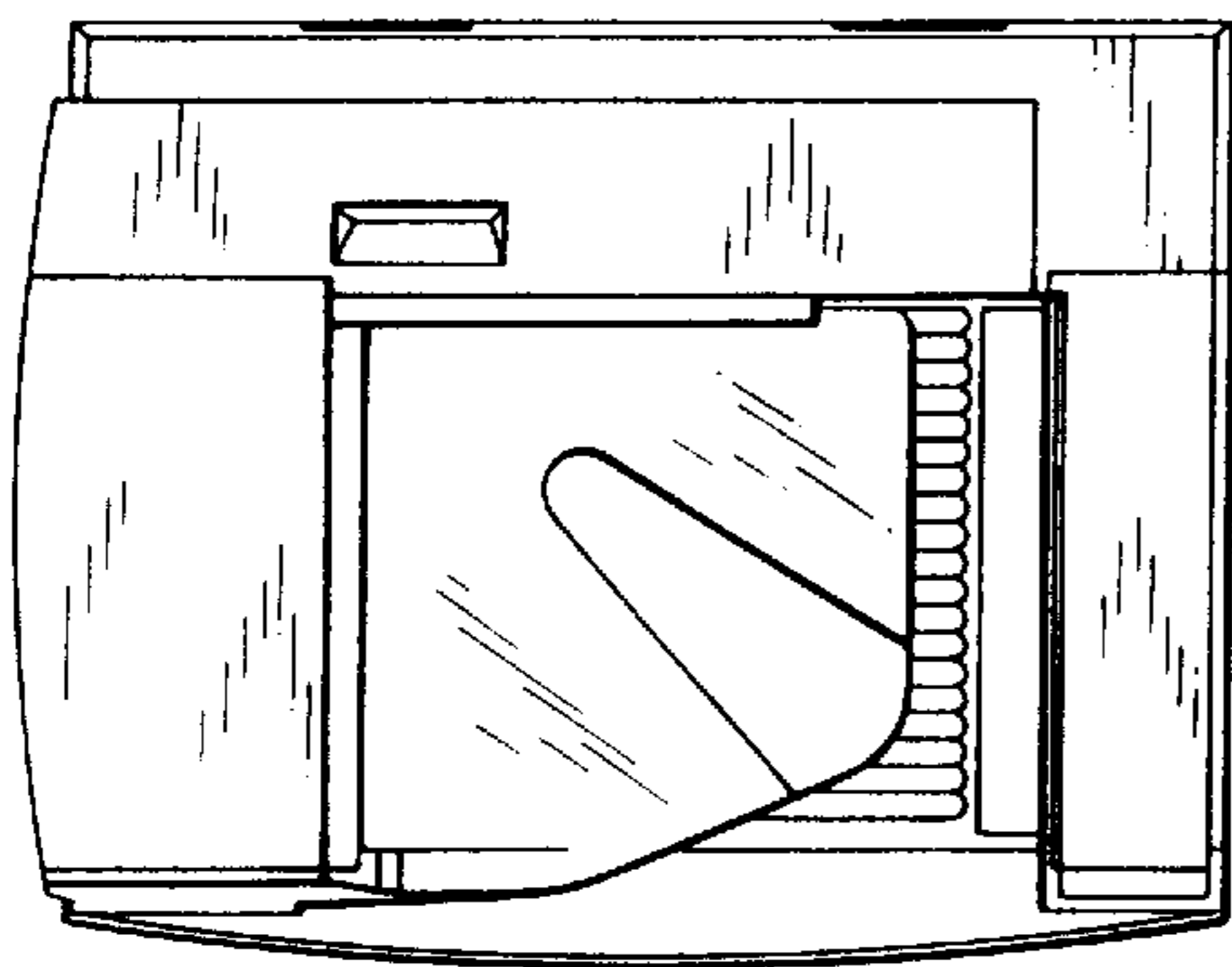
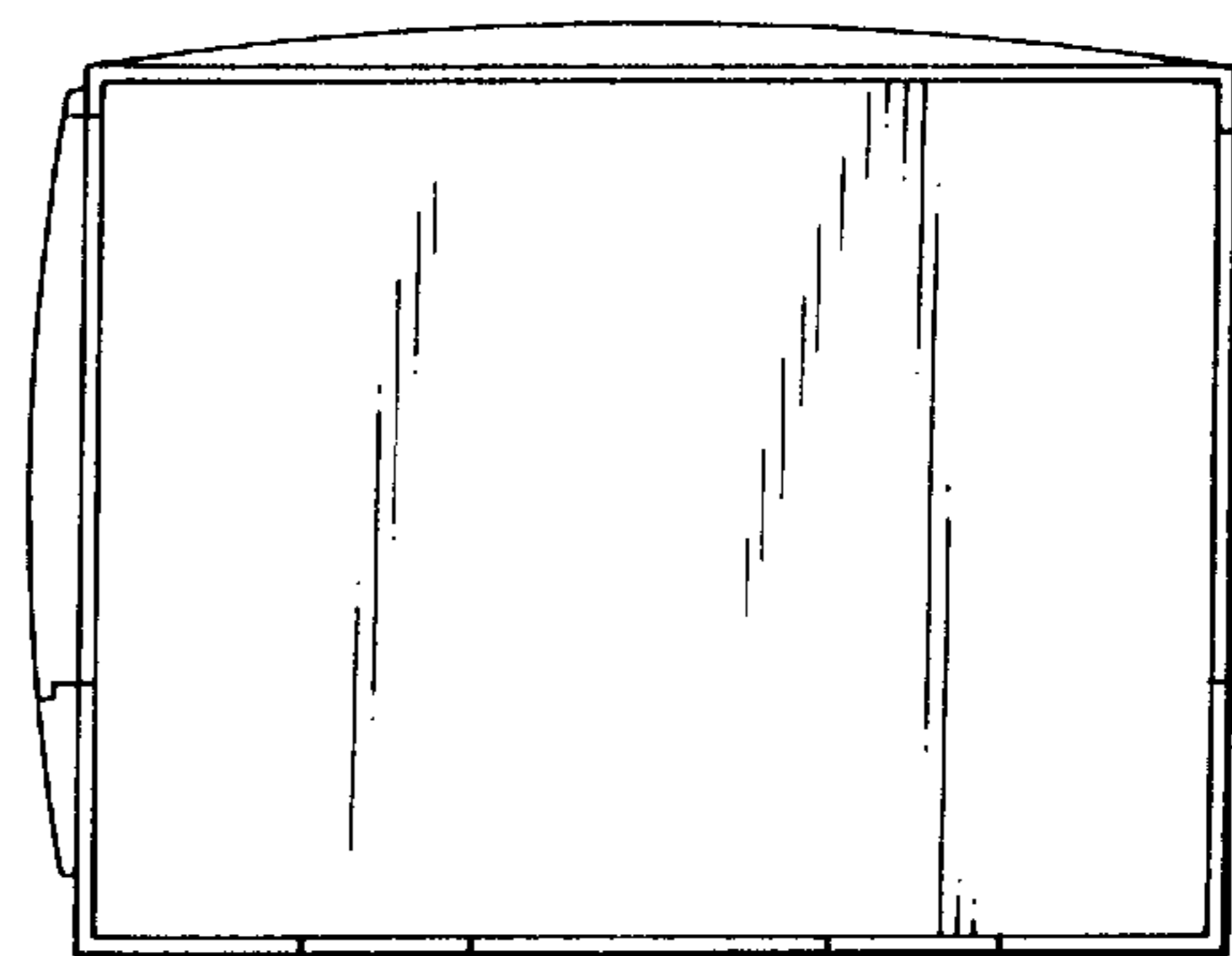


FIG. 7



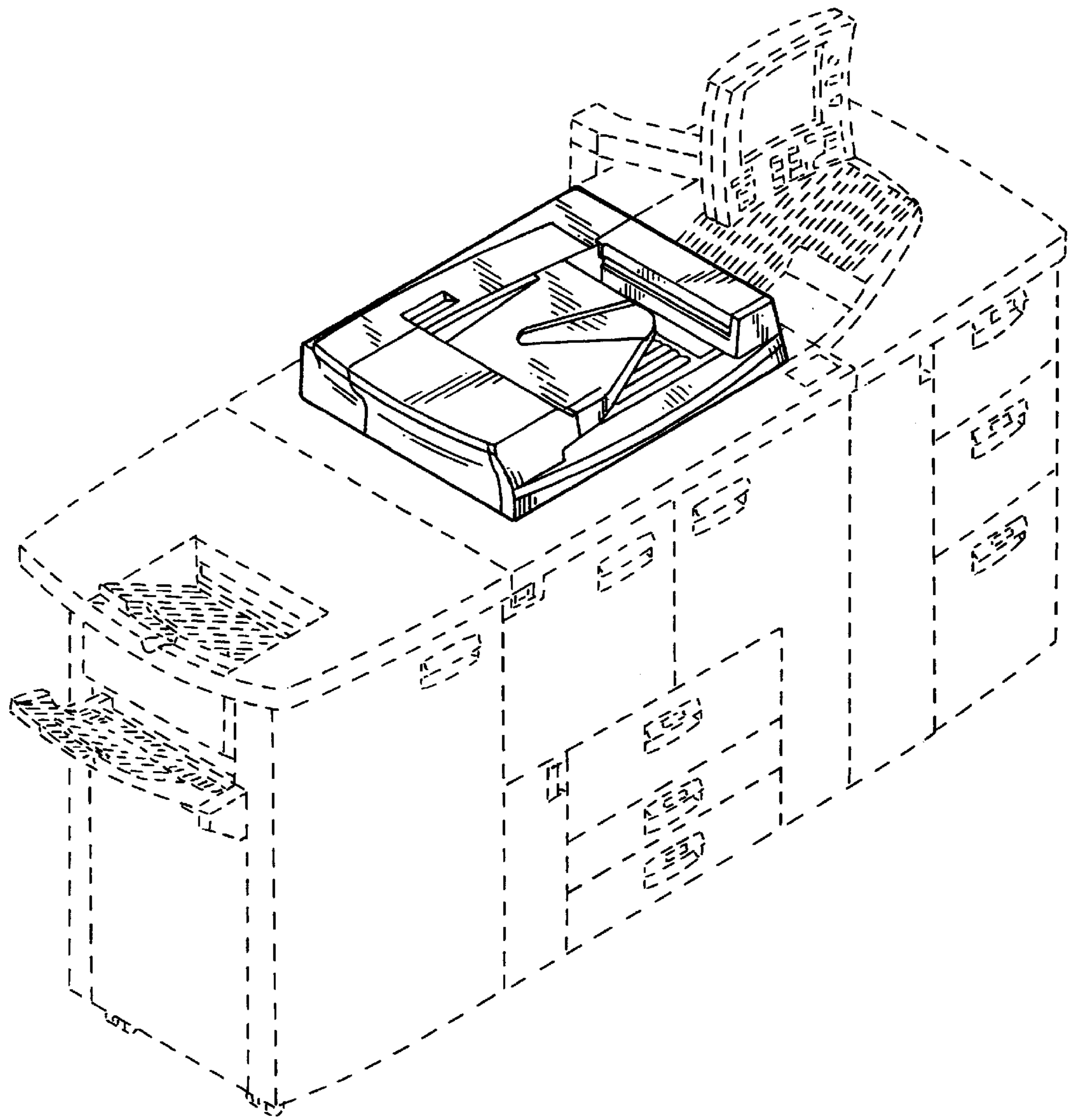


FIG. 8