



US00D429275S

United States Patent [19]

[11] **Patent Number: Des. 429,275**

Kabumoto et al.

[45] **Date of Patent: ** Aug. 8, 2000**

[54] **STACKER FOR ELECTRONIC COPYING MACHINE**

D. 377,944 2/1997 Seki et al. D18/39
D. 390,591 2/1998 Okamoto et al. D18/39
D. 394,084 5/1998 Nagata et al. D18/47

[75] Inventors: **Masaaki Kabumoto**, Chiba; **Kazuyoshi Yamada**, Kanagawa; **Yoshihisa Minakawa**, Tokyo; **Taijiroh Sueishi**; **Goroh Katsuyama**, both of Kanagawa, all of Japan

Primary Examiner—Caron D. Veynar
Attorney, Agent, or Firm—Dickstein Shapiro Morin & Oshinsky LLP

[73] Assignee: **Ricoh Company, Ltd.**, Tokyo, Japan

[57] **CLAIM**

[**] Term: **14 Years**

The ornamental design for the stacker for electronic copying machine, as shown and described.

[21] Appl. No.: **29/106,445**

DESCRIPTION

[22] Filed: **Jun. 17, 1999**

FIG. 1 is a top, front and left side perspective view of a stacker for an electronic copying machine showing our new design;

[30] **Foreign Application Priority Data**

Dec. 18, 1998 [JP] Japan 10-36777

FIG. 2 is a front elevation view thereof;

FIG. 3 is a rear elevation view thereof;

[51] **LOC (7) Cl.** **18-99**

FIG. 4 is a top elevation view thereof;

[52] **U.S. Cl.** **D18/47**

FIG. 5 is a bottom elevation view thereof;

[58] **Field of Search** D18/36-40, 46-48;
399/361, 381, 393, 405, 404; 271/3.14,
278, 279

FIG. 6 is a left side elevation view thereof;

FIG. 7 is a right side elevation view thereof; and,

FIG. 8 is a top, front and left side perspective view thereof, the broken line showing of an electronic copying machine is for illustrative purposes only and forms no part of the claimed design.

[56] **References Cited**

U.S. PATENT DOCUMENTS

D. 334,400 3/1993 Penke et al. D18/39

1 Claim, 4 Drawing Sheets

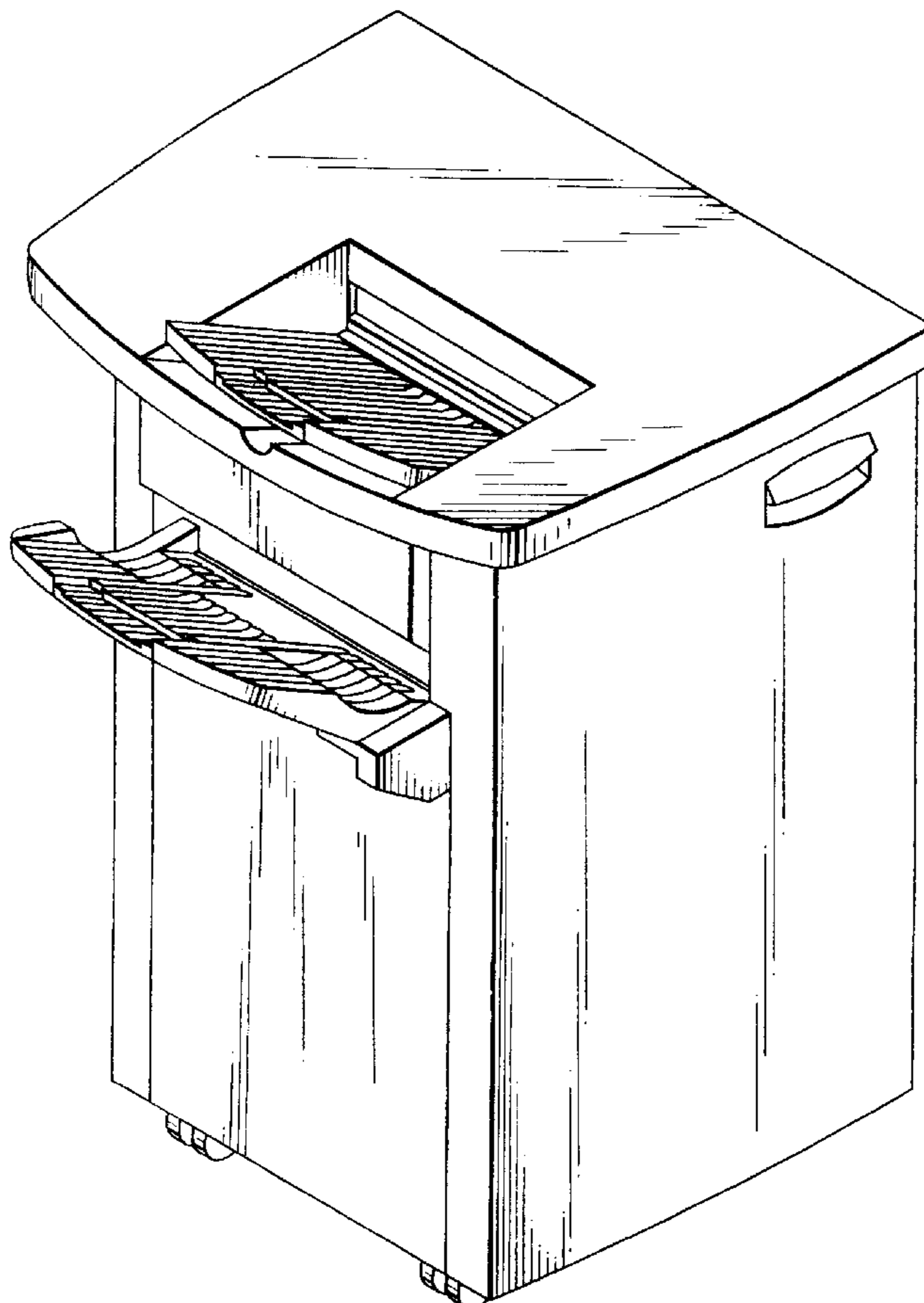


FIG. 1

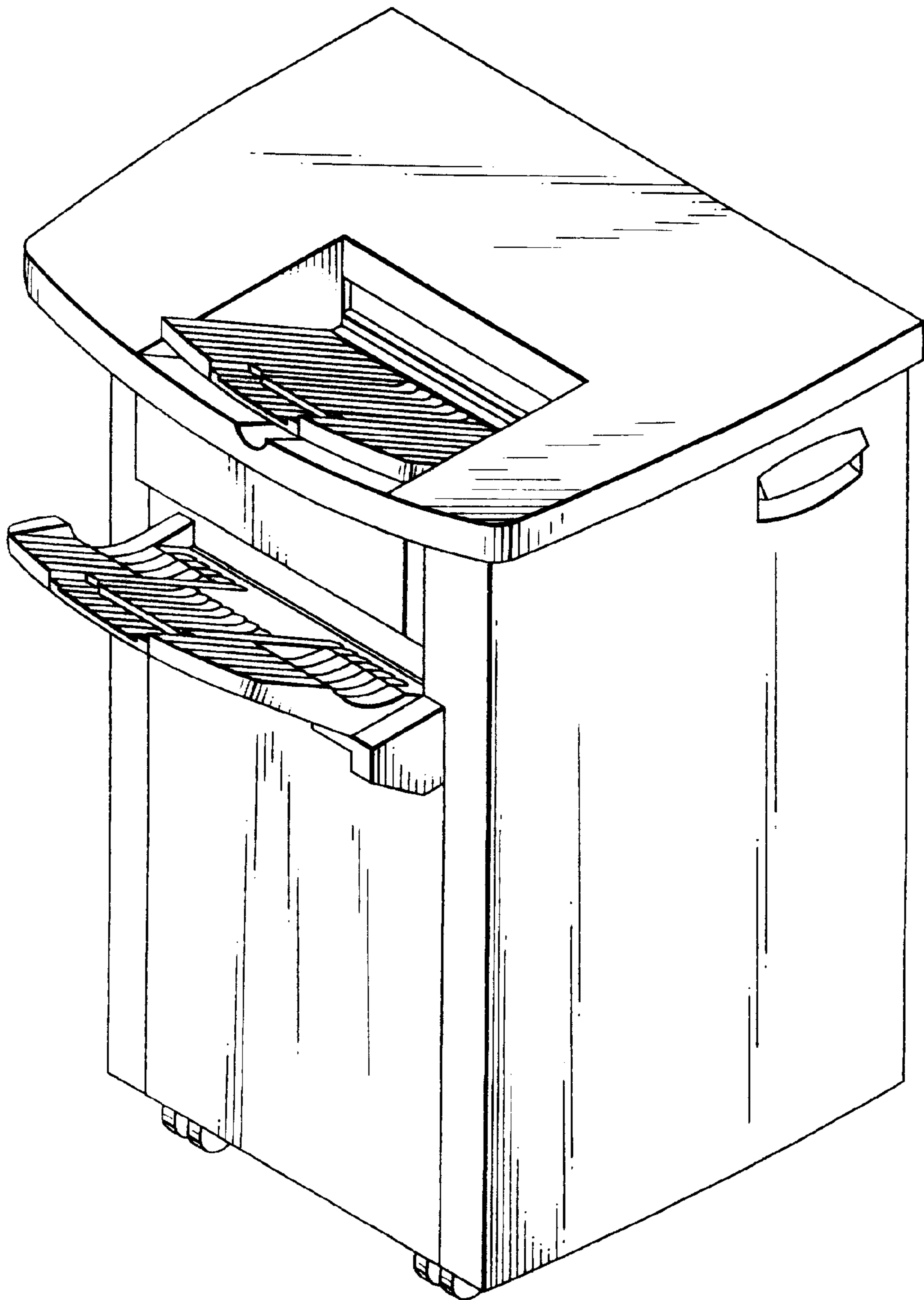


FIG. 2

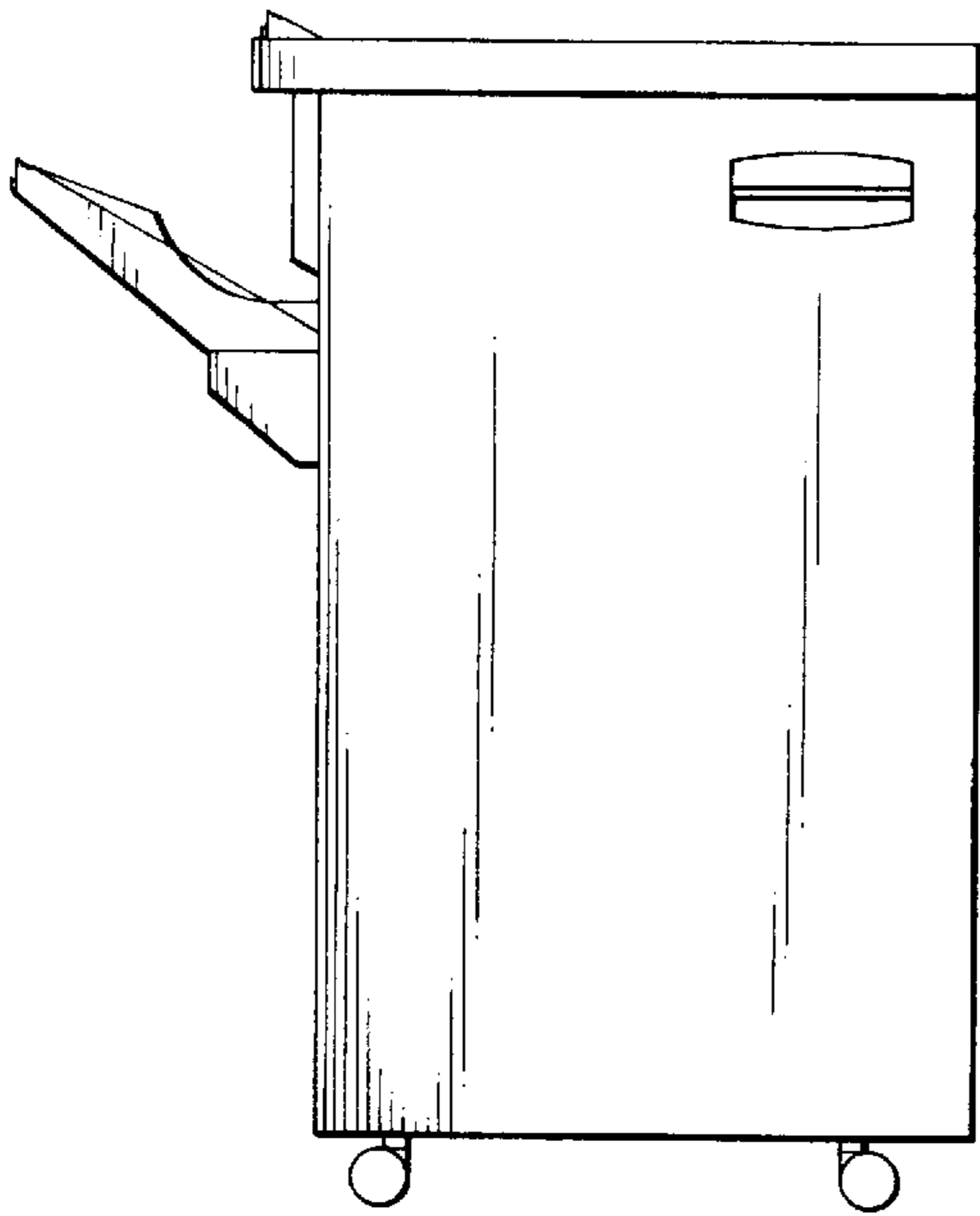


FIG. 3

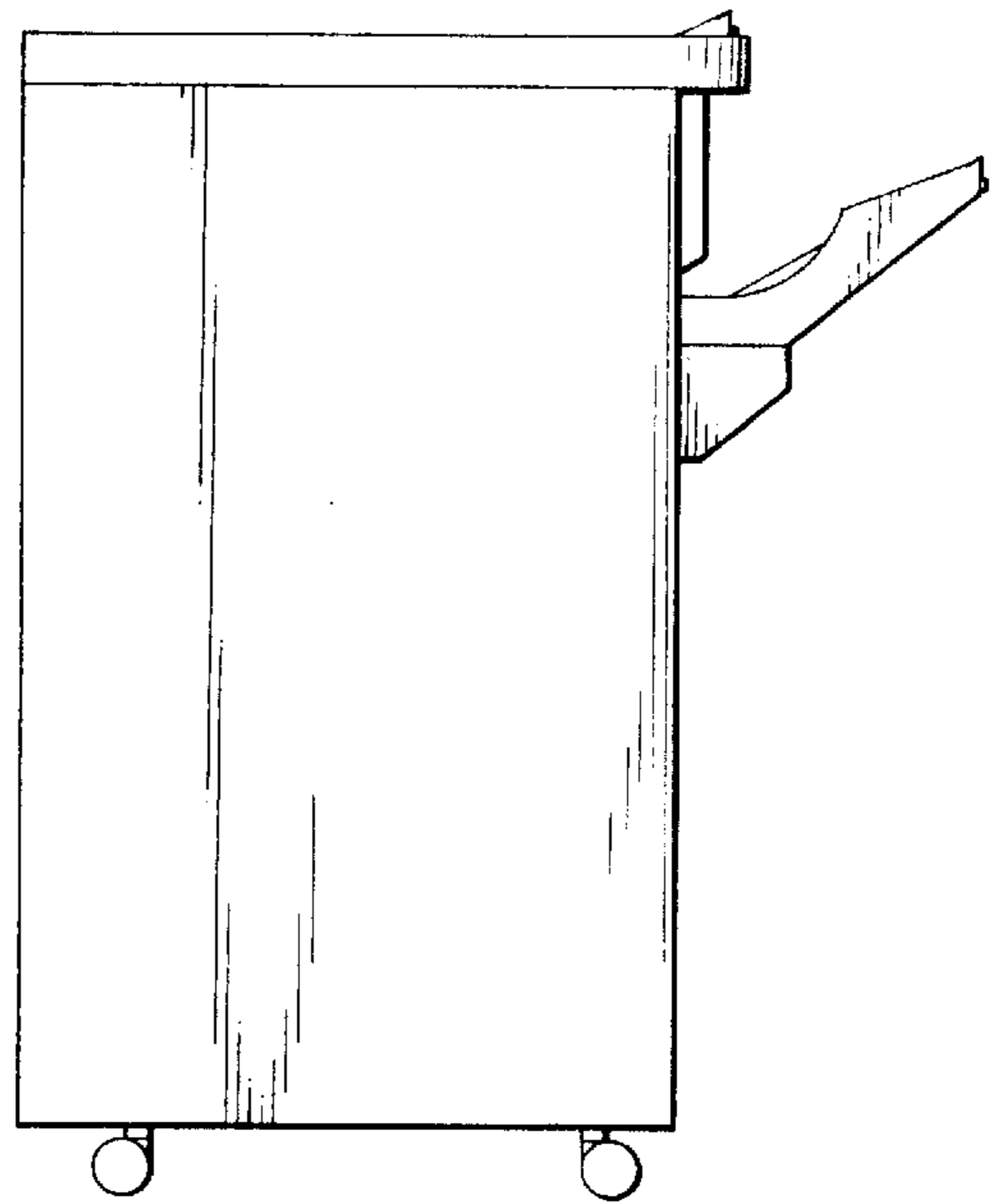


FIG. 4

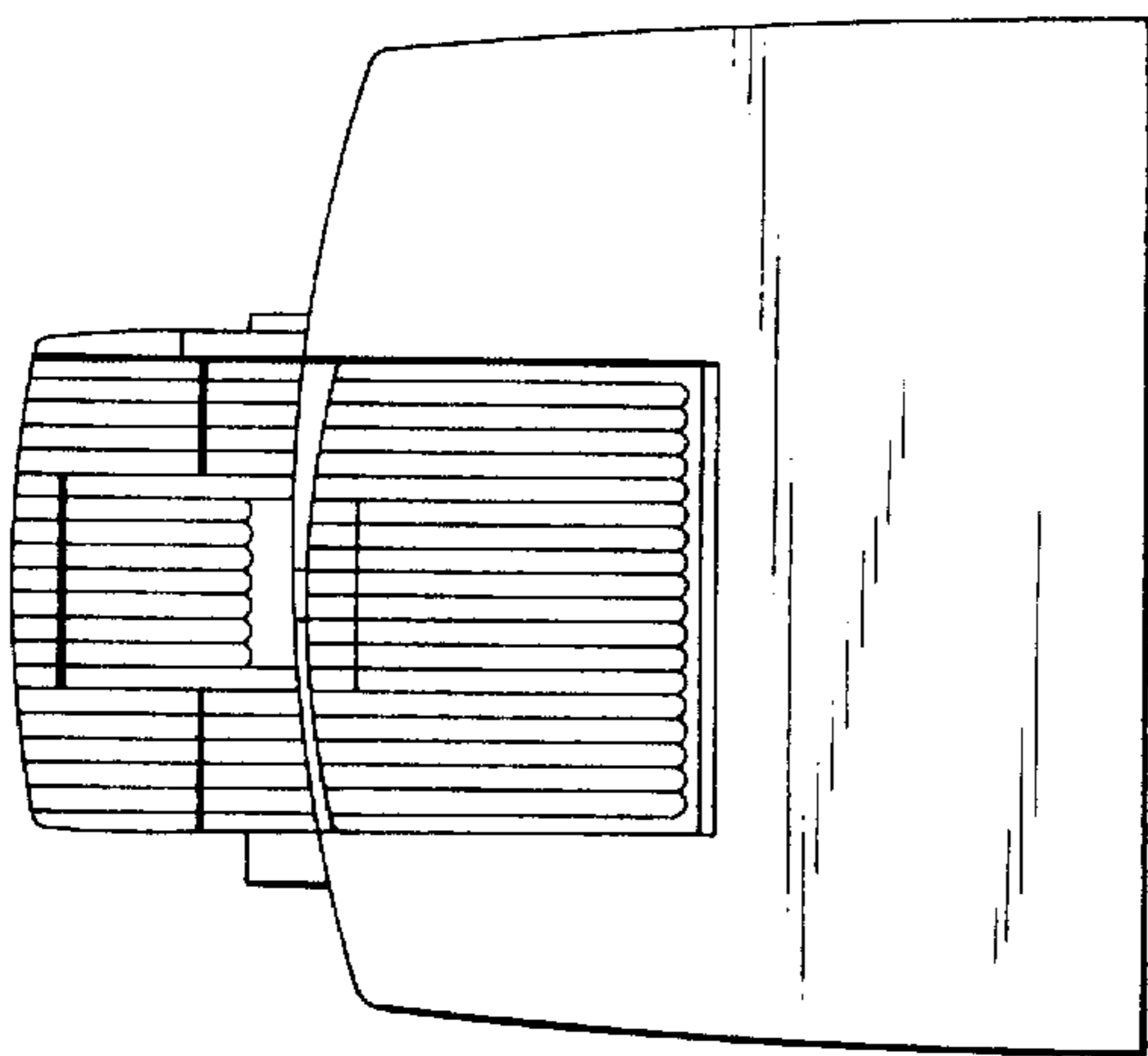


FIG. 5

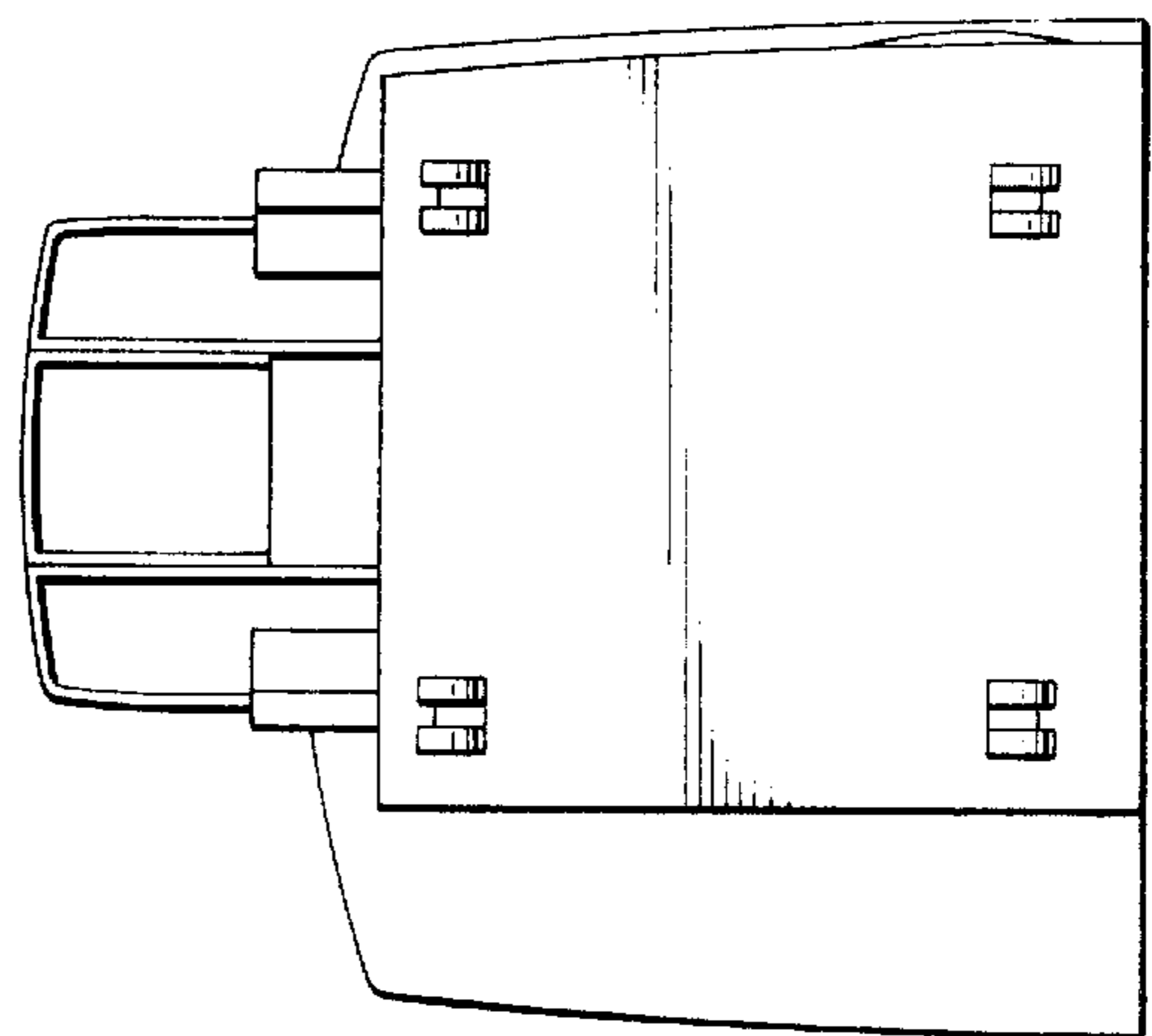


FIG. 6

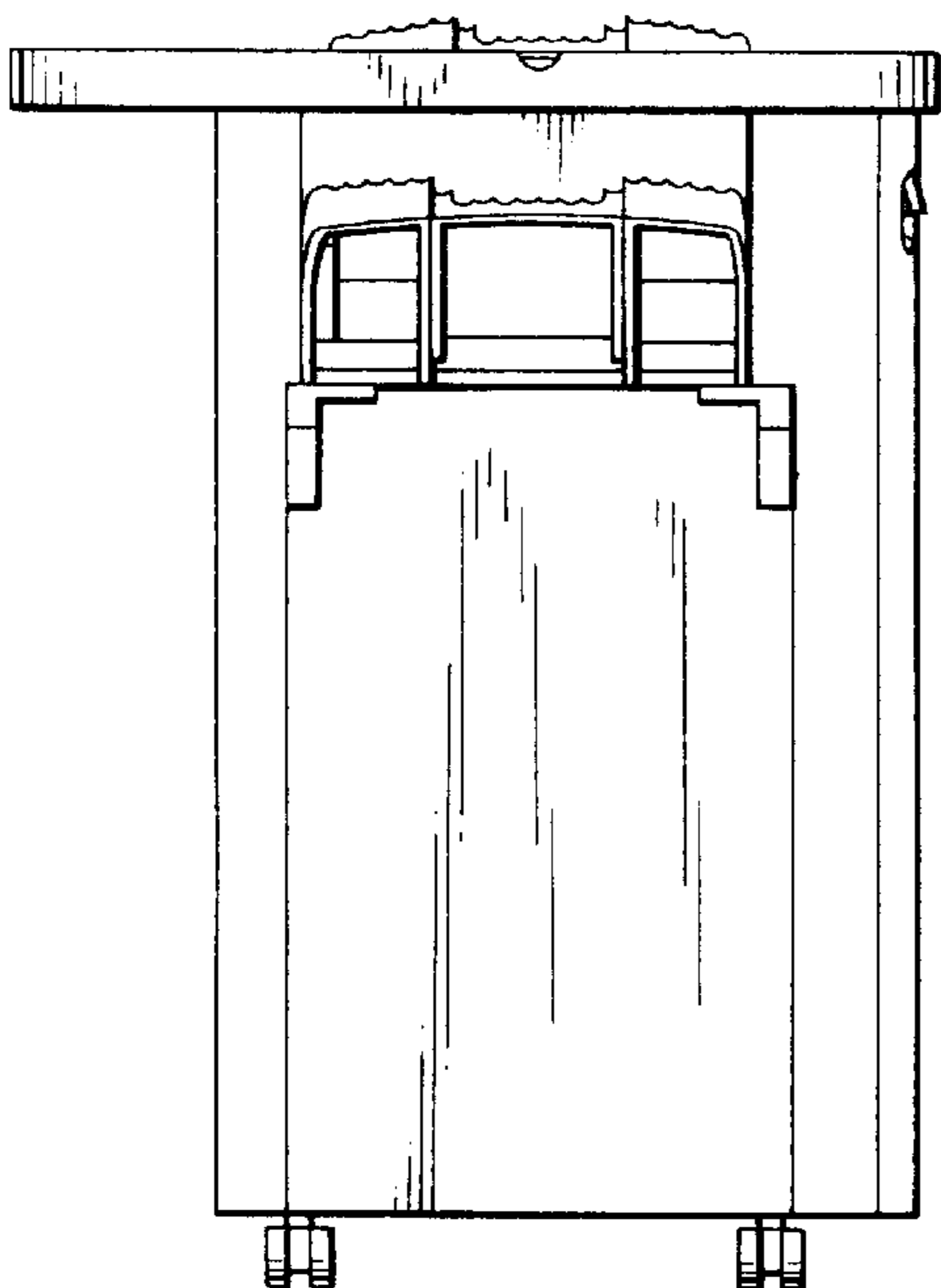
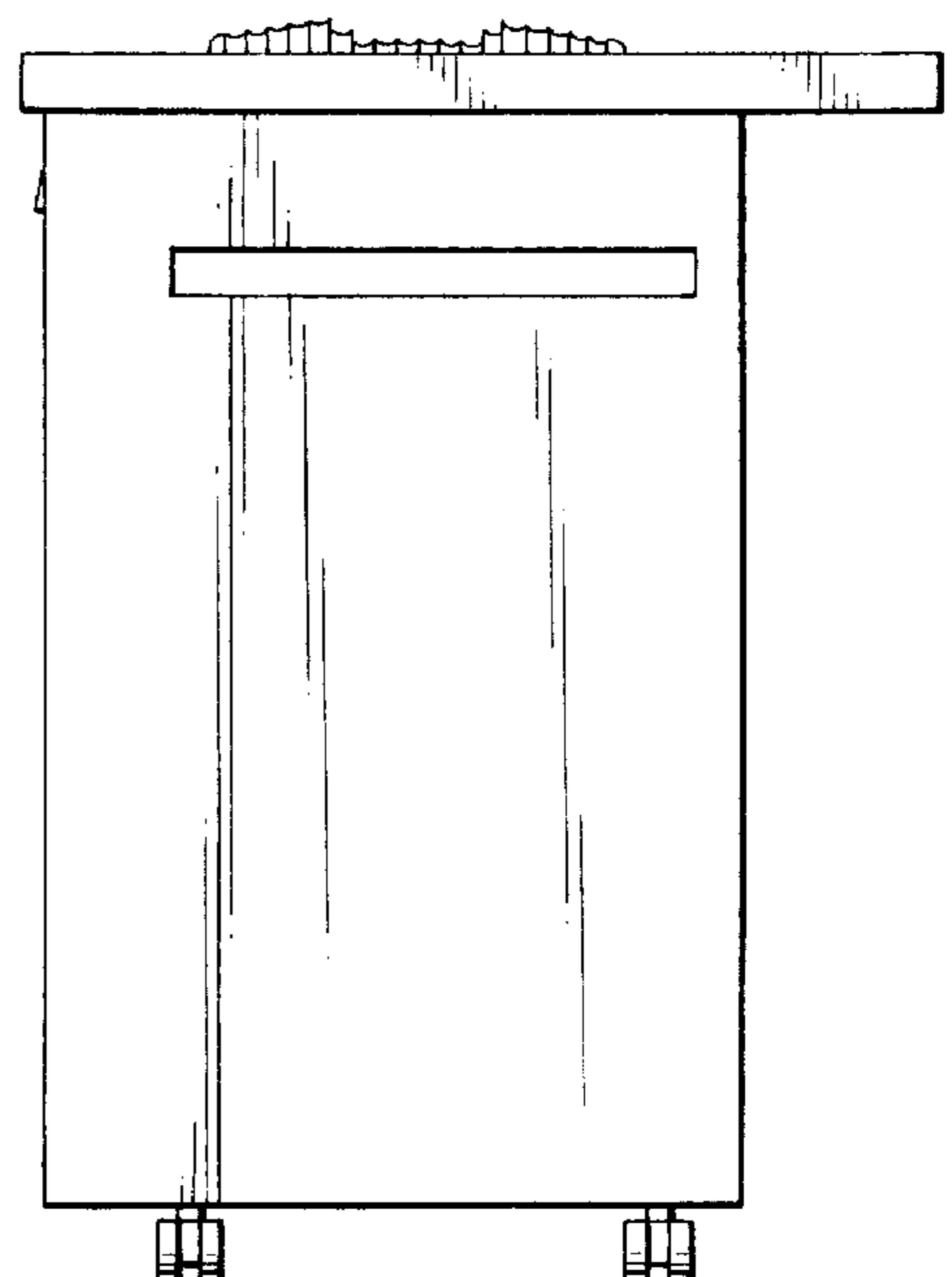


FIG. 7



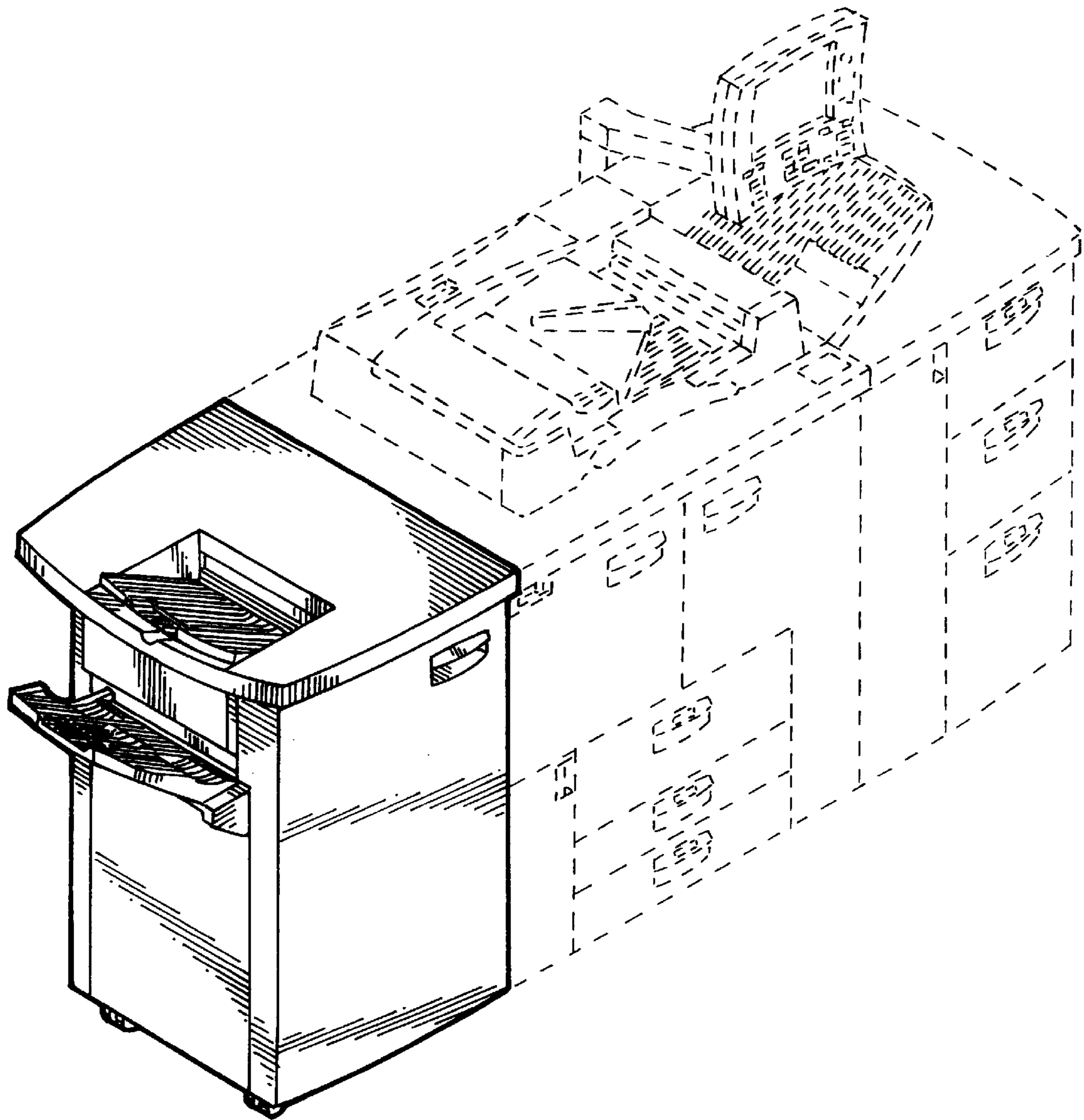


FIG. 8