



US00D429268S

United States Patent [19] Hayashi

[11] Patent Number: **Des. 429,268**

[45] Date of Patent: **** Aug. 8, 2000**

[54] **DIGITAL CAMERA**

[75] Inventor: **Tatsuyuki Hayashi**, Tokyo, Japan

[73] Assignee: **Asahi Kogaku Kogyo Kabushiki Kaisha**, Tokyo, Japan

[**] Term: **14 Years**

[21] Appl. No.: **29/114,593**

[22] Filed: **Nov. 30, 1999**

[30] Foreign Application Priority Data

Aug. 24, 1999 [JP] Japan 11-22558

[51] **LOC (7) Cl.** **16-01**

[52] **U.S. Cl.** **D16/202; D16/211**

[58] **Field of Search** D16/200-206,
D16/208, 209, 211, 212, 216-218; 358/906,
909.1; 396/206, 535-541

[56] References Cited

U.S. PATENT DOCUMENTS

D. 403,687 1/1999 Sekita D16/202

D. 408,040 4/1999 Miyahara D16/202
D. 409,213 5/1999 Bae D16/202
D. 415,513 10/1999 Fujii D16/217
4,406,533 9/1983 Yamamoto 396/206

Primary Examiner—Adir Aronovich
Attorney, Agent, or Firm—Sughrue, Mion, Zinn, Macpeak & Seas, PLLC

[57] CLAIM

The ornamental design for a digital camera, as shown and described.

DESCRIPTION

FIG. 1 is a perspective view of the top, front and right side of a digital camera showing my new design;
FIG. 2 is a front elevational view thereof;
FIG. 3 is a top plan view thereof;
FIG. 4 is a bottom plan view thereof;
FIG. 5 is a right side elevational view thereof;
FIG. 6 is a left side elevational view thereof;
FIG. 7 is a rear elevational view thereof; and,
FIG. 8 is a perspective view of the top, rear and left side thereof with the view screen pivoted outwardly.

1 Claim, 4 Drawing Sheets

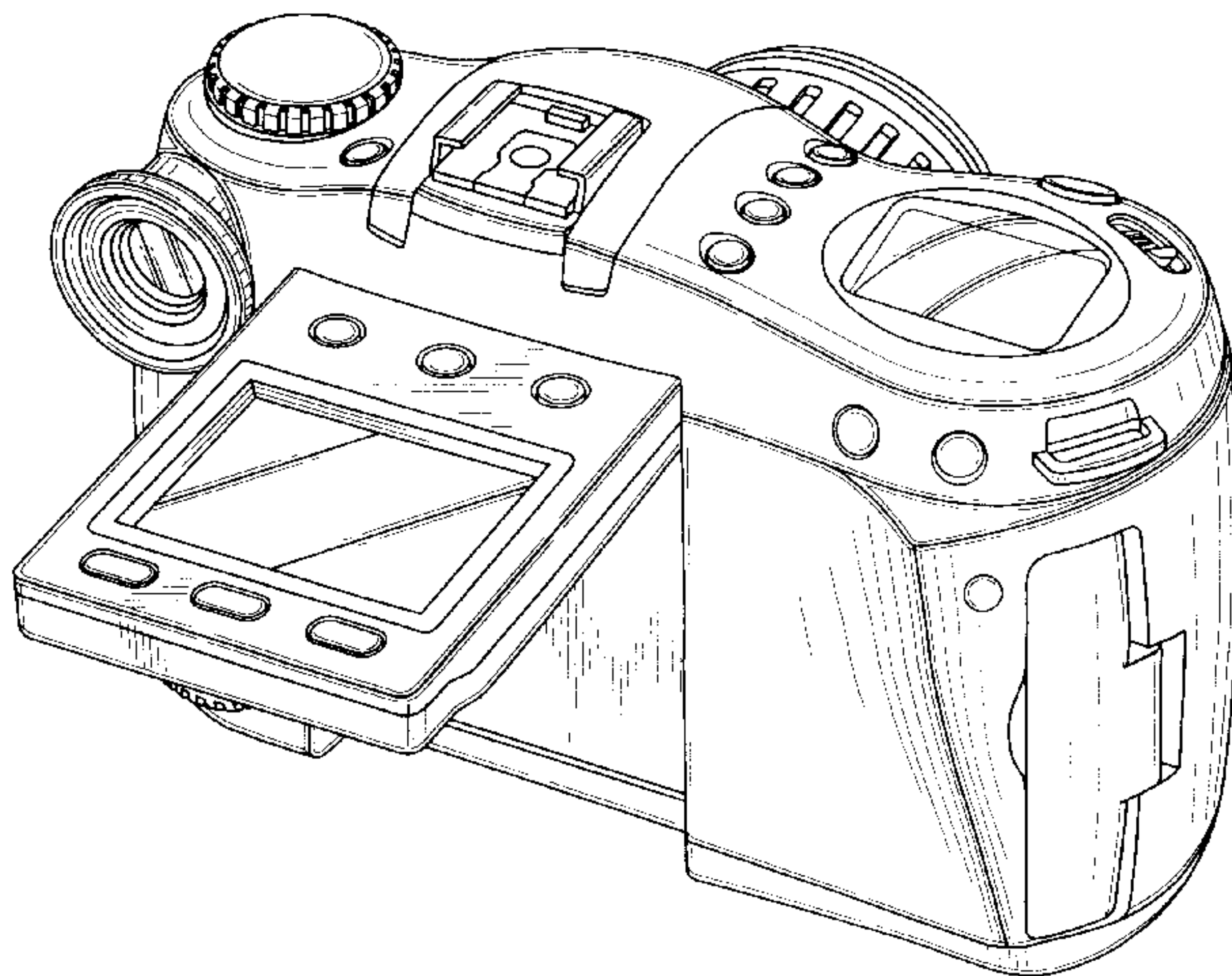
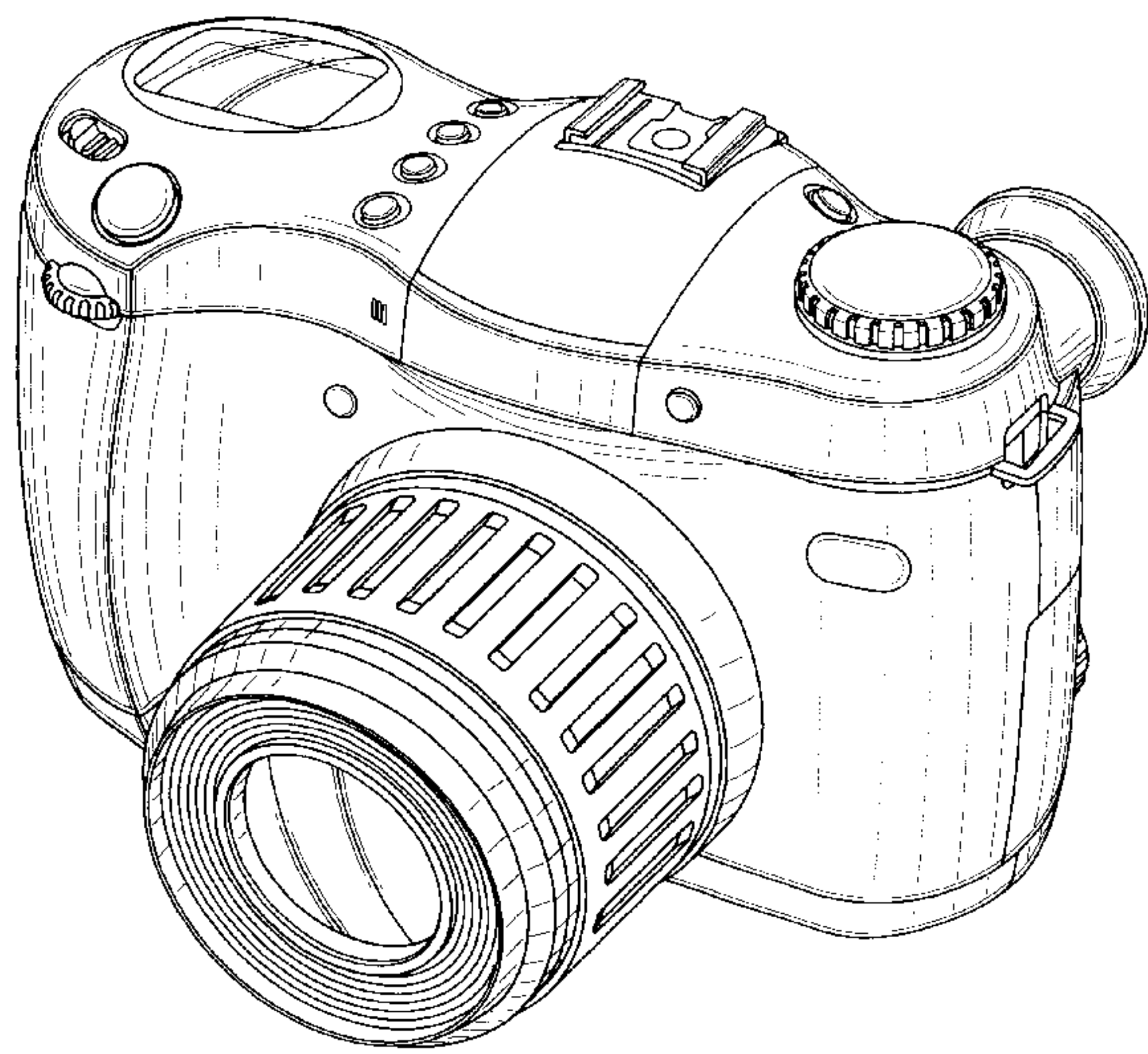


FIG. 1

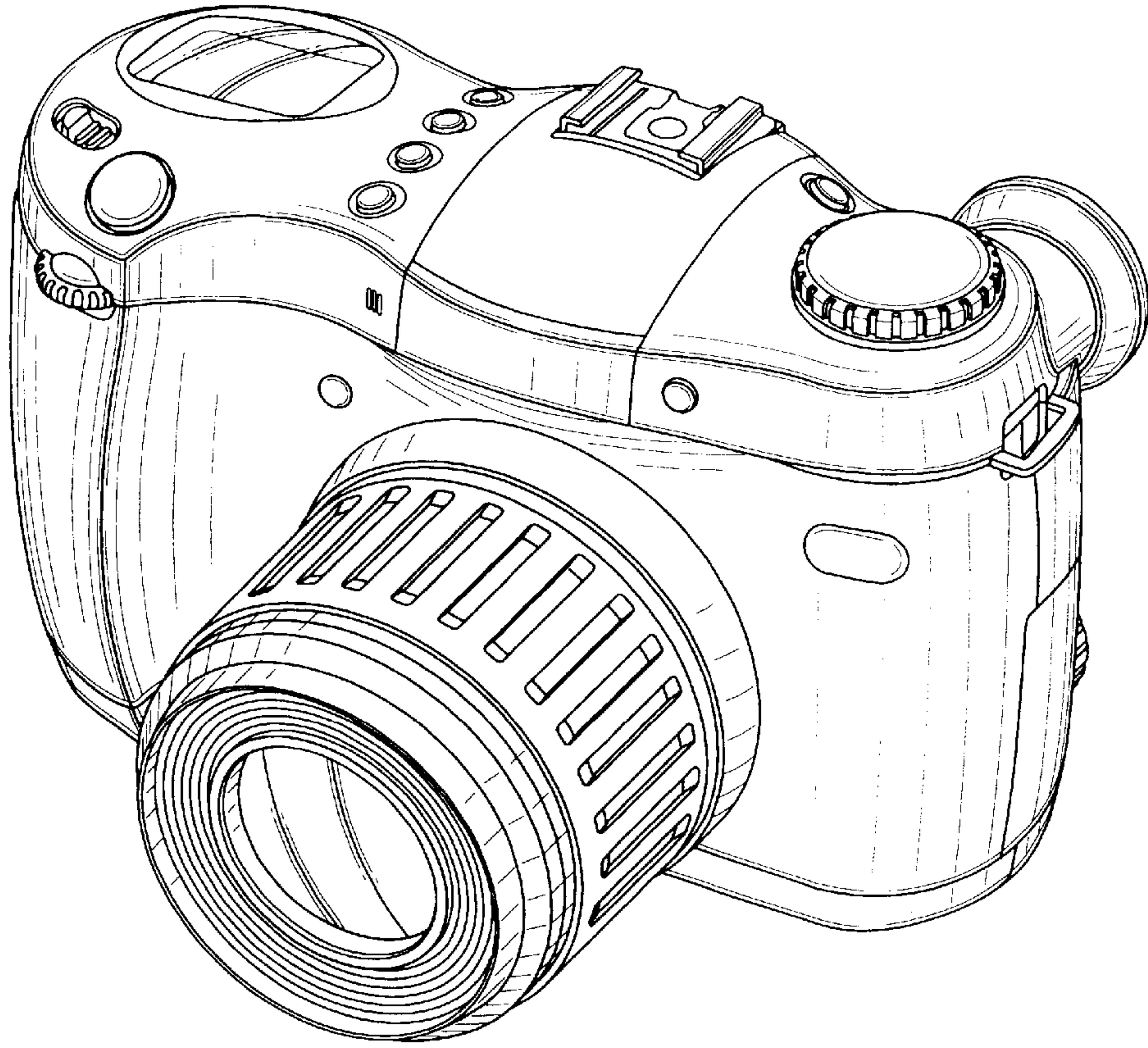


FIG. 2

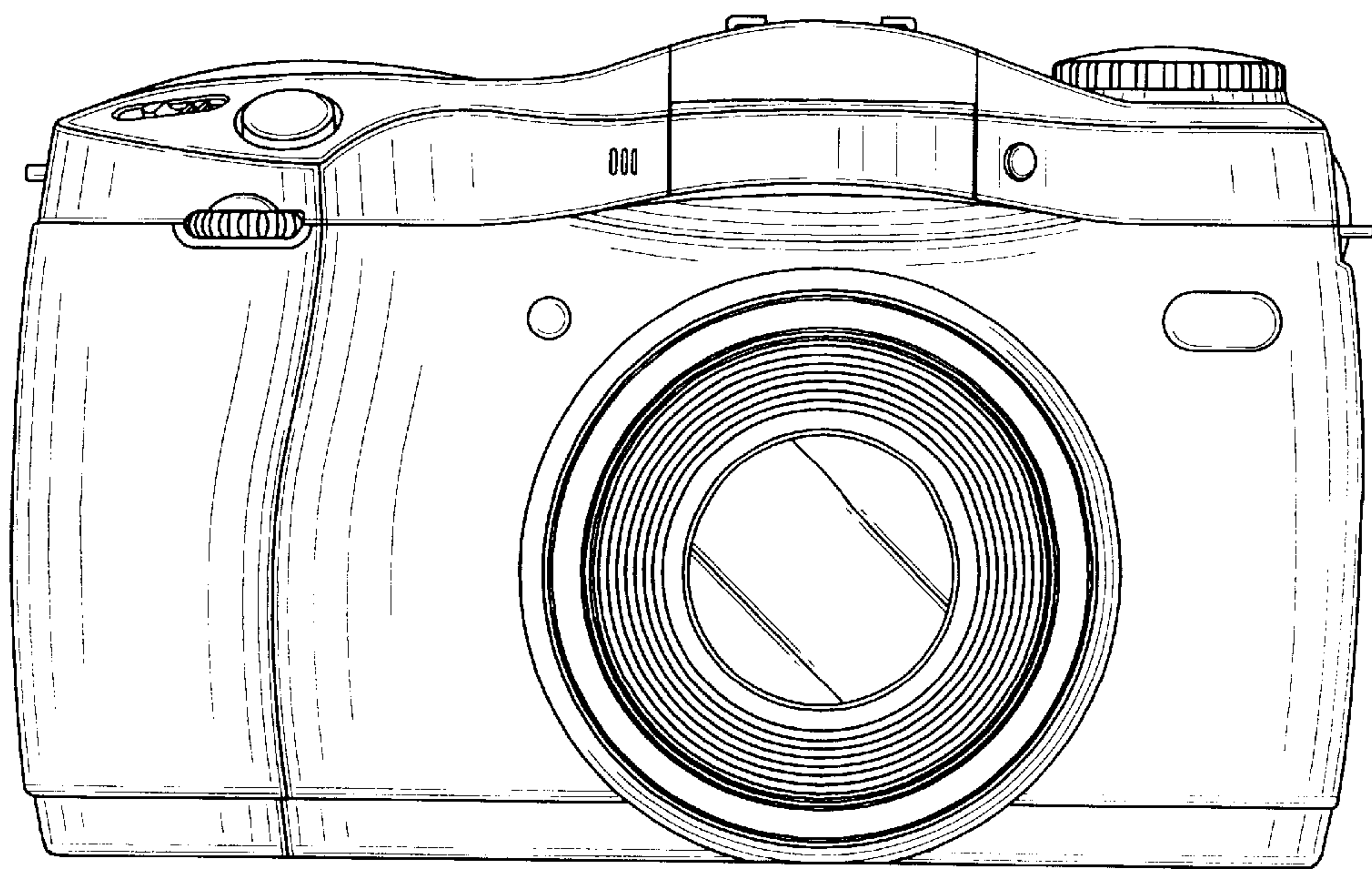


FIG. 3

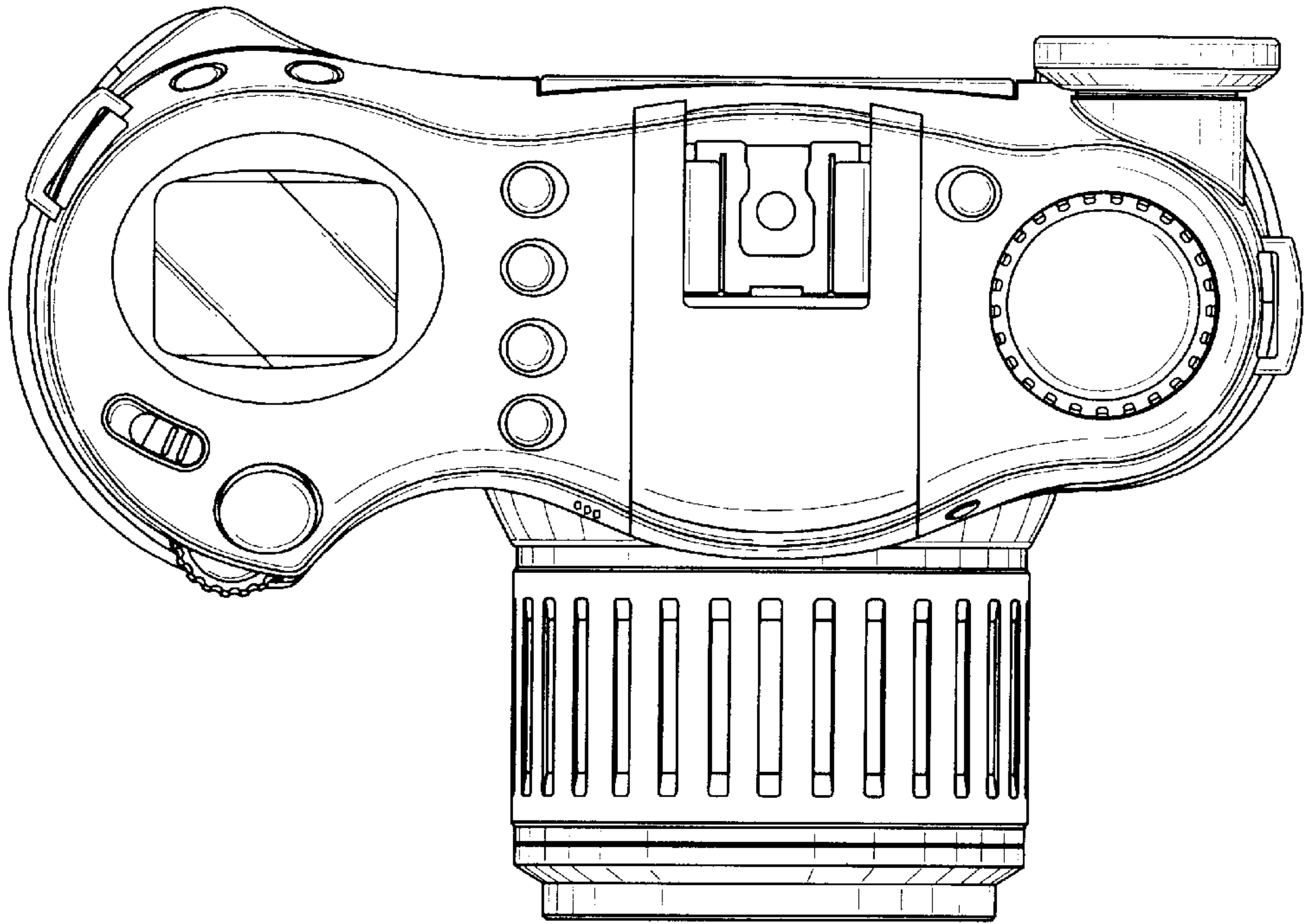


FIG. 4

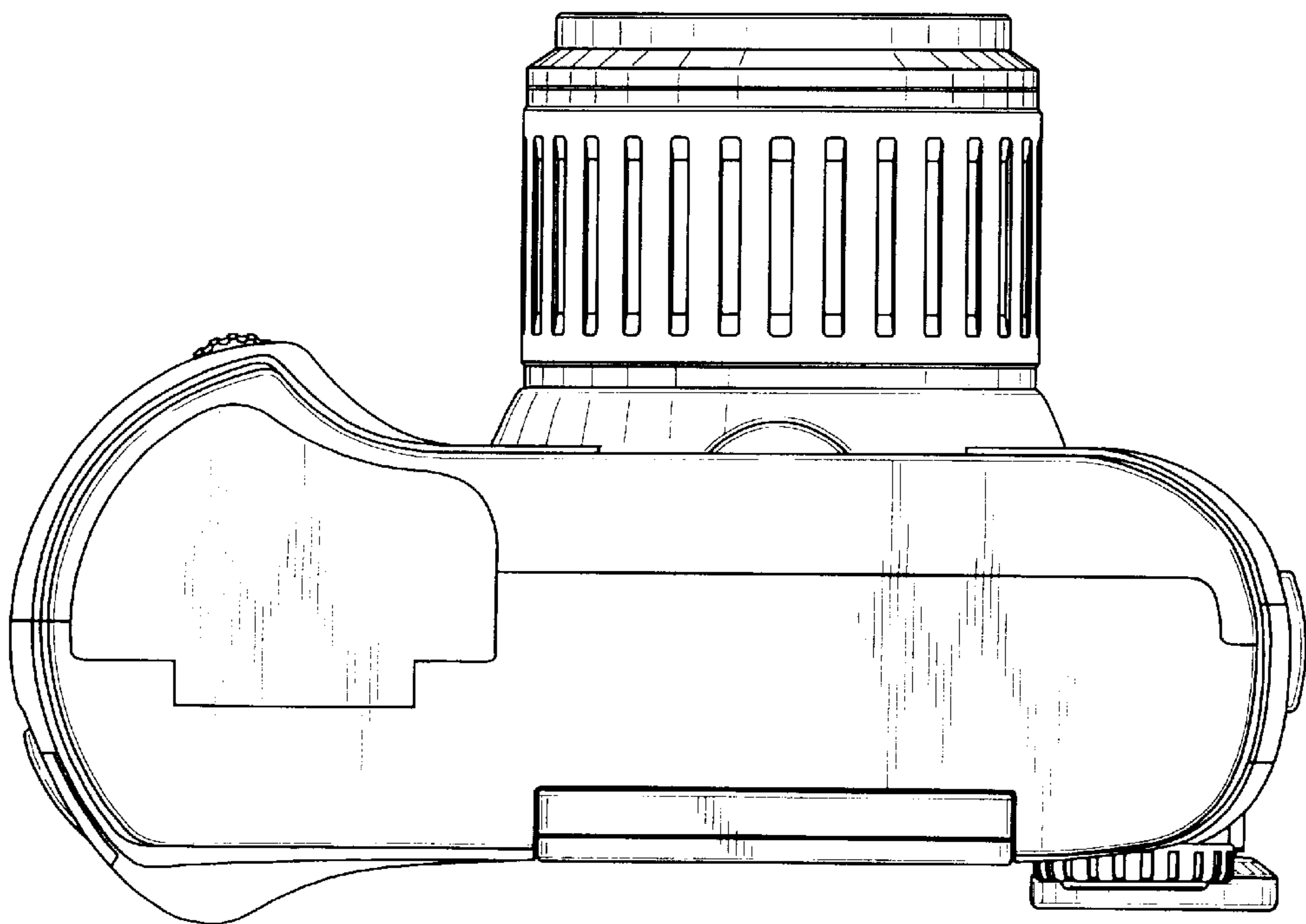


FIG. 5

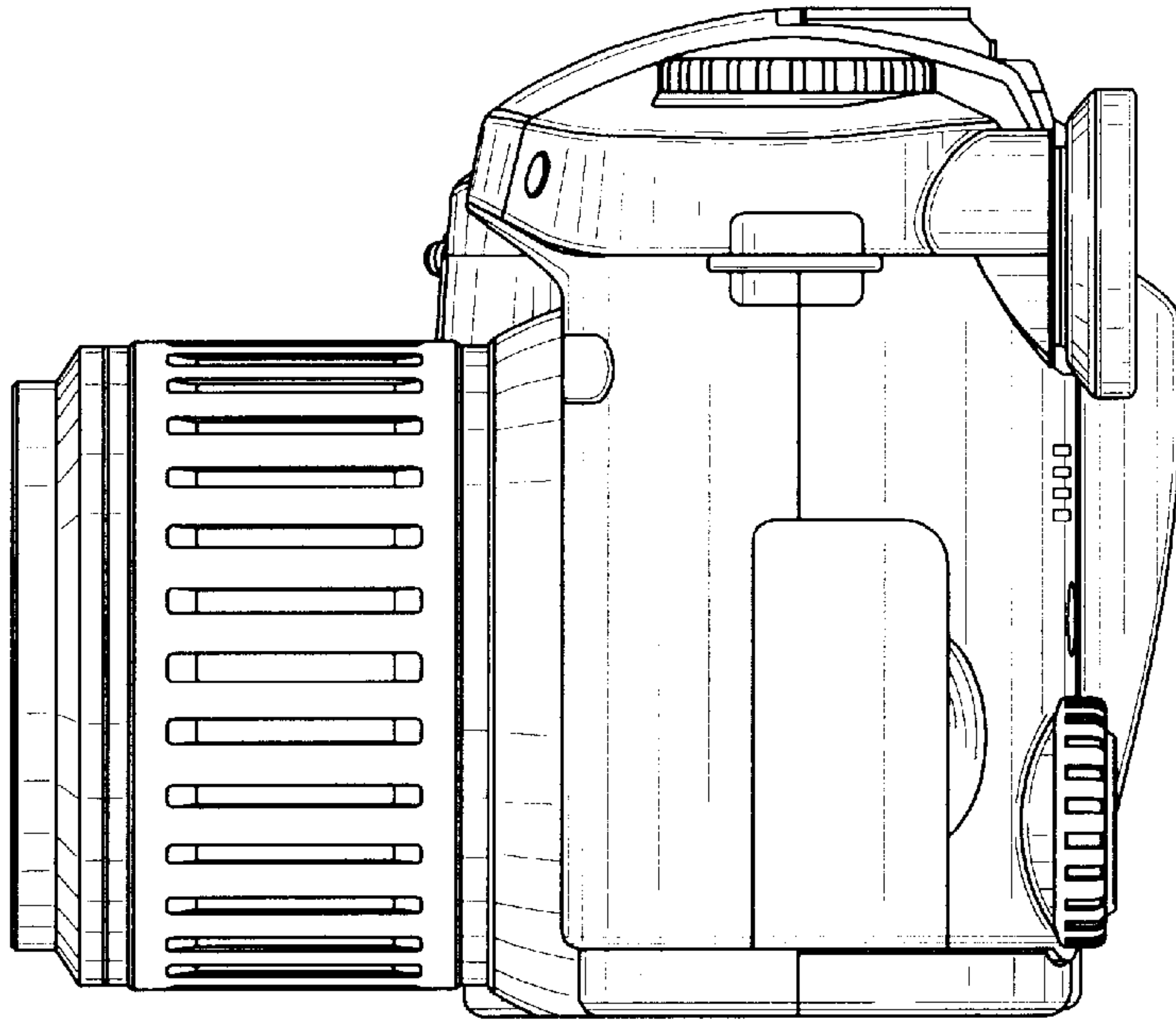


FIG. 6

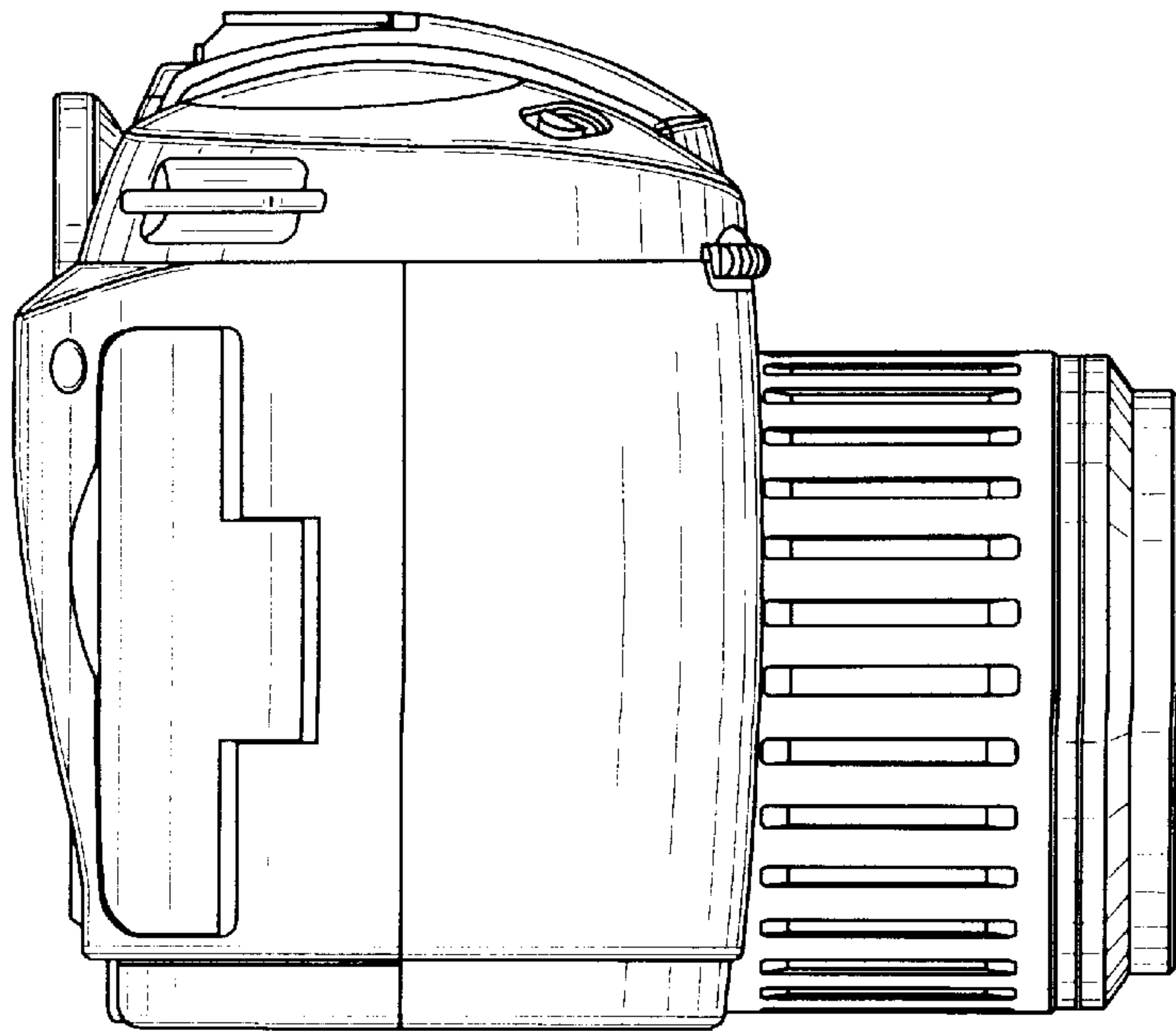


FIG. 7

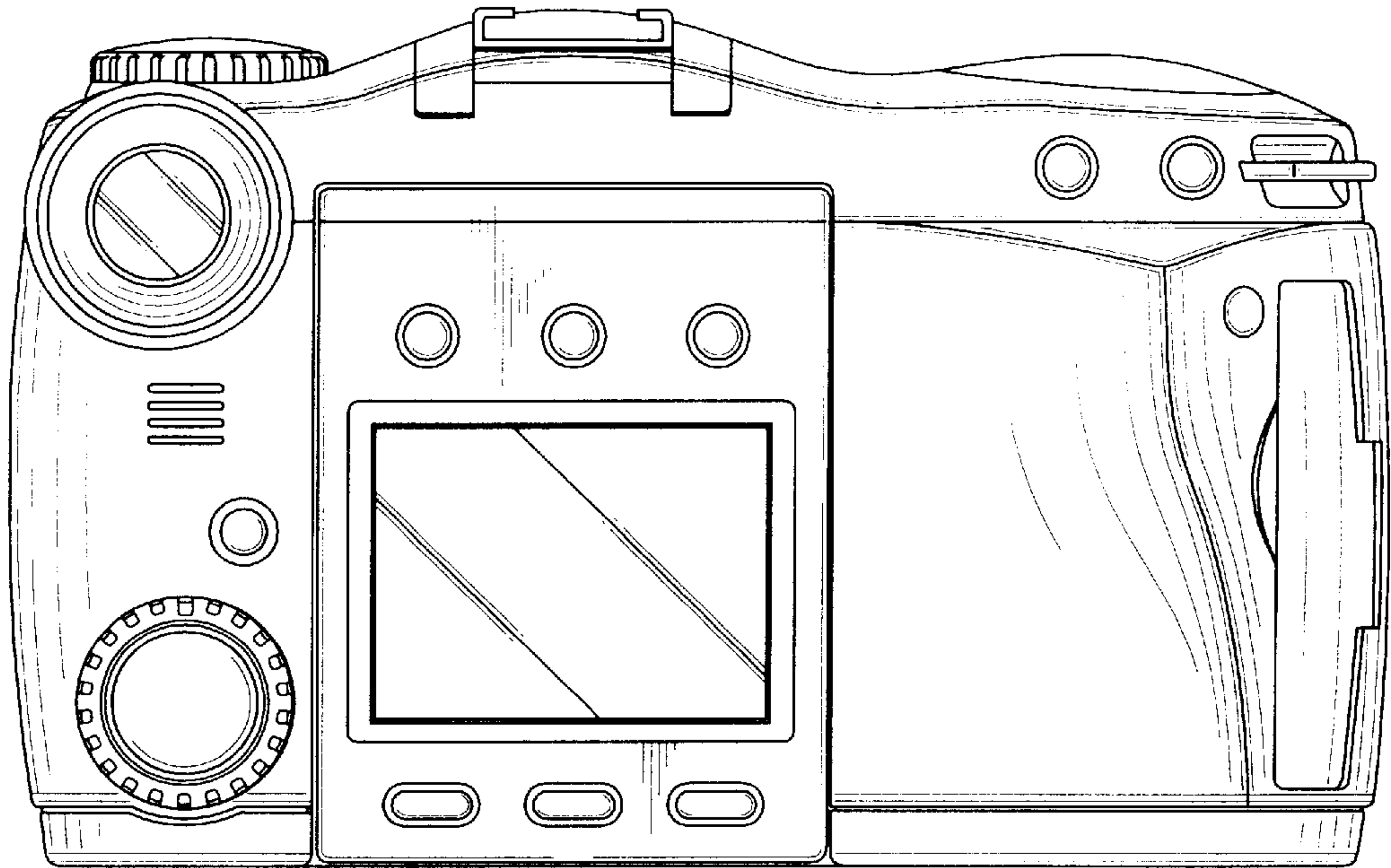


FIG. 8

