



US00D429267S

United States Patent [19]

Sumita et al.

[11] Patent Number: Des. 429,267

[45] Date of Patent: ** Aug. 8, 2000

[54] VIDEO CAMERA COMBINED WITH VIDEO TAPE RECORDER

[75] Inventors: **Kaoru Sumita; Eriko Kato**, both of Tokyo, Japan

[73] Assignee: **Sony Kabushiki Kaisha**, Tokyo, Japan

[**] Term: **14 Years**

[21] Appl. No.: **29/080,896**

[22] Filed: **Dec. 17, 1997**

Related U.S. Application Data

[63] Continuation-in-part of application No. 29/057,042, Jul. 15, 1996, Pat. No. Des. 391,588.

[51] **LOC (7) Cl.** **16-01**

[52] **U.S. Cl.** **D16/202**

[58] **Field of Search** **D16/200-206, D16/208, 218; 348/373-376; 352/242, 243; 396/535-543**

References Cited

U.S. PATENT DOCUMENTS

D. 332,958	2/1993	Urushihara et al.	D16/202
D. 376,166	12/1996	Ishii	D16/202
D. 391,281	2/1998	Itakura et al.	D16/202
D. 394,075	5/1998	Ninomiya et al.	D16/202
D. 396,051	7/1998	Mori	D16/202

OTHER PUBLICATIONS

Japanese Patent No. 976897, Mar. 13, 1997.

Primary Examiner—Adir Aronovich

CLAIM

The ornamental designs for the video camera combined with video tape recorder, as shown and described.

DESCRIPTION

FIG. 1 is a perspective view of the first embodiment of a video camera combined with video tape recorder in accordance with the present invention and showing the video camera in a closed position.

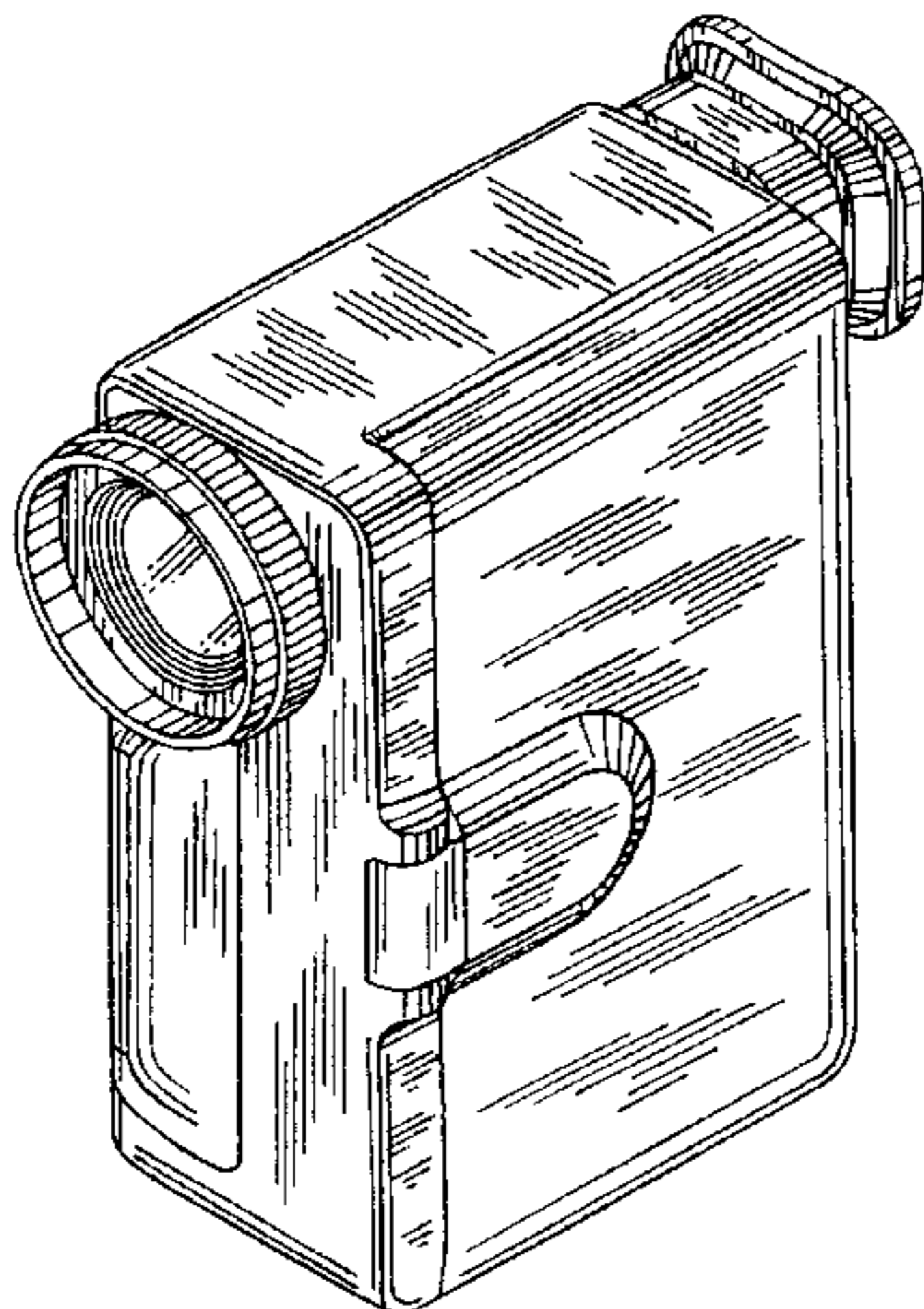


FIG. 2 is still another perspective view of the first embodiment of a video camera combined with video tape recorder in accordance with the present invention and showing the video camera in a first open, using condition.

FIG. 3 is another perspective view of the first embodiment of a video camera combined with video tape recorder in accordance with the present invention and showing the video camera in a second open, using condition.

FIG. 4 is yet another perspective view of the first embodiment of a video camera combined with video tape recorder in accordance with the present invention and showing the video camera in a third open, using condition.

FIG. 5 is still another perspective view of the first embodiment of a video camera combined with video tape recorder in accordance with the present invention and showing the video camera in a fourth using condition.

FIG. 6 is a front elevation view of the first embodiment of a video camera combined with video tape recorder of FIG. 1.

FIG. 7 is a left-side elevation view of the first embodiment of a video camera combined with video tape recorder of FIG. 1.

FIG. 8 is a right-side elevation view of the first embodiment of a video camera combined with video tape recorder of FIG. 1.

FIG. 9 is a rear elevation view of the first embodiment of a video camera combined with a video tape recorder of FIG. 1.

FIG. 10 is a top plan view of the first embodiment of a video camera combined with video tape recorder of FIG. 1.

FIG. 11 is a bottom plan view of the first embodiment of a video camera combined with video tape recorder of FIG. 1.

FIG. 12 is a perspective view of the second embodiment of a video camera combined with video tape recorder in accordance with the present invention and showing the video camera in a closed position.

FIG. 13 is still another perspective view of the second embodiment of a video camera combined with a video tape recorder in accordance with the present invention and showing the video camera in a first open, using condition.

FIG. 14 is another perspective view of the second embodiment of a video camera combined with video tape recorder in accordance with the present invention and showing the video camera in a second open, using condition.

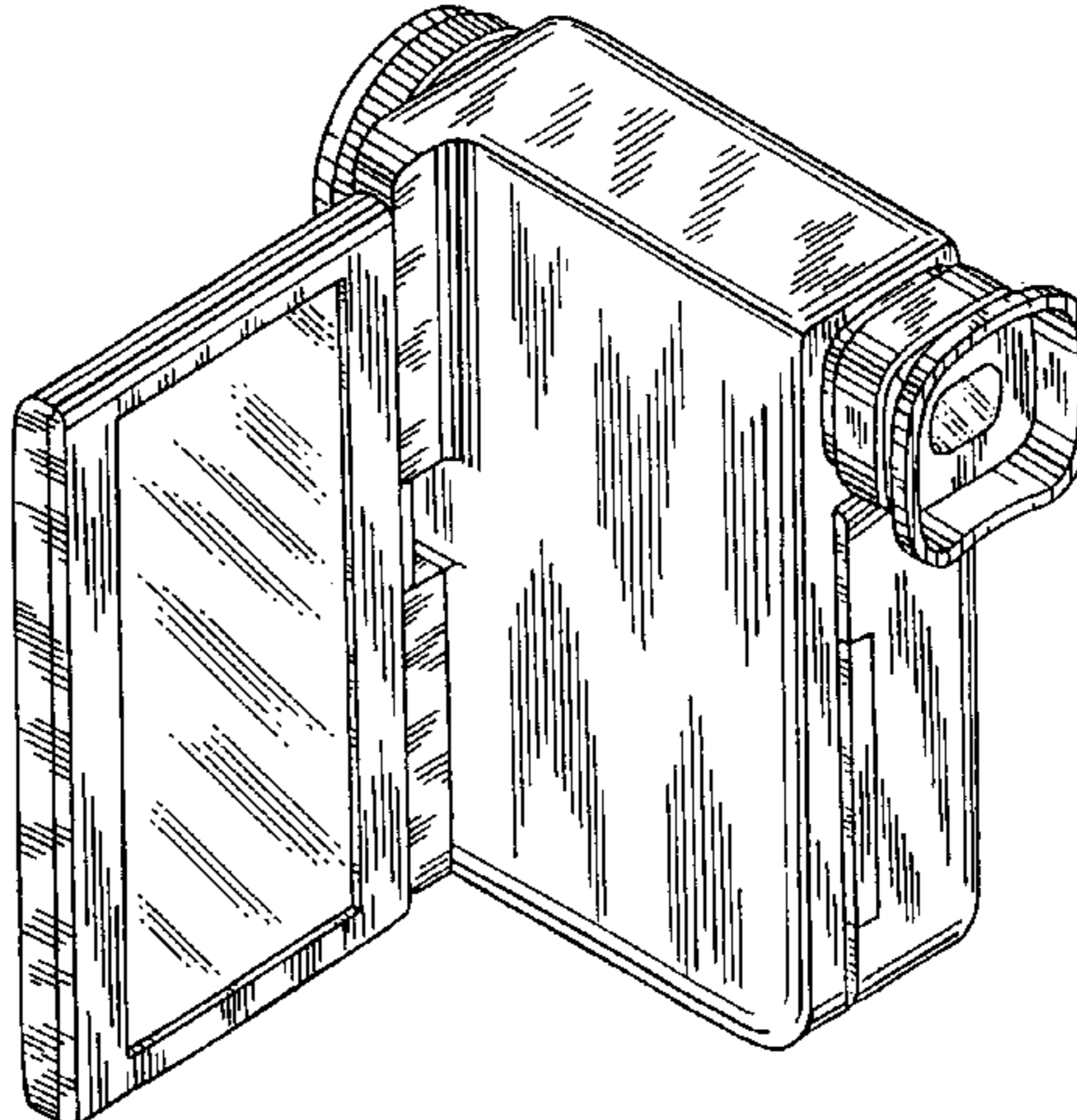


FIG. 15 is yet another perspective view of the second embodiment of a video camera combined with video tape recorder in accordance with the present invention and showing the video camera in a third open, using condition.

FIG. 16 is still another perspective view of the second embodiment of a video camera combined with video tape recorder in accordance with the present invention and showing the video camera in a fourth using condition.

FIG. 17 is a front elevation view of the second embodiment of a video camera combined with video tape recorder of FIG. 12.

FIG. 18 is a left-side elevation view of the second embodiment of a video camera combined with video tape recorder of FIG. 12.

FIG. 19 is a right-side elevation view of the second embodiment of a video camera combined with video tape recorder of FIG. 12.

FIG. 20 is a rear elevation view of the second embodiment of a video camera combined with video tape recorder of FIG. 12.

FIG. 21 is a top plan view of the second embodiment of a video camera combined with video tape recorder of FIG. 12; and,

FIG. 22 is a bottom plan view of the second embodiment of a video camera combined with a video tape recorder of FIG. 12.

1 Claim, 9 Drawing Sheets

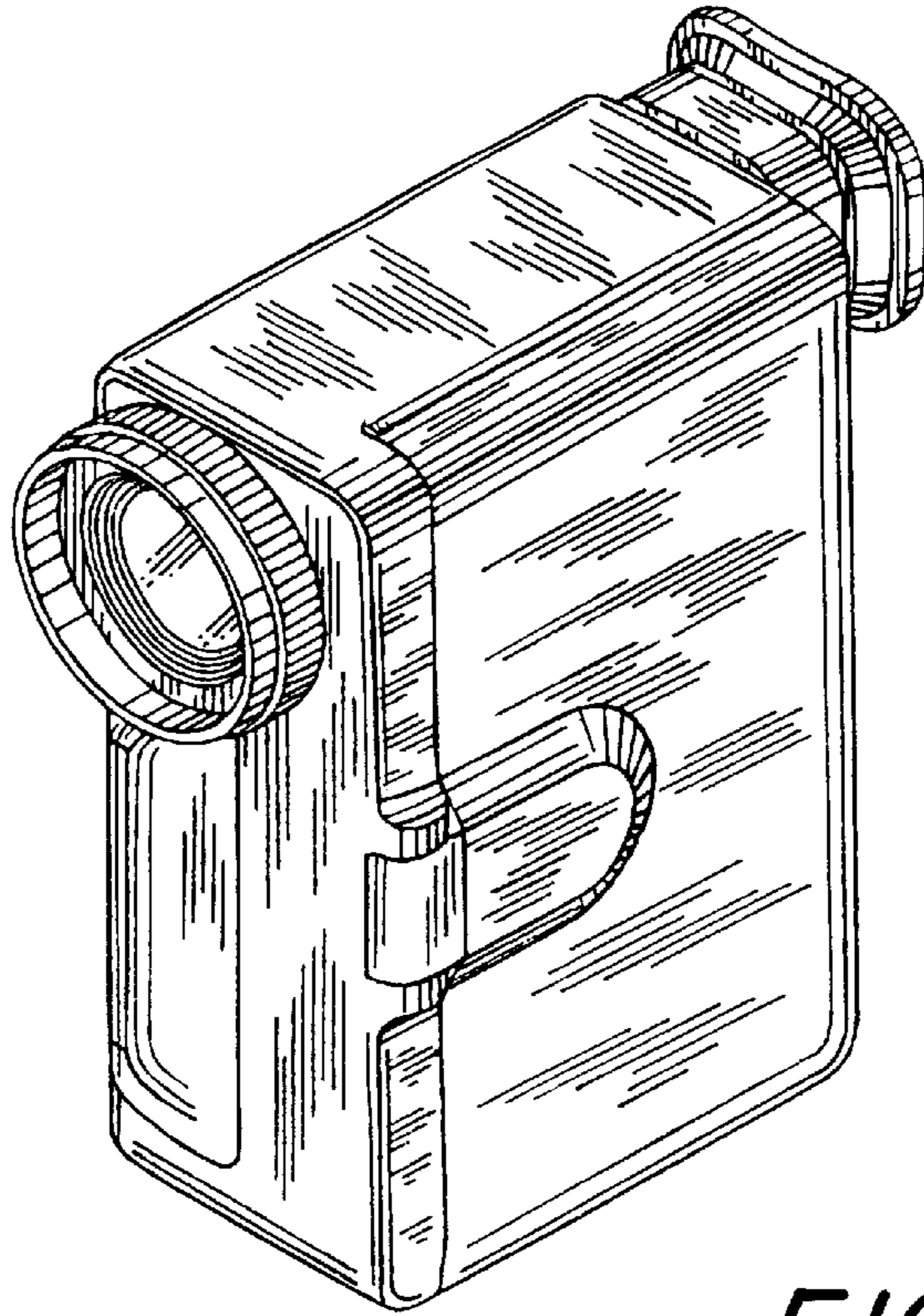


FIG. 1

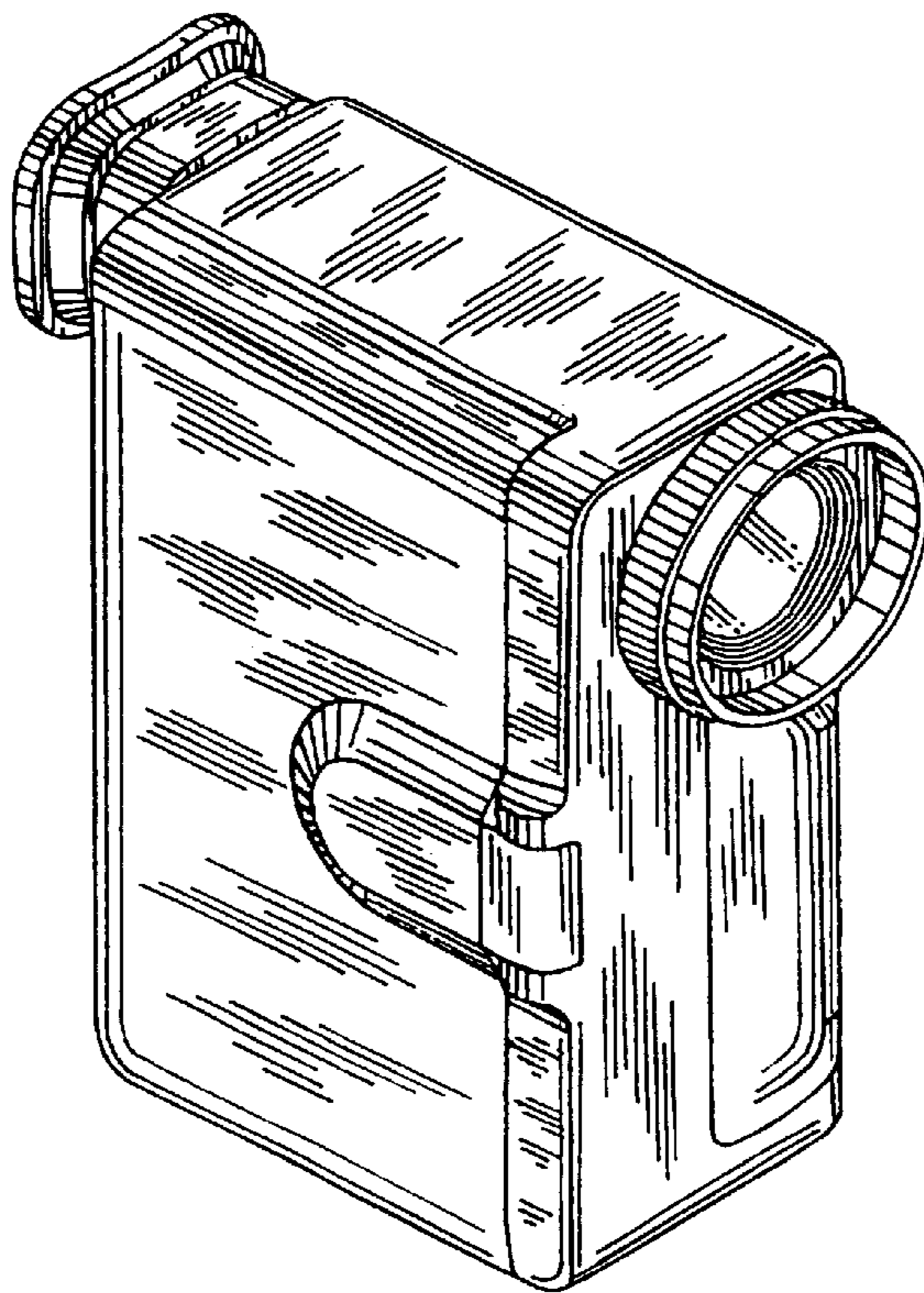


FIG. 12

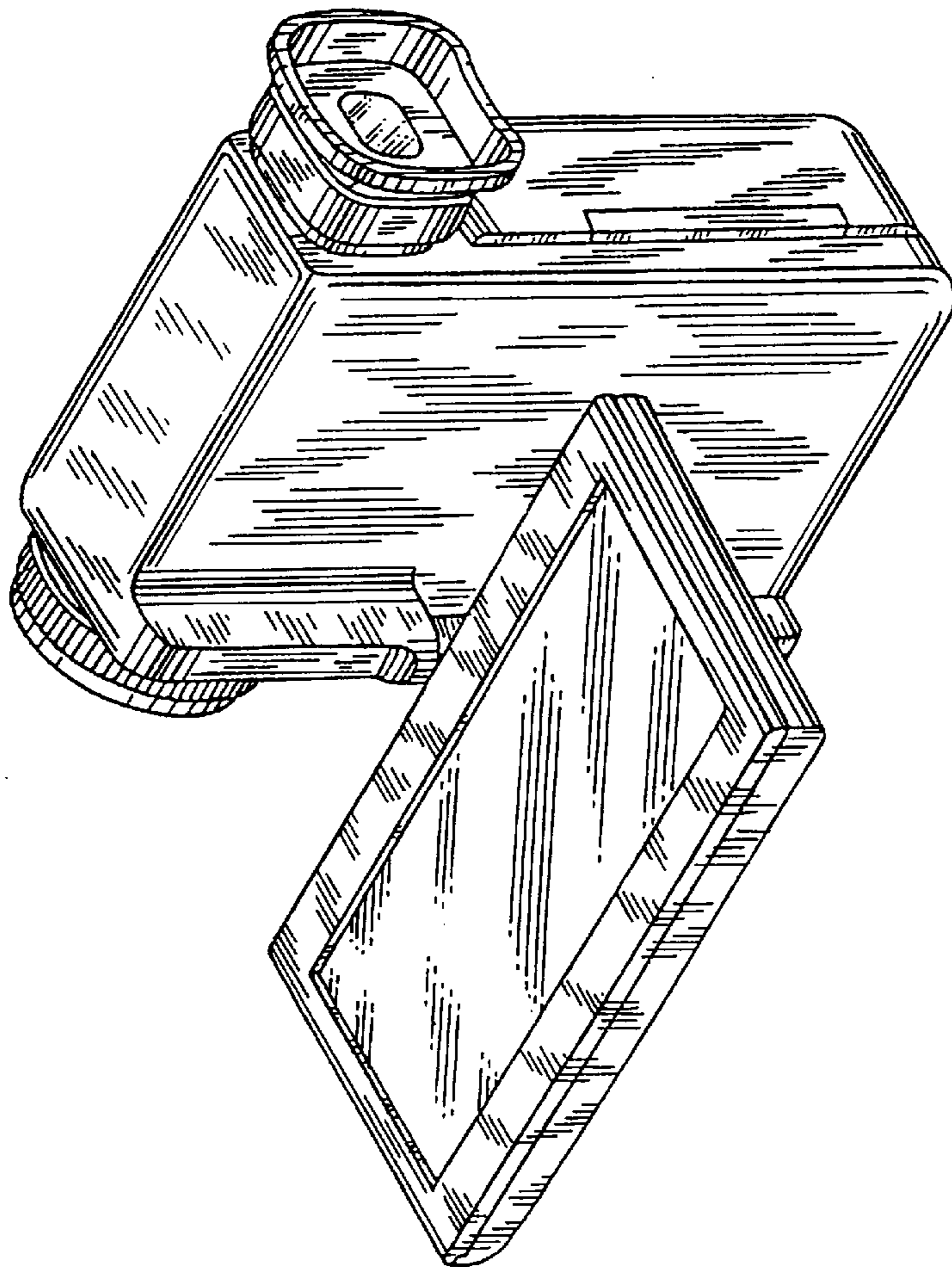


FIG. 3

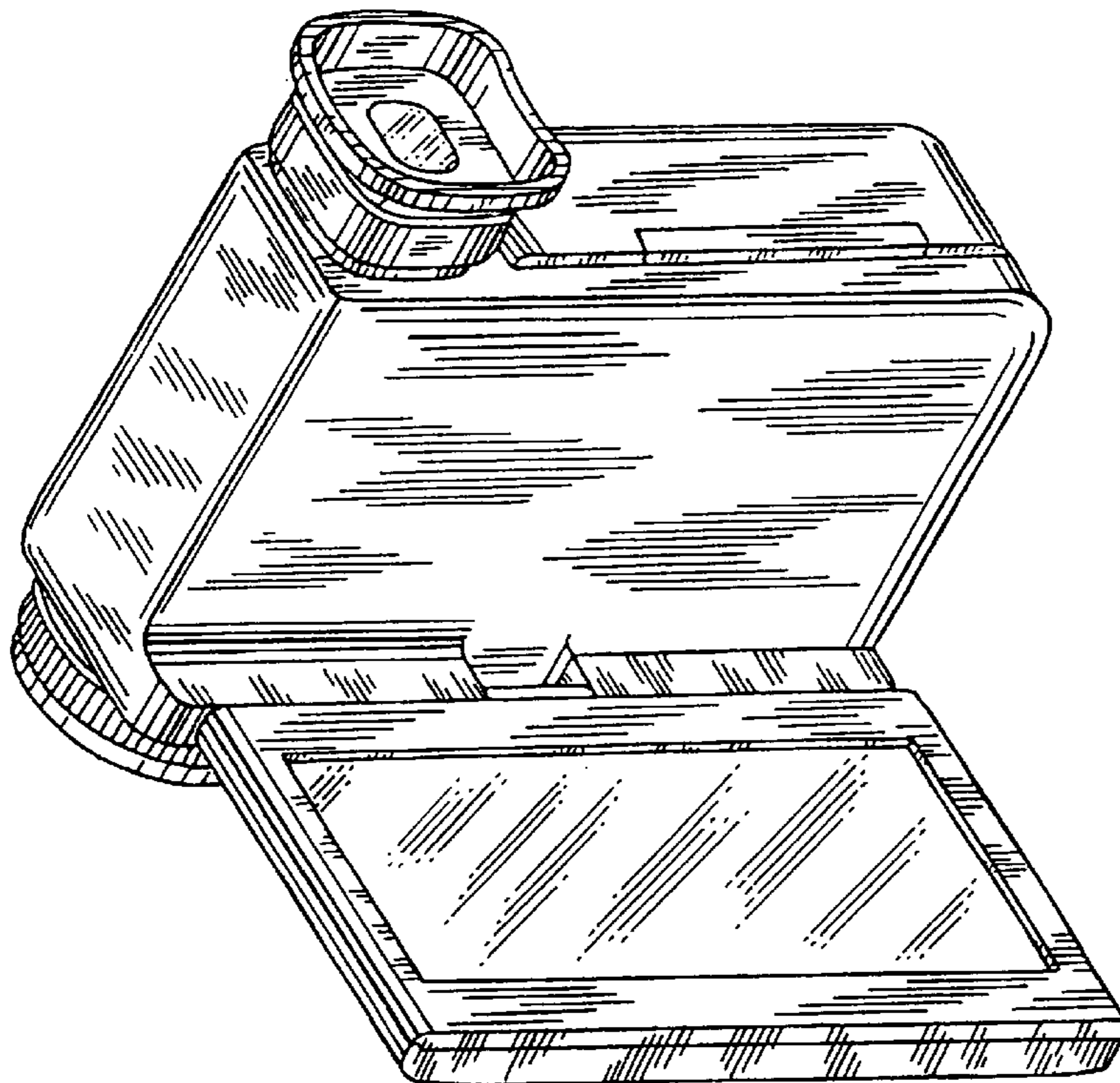


FIG. 2

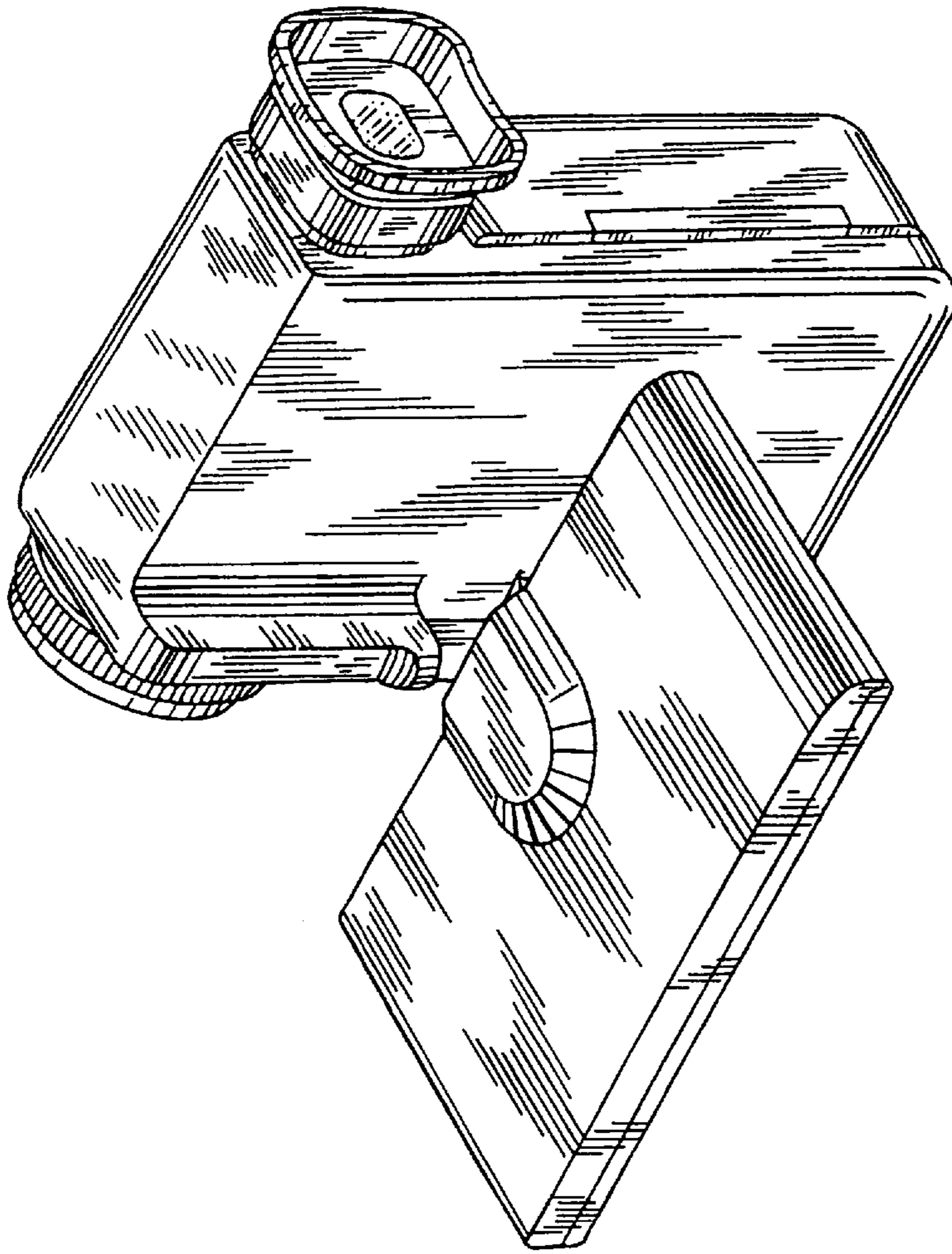


FIG. 4

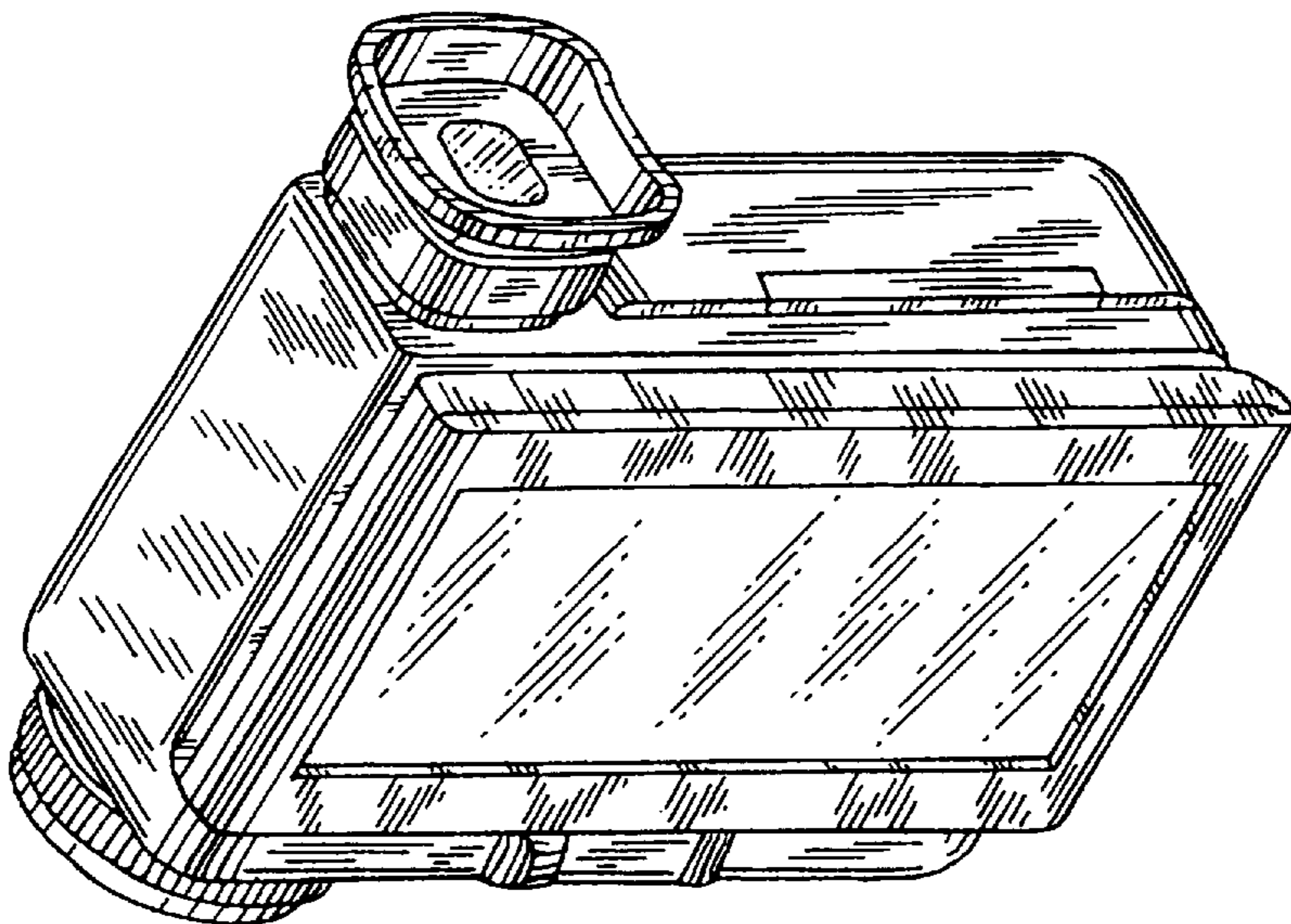


FIG. 5

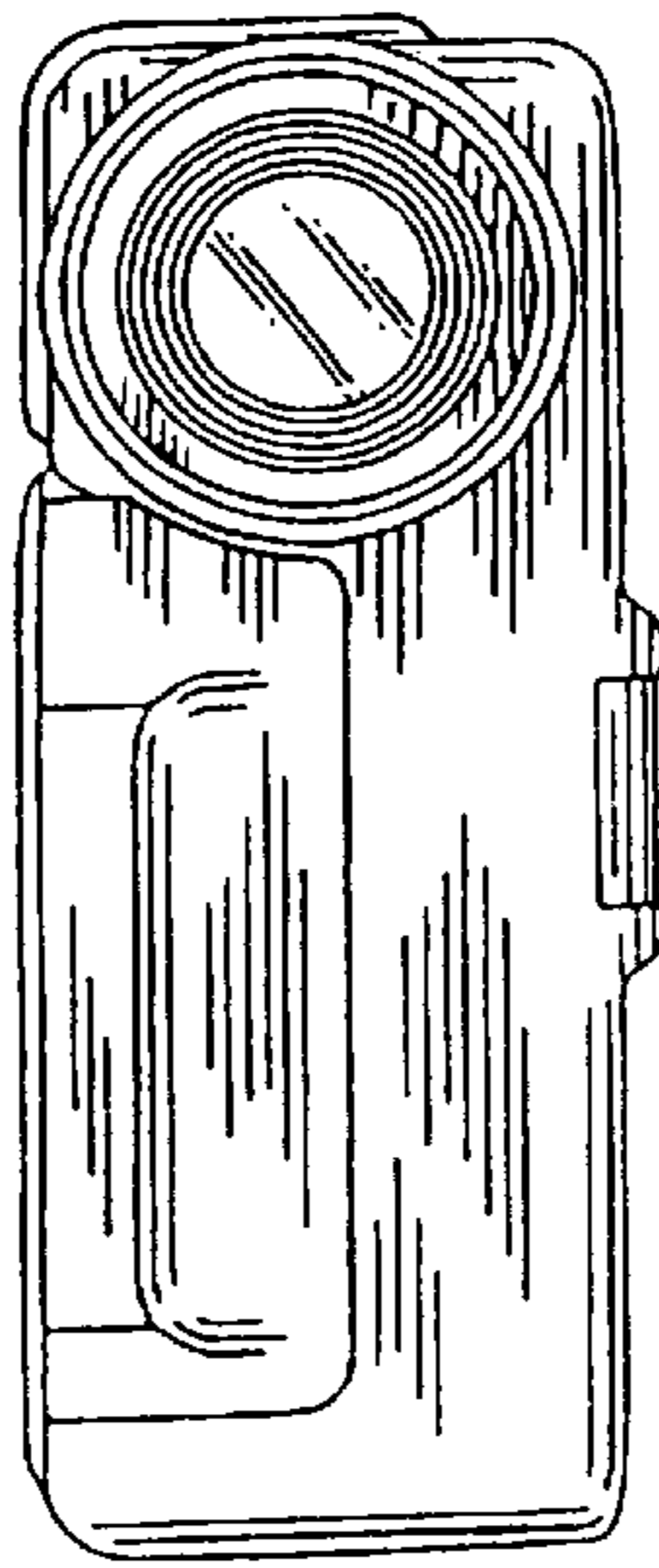


FIG. 6

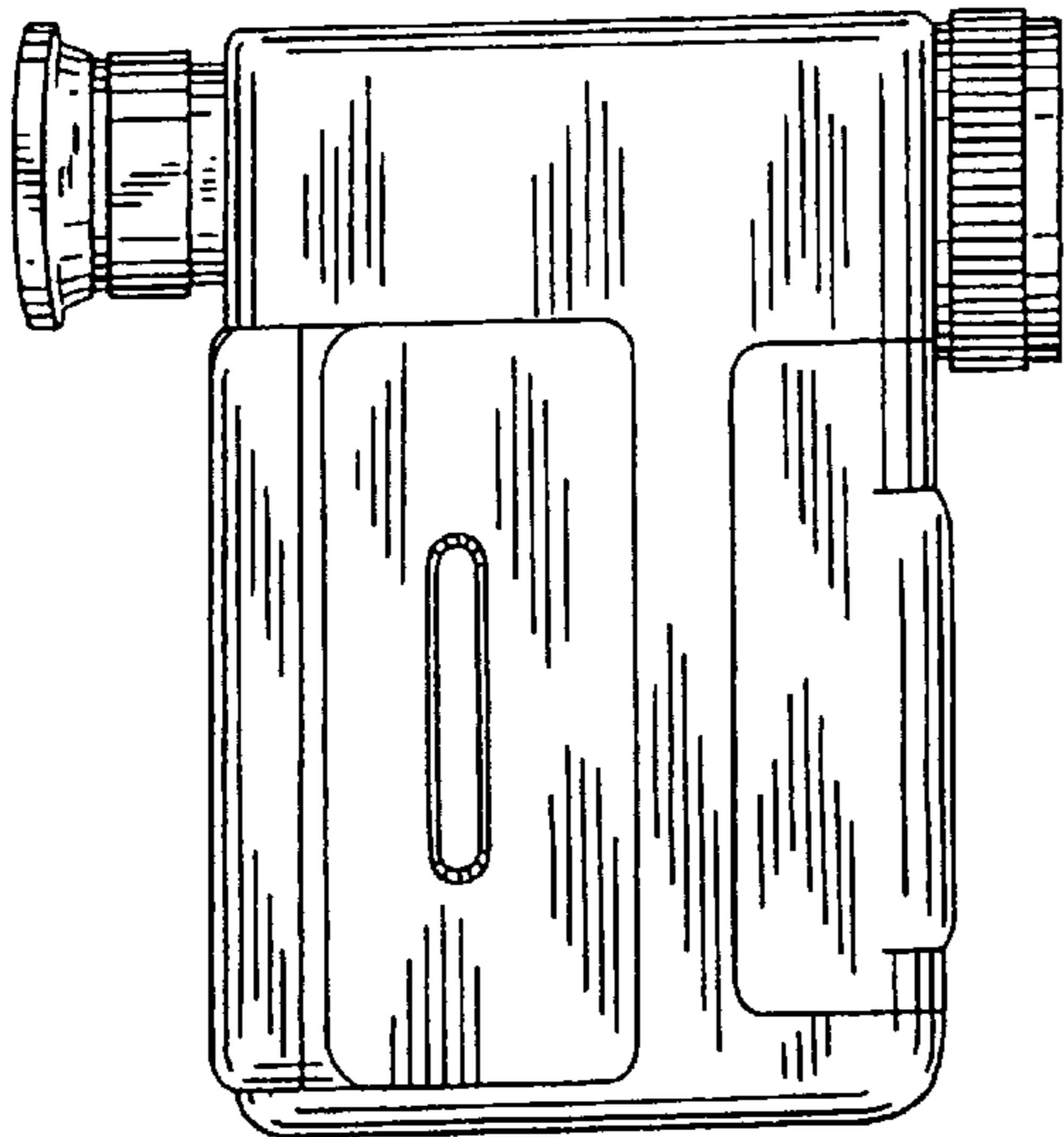


FIG. 7

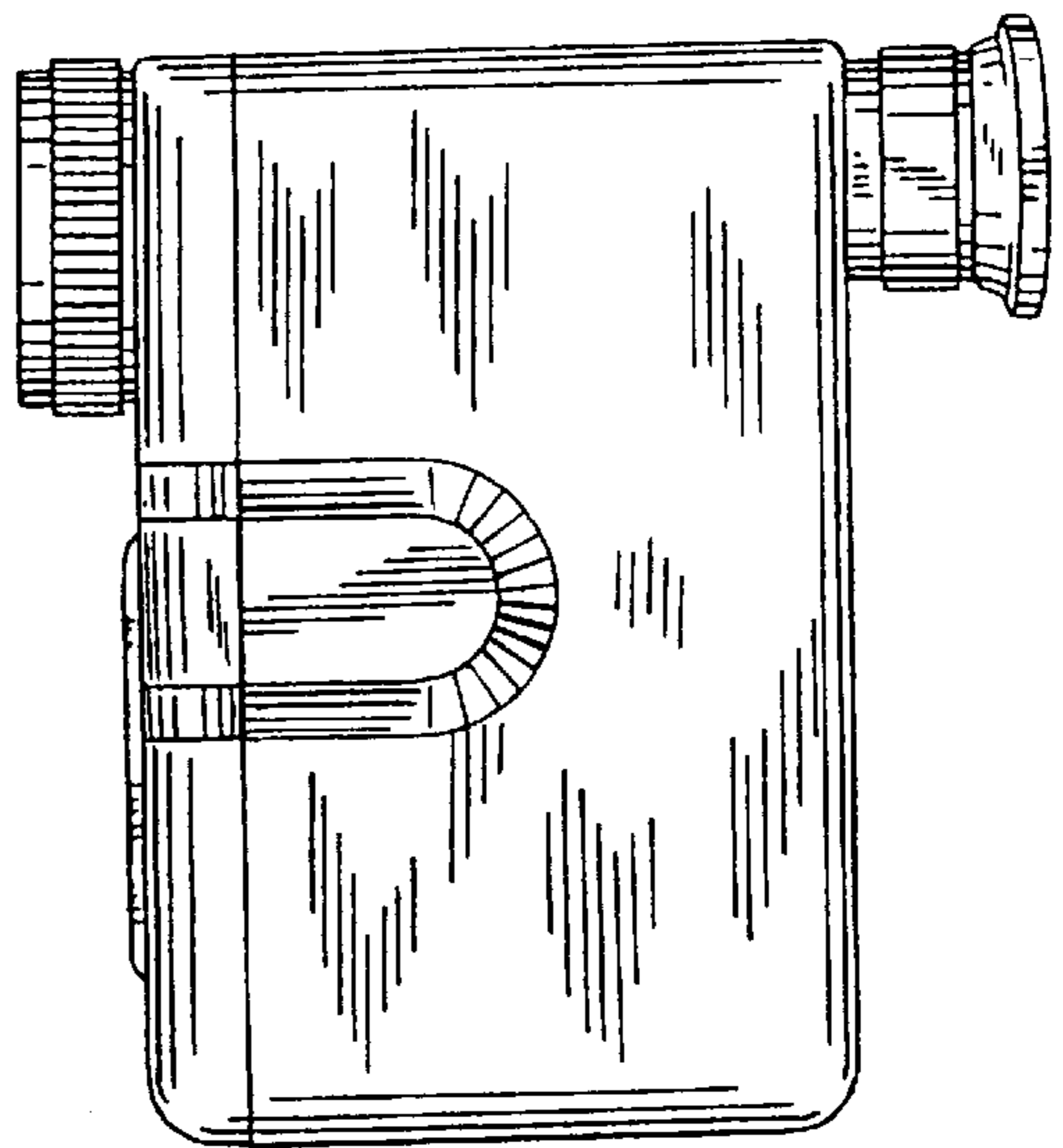


FIG. 8

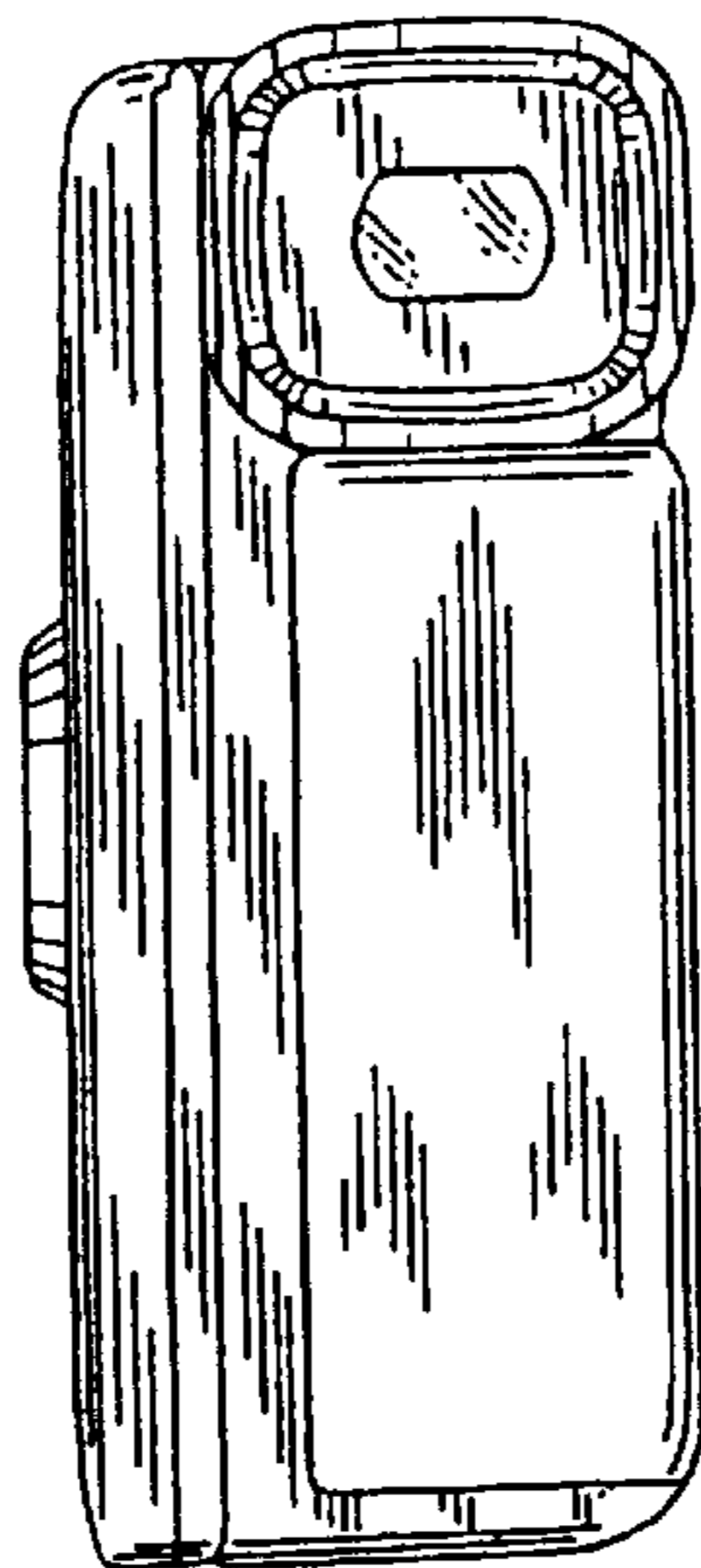


FIG. 9

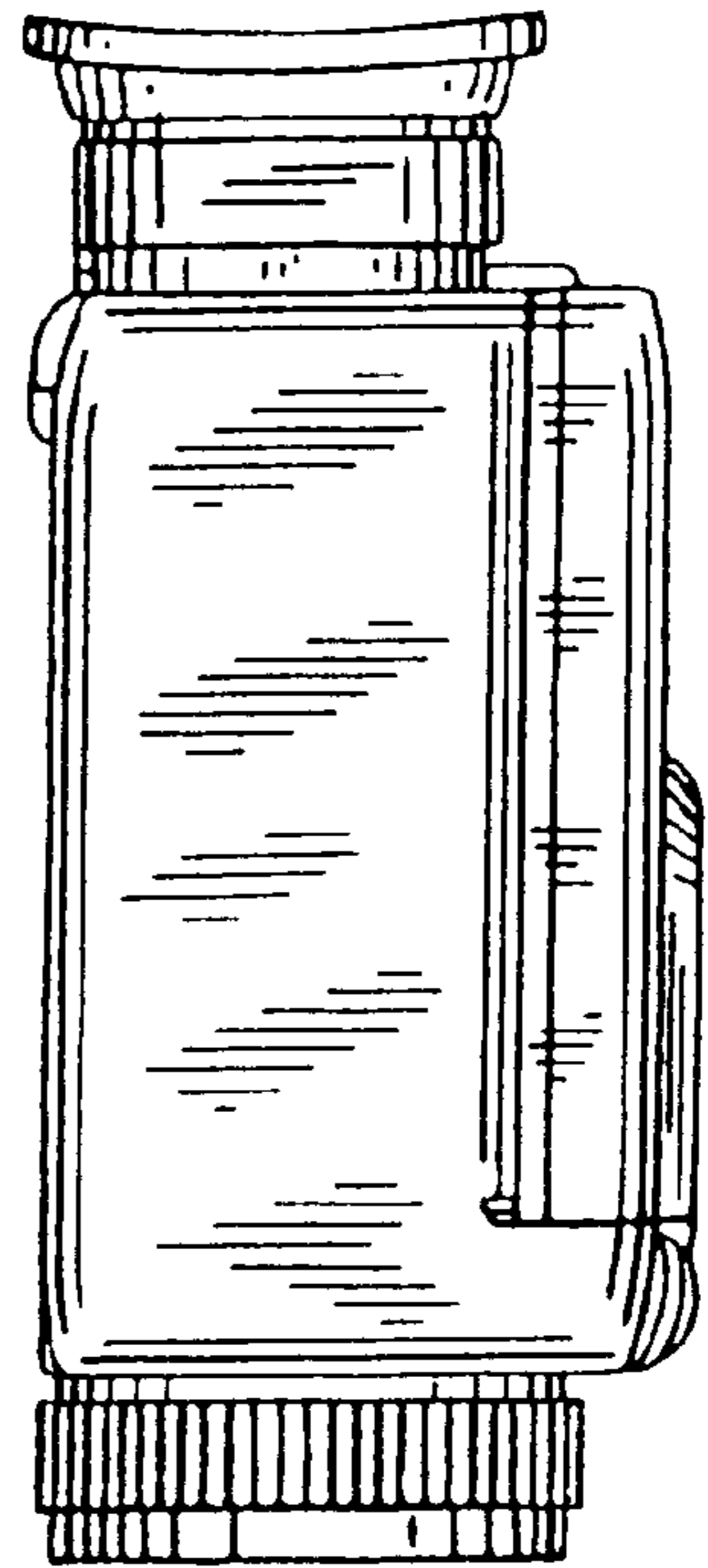


FIG. 10

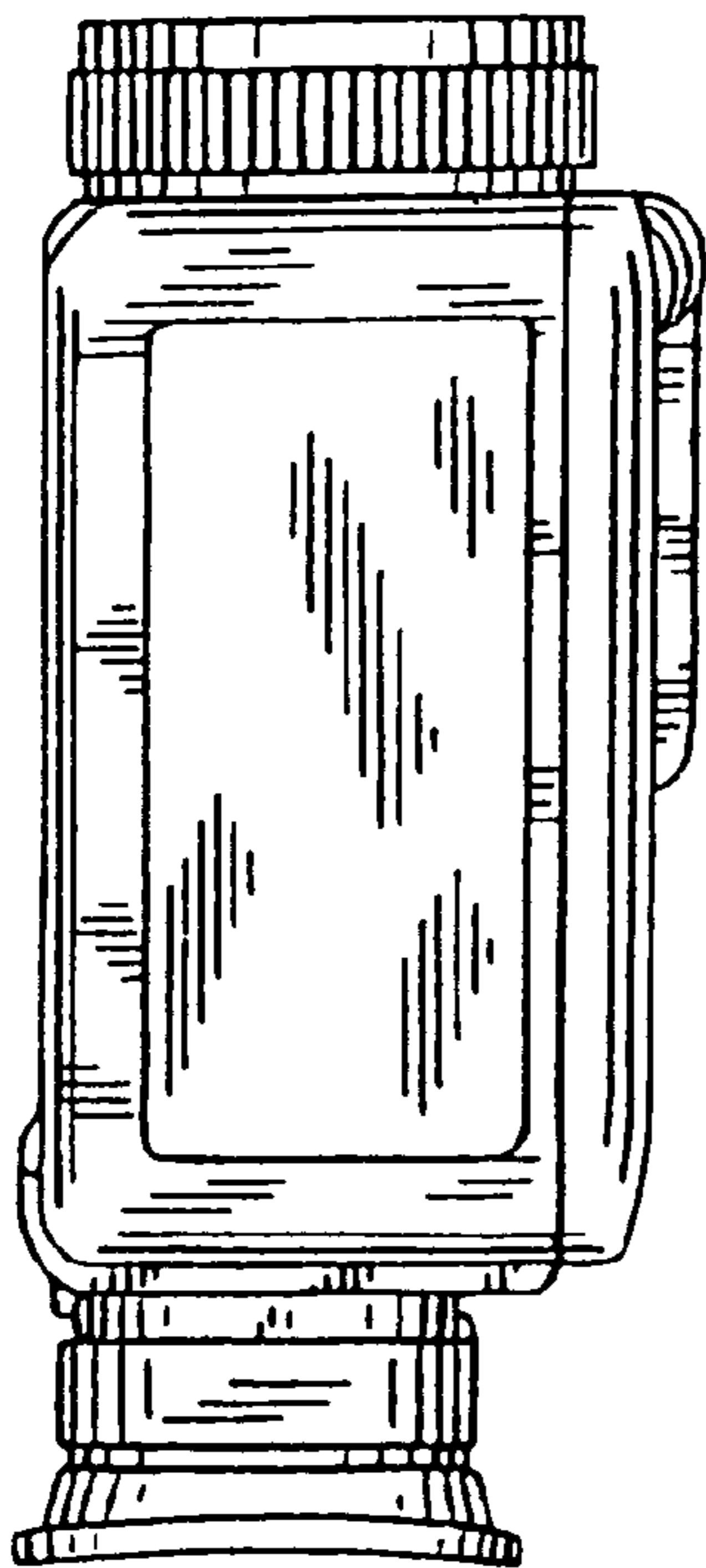


FIG. 11

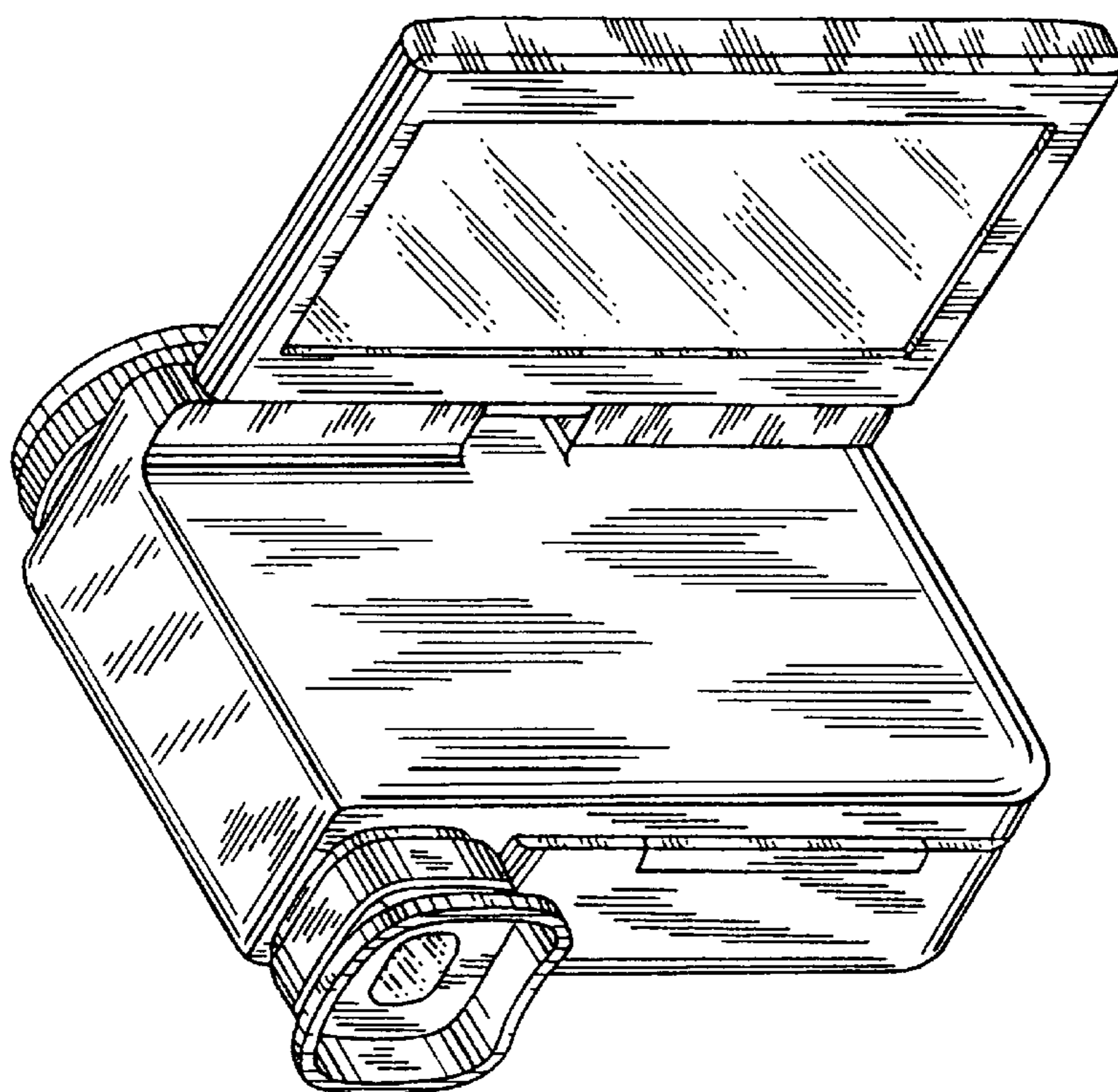


FIG. 13

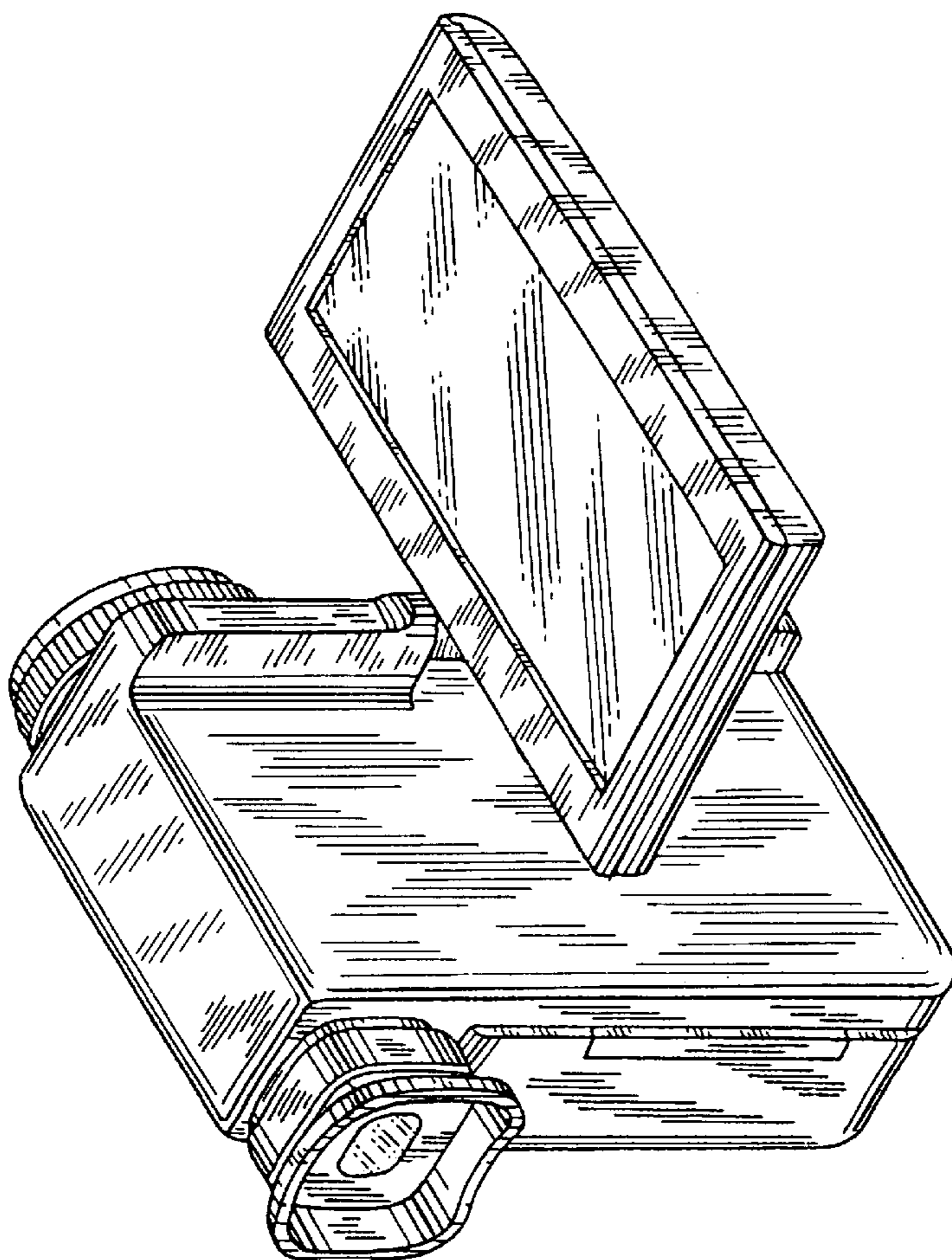


FIG. 14

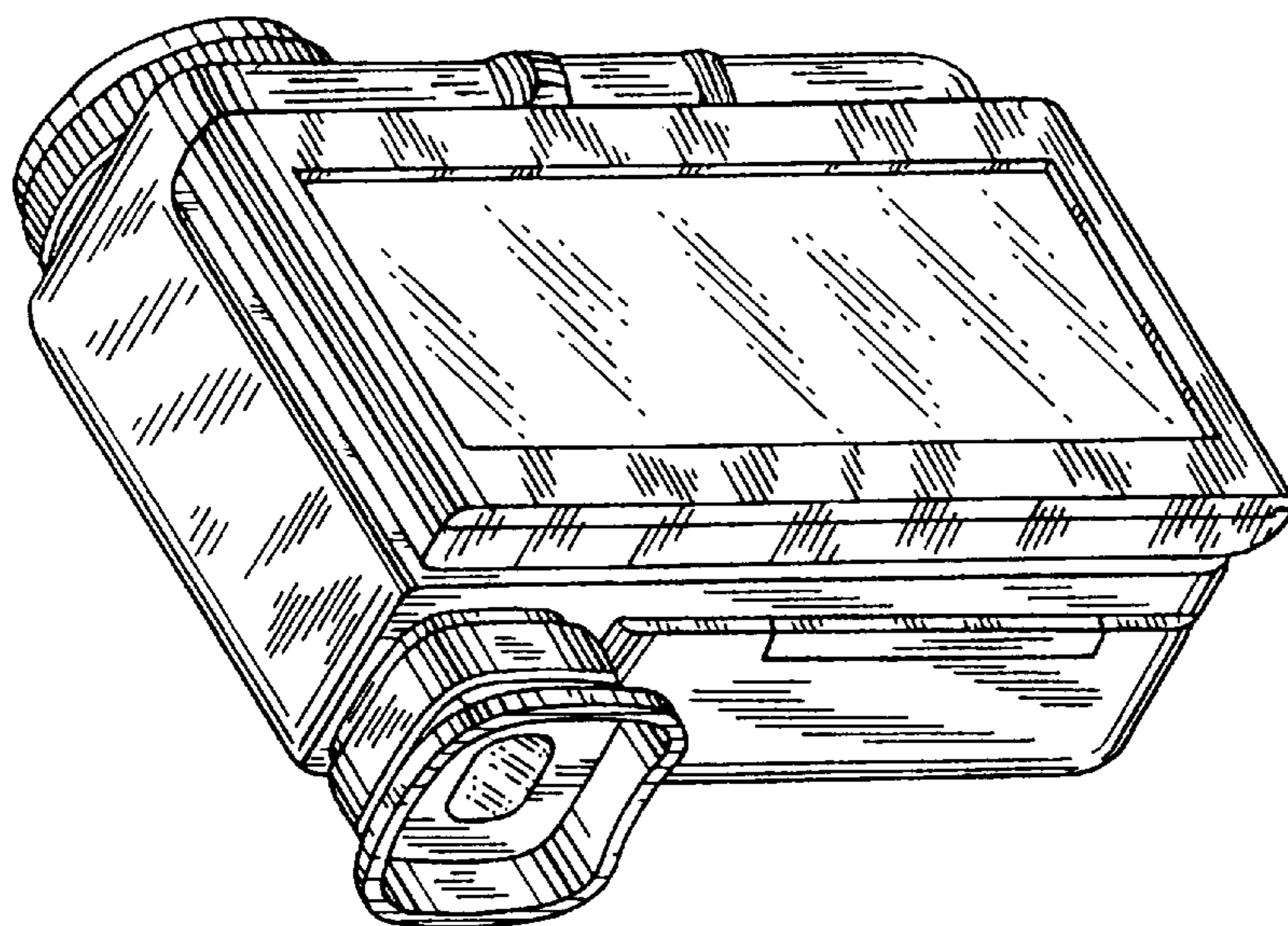


FIG. 16

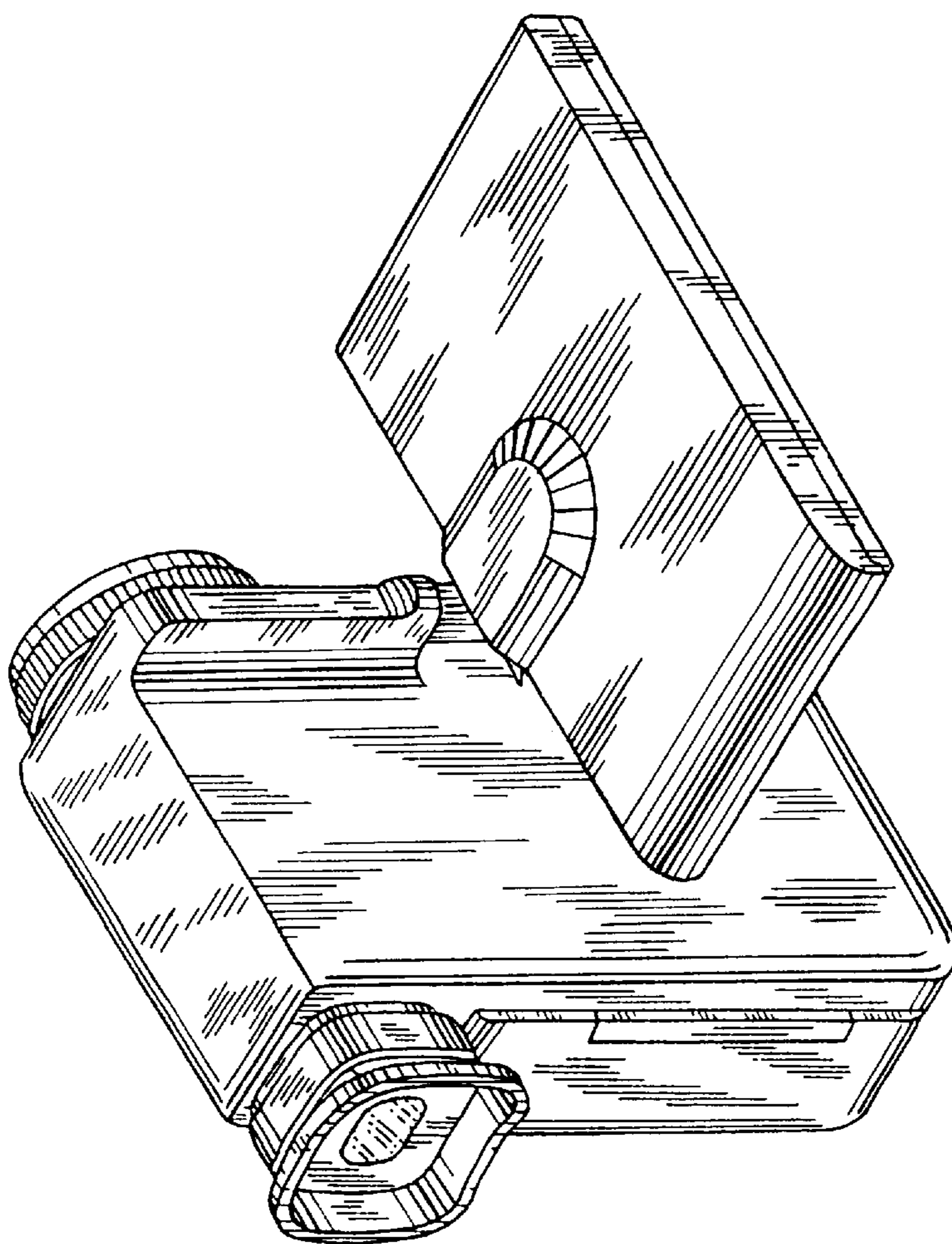


FIG. 15

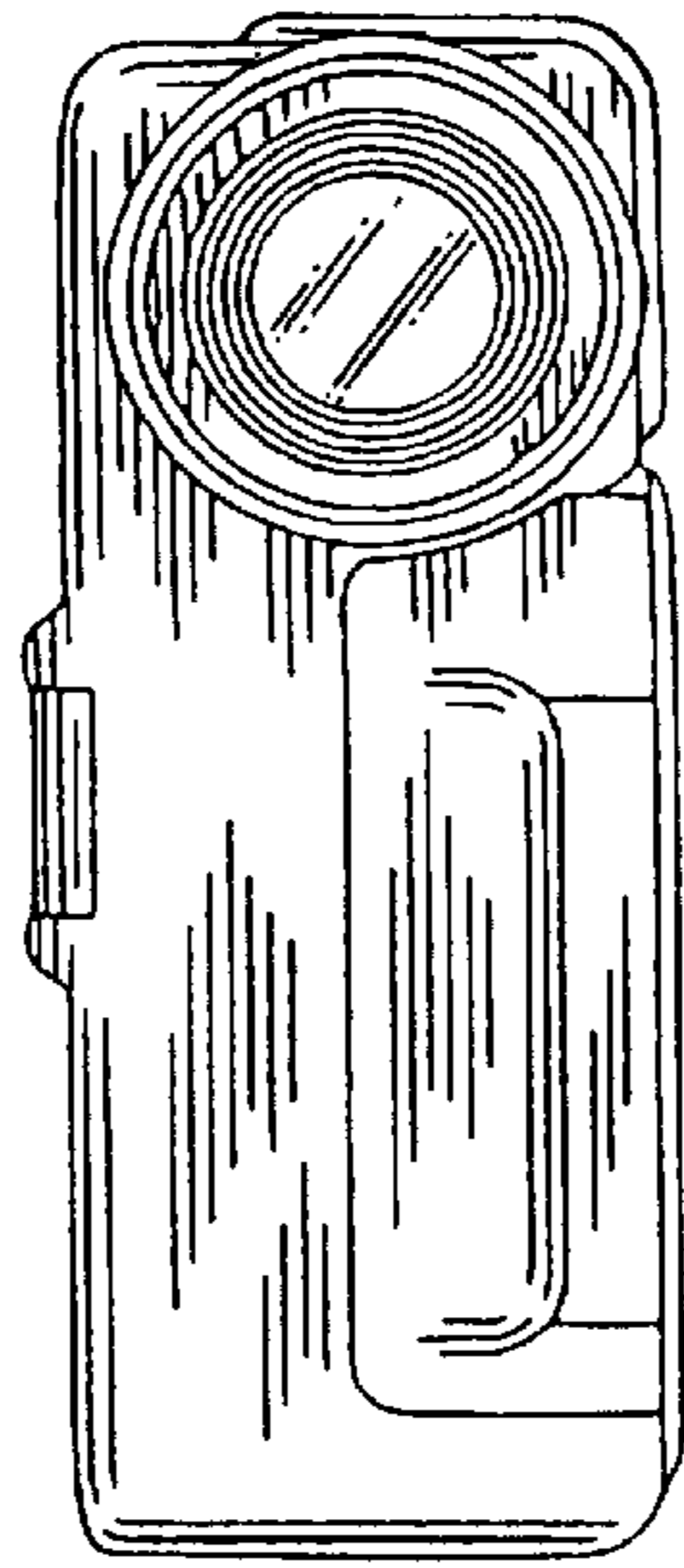


FIG. 17

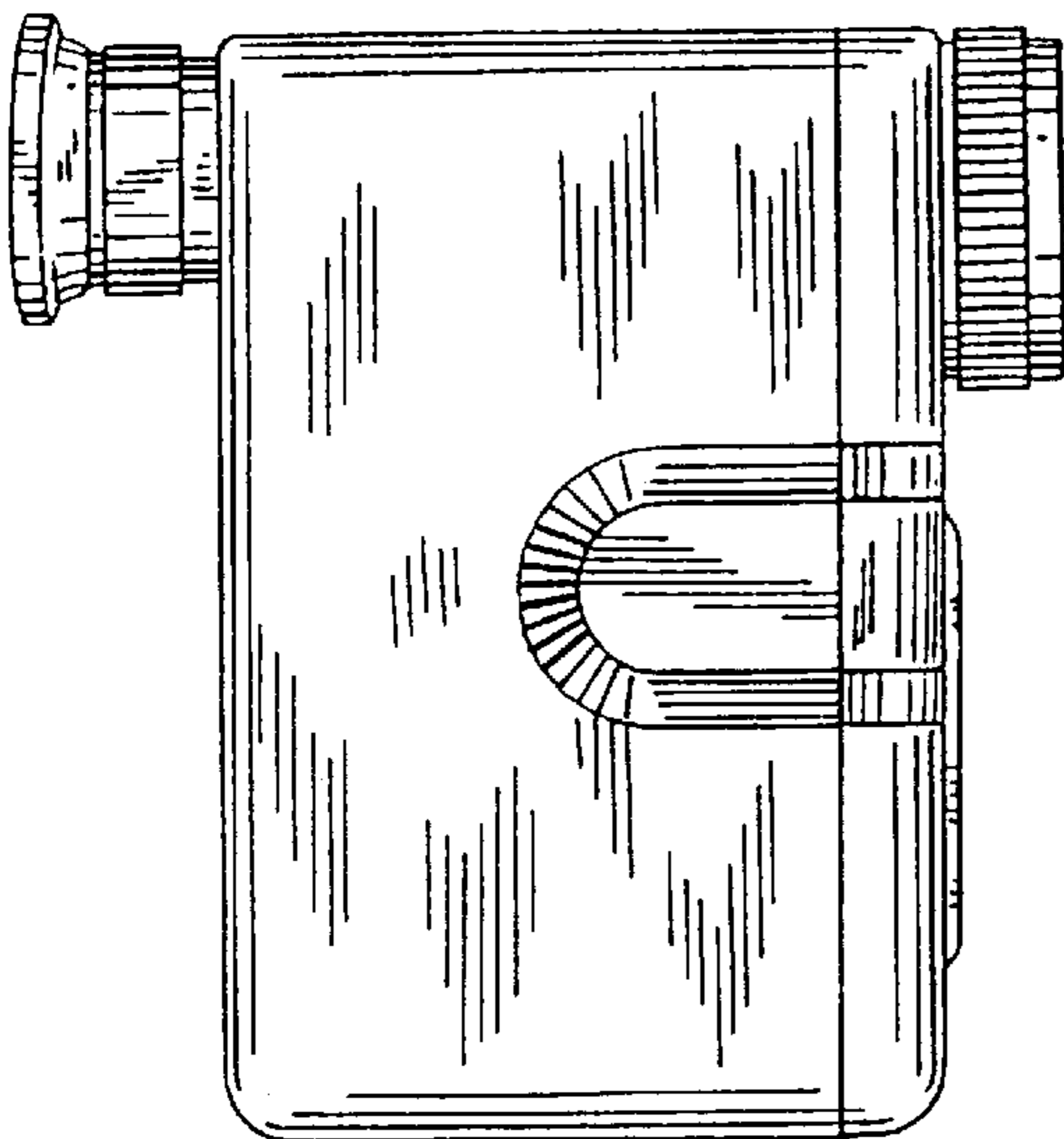


FIG. 18

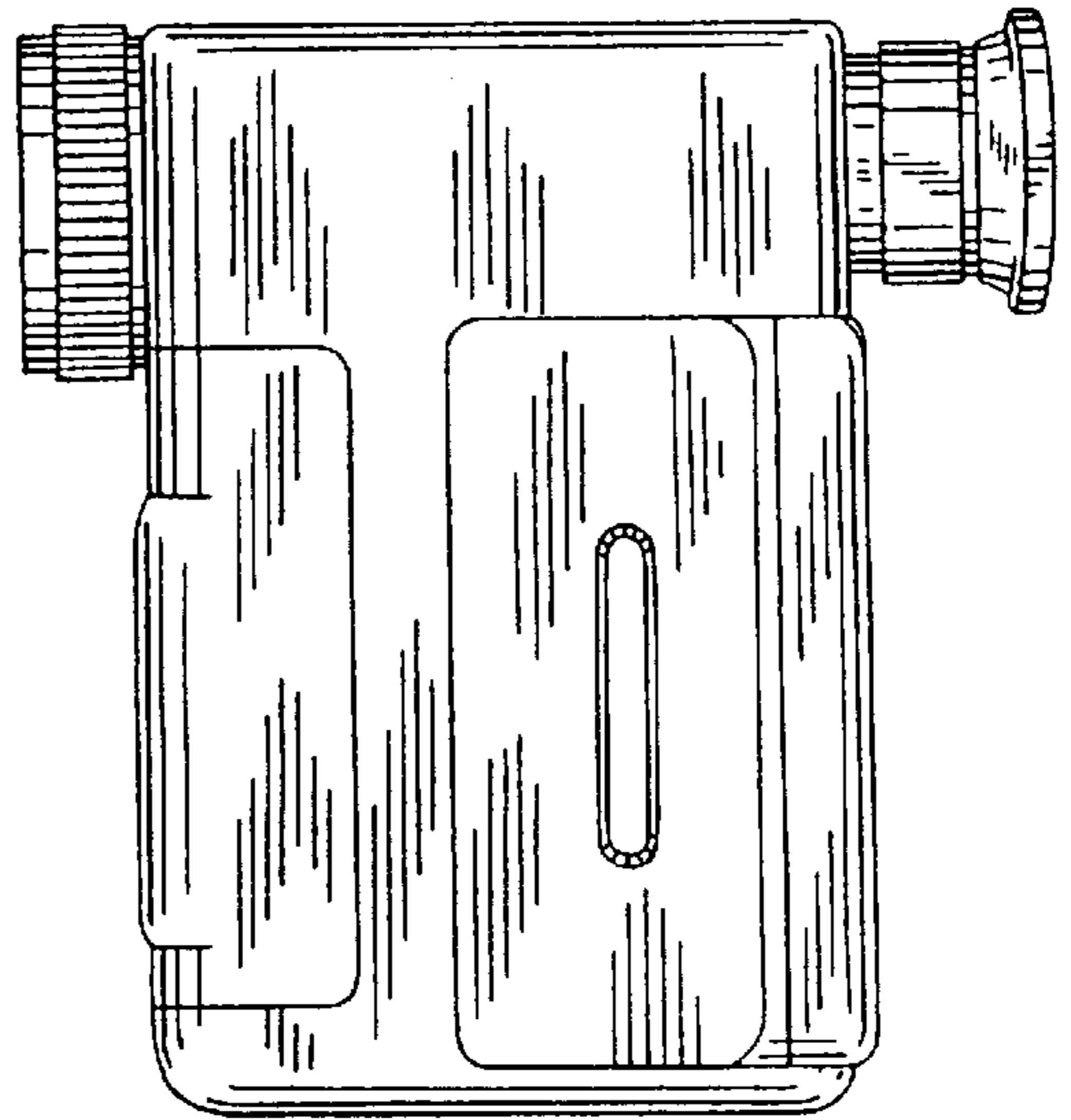


FIG. 19

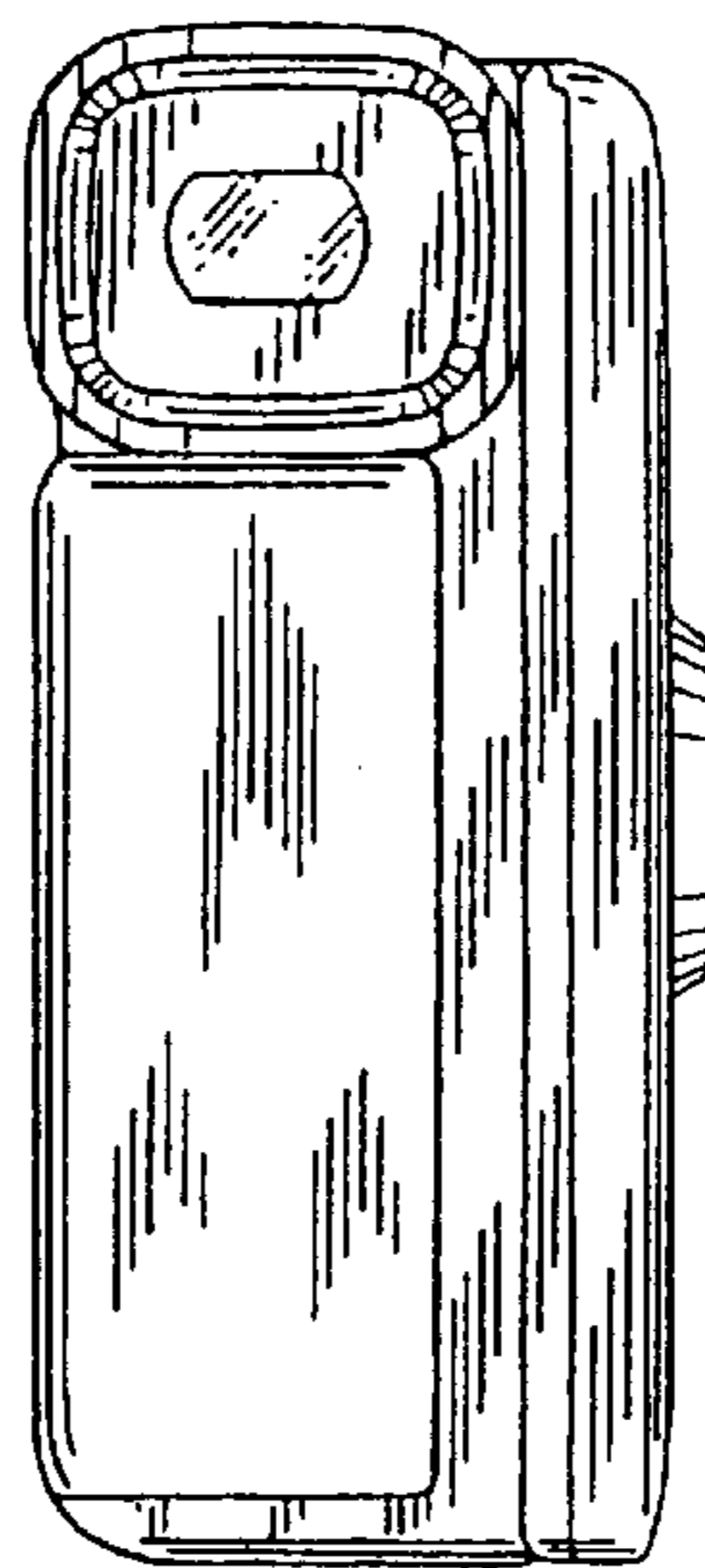


FIG. 20

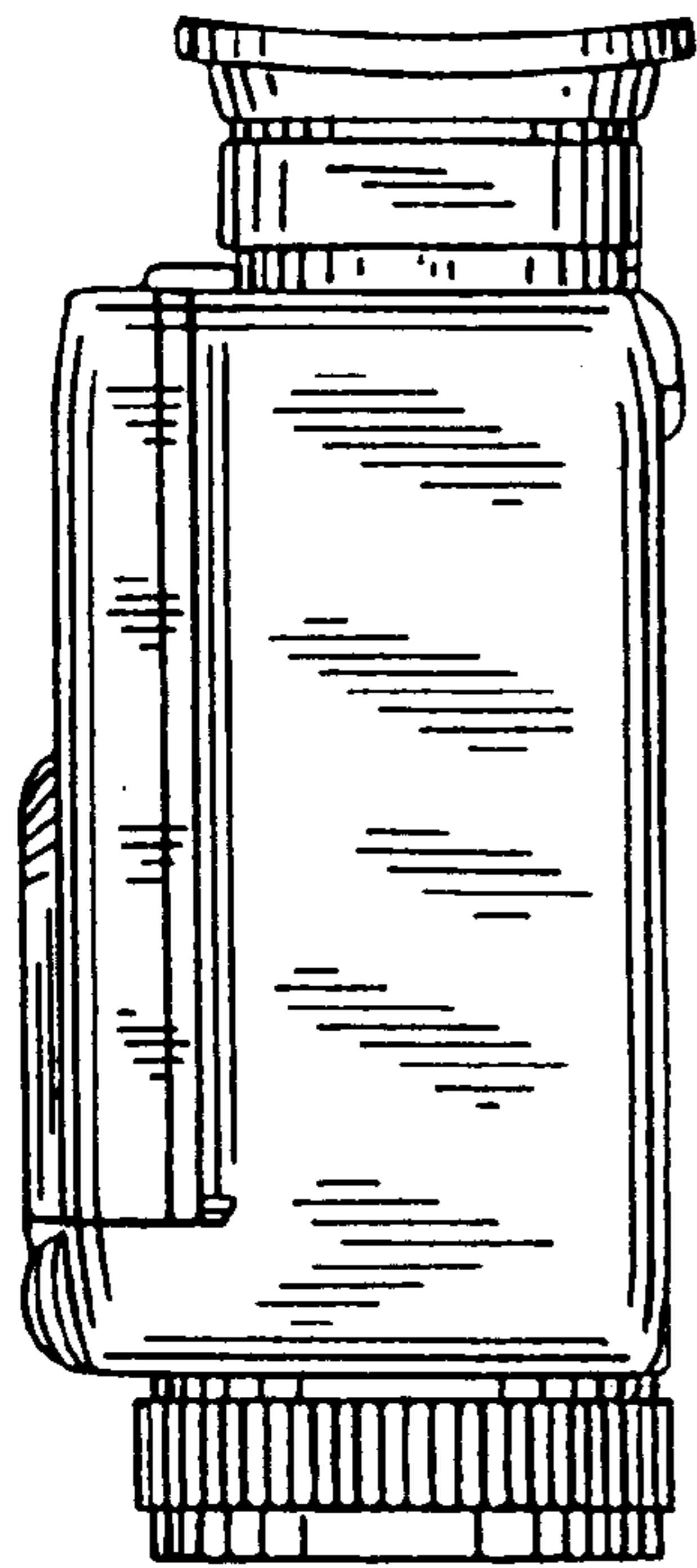


FIG. 21

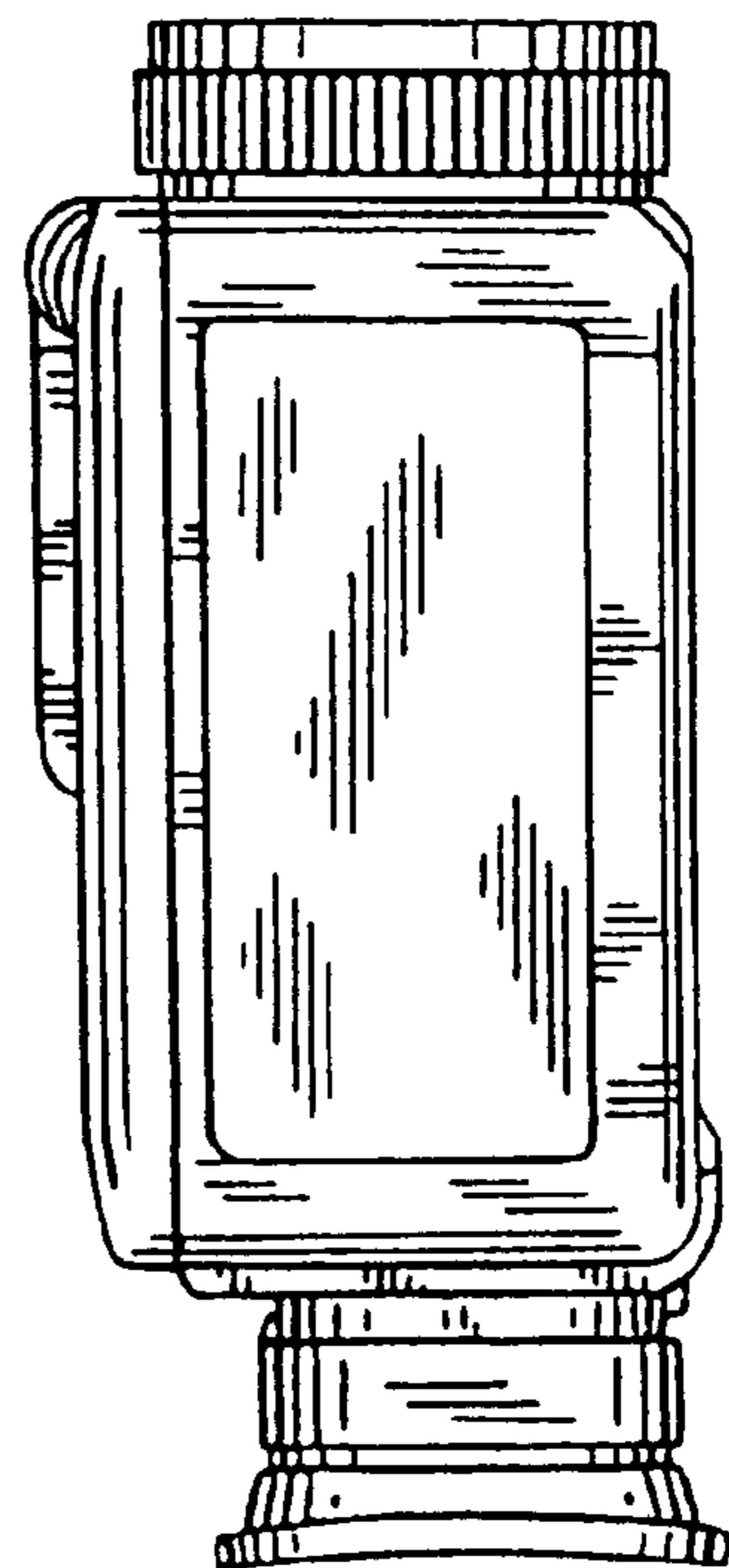


FIG. 22