



US00D429265S

United States Patent [19]

Hölbl et al.

[11] Patent Number: **Des. 429,265**

[45] Date of Patent: **** Aug. 8, 2000**

[54] **MICROSCOPE STAND**

[75] Inventors: **Werner Hölbl**, Vienna, Austria; **Scott W. Parks**, E. Amherst, N.Y.

[73] Assignee: **Leica Microsystems Inc.**, Depew, N.Y.

[**] Term: **14 Years**

[21] Appl. No.: **29/111,186**

[22] Filed: **Sep. 22, 1999**

[51] **LOC (7) Cl.** **16-06**

[52] **U.S. Cl.** **D16/131**

[58] **Field of Search** D16/130, 131;
359/368, 376, 384, 385, 393, 390, 383

[56] **References Cited**

U.S. PATENT DOCUMENTS

- D. 296,904 7/1988 Lukaszewski D16/131
- D. 345,746 4/1994 Hölbl D16/131
- D. 345,748 4/1994 Hölbl D16/131
- D. 354,761 1/1995 Komatsuzaki et al. D16/131

- D. 389,163 1/1998 Hofmann-Igl D16/131
- D. 400,548 11/1998 Komatsuzaki D16/131

Primary Examiner—Paula A. Mortimer
Attorney, Agent, or Firm—Simpson, Simpson & Snyder, L.L.P.

[57] **CLAIM**

The ornamental design for a microscope stand, as shown and described.

DESCRIPTION

FIG. 1 is a perspective view of a microscope stand showing our new design;
FIG. 2 is a left side elevational view thereof;
FIG. 3 is a right side elevational view thereof;
FIG. 4 is a front elevational view thereof;
FIG. 5 is a rear elevational view thereof;
FIG. 6 is a bottom plan view thereof; and,
FIG. 7 is a top plan view thereof.
In the figures the broken lines are for illustrative purposes only and forms no part of the claimed design.

1 Claim, 4 Drawing Sheets

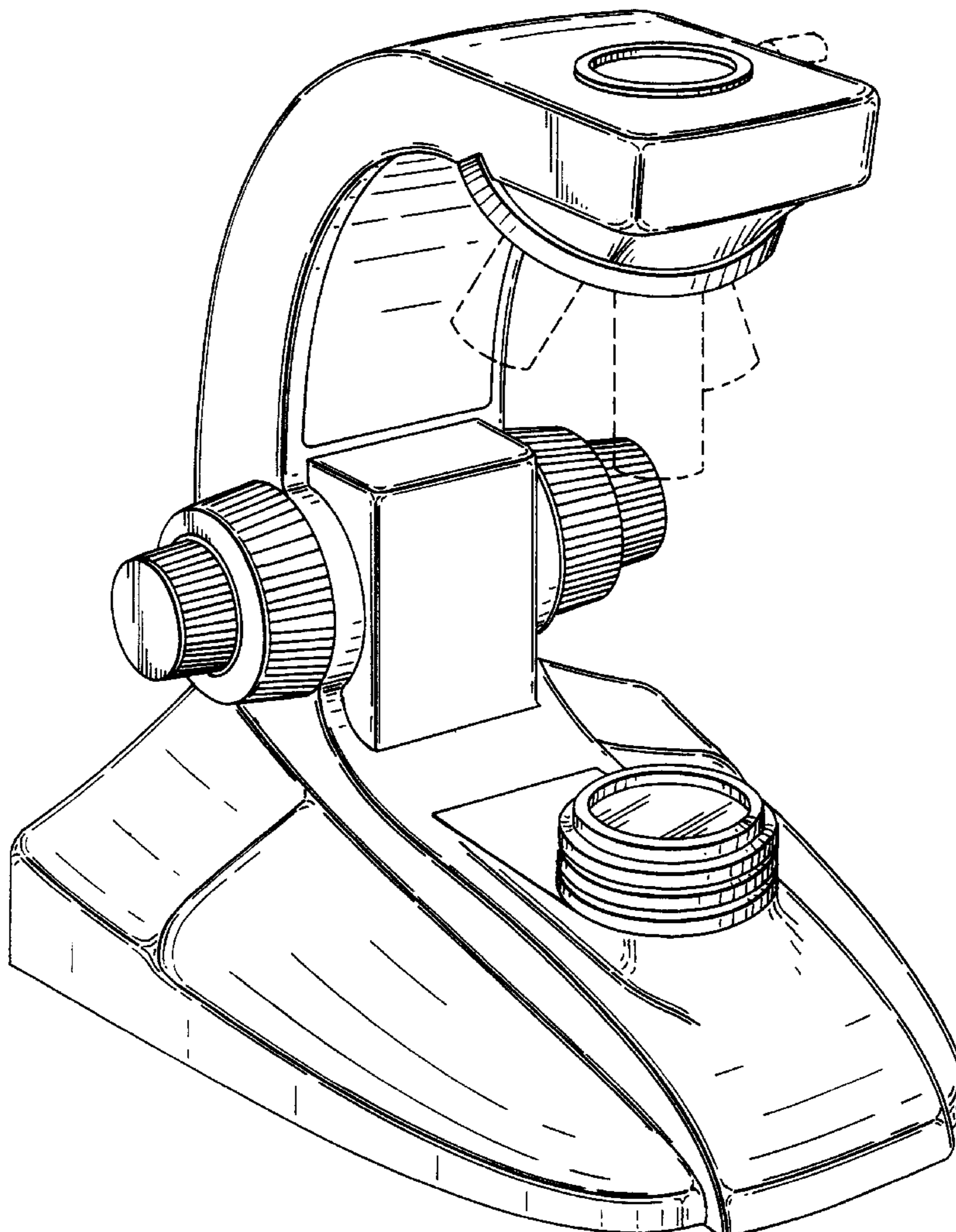
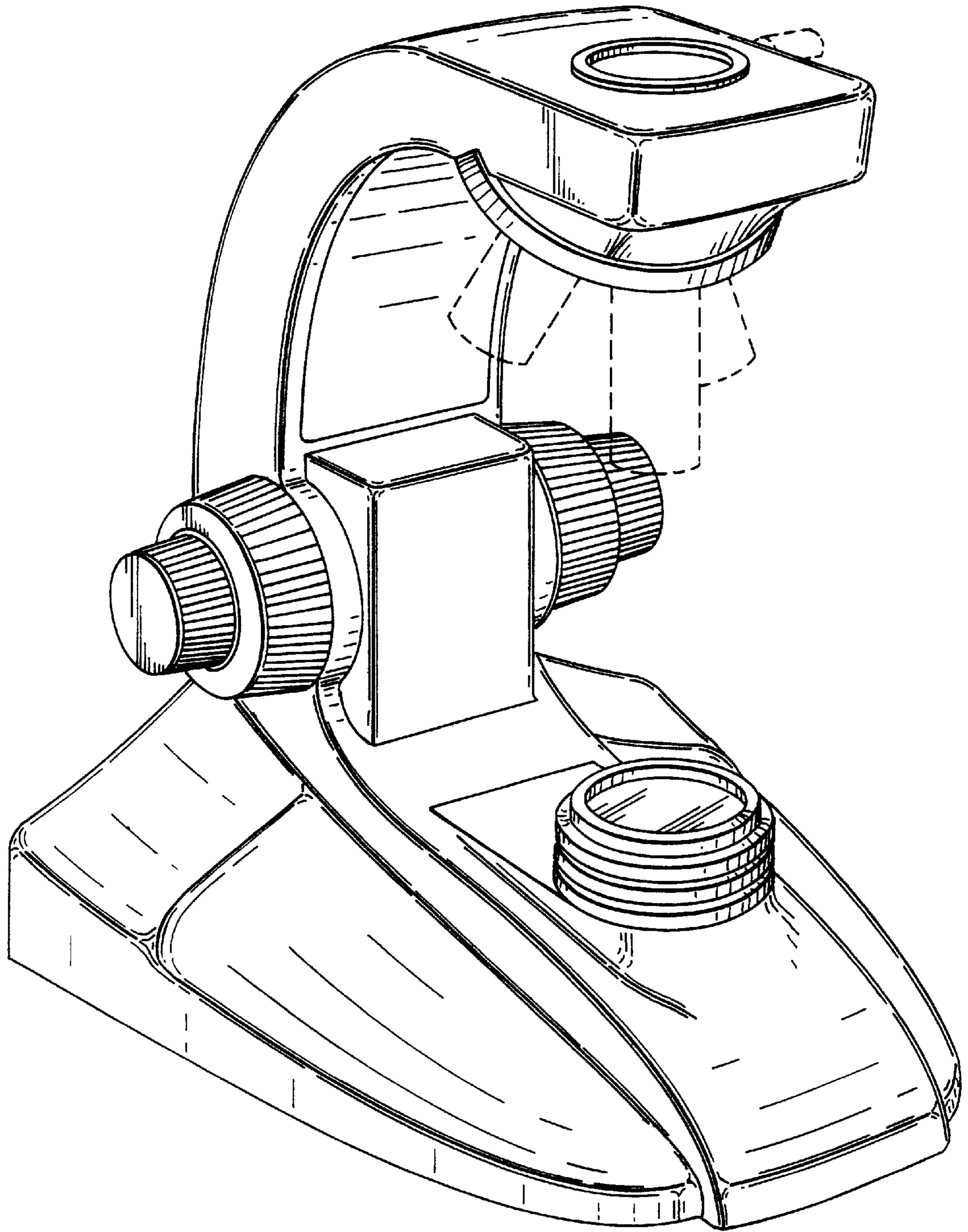


FIG. 1



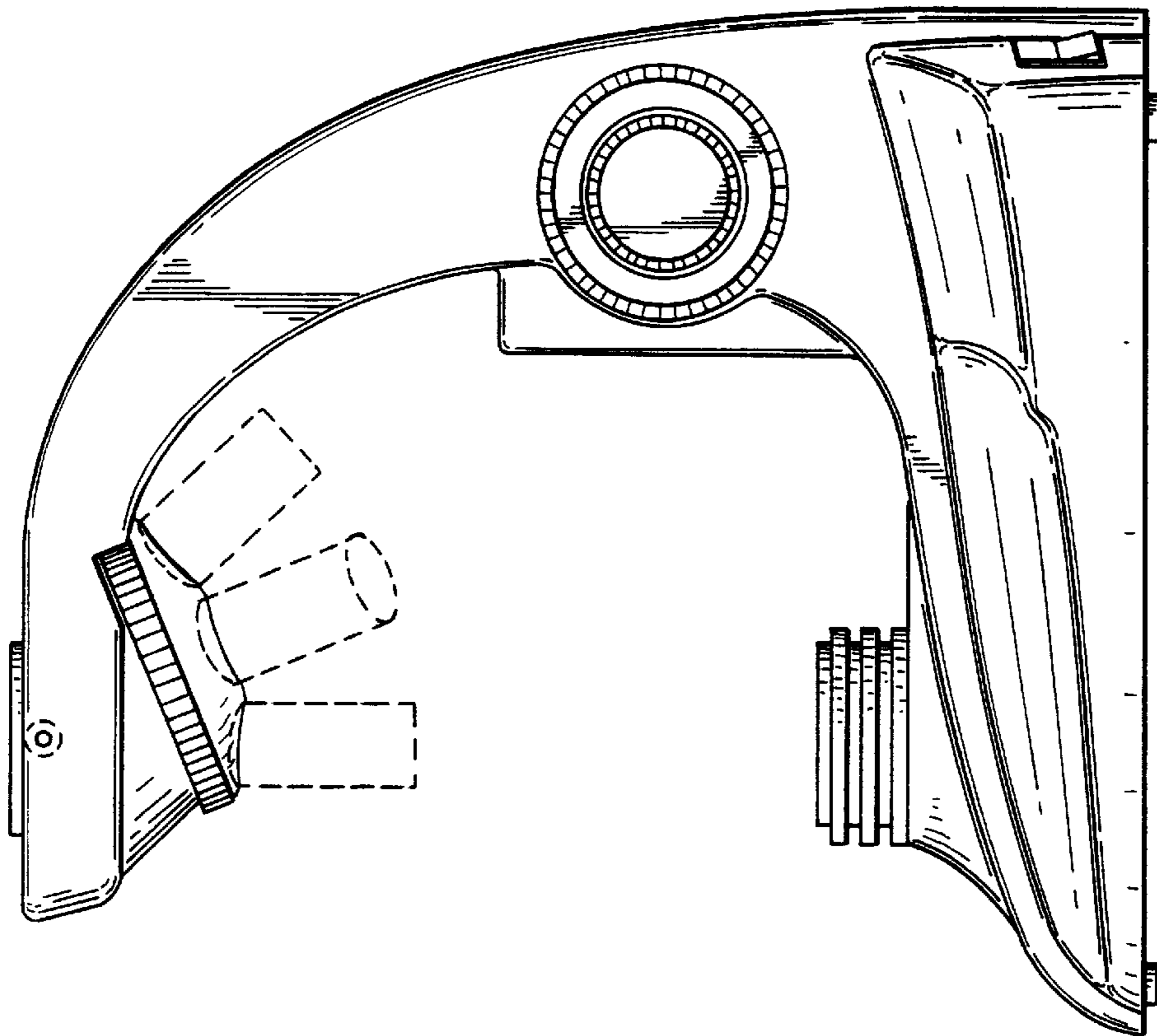


FIG. 3

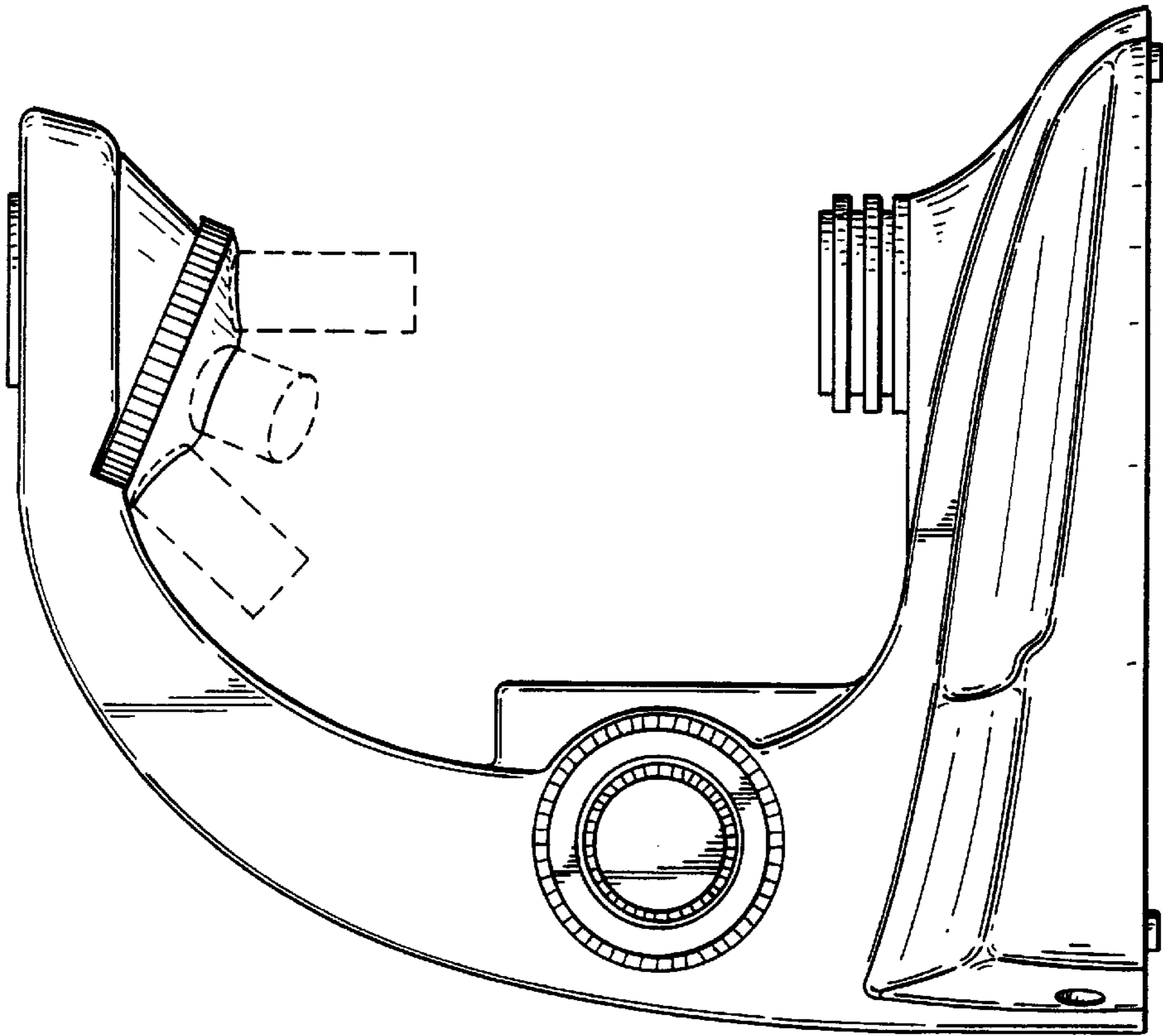


FIG. 2

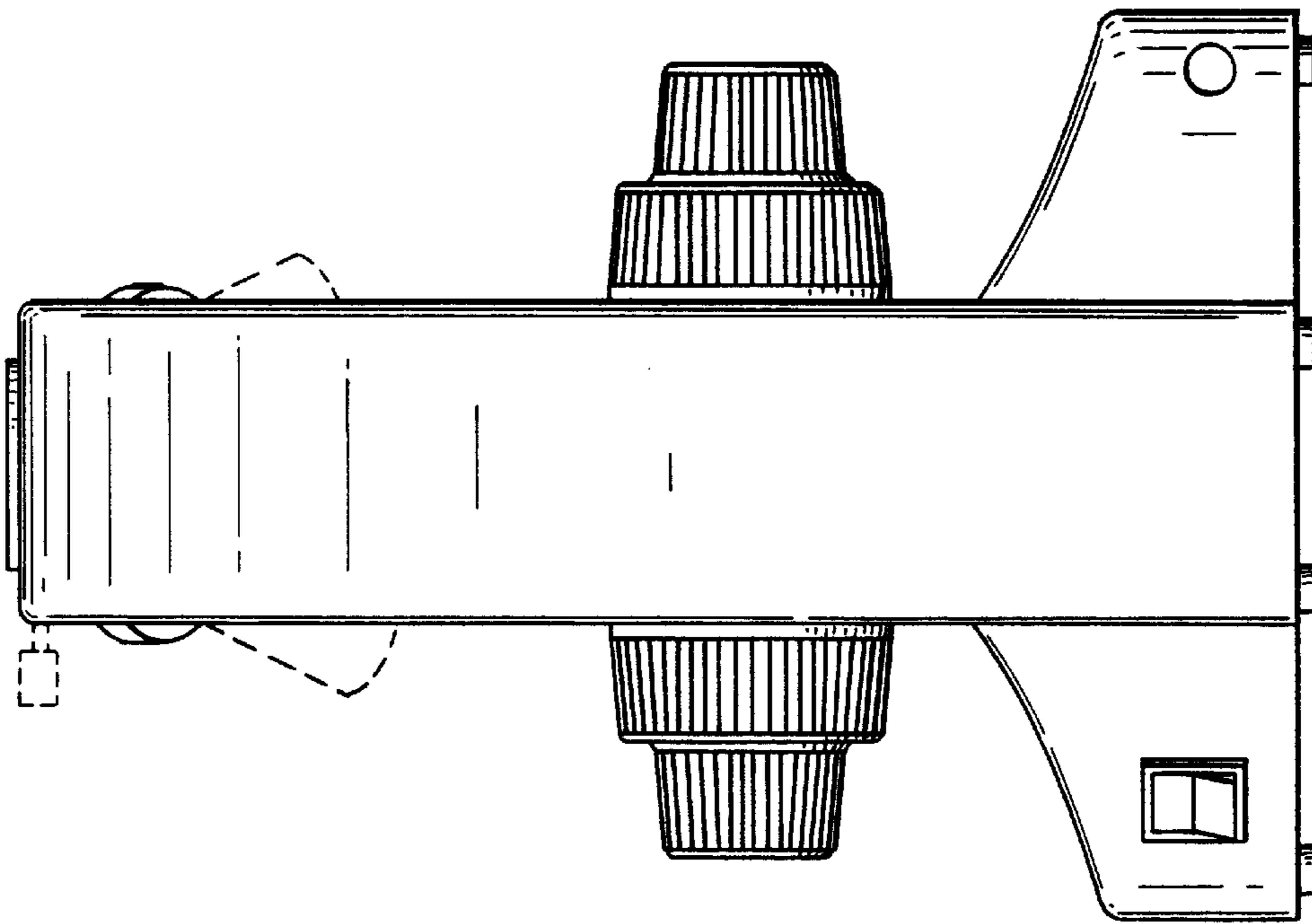


FIG. 5

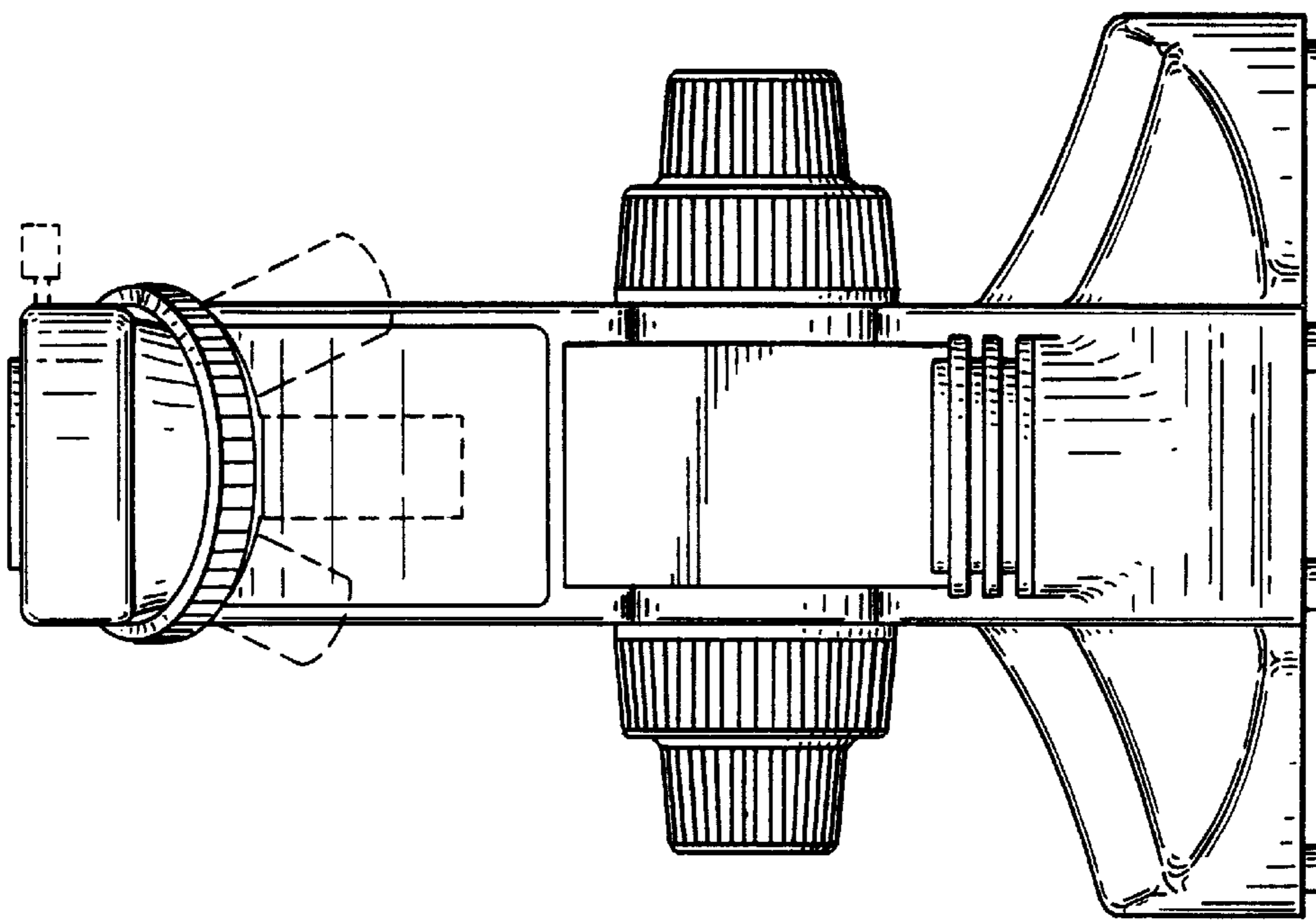


FIG. 4

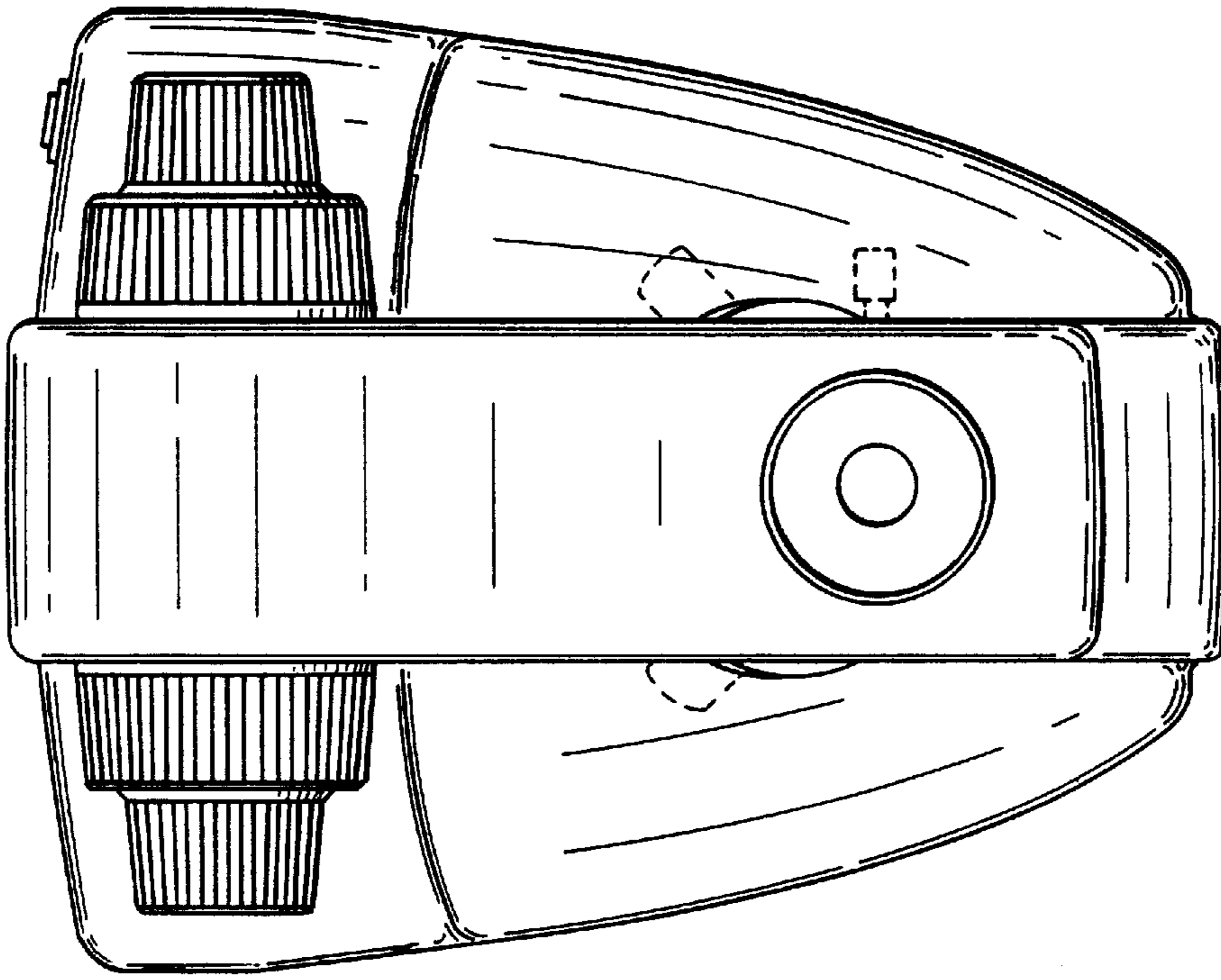


FIG. 7

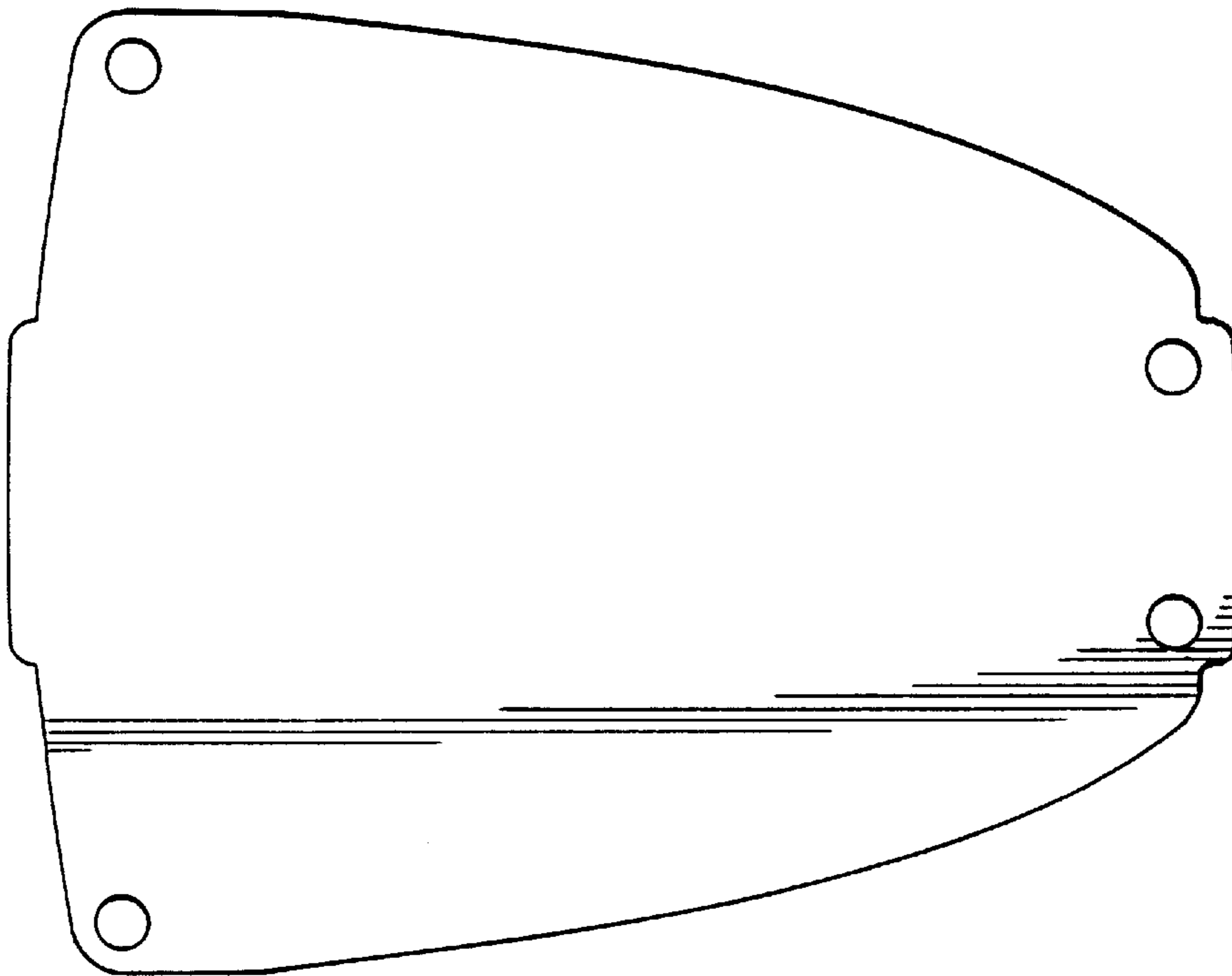


FIG. 6