



US00D429264S

United States Patent [19]
Lindstrand

[11] **Patent Number: Des. 429,264**

[45] **Date of Patent: ** *Aug. 8, 2000**

[54] **OIL LUBRICATOR FOR CONTAINING AND DISPENSING OIL**

5,904,841 5/1999 Penny 184/6.28
6,003,635 12/1999 Bantz et al. 184/27.7

[76] Inventor: **Ola Lindstrand**, 360 Laplaine F06790, Aspremont, France

Primary Examiner—Antoine Duval Davis
Attorney, Agent, or Firm—Caesar, Rivise, Bernstein, Cohen & Pokitilow, LTD

[*] Notice: This patent is subject to a terminal disclaimer.

[57] **CLAIM**

[**] Term: **14 Years**

The ornamental design for an oil lubricator for containing and dispensing oil, as shown.

[21] Appl. No.: **29/109,733**

DESCRIPTION

[22] Filed: **Aug. 20, 1999**

[51] **LOC (7) Cl.** **15-09**

[52] **U.S. Cl.** **D15/150**

[58] **Field of Search** D10/46; D15/150, D15/151, 152; 184/27.3, 6.23, 6.24, 6.28, 27.1, 31, 58.65, 81, 55, 6.4, 108; 248/129; 280/47.34, 79.2, 79.5; 418/270; 137/87; 364/140

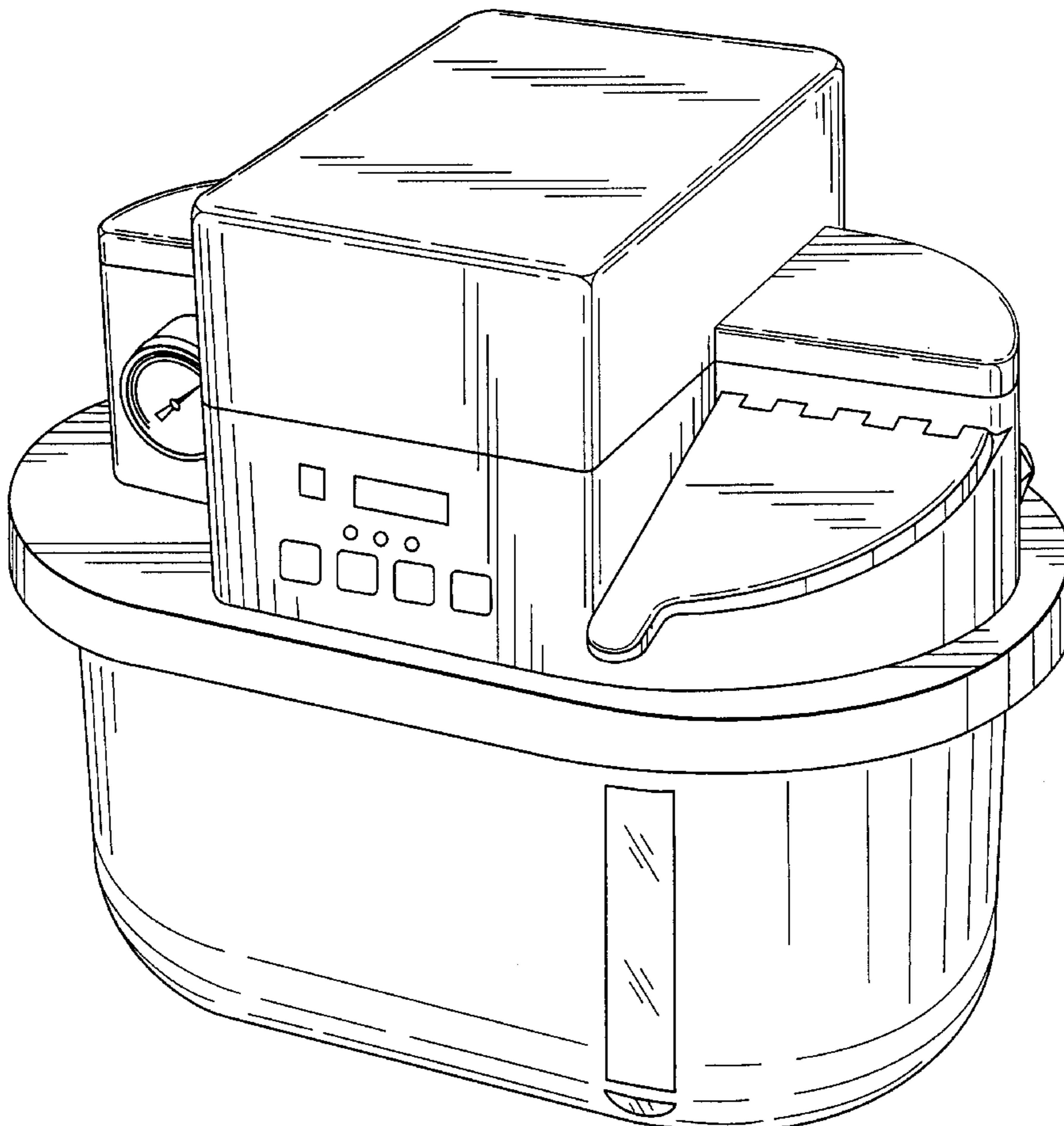
FIG. 1 is an isometric view of one embodiment of an oil lubricator employing my new design;
FIG. 2 is a front elevational view of the oil lubricator shown in FIG. 1;
FIG. 3 is a rear elevational view of the oil lubricator shown in FIG. 1;
FIG. 4 is a right side elevational view of the oil lubricator shown in FIG. 1;
FIG. 5 is a left side elevational view of the oil lubricator shown in FIG. 1;
FIG. 6 is a plan view of the oil lubricator shown in FIG. 1; and,
FIG. 7 is a bottom view of the oil lubricator shown in FIG. 1.

[56] **References Cited**

U.S. PATENT DOCUMENTS

- D. 192,837 5/1962 Aldred, Jr. D15/150
- D. 374,447 10/1996 Brewer D15/150
- D. 379,097 5/1997 Brewer D15/150

1 Claim, 4 Drawing Sheets



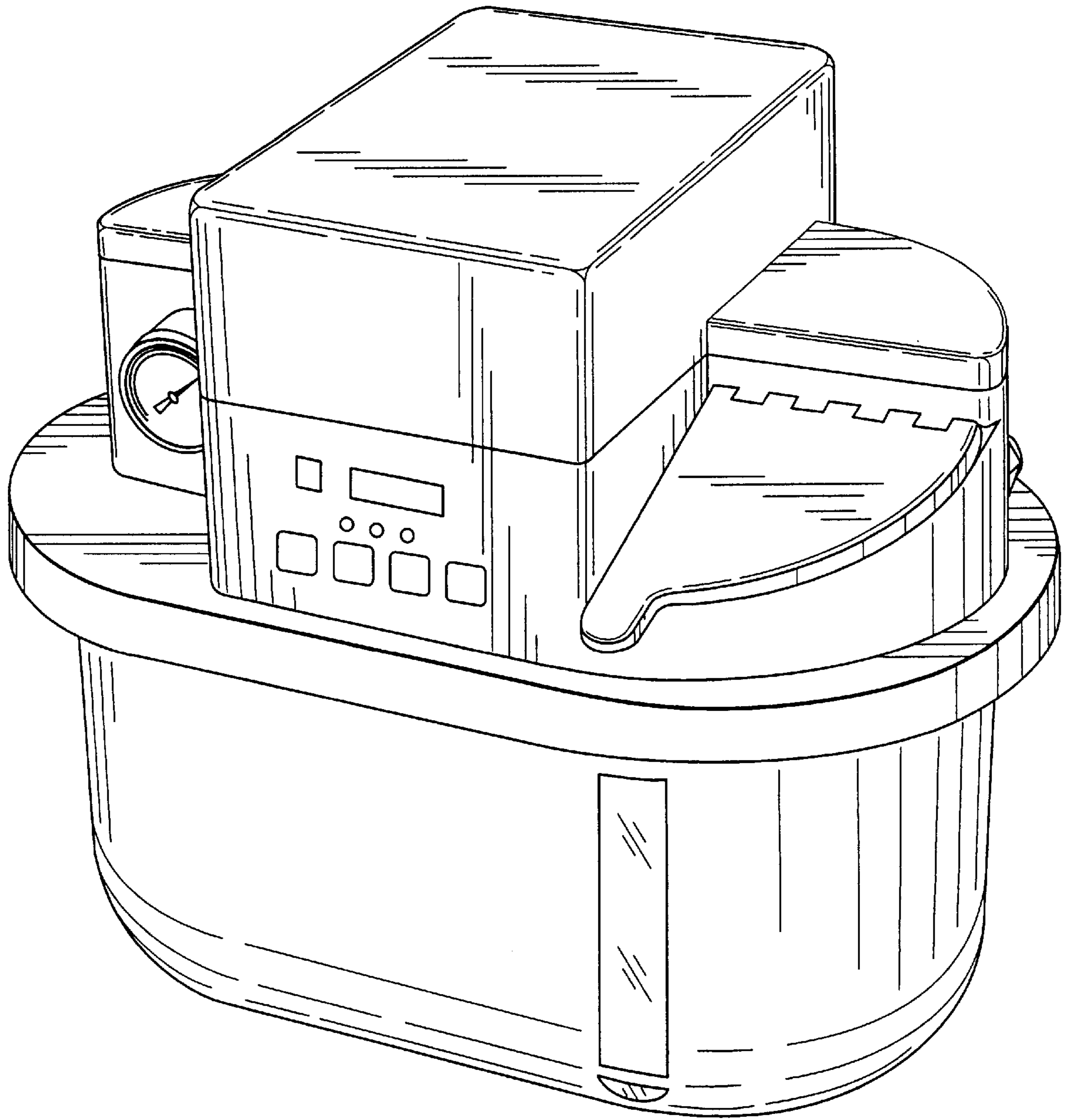


FIG. 1

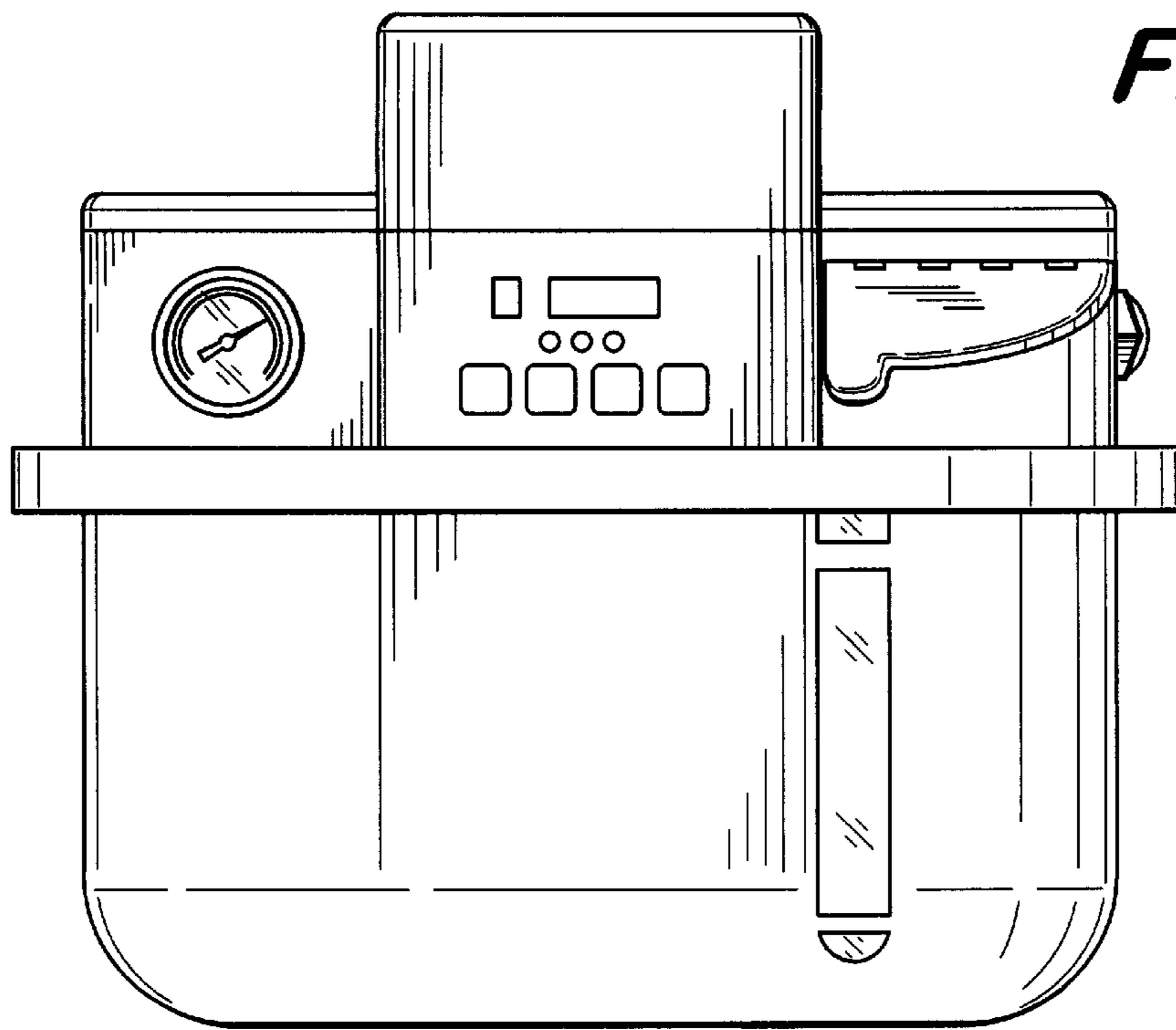


FIG. 2

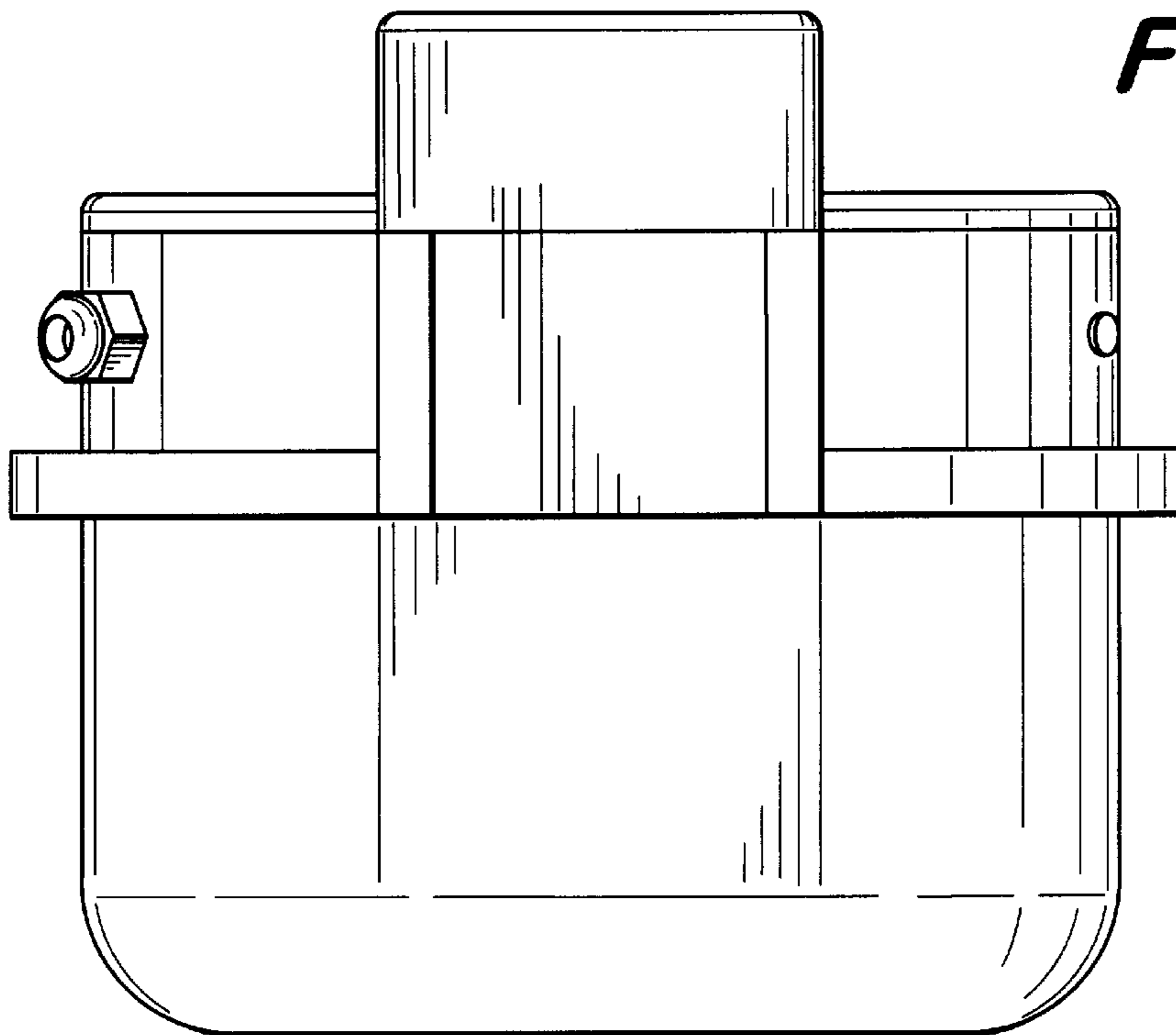


FIG. 3

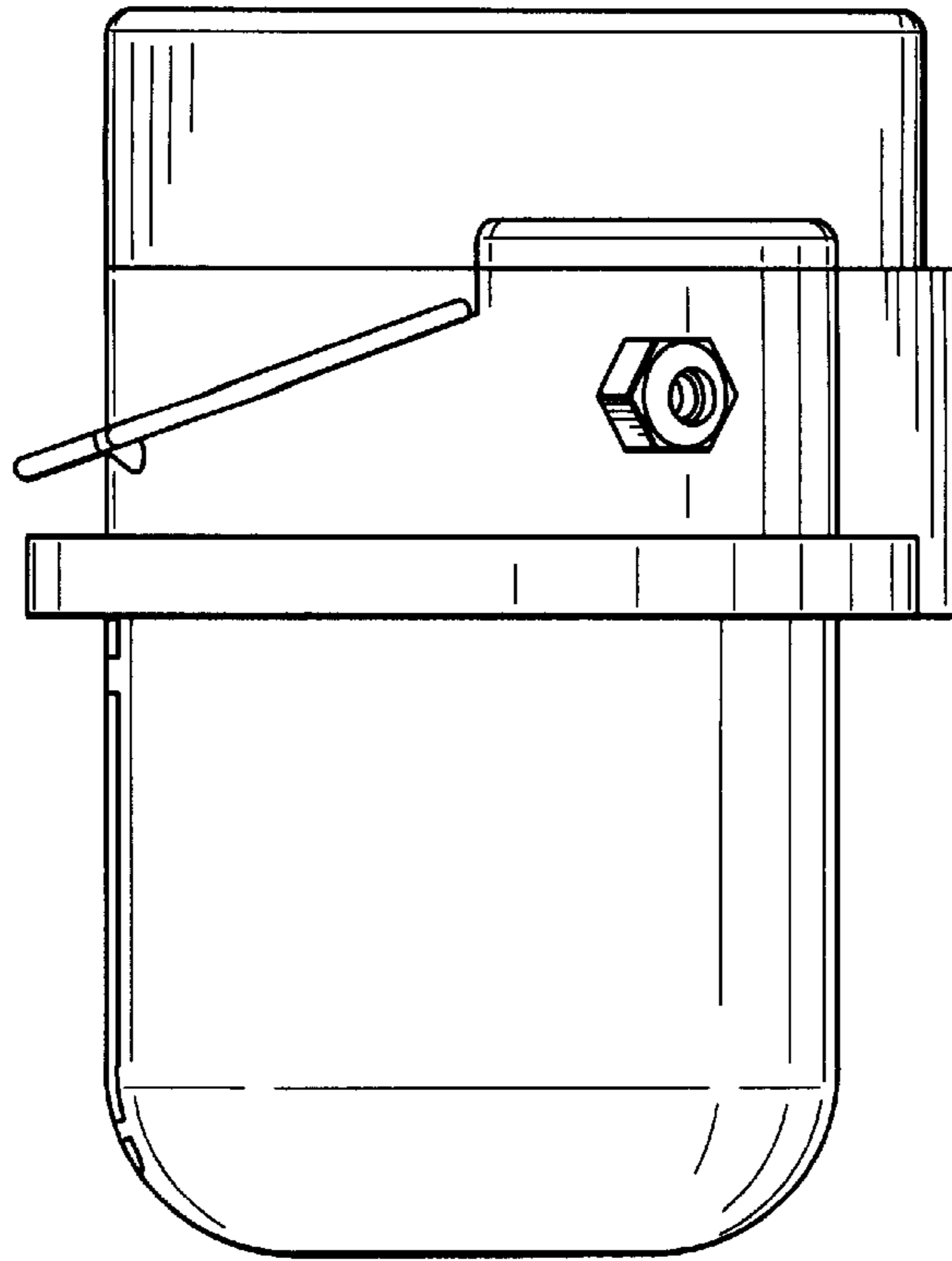


FIG. 4

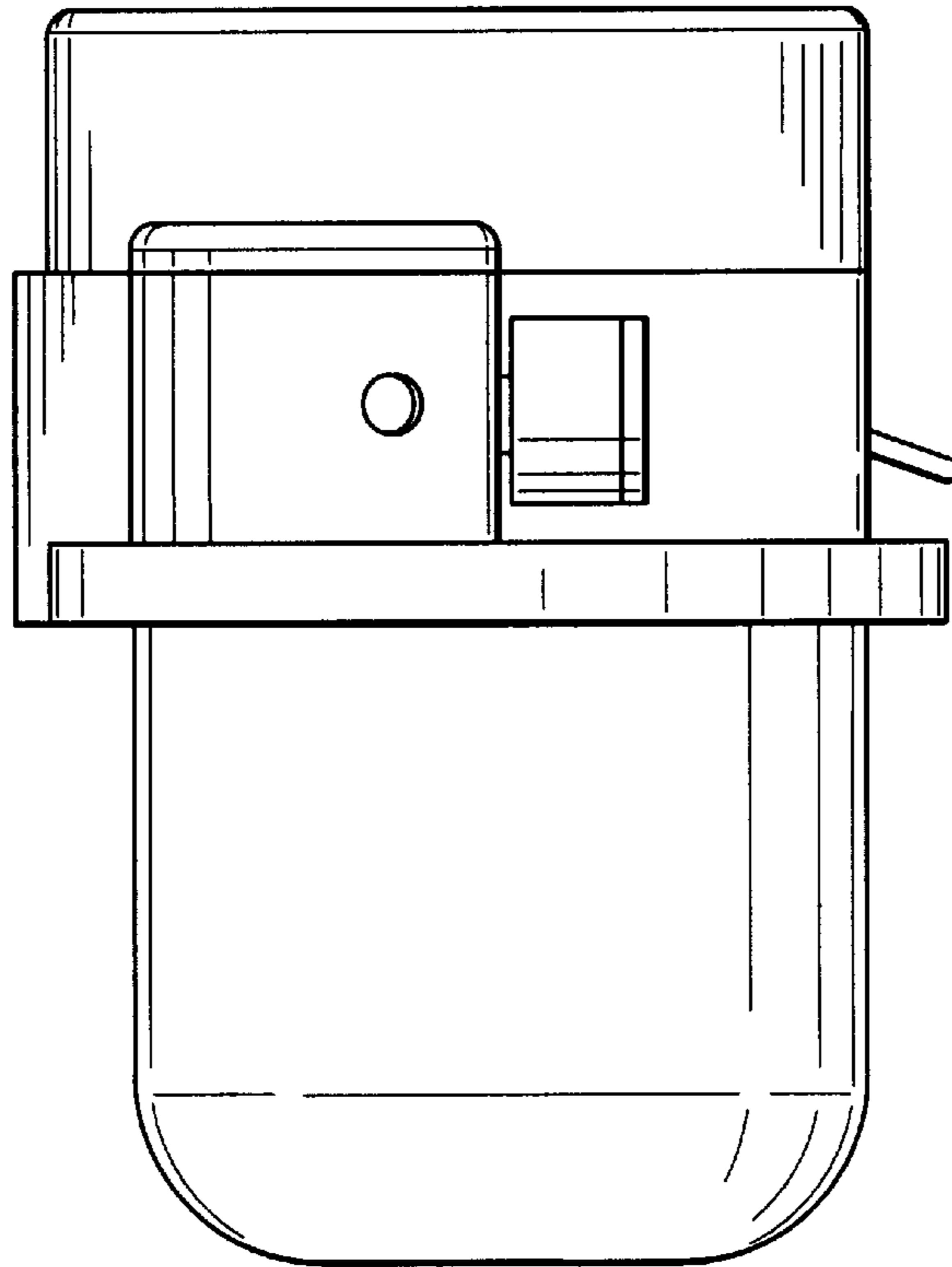


FIG. 5

FIG. 6

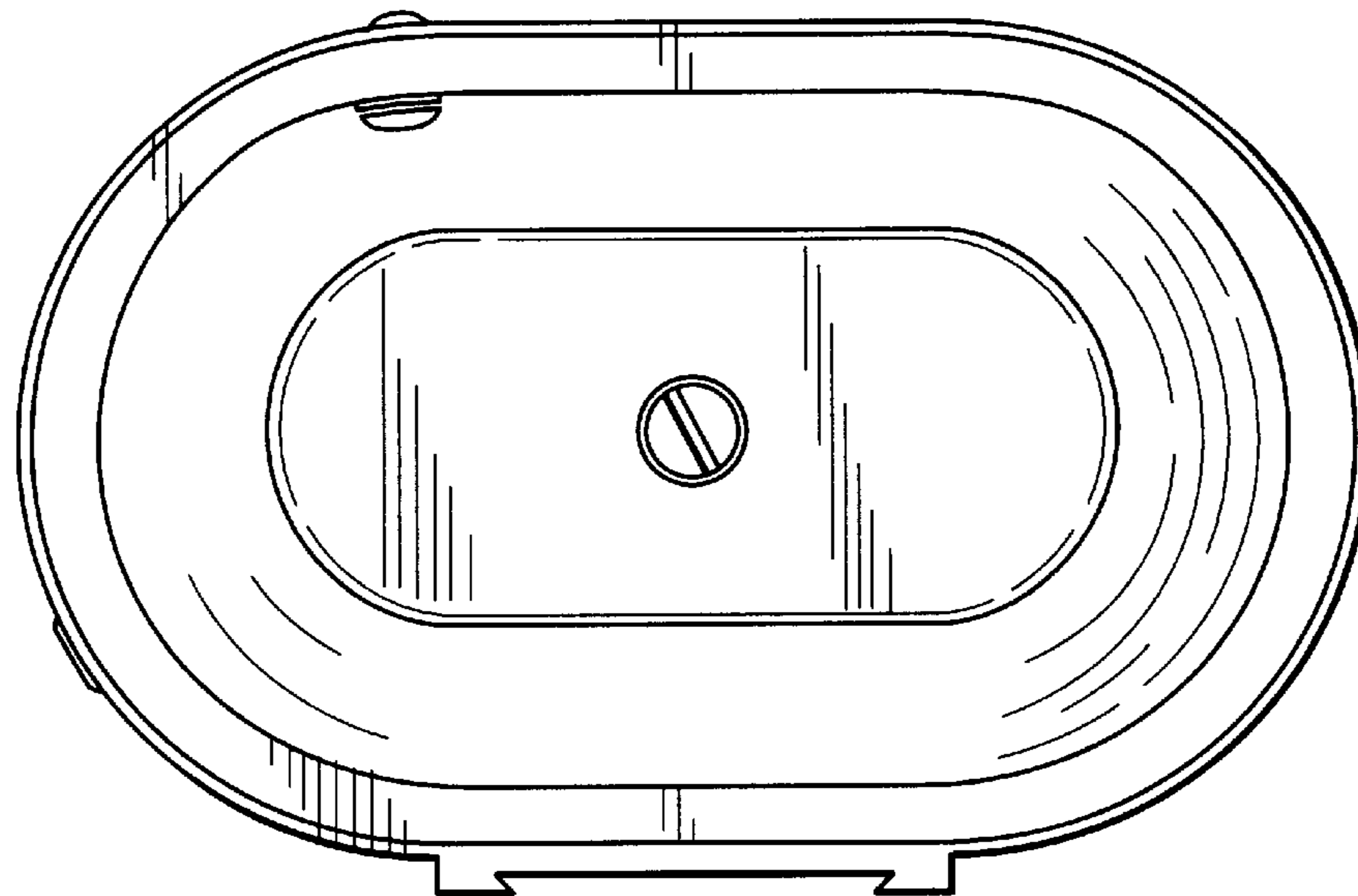
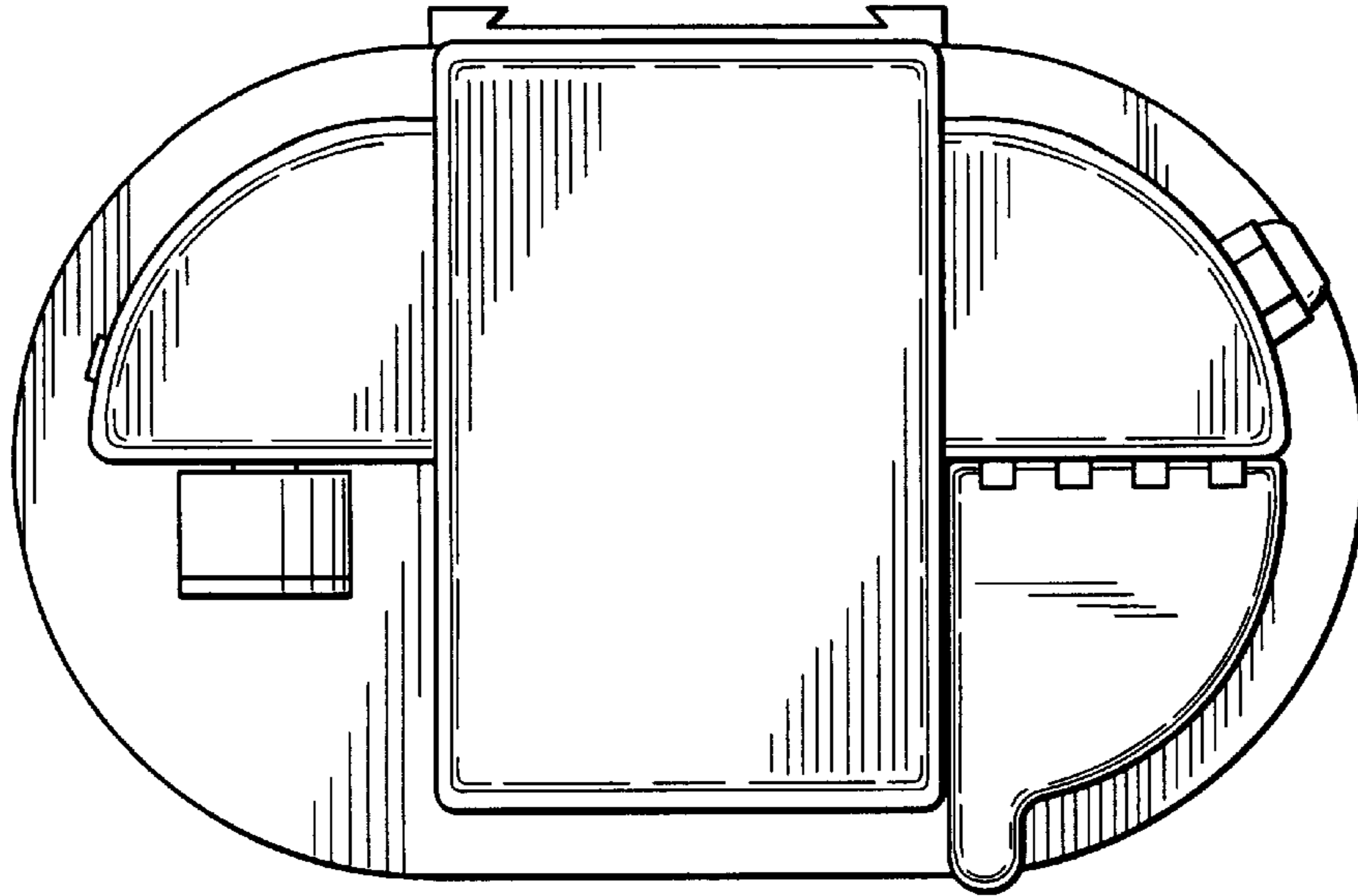


FIG. 7