



US00D429262S

United States Patent [19] Streich

[11] **Patent Number: Des. 429,262**

[45] **Date of Patent: ** Aug. 8, 2000**

[54] **TOOL BIT HOLDER**

[75] Inventor: **John P. Streich**, Baltimore, Md.

[73] Assignee: **Black & Decker Inc.**, Newark, Del.

[**] Term: **14 Years**

[21] Appl. No.: **29/089,970**

[22] Filed: **Jun. 26, 1998**

[51] **LOC (7) Cl.** **15-09**

[52] **U.S. Cl.** **D15/140; D8/70**

[58] **Field of Search** D8/70; D15/140;
408/239, 143, 144, 223, 226, 240; 407/101,
102, 64, 99, 117; 299/10, 104; 279/19.3,
19.5; 82/158

[56] **References Cited**

U.S. PATENT DOCUMENTS

- D. 181,189 10/1957 Fegan .
- D. 296,412 6/1988 Nelson et al. .
- D. 298,207 10/1988 Kilmer et al. .
- D. 301,114 5/1989 Fushiya et al. .
- D. 301,299 5/1989 Chapin .
- D. 323,606 2/1992 Chang .
- D. 325,860 5/1992 Fushiya et al. .
- D. 327,829 7/1992 Mochida .
- D. 328,556 8/1992 Fushiya et al. .
- D. 332,040 12/1992 Hoshino et al. .

(List continued on next page.)

FOREIGN PATENT DOCUMENTS

- 0221279 of 1986 European Pat. Off. .
- 3243399 of 1984 Germany .
- 4403906 of 1994 Germany .
- 19647912 of 1996 Germany .

OTHER PUBLICATIONS

Package sample of Black & Decker Cat. No. 71-485 Keyless Chuck, dated 1989.

German Design Gazette M97 06 919 dated May 25, 1998.

German Design Gazette M92 05 204 dated Nov. 25, 1992.

Meen Gang ad (unknown date).

German Design Gazette M94 05 172 dated Nov. 10, 1994.
German Design Gazette M96 07 917 dated Mar. 25, 1997.
German Design Gazette M97 01 321 dated Aug. 25, 1997.

Primary Examiner—Antoine Duval Davis
Attorney, Agent, or Firm—Charles E. Yocum; Dennis A. Dearing; John D. Del Ponti

[57] **CLAIM**

The ornamental design for a tool bit holder, as shown and described.

DESCRIPTION

The subject matter of the present application is related to a U.S. Design Application Serial No. 29/089971, filed on June 26, 1998, and entitled "Collar for Tool Bit Holder", assigned to the assignee of the present application.

FIG. 1 is a front perspective view of a tool bit holder of the present invention, taken from above;

FIG. 2 is a rear perspective view of the tool bit holder of FIG. 1, taken from above;

FIG. 3 is an elevational view of the tool bit holder of FIG. 1, taken from one side (both side elevational views, and both the top and bottom plan views being identical to one another);

FIG. 4 is an elevational view of the tool bit holder of FIG. 1, taken from the rear;

FIG. 5 is an elevational view of the tool bit holder of FIG. 1, taken from the front;

FIG. 6 is a front perspective view of another embodiment of the tool bit holder of the present invention, taken from above;

FIG. 7 is a rear perspective view of the tool bit holder of FIG. 6, taken from above;

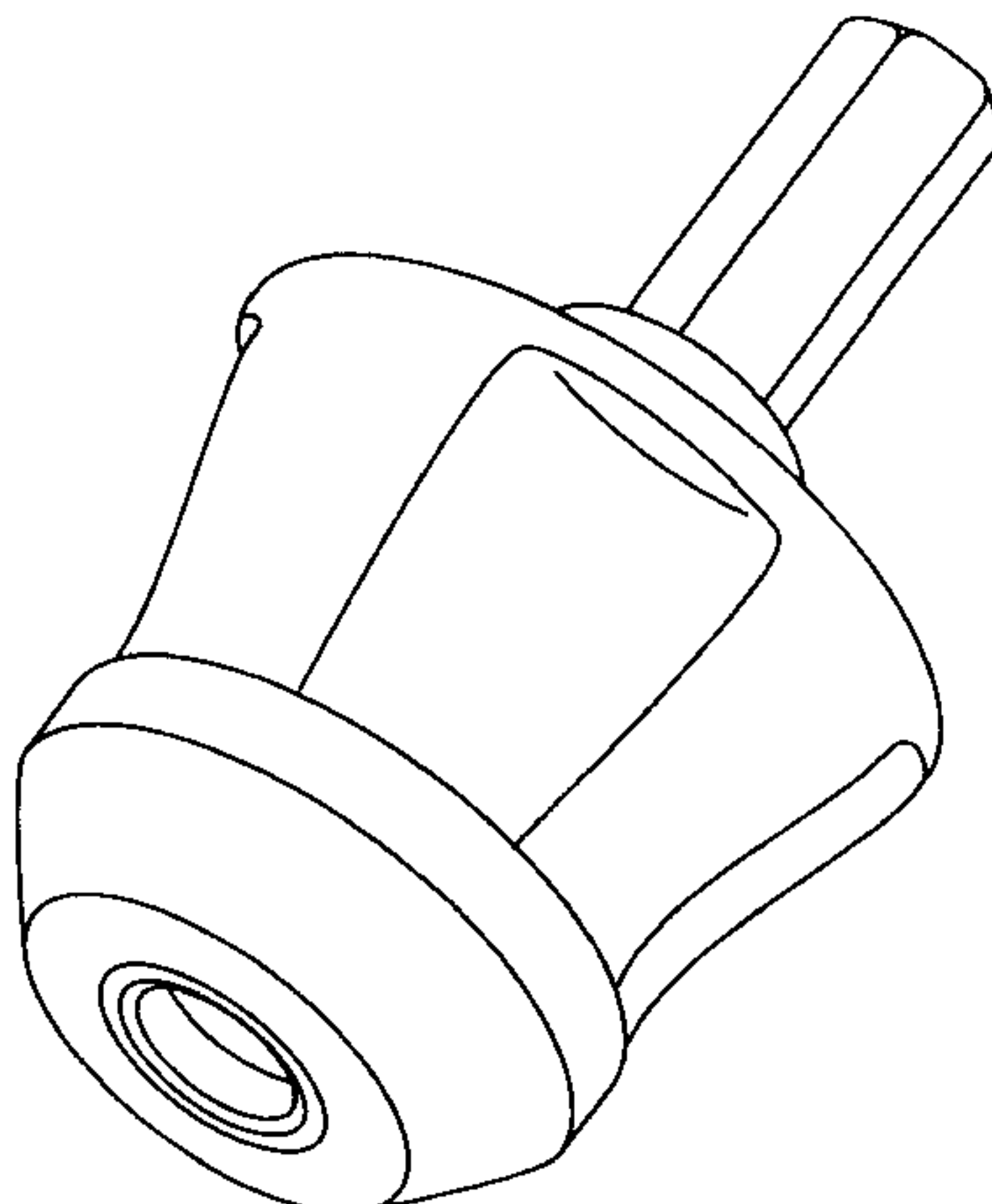
FIG. 8 is an elevational view of the tool bit holder of FIG. 6, taken from one side (both side elevational views, and both the top and bottom plan view being identical to one another);

FIG. 9 is an elevational view of the tool bit holder of FIG. 6, taken from the front; and,

FIG. 10 is an elevational view of the tool bit holder of FIG. 6, taken from the rear.

The lines shown in phantom are for illustrative purposes only and form no part of the claimed design of FIGS. 6 through 10.

1 Claim, 4 Drawing Sheets



U.S. PATENT DOCUMENTS

D. 332,208	1/1993	Sakamoto et al. .	D. 385,617	10/1997	Fowler .	
D. 333,080	2/1993	Fushiya et al. .	1,138,465	5/1915	Fegley et al. .	
D. 337,710	7/1993	Lui et al. .	2,518,139	3/1950	Hallowell et al. .	
D. 340,393	10/1993	Okumura .	3,023,015	2/1962	Pankow .	
D. 340,394	10/1993	Okumura .	3,219,355	11/1965	Fujinuma .	
D. 343,105	1/1994	Shibata et al. .	3,260,541	7/1966	Sadler et al. .	
D. 343,567	1/1994	Okumura .	4,252,333	2/1981	Vogel .	
D. 344,000	2/1994	Shibata et al. .	4,287,923	9/1981	Hornung .	
D. 346,541	5/1994	Somers .	4,460,296	7/1984	Sivertson, Jr. .	
D. 356,932	4/1995	Owens et al. .	4,629,375	12/1986	Lieser .	
D. 359,215	6/1995	Zurwelle .	4,692,073	9/1987	Martindell .	
D. 359,217	6/1995	Owens et al. .	4,695,065	9/1987	Komatsu et al. .	
D. 359,432	6/1995	Owens .	5,066,173	11/1991	Gaffan et al.	408/144 X
D. 360,129	7/1995	Guegan et al. .	5,135,241	8/1992	Huff et al. .	
D. 360,814	8/1995	Kmata .	5,167,476	12/1992	Lafferty et al.	408/240 X
D. 362,167	9/1995	Zurwelle .	5,188,378	2/1993	Erienkenser .	
D. 363,295	10/1995	Barton .	5,342,154	8/1994	Holzer .	
D. 366,052	1/1996	Barton et al. .	5,755,448	5/1998	Kanaan et al. .	
			5,851,093	12/1998	Erickson	408/240 X

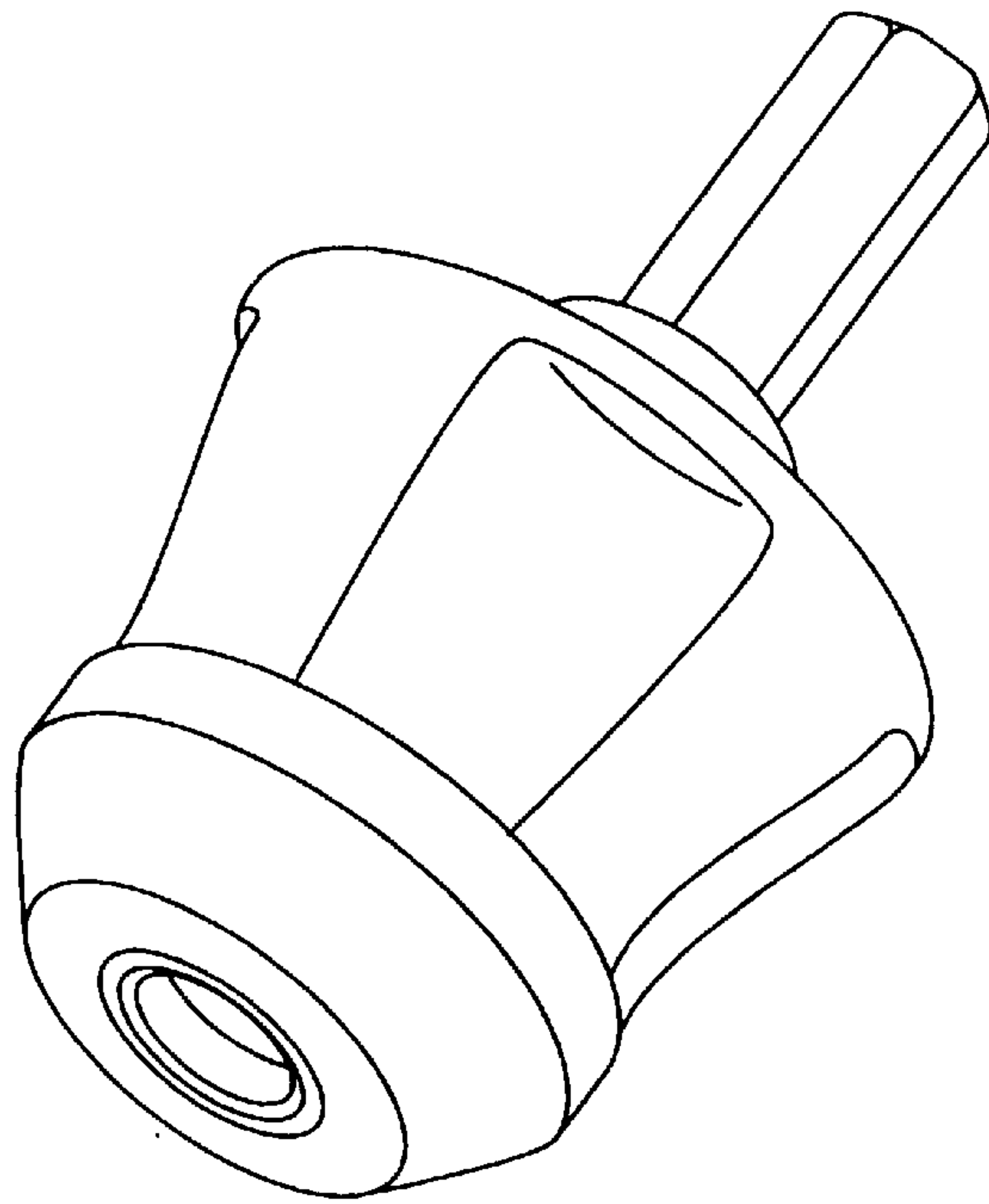


FIG. 1

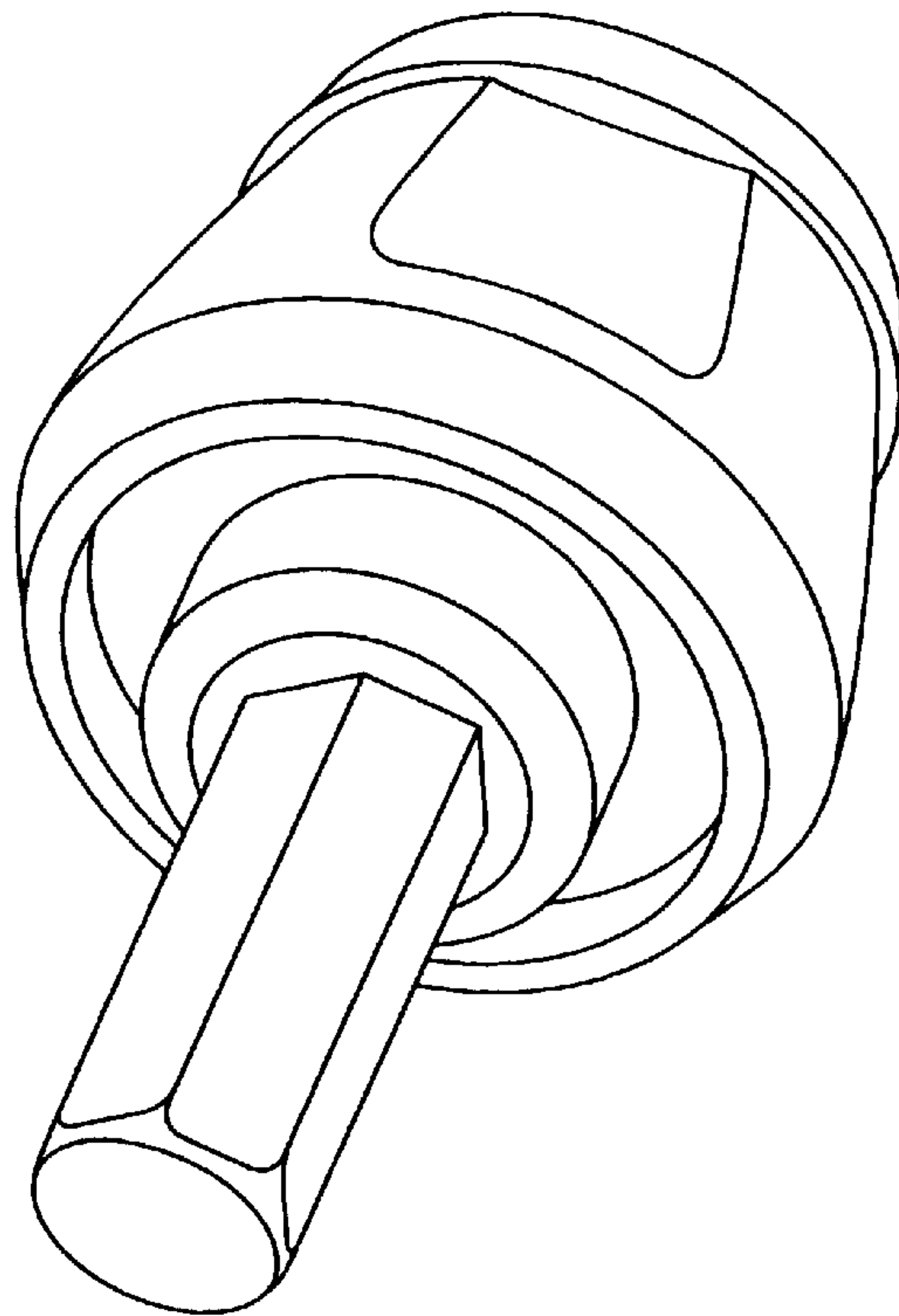


FIG. 2

FIG. 3

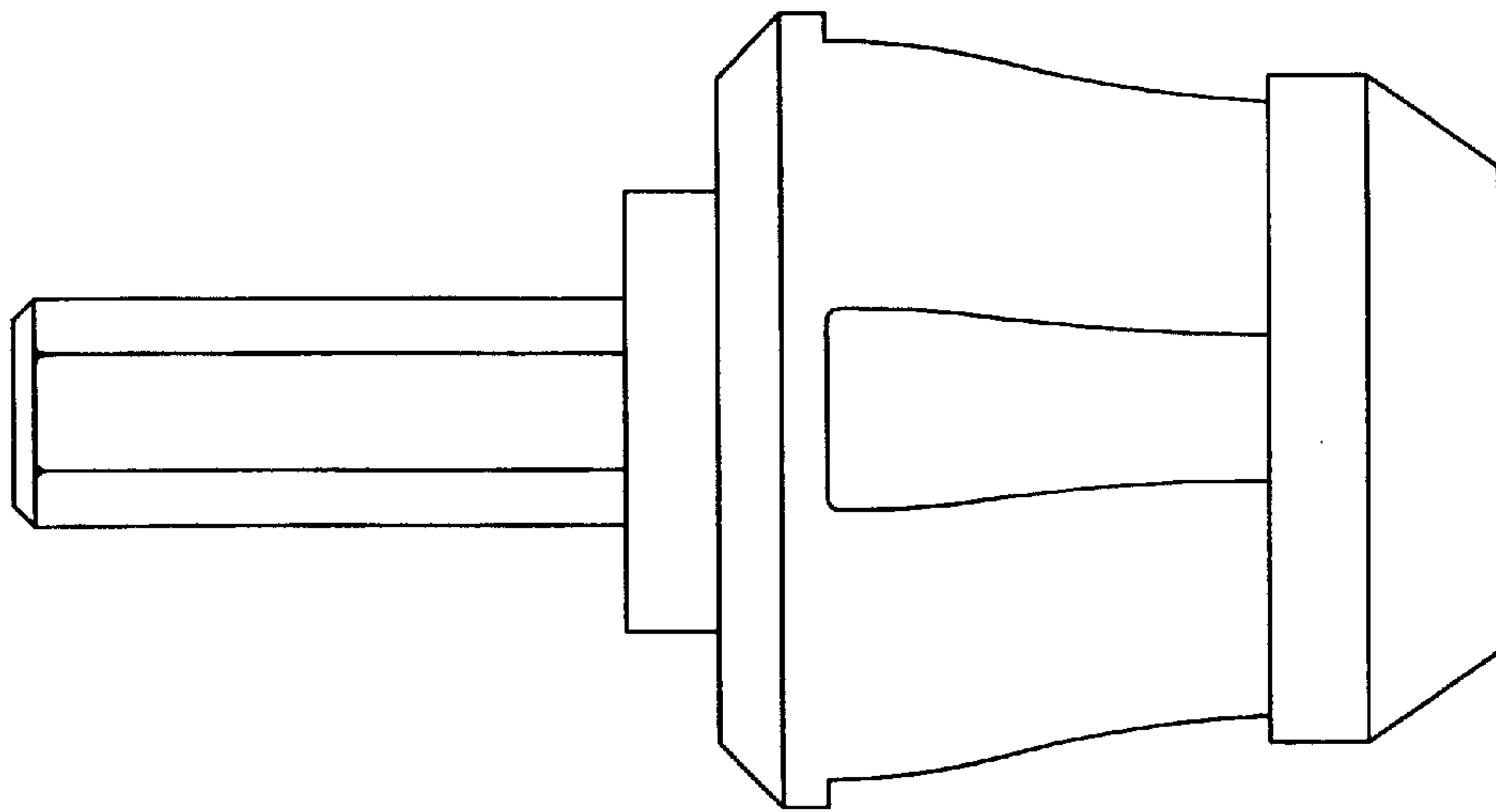


FIG. 4

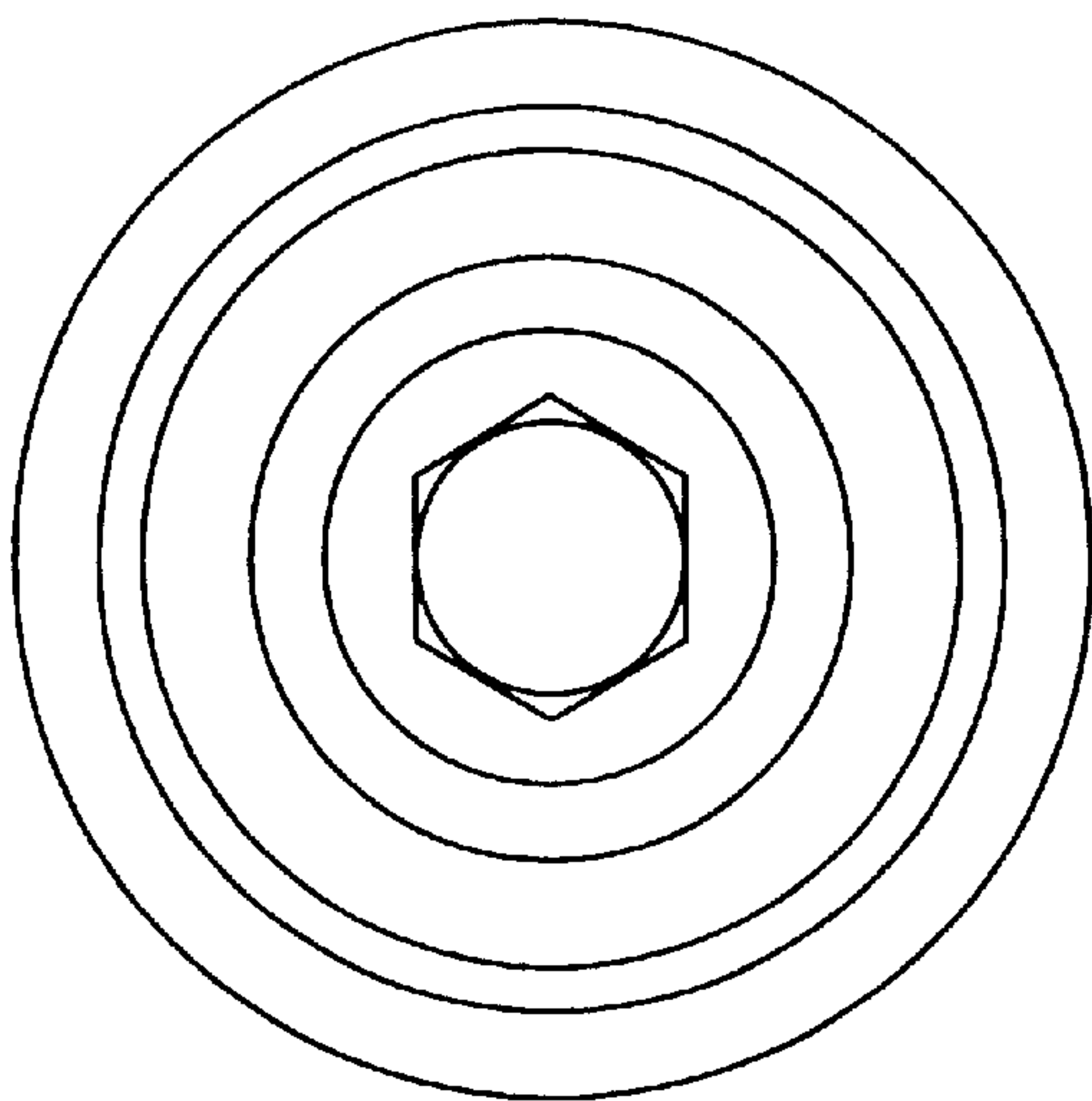
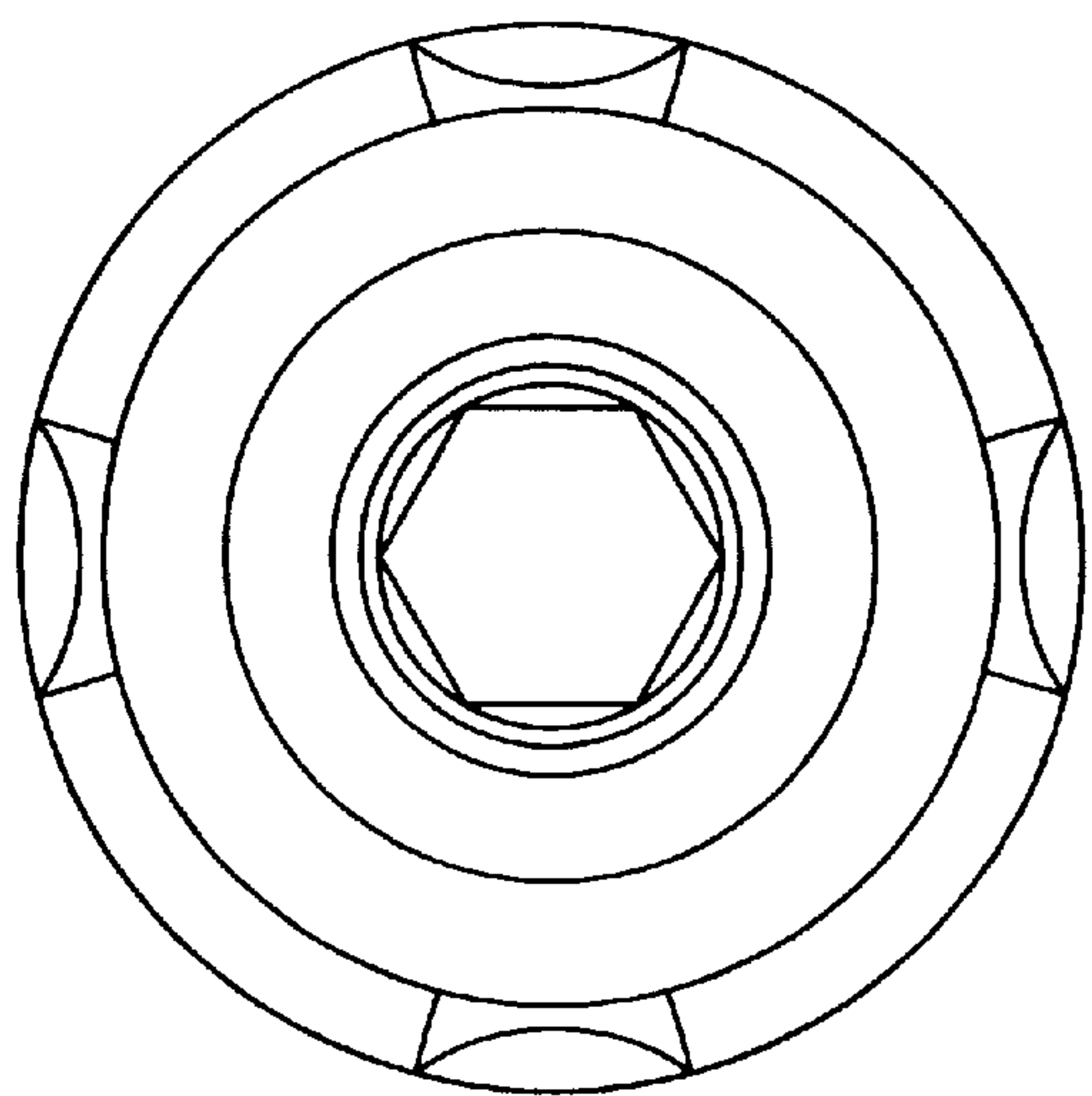


FIG. 5



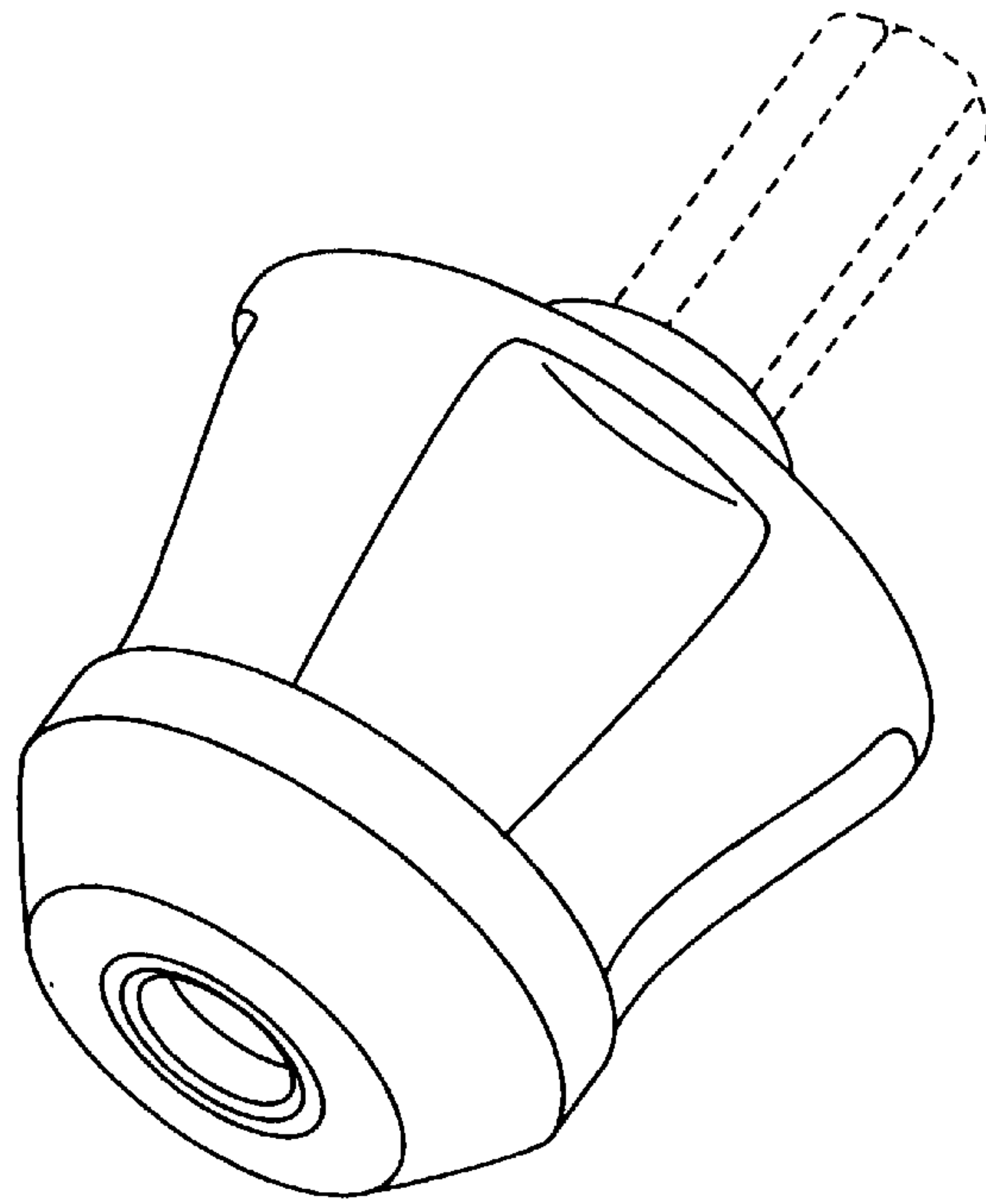


FIG. 6

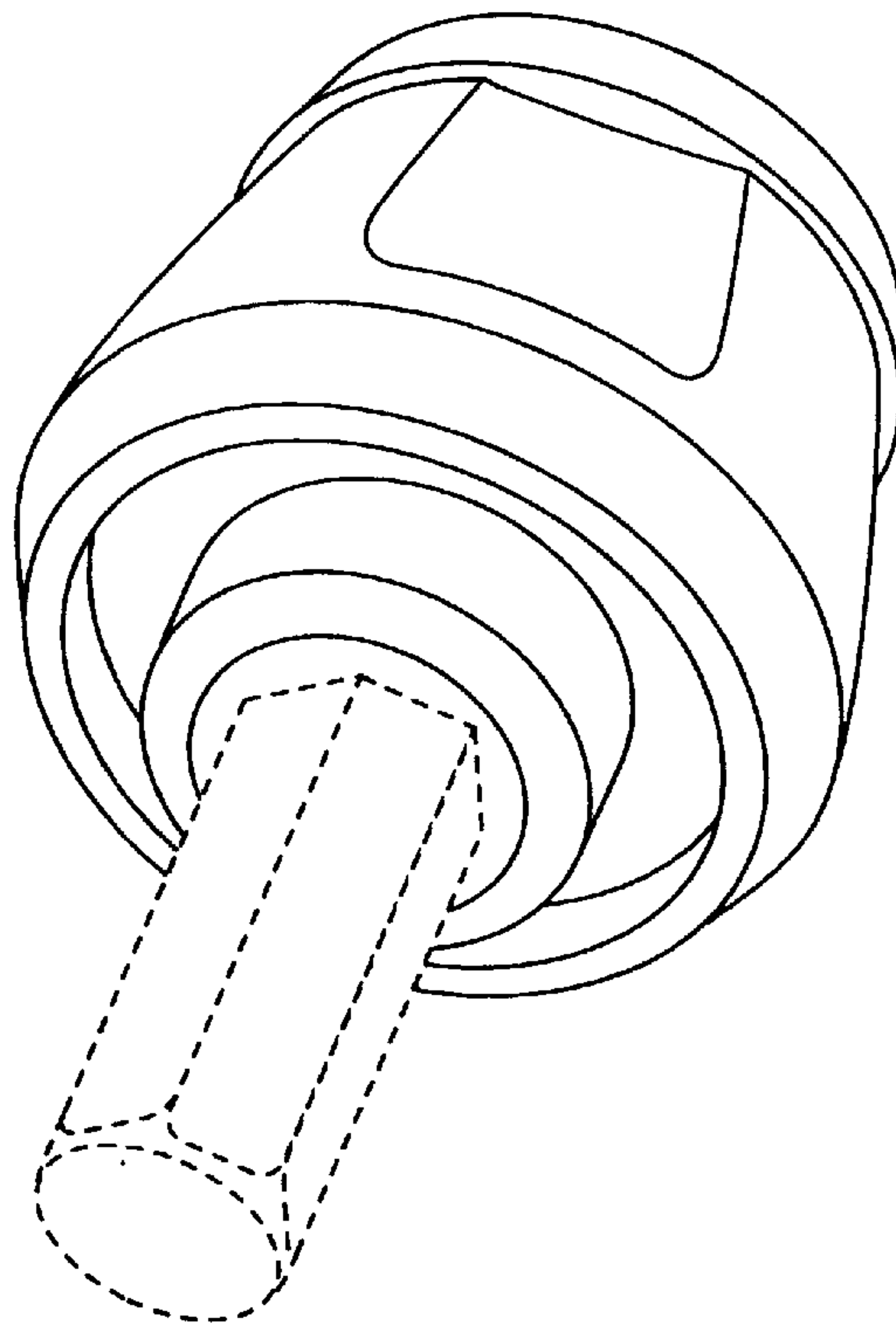


FIG. 7

FIG. 8

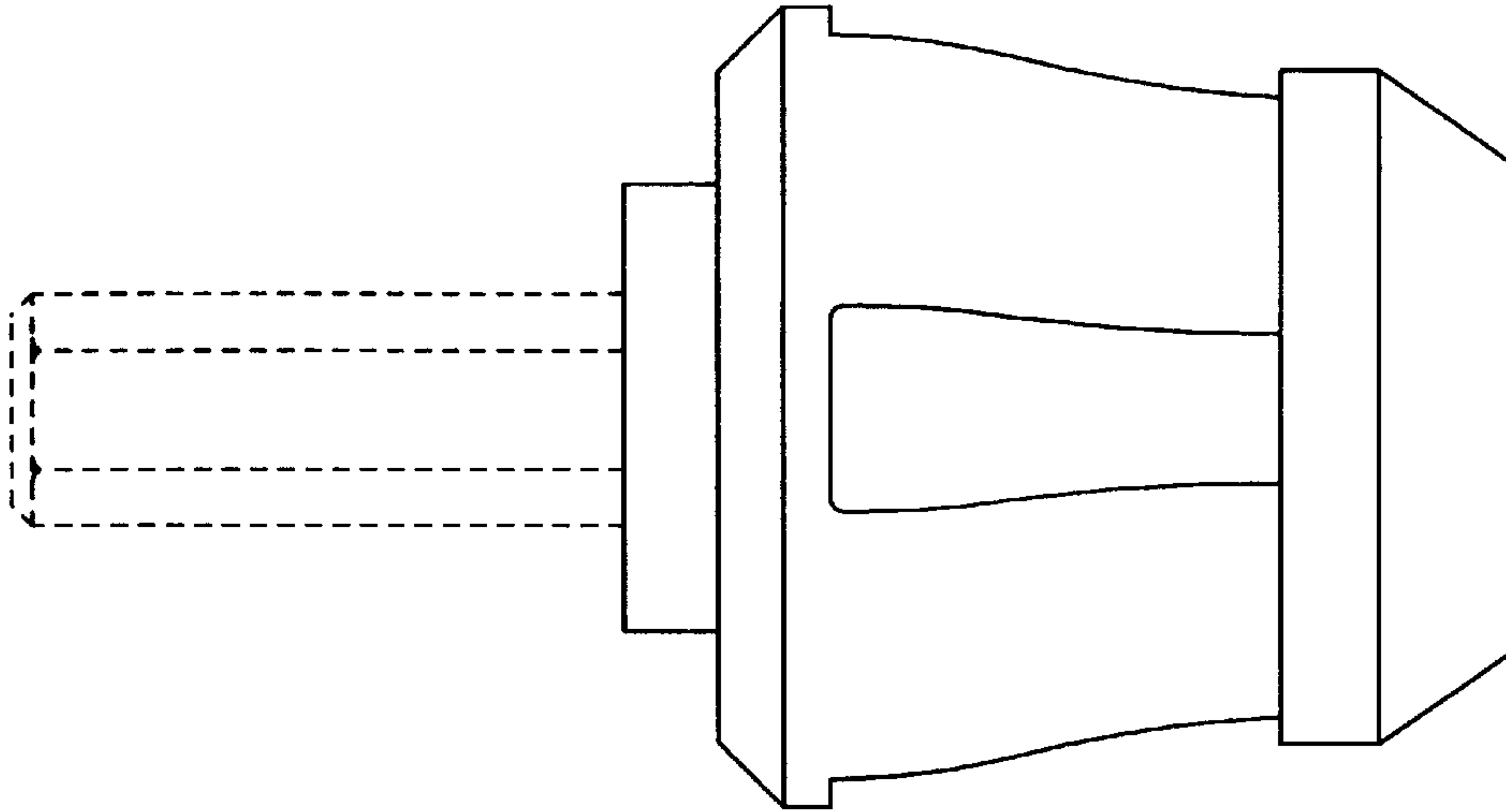


FIG. 9

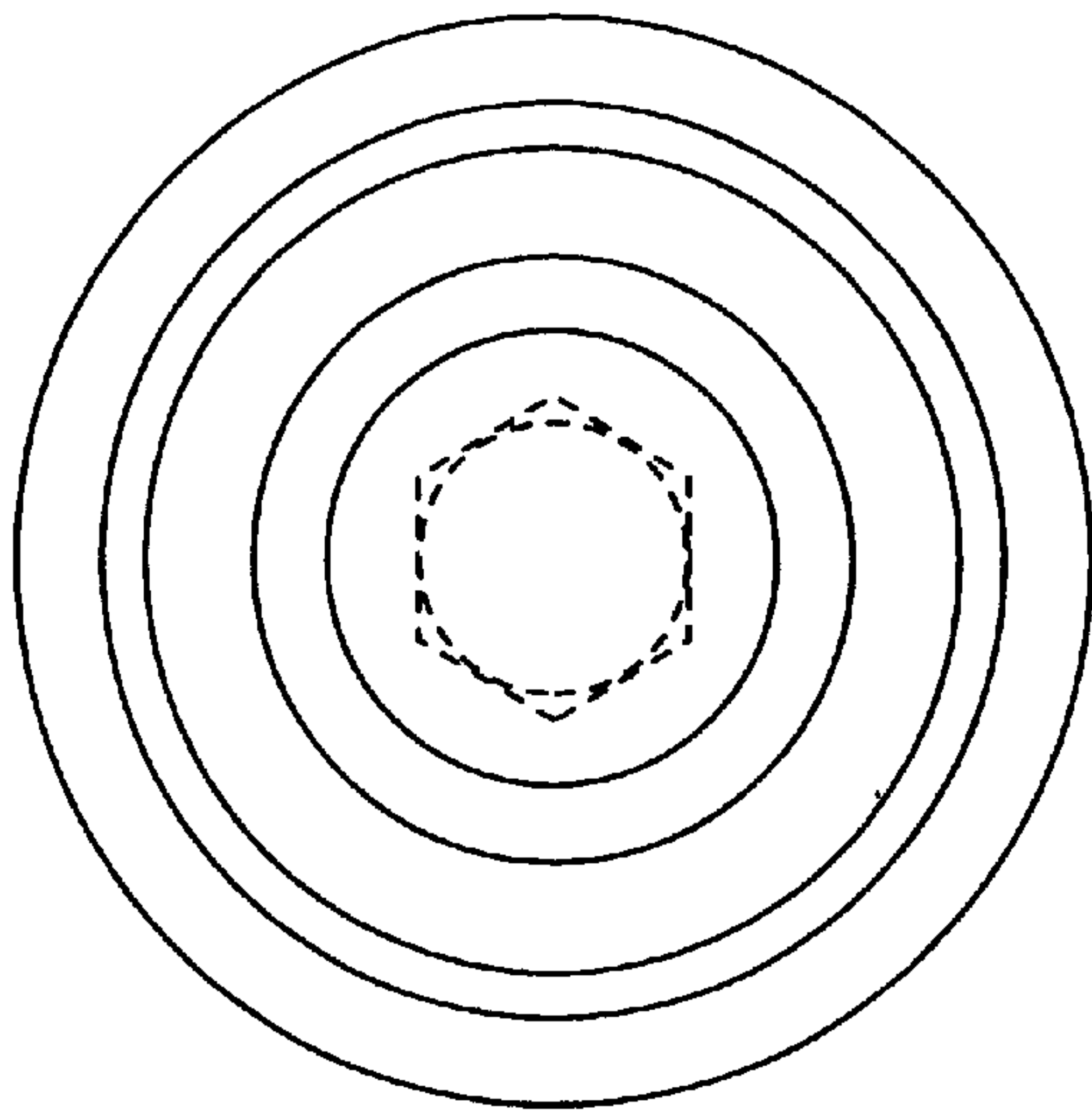


FIG. 10

