



US00D429258S

# United States Patent [19] Zaun

[11] Patent Number: Des. 429,258

[45] Date of Patent: \*\* Aug. 8, 2000

[54] TILLAGE SWEEP

5,499,686 3/1996 Parker ..... 172/730

[75] Inventor: Richard David Zaun, West Des Moines, Iowa

Primary Examiner—Sandra L. Morris

[73] Assignee: Deere & Company, Moline, Ill.

[57] CLAIM

[\*\*] Term: 14 Years

The ornamental design for a tillage sweep, as shown and described.

[21] Appl. No.: 29/107,206

### DESCRIPTION

[22] Filed: Jun. 28, 1999

FIG. 1 is a perspective view of the bottom of a tillage sweep showing my new design, the broken line showing of the apertures being for illustrative purposes only.

[51] LOC (7) Cl. .... 15-03

[52] U.S. Cl. .... D15/29

[58] Field of Search ..... D15/10, 11, 28, D15/29, 32; 37/452; 172/699, 713, 730, 770, 771

FIG. 2 is a bottom plan view of the tillage sweep design of FIG. 1.

FIG. 3 is a front perspective view of the tillage sweep design of FIG. 1.

FIG. 4 is a right side view of the tillage sweep design of FIG. 1, the broken line showing of the apertures being for illustrative purposes only.

### [56] References Cited

#### U.S. PATENT DOCUMENTS

D. 190,335	5/1961	Livermore	.....	D15/29
D. 360,420	7/1995	Woodward et al.	.....	D15/29
D. 376,373	12/1996	Peterson et al.	.....	D15/29
D. 415,173	10/1999	Zaun	.....	D15/29
D. 415,773	10/1999	Chapman	.....	D15/11
3,225,467	12/1965	Troeppel	.....	37/452
4,787,462	11/1988	Nichols	.....	172/730

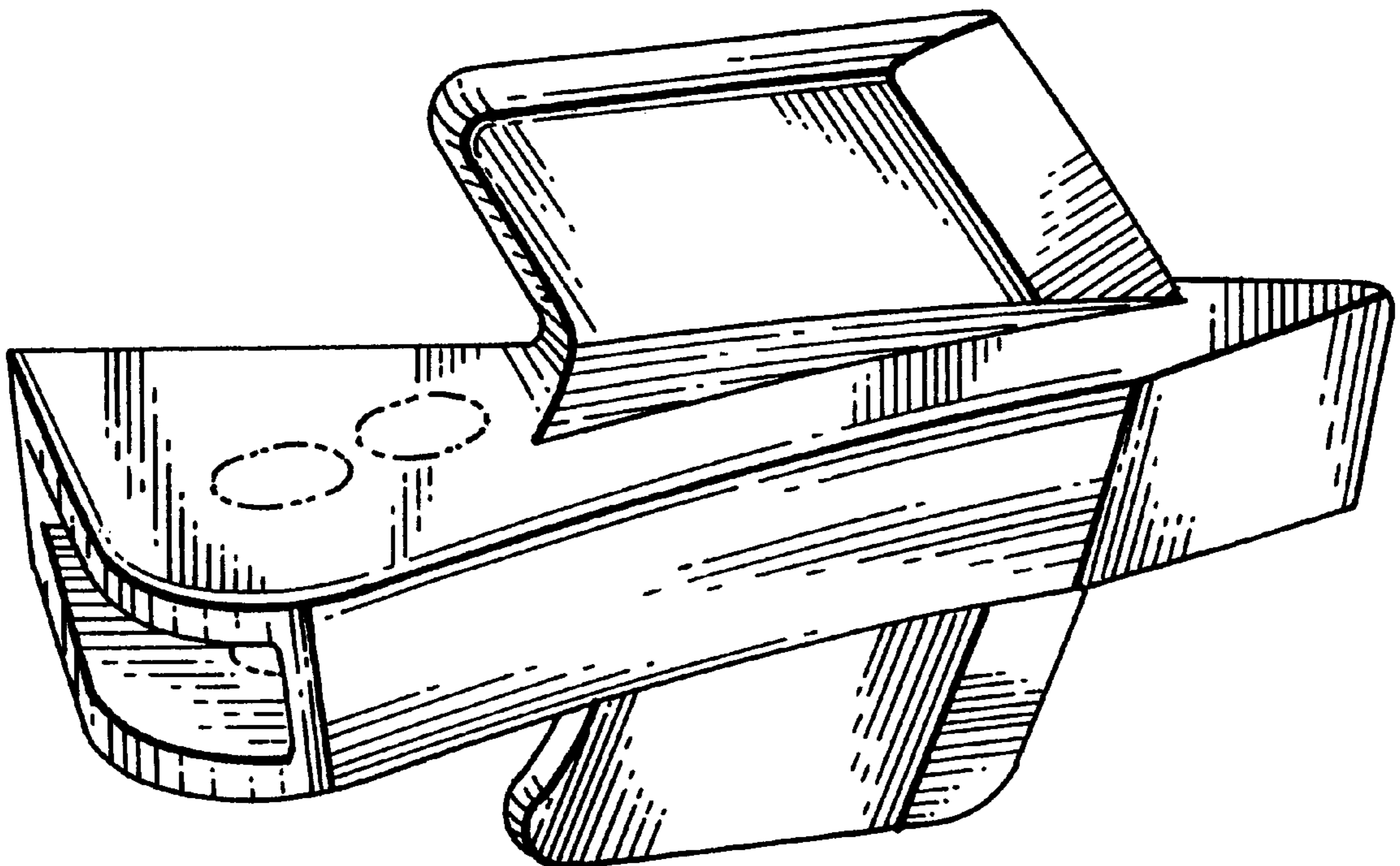
FIG. 5 is a rear view of the tillage sweep design of FIG. 1.

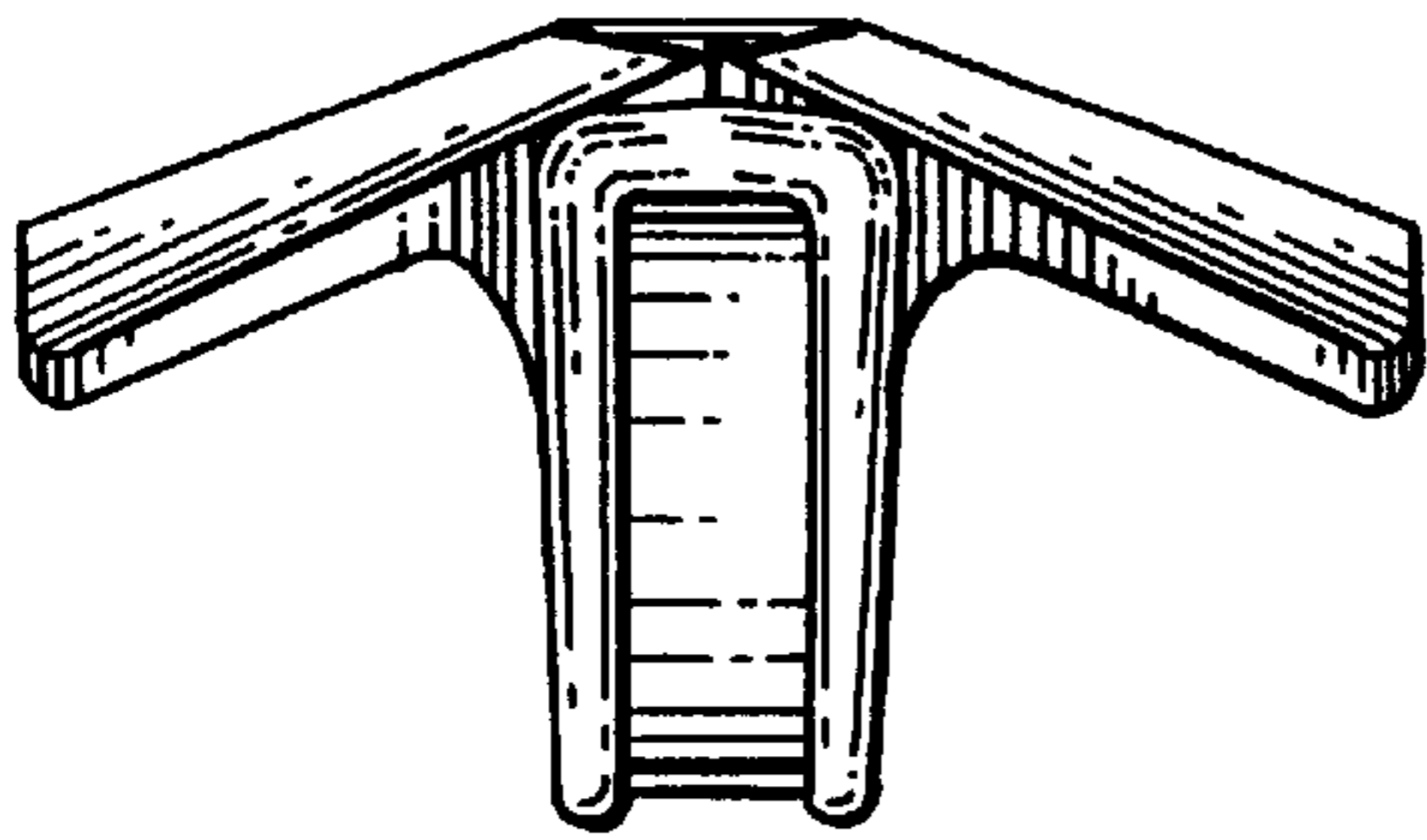
FIG. 6 is a top plan view of the tillage sweep design of FIG. 1; and,

FIG. 7 is a left side view of the tillage sweep design of FIG. 1, the broken line showing of the apertures being for illustrative purposes only.

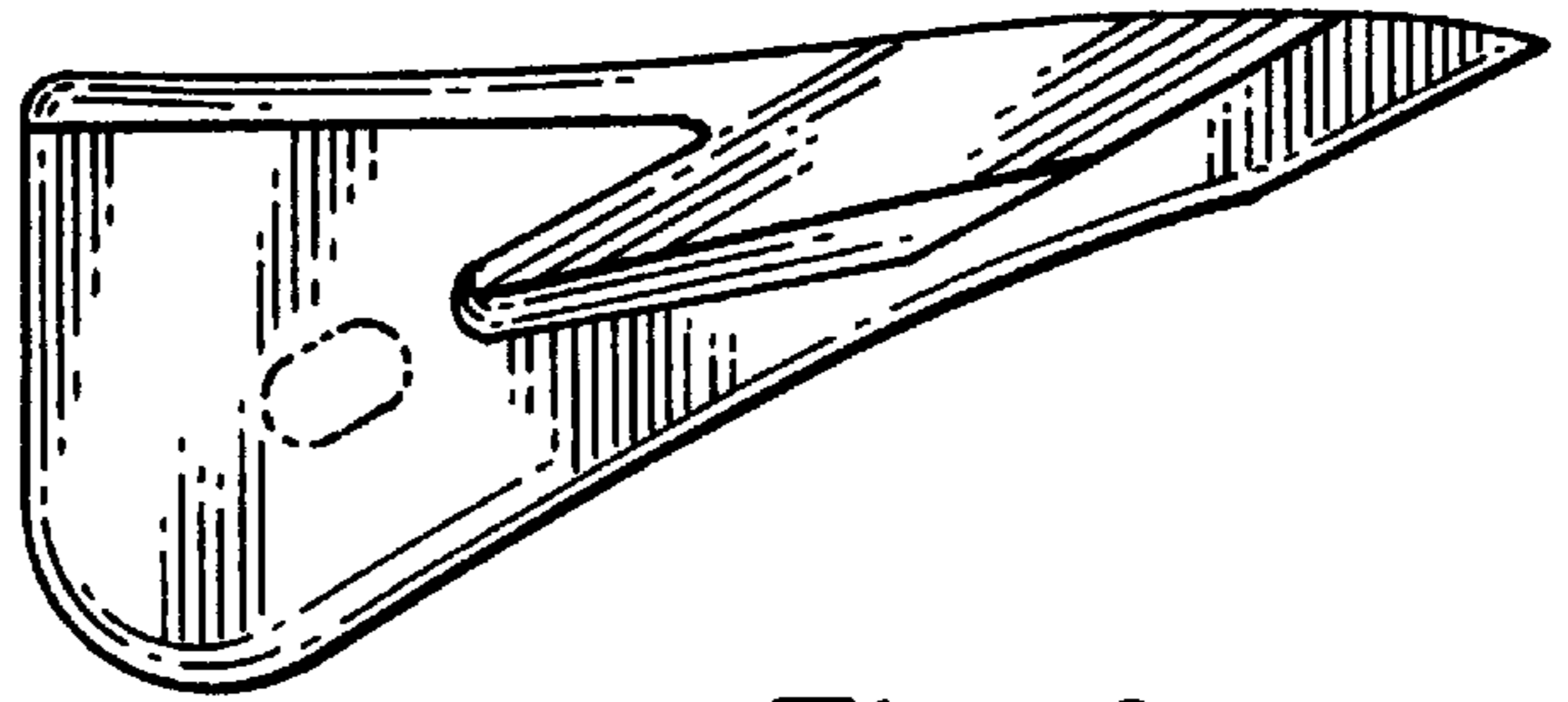
FIGS. 2-7 are shown on a reduced scale.

1 Claim, 2 Drawing Sheets

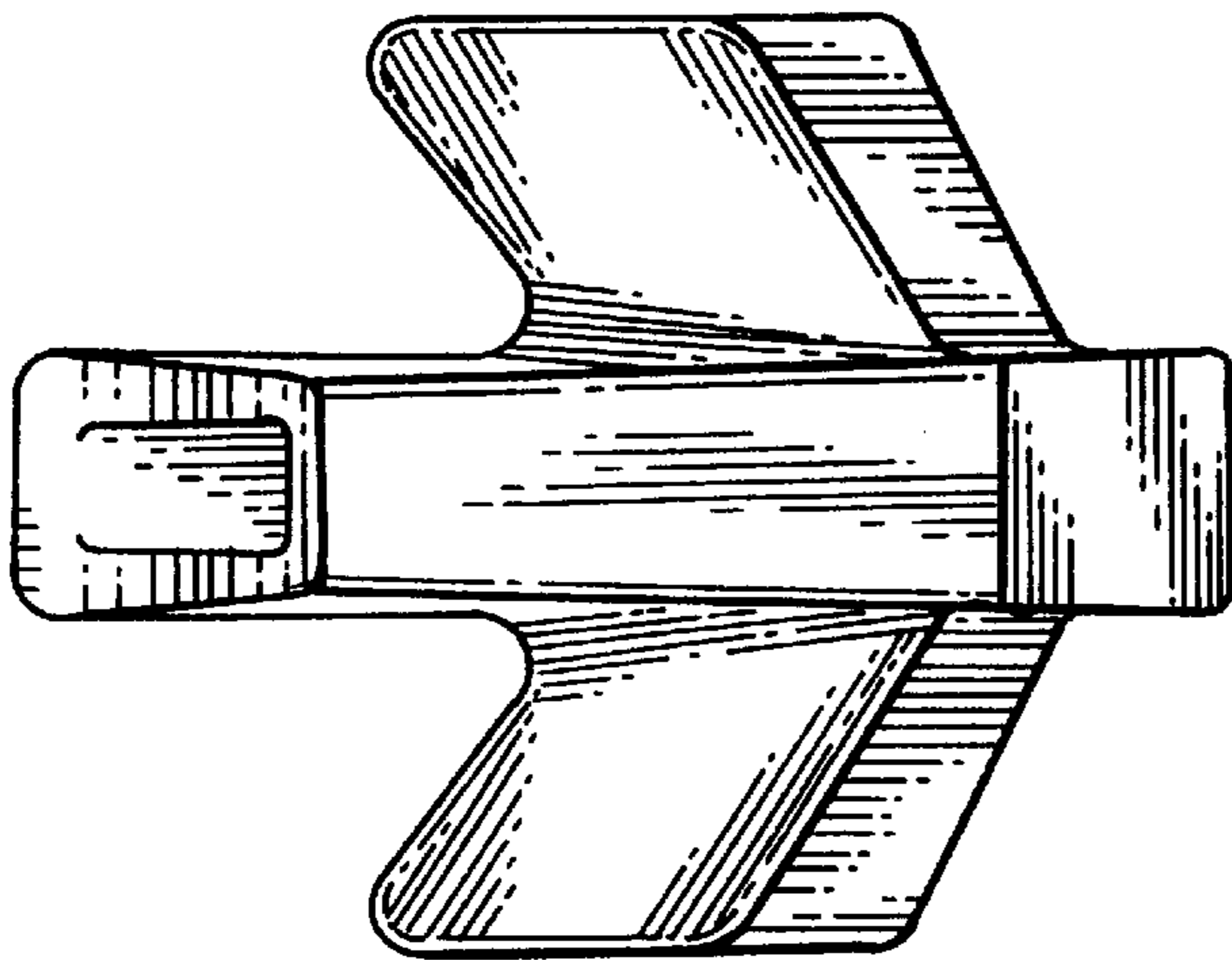




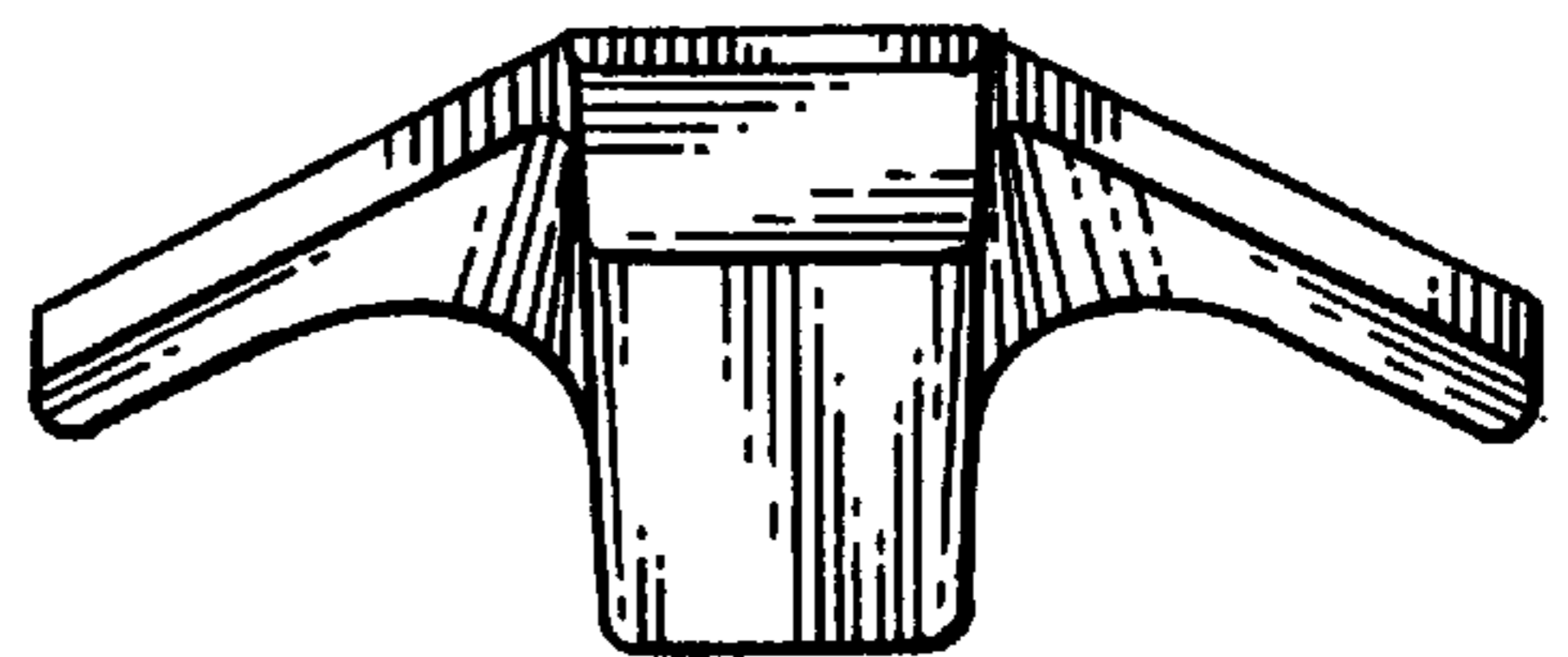
*Fig. 5*



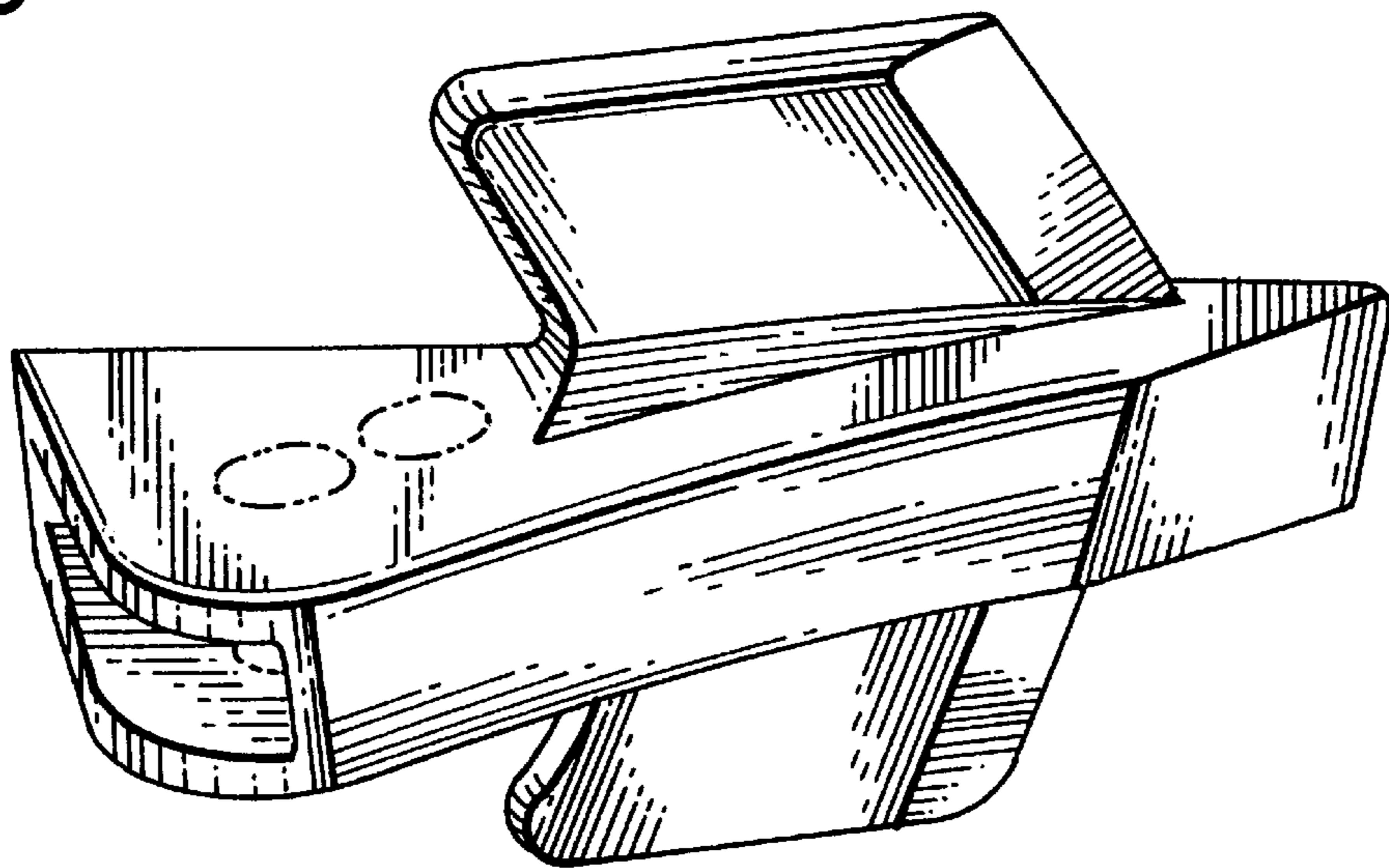
*Fig. 4*



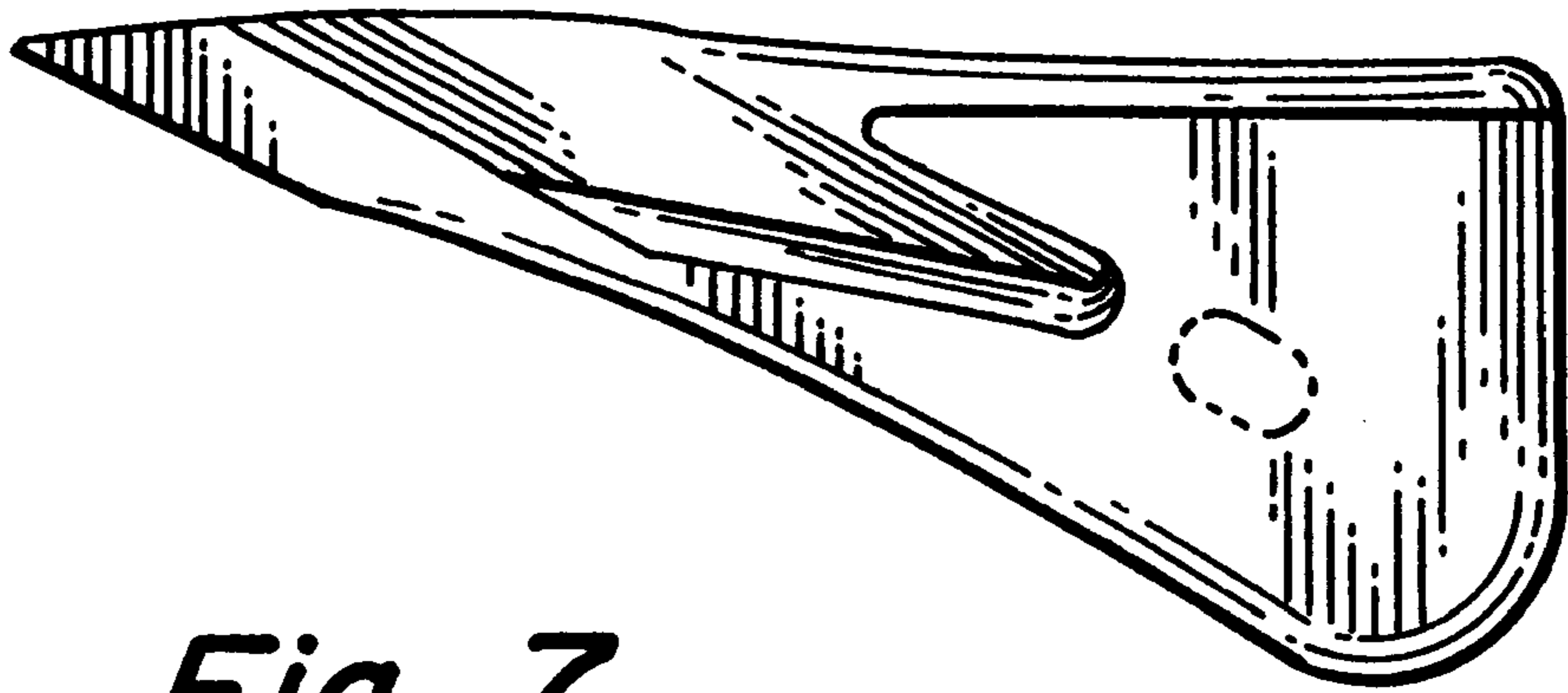
*Fig. 2*



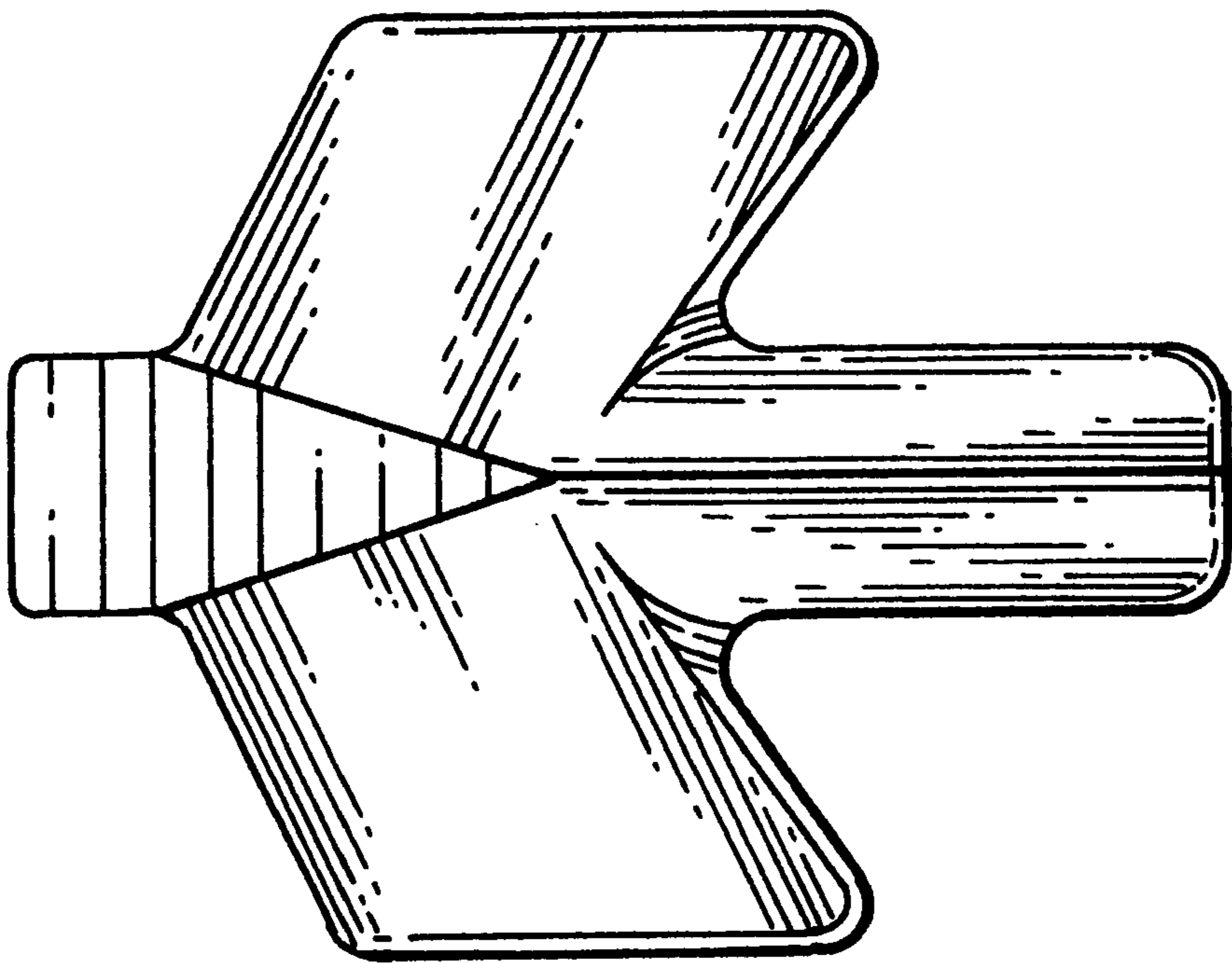
*Fig. 3*



*Fig. 1*



*Fig. 7*



*Fig. 6*