



US00D429256S

United States Patent [19] Zaun

[11] Patent Number: Des. 429,256

[45] Date of Patent: ** Aug. 8, 2000

[54] TILLAGE SWEEP

5,499,686 3/1996 Parker 172/730

[75] Inventor: Richard David Zaun, West Des Moines, Iowa

Primary Examiner—Sandra L. Morris

[73] Assignee: Deere & Company, Moline, Ill.

[57] CLAIM

[**] Term: 14 Years

The ornamental design for a tillage sweep, as shown and described.

[21] Appl. No.: 29/106,485

[22] Filed: Jun. 14, 1999

[51] LOC (7) Cl. 15-03

[52] U.S. Cl. D15/29

[58] Field of Search D15/10, 11, 28,
D15/29, 32; 37/452; 172/699, 713, 730,
770, 771

DESCRIPTION

FIG. 1 is a perspective view of the bottom of a tillage sweep showing my new design, the broken line showing of the apertures being for illustrative purposes only.

FIG. 2 is a bottom plan view of the tillage sweep design of FIG. 1.

FIG. 3 is a front perspective view of the tillage sweep design of FIG. 1.

FIG. 4 is a right side view of the tillage sweep design of FIG. 1, the broken line showing of the apertures being for illustrative purposes only.

FIG. 5 is a rear view of the tillage sweep design of FIG. 1.

FIG. 6 is a top plan view of the tillage sweep design of FIG. 1; and,

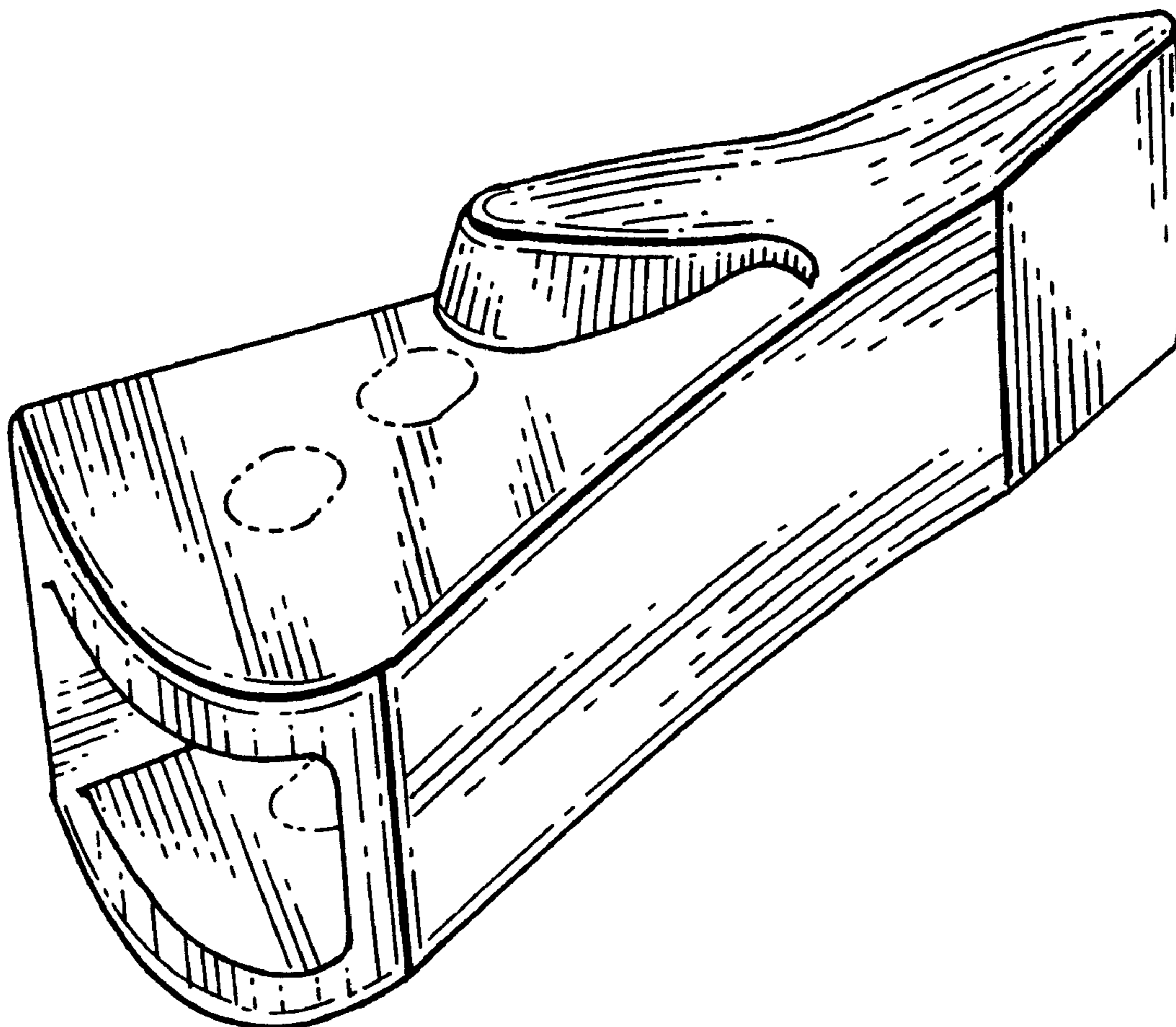
FIG. 7 is a left side view of the tillage sweep design of FIG. 1, the broken line showing of the apertures being for illustrative purposes only.

[56] References Cited

U.S. PATENT DOCUMENTS

D. 190,335	5/1961	Livermore	D15/29
D. 360,420	7/1995	Woodward et al.	D15/29
D. 376,373	12/1996	Peterson et al.	D15/29
D. 415,173	10/1999	Zaun	D15/29
D. 415,773	10/1999	Chapman	D15/11
3,225,467	12/1965	Troeppel	37/452
4,787,462	11/1988	Nichols	172/730

1 Claim, 2 Drawing Sheets



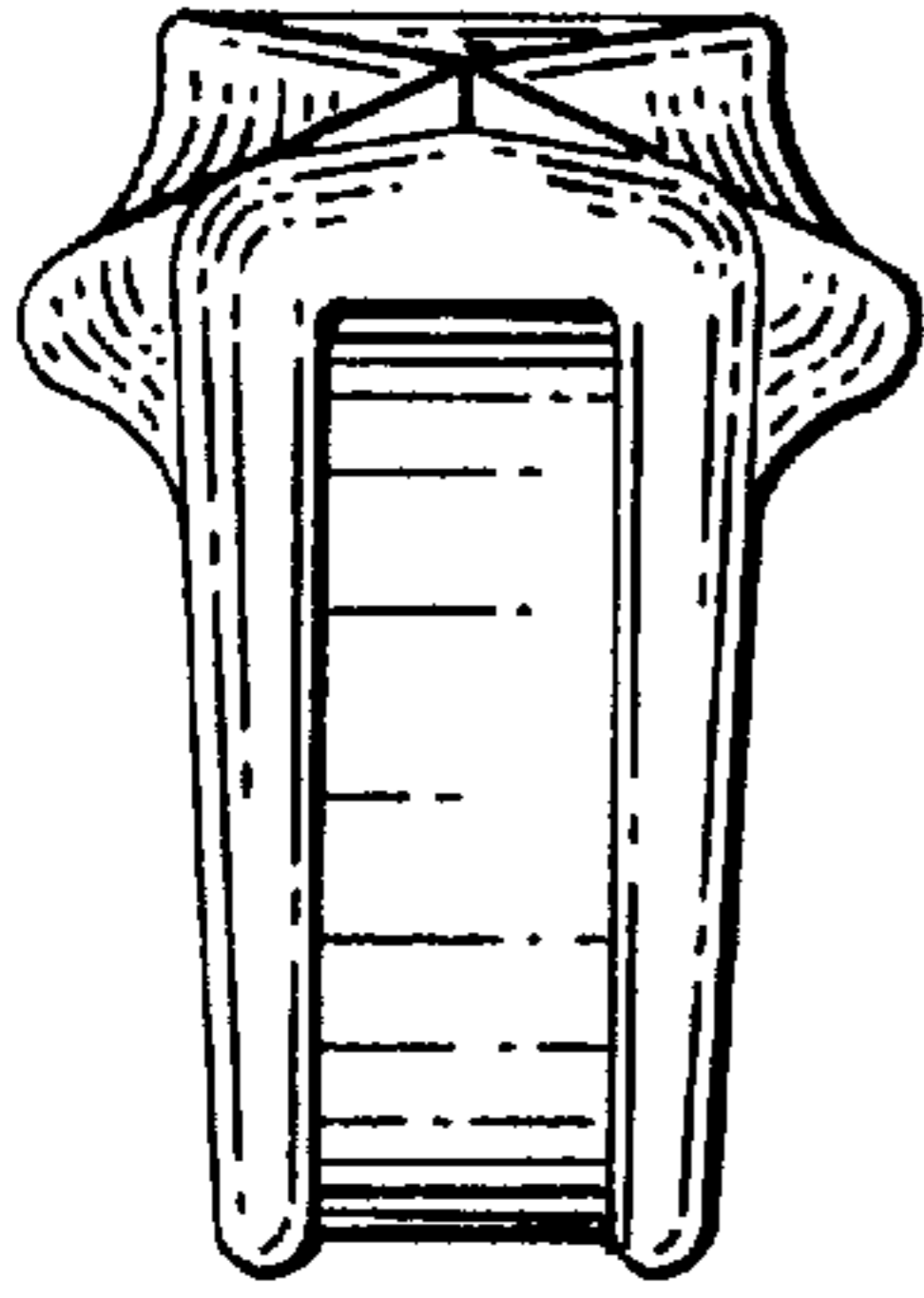


Fig. 5

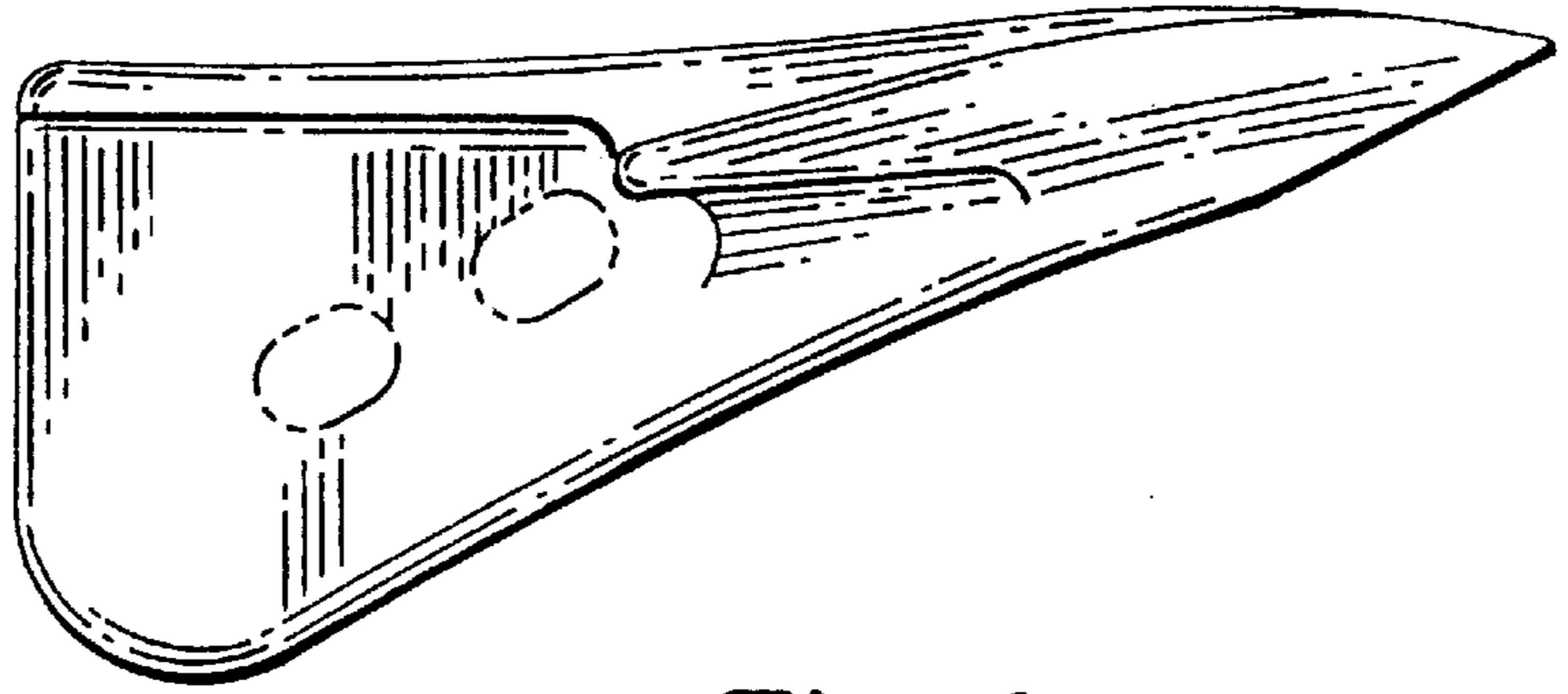


Fig. 4

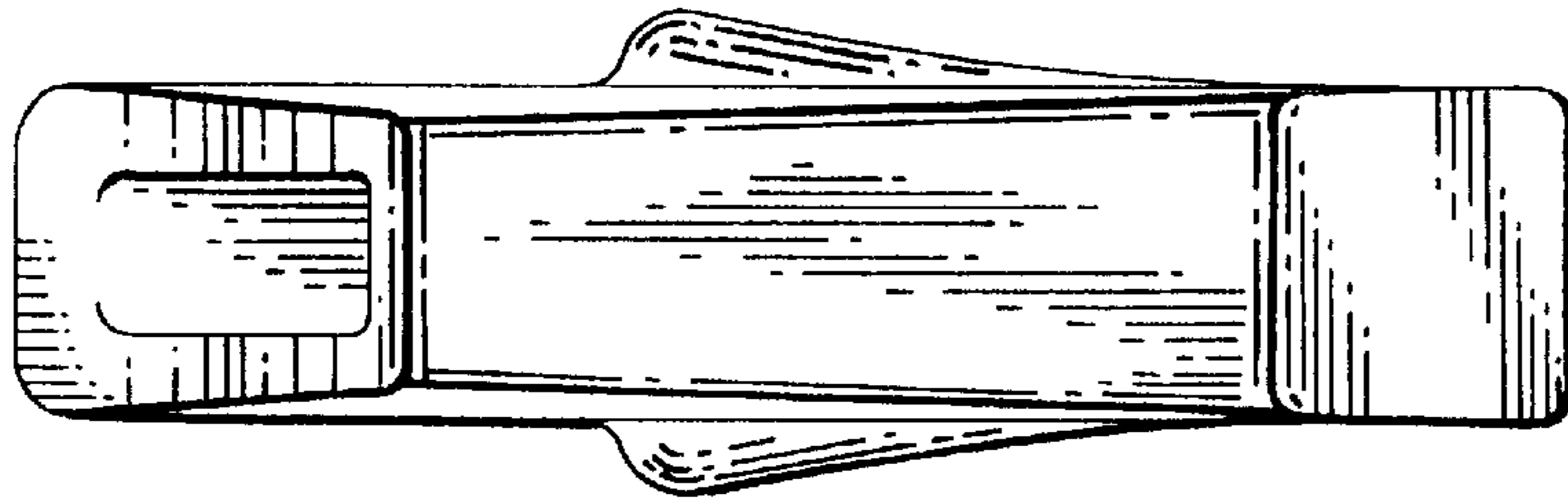


Fig. 2



Fig. 3

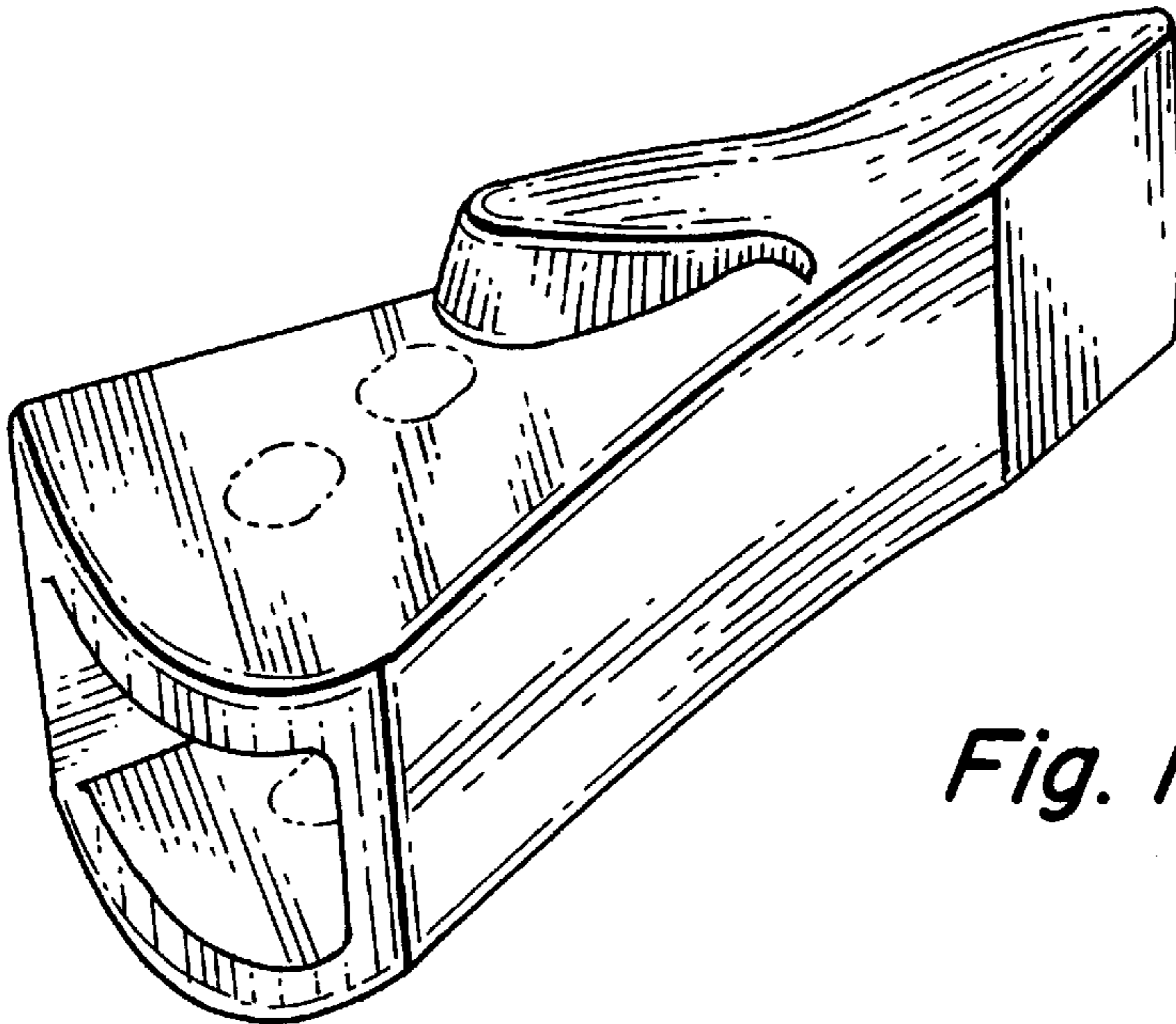


Fig. 1

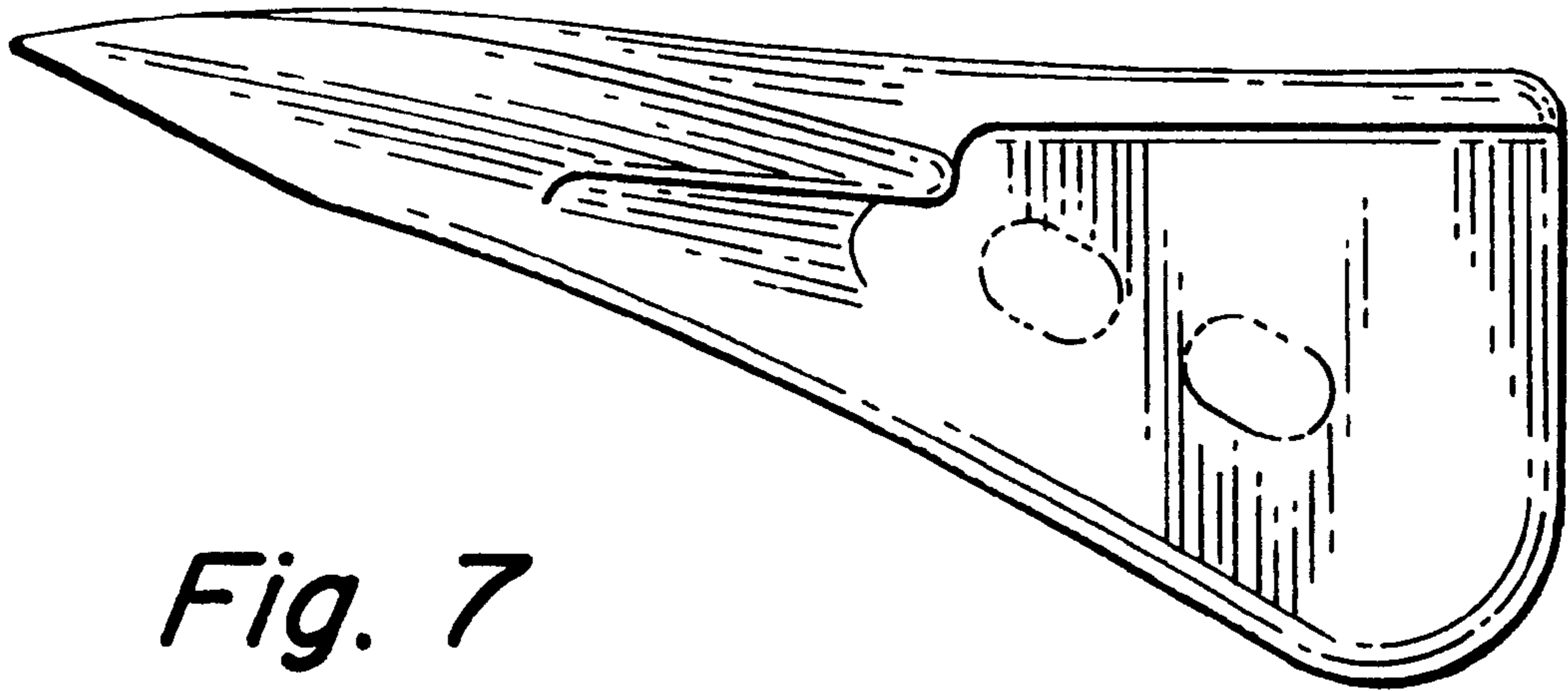


Fig. 7

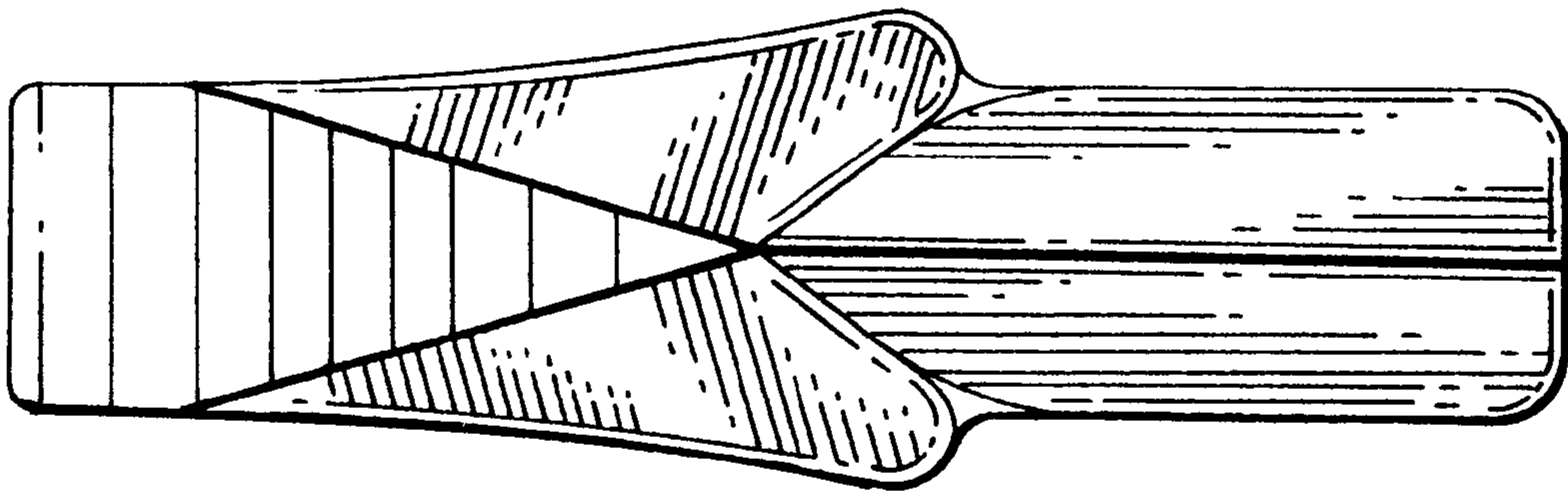


Fig. 6