



US00D429253S

United States Patent [19]

Robertson et al.

[11] Patent Number: Des. 429,253

[45] Date of Patent: ** Aug. 8, 2000

[54] HEADSET FOR HEADMOUNTED DISPLAY

[75] Inventors: James B. Robertson, Aptos, Calif.; Karl Armagost; Kevin Schehrer, both of Boulder, Colo.; Carl L. Engelbrecht, Los Gatos, Calif.; Andrew W. Hooper, Santa Cruz, Calif.; David P. Moriconi, Ben Lomond, Calif.; Douglas H. Jones, Scotts Valley, Calif.; Niall D. Macken; Temujin W. Kuechle, both of Santa Cruz, Calif.

[73] Assignee: Colorado MicroDisplay, Inc., Boulder, Colo.

[**] Term: 14 Years

[21] Appl. No.: 29/102,147

[22] Filed: Mar. 17, 1999

[51] LOC (7) Cl. 02-03

[52] U.S. Cl. D14/496; D14/372

[58] Field of Search D14/124, 125, D14/114, 496, 372; D16/309, 326, 202; D21/324; D26/38, 39; 273/148 B; 463/1, 29-35, 46, 47; 345/7, 8, 9, 905; 348/53, 115, 121, 838; 359/407, 431, 445, 780, 630; 351/258

[56] References Cited

U.S. PATENT DOCUMENTS

D. 369,160	4/1996	Gotoh et al.	D14/124
D. 370,909	6/1996	Oikawa et al.	D14/124
D. 374,002	9/1996	Bassett et al.	D14/124
D. 375,495	11/1996	Maclness et al.	D14/124
D. 375,731	11/1996	Holmes et al.	D14/124
D. 383,455	9/1997	Maclness et al.	D14/124
D. 390,552	2/1998	Ronzani	D14/124
D. 392,629	3/1998	Amafuji et al.	D14/124 X
D. 402,651	12/1998	Depay et al.	D14/124
4,737,972	4/1988	Schoolman	345/8 X
4,869,575	9/1989	Kubik	345/8

5,137,450	8/1992	Thomas	434/44
5,320,534	6/1994	Thomas	434/44
5,579,026	11/1996	Tabata	345/8
5,673,059	9/1997	Zavracky et al.	345/8
5,739,797	4/1998	Karasawa et al.	345/8
5,757,339	5/1998	Williams et al.	345/8
5,781,165	7/1998	Tabata	345/8
5,815,126	9/1998	Fan et al.	345/8

OTHER PUBLICATIONS

European Search Report, EPO Application No. EP 98306123, Feb. 17, 1999.

Published European Patent Application No. EP 0344881A2, Dec. 6, 1989.

Published European Patent Application No. EP 0899599A2, Mar. 3, 1999.

"Head-up Display", "Es Liegt Was In Der Luft", Von Rainer Grabowski, 2444 Chip (1990) Juni, No. 6, Wurzburg, DE, 3 pages.

Primary Examiner—Prabhakar Deshmukh
Attorney, Agent, or Firm—Blakely, Sokoloff, Taylor & Zafman

[57] CLAIM

The ornamental design for a headset for headmounted display, as shown and described.

DESCRIPTION

FIG. 1 illustrates a top, front, and left side perspective view of a headset for headmounted display showing our new design;

FIG. 2 illustrates a top, rear, and left side perspective view thereof;

FIG. 3 illustrates a top plan view thereof;

FIG. 4 illustrates a right side elevational view thereof;

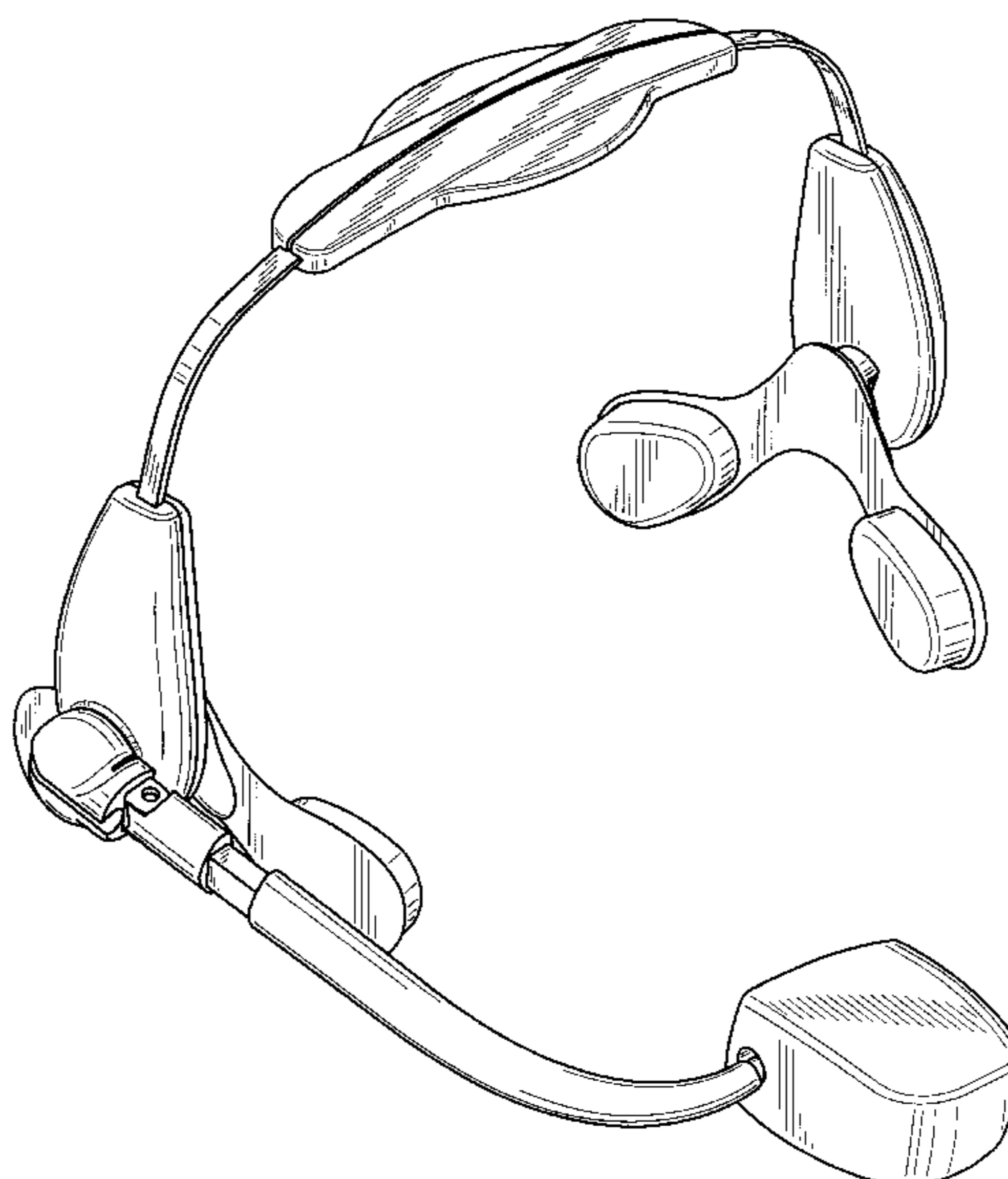
FIG. 5 illustrates a left side elevational view thereof;

FIG. 6 illustrates a bottom plan view thereof;

FIG. 7 illustrates a front elevational view thereof; and,

FIG. 8 illustrates a rear elevational view thereof.

1 Claim, 6 Drawing Sheets



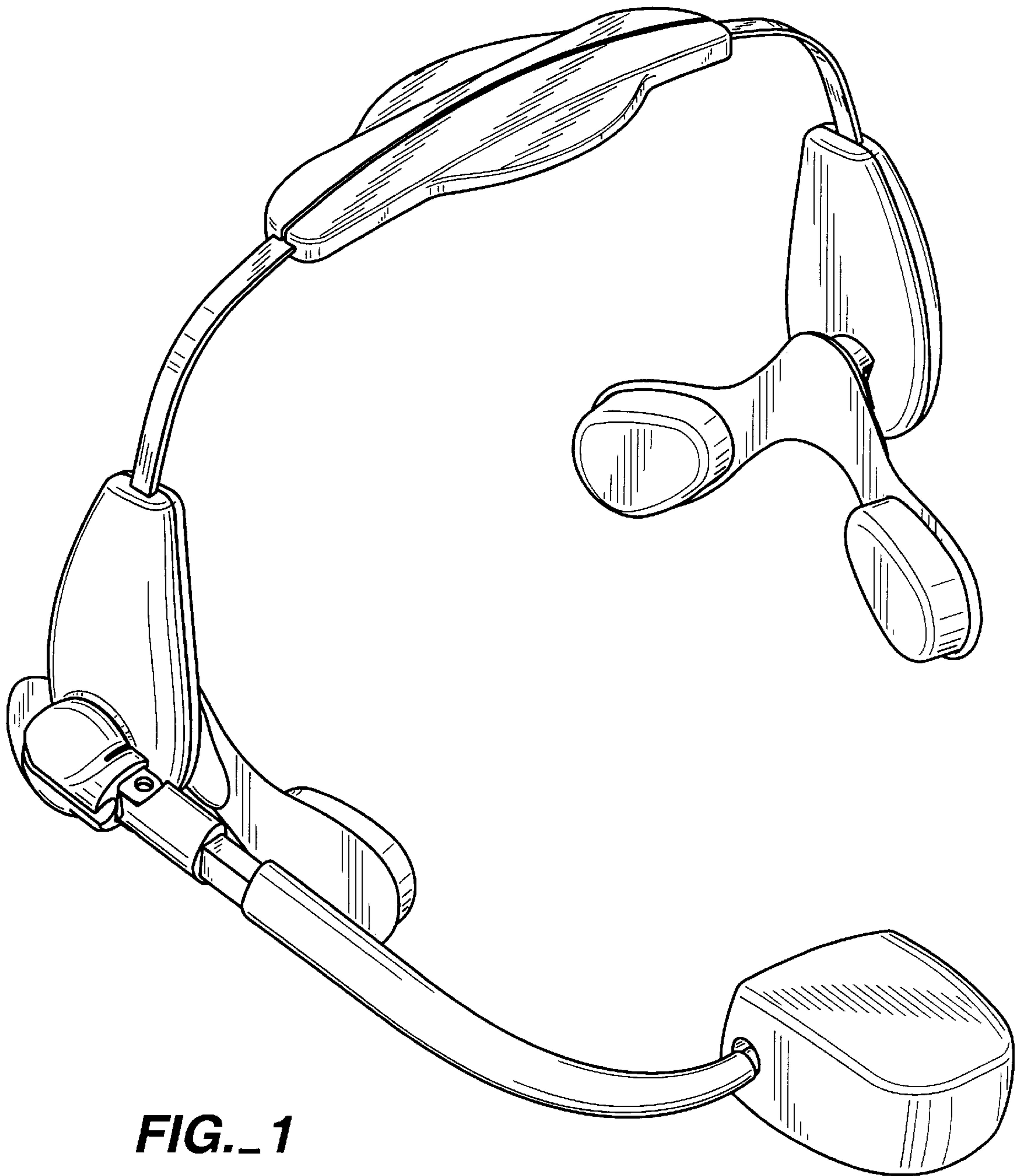
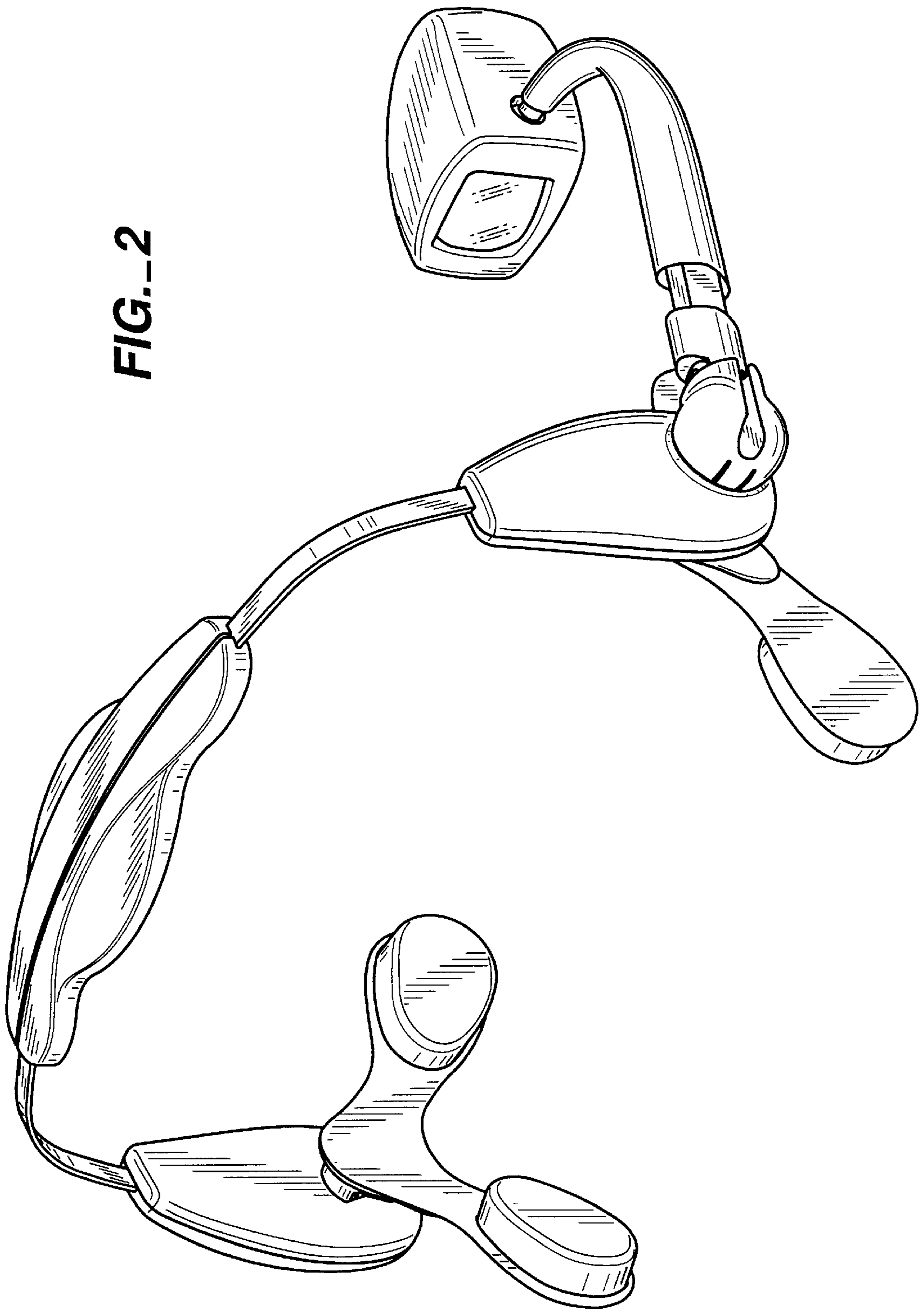


FIG. 1

FIG.-2



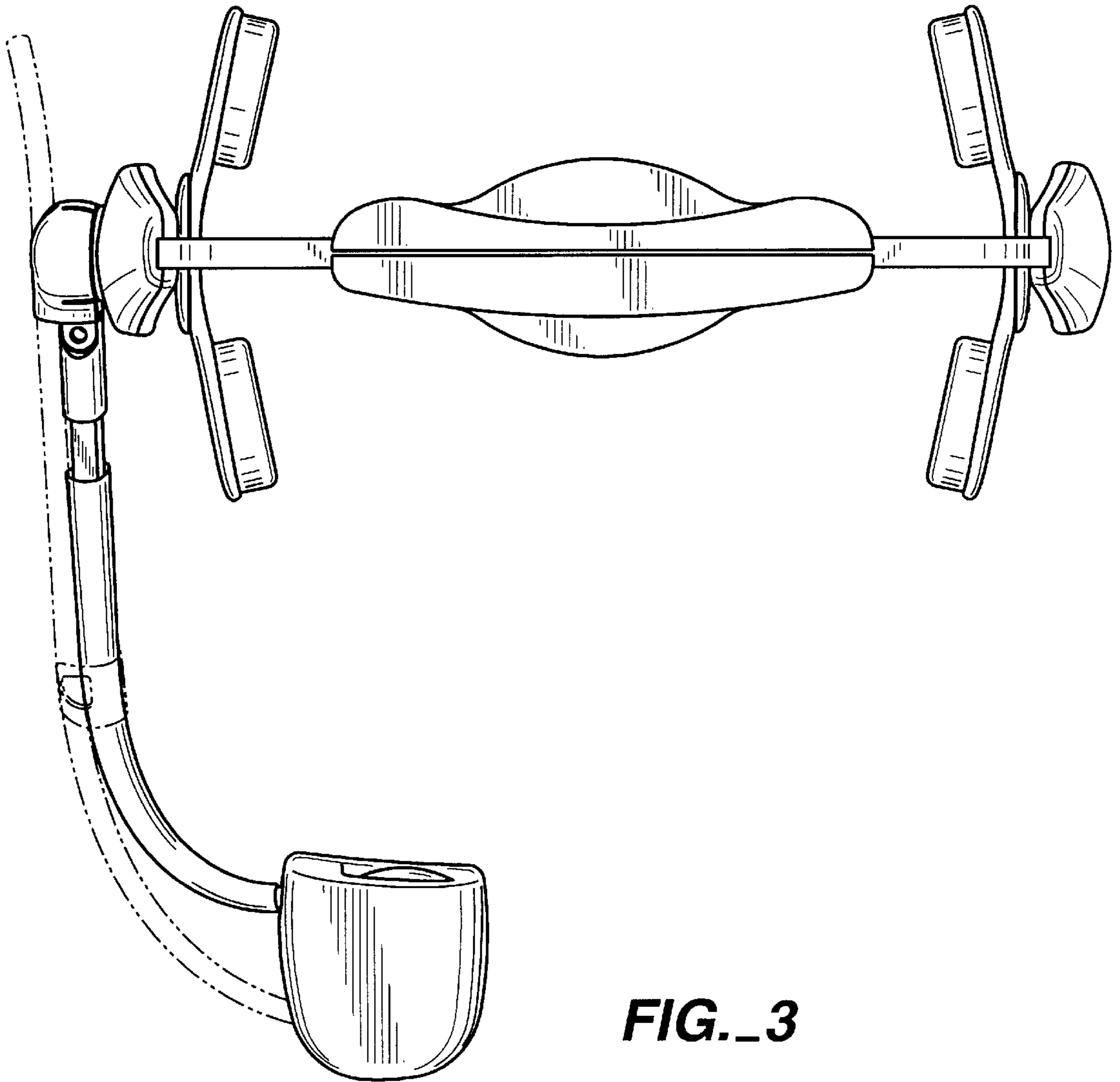


FIG. 3

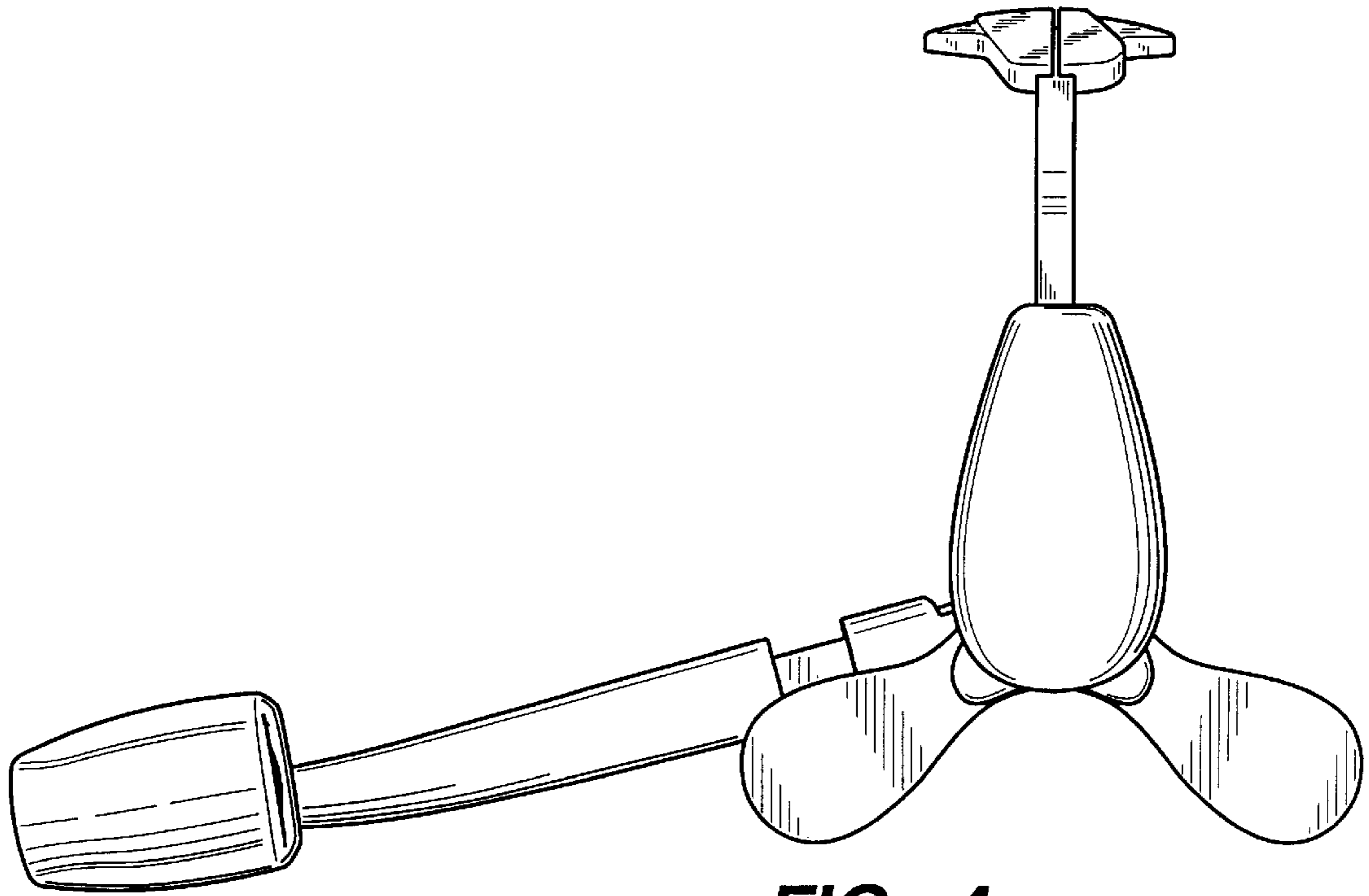


FIG._4

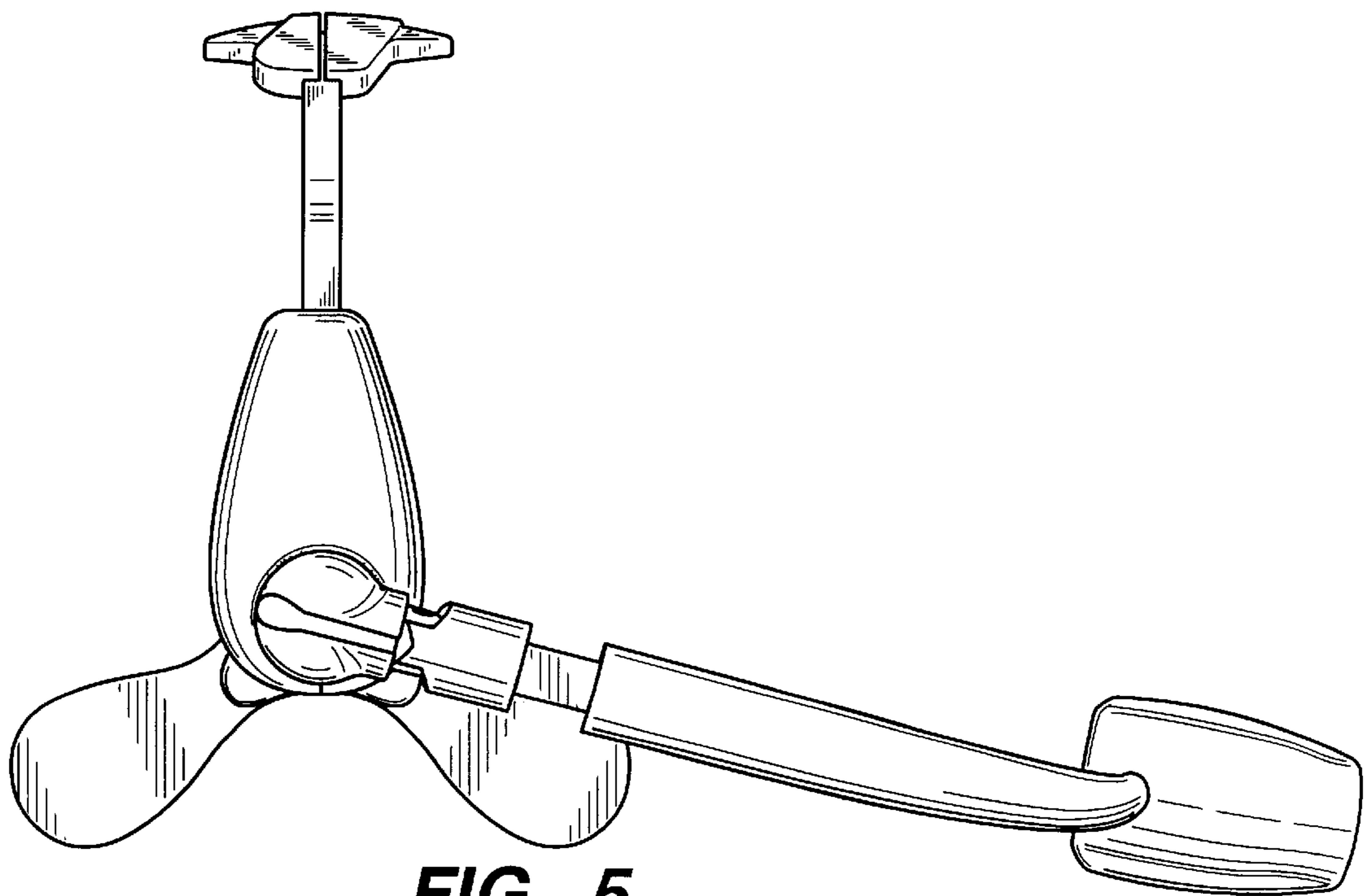


FIG._5

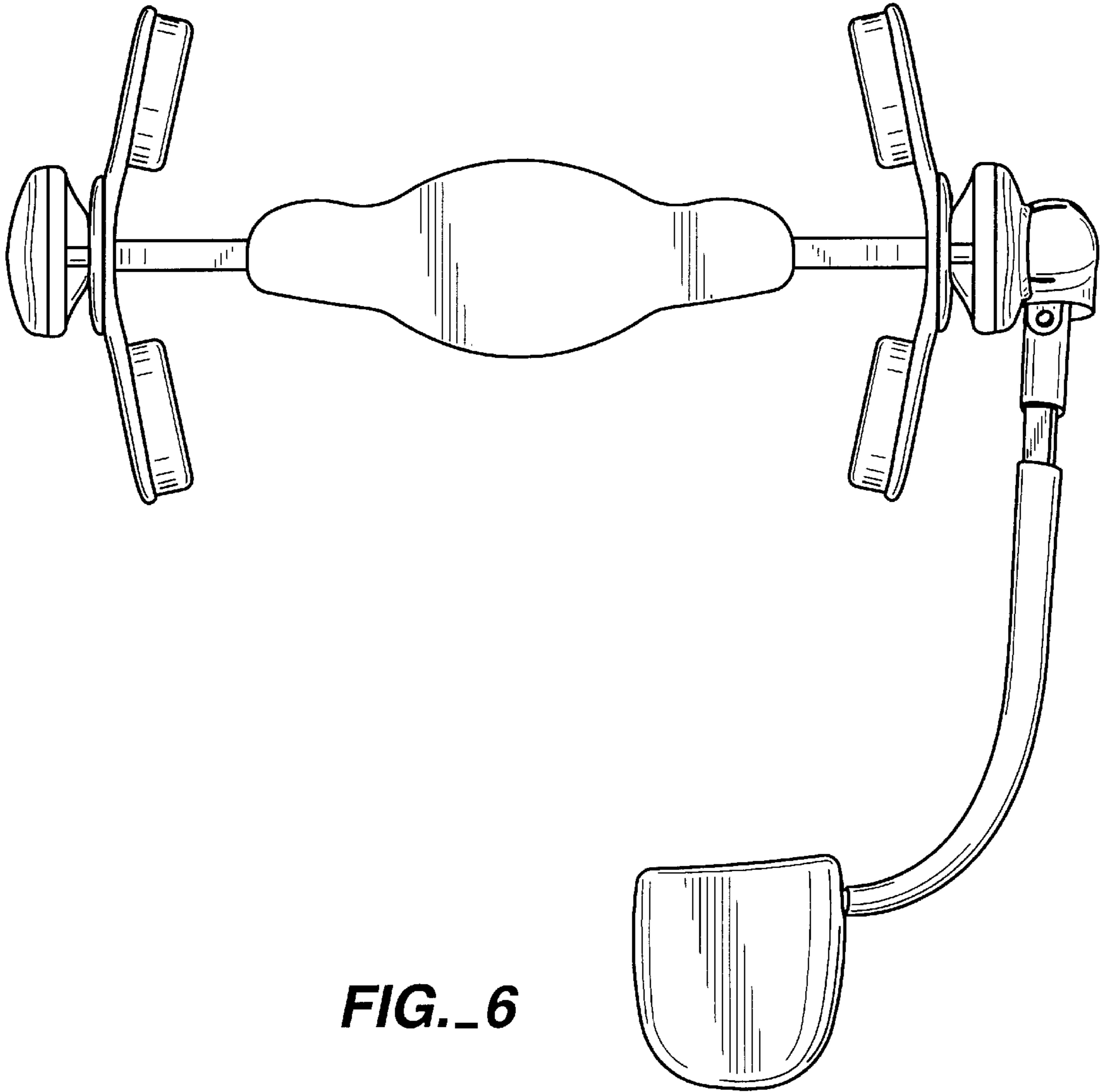


FIG. 6

