



US00D429251S

United States Patent [19]

Sundy et al.

[11] Patent Number: **Des. 429,251**

[45] Date of Patent: **** Aug. 8, 2000**

[54] **TELESCOPING COMPUTER MOUNT**

[76] Inventors: **Mark P. Sundy; David J. Enama**, both of c/o Havis-Shields Equipment Corp. 395 Jacksonville Rd., Warminster, Pa. 18974

[**] Term: **14 Years**

[21] Appl. No.: **29/088,142**

[22] Filed: **May 15, 1998**

[51] **LOC (7) Cl.** **14-02**

[52] **U.S. Cl.** **D14/457**

[58] **Field of Search** D14/451-2; D6/449, D6/491, 445, 396, 512; 248/125.1, 127, 133, 177.1, 178.1, 179.1, 183.1, 346.01, 917-24, 188.1, 188.2; 200/5 A, 5 R, 6 A, 6 R; 361/679-85; D13/184, 199

[56] **References Cited**

U.S. PATENT DOCUMENTS

- D. 275,431 9/1984 Usab .
- D. 323,323 1/1992 Kaebel .

- D. 331,921 12/1992 Gutke et al. .
- D. 391,945 3/1998 Rosen .
- D. 395,874 7/1998 Rosen .
- D. 406,228 3/1999 Vogels .

Primary Examiner—M. H. Tung
Attorney, Agent, or Firm—Zachary T. Wobensmith, III

[57] **CLAIM**

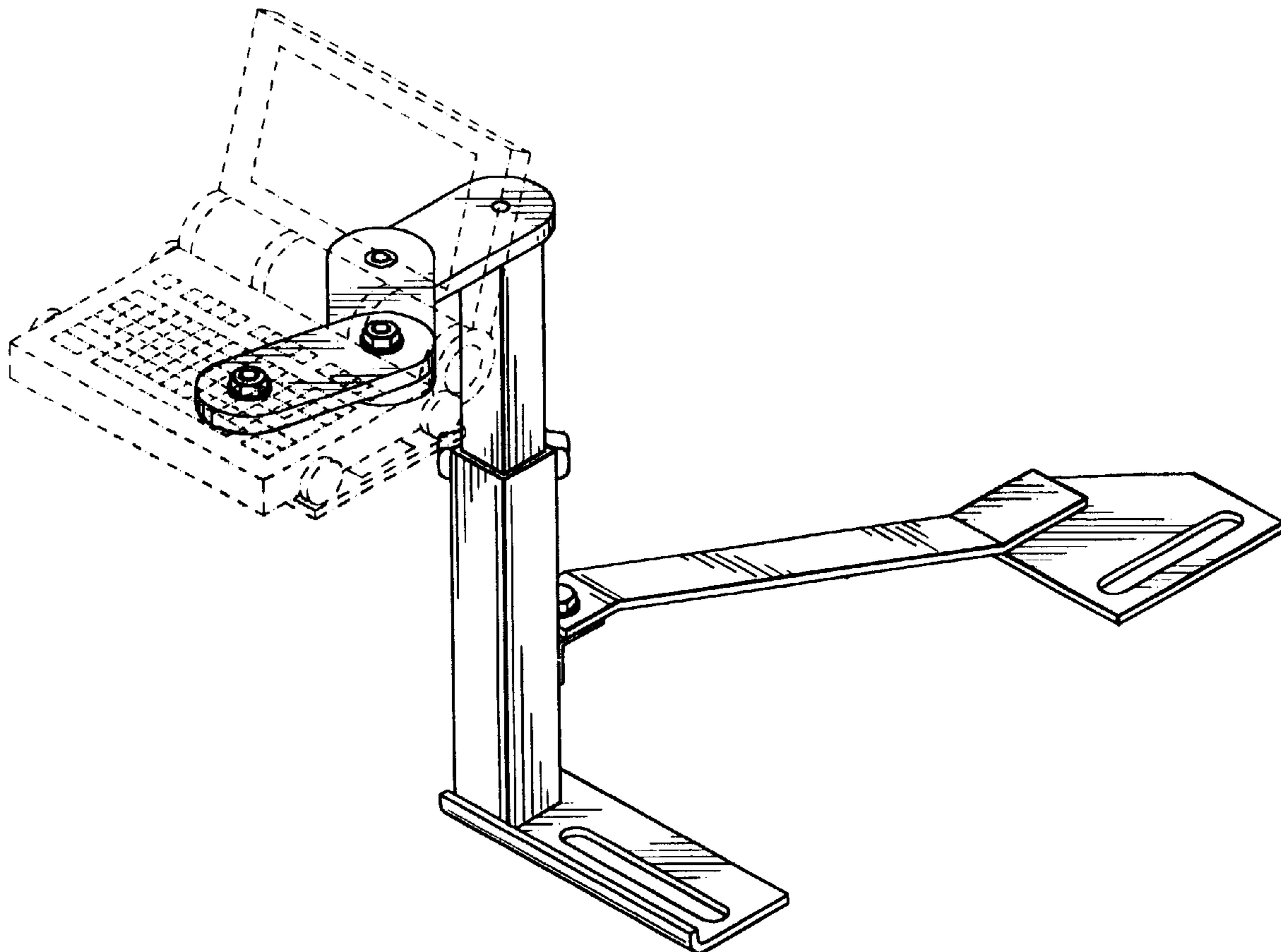
The ornamental design for a telescoping computer mount, as shown and described.

DESCRIPTION

FIG. 1 is a rear perspective view of a telescoping computer mount showing our new design; FIG. 2 is a top plan view thereof; FIG. 3 is a rear elevational view thereof; FIG. 4 is a bottom plan view thereof; FIG. 5 is a right side elevational view thereof; FIG. 6 is a front side elevational view thereof; and, FIG. 7 is a left side elevational view thereof.

The broken line drawing of a computer in all views is for illustrative purposes only and forms no part of the claimed design.

1 Claim, 3 Drawing Sheets



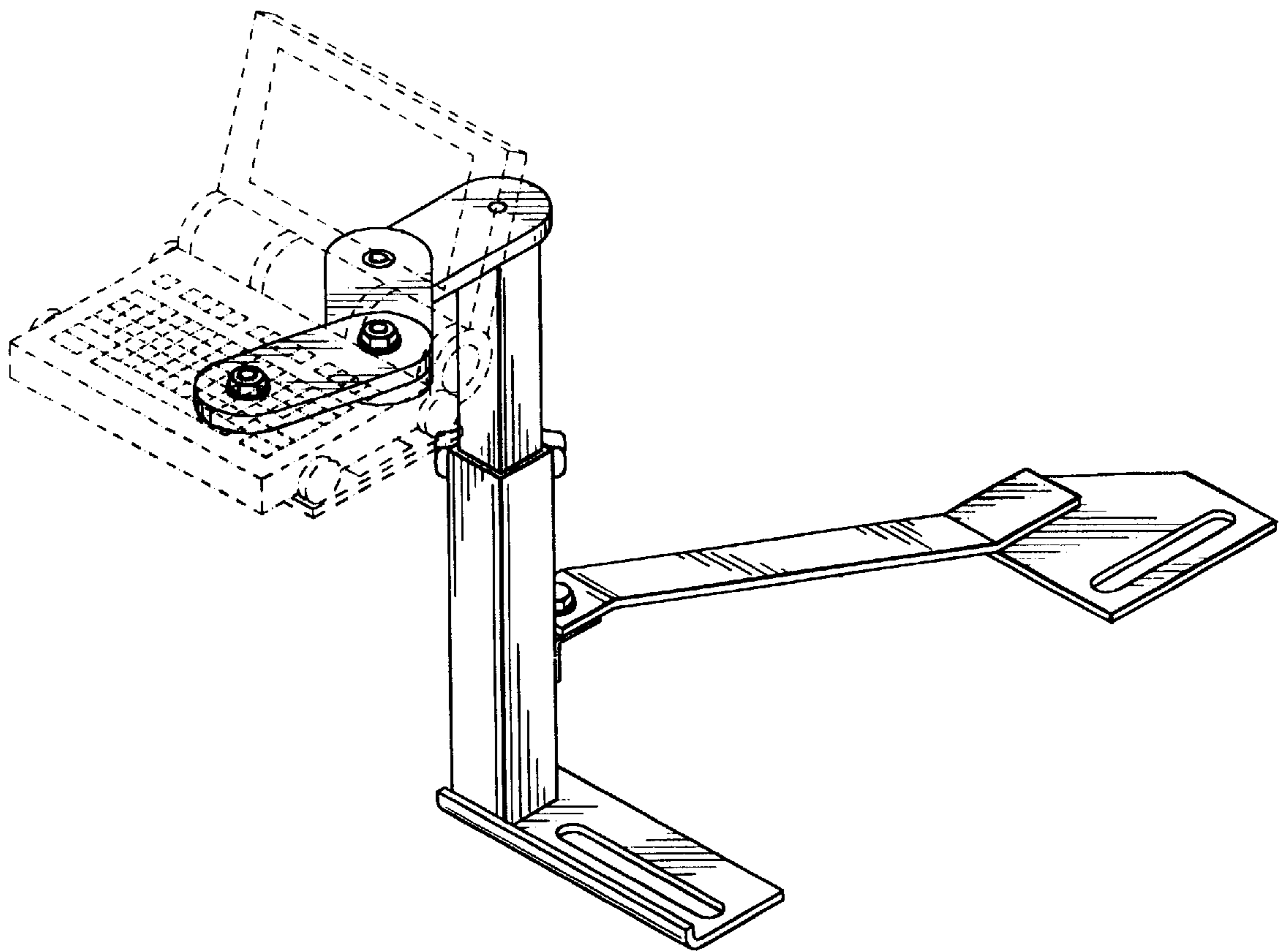


Fig. 1

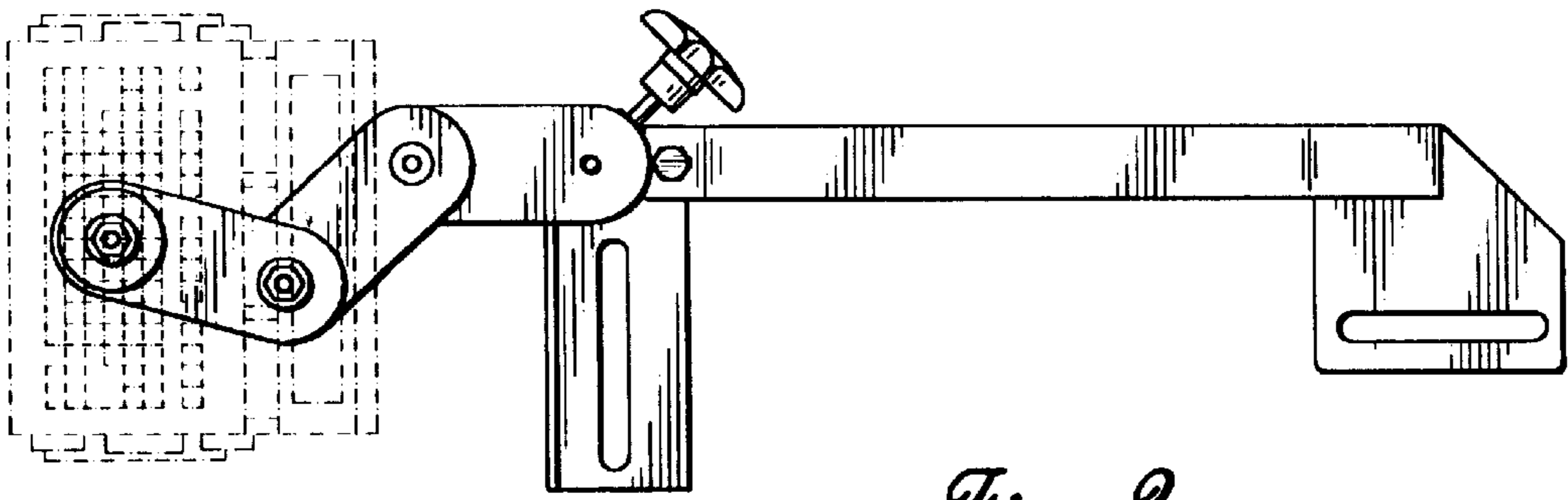


Fig. 2

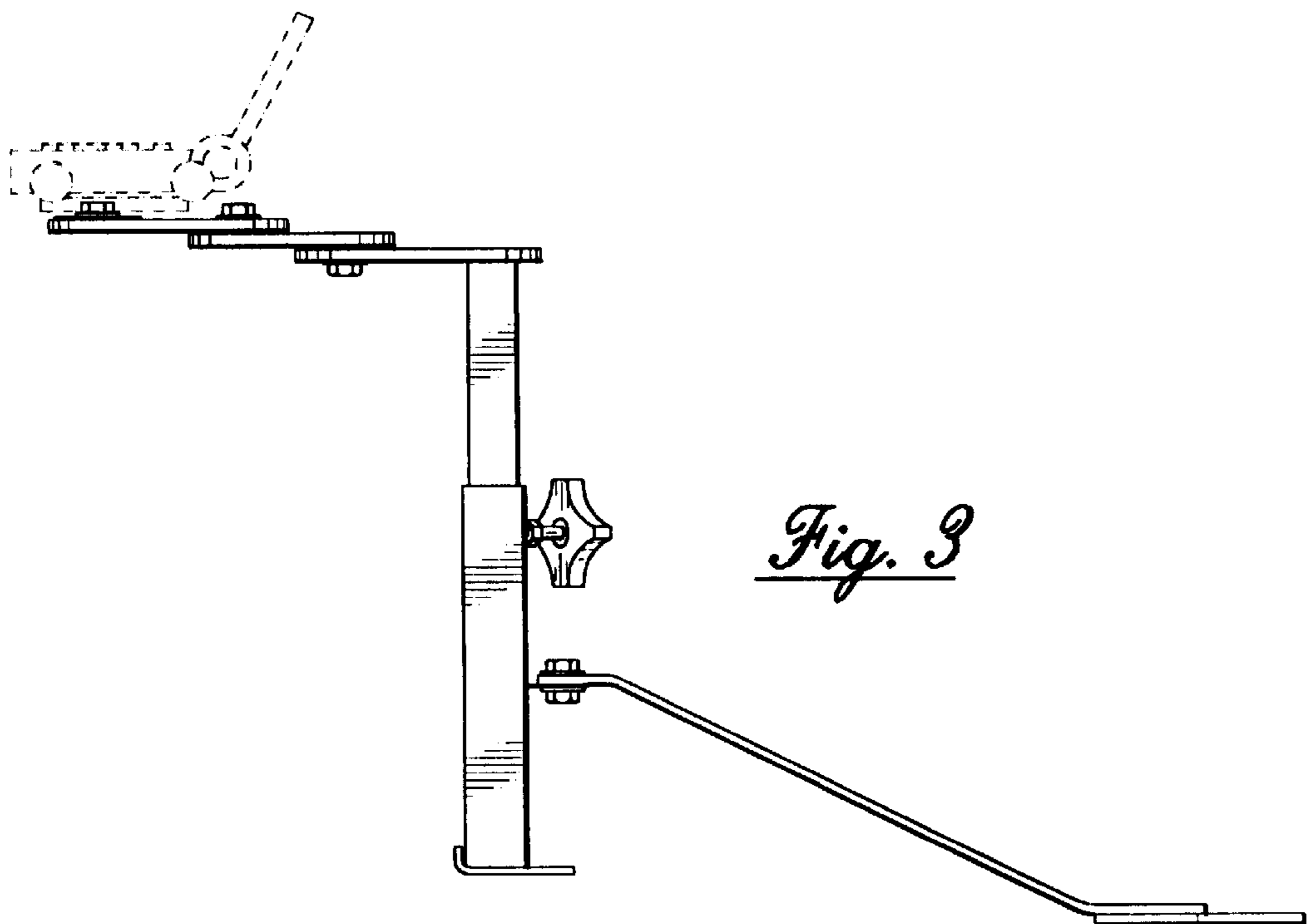


Fig. 3

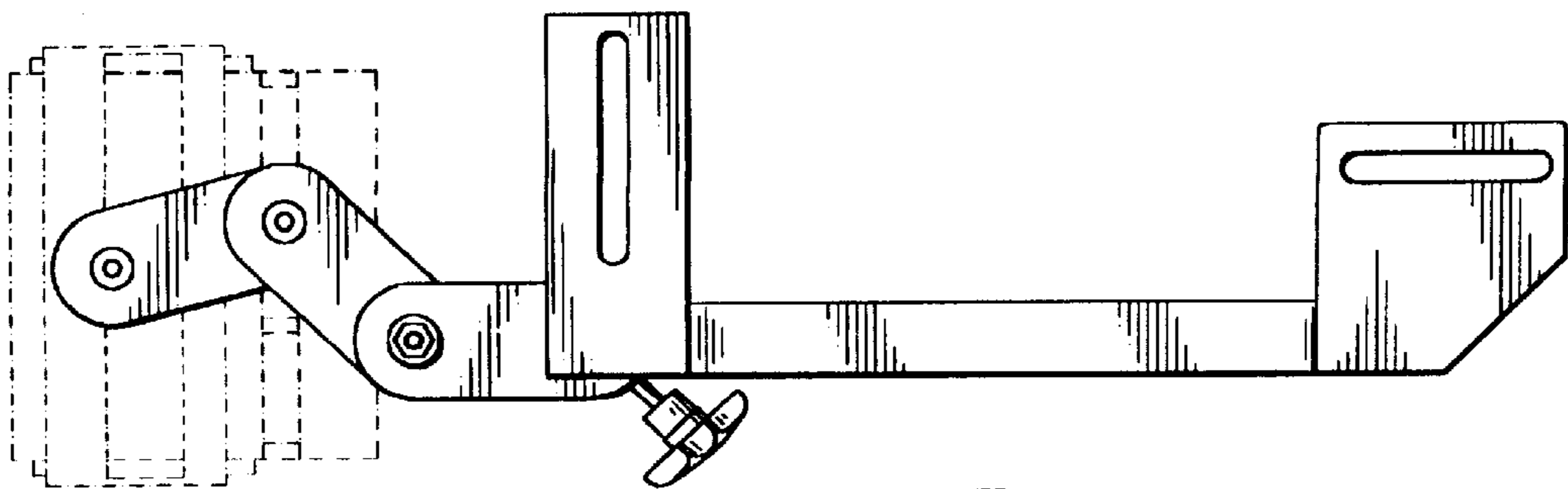


Fig. 4

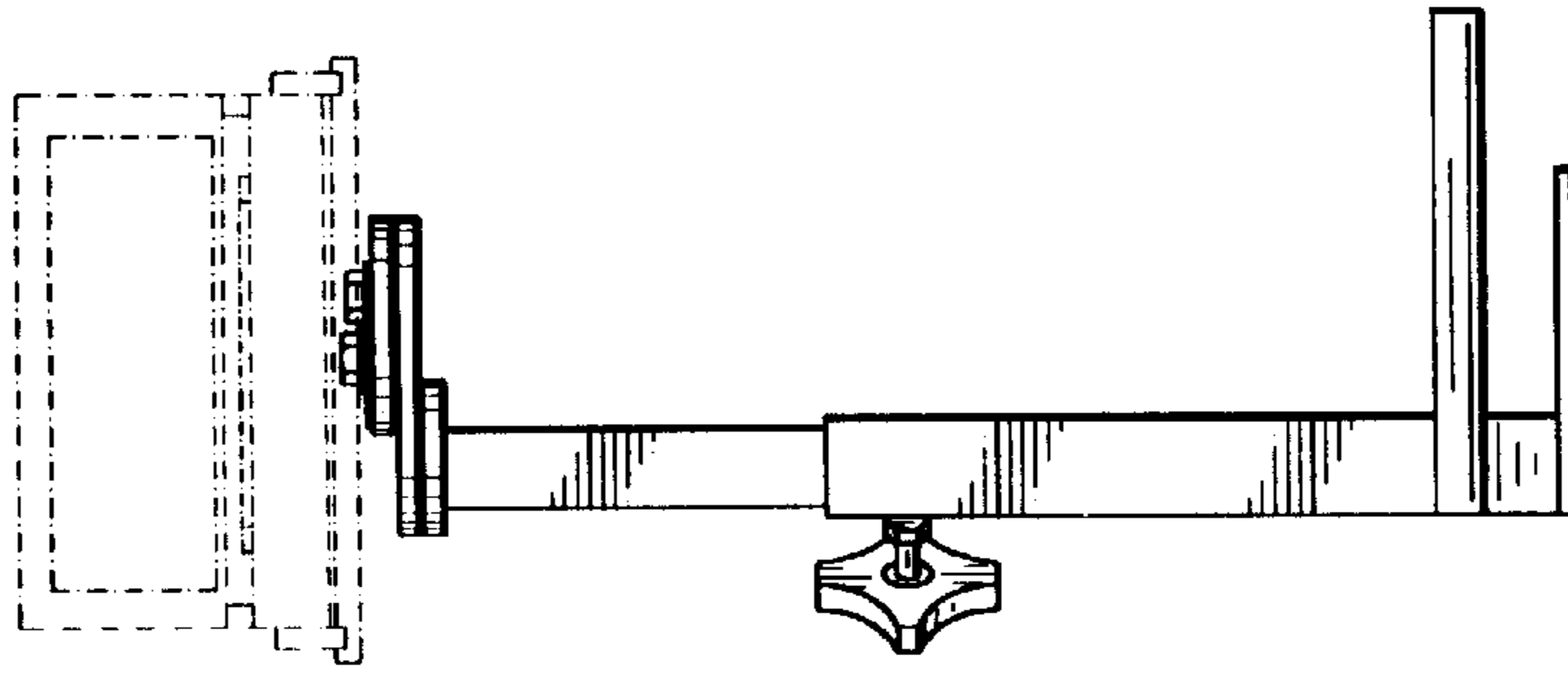


Fig. 7

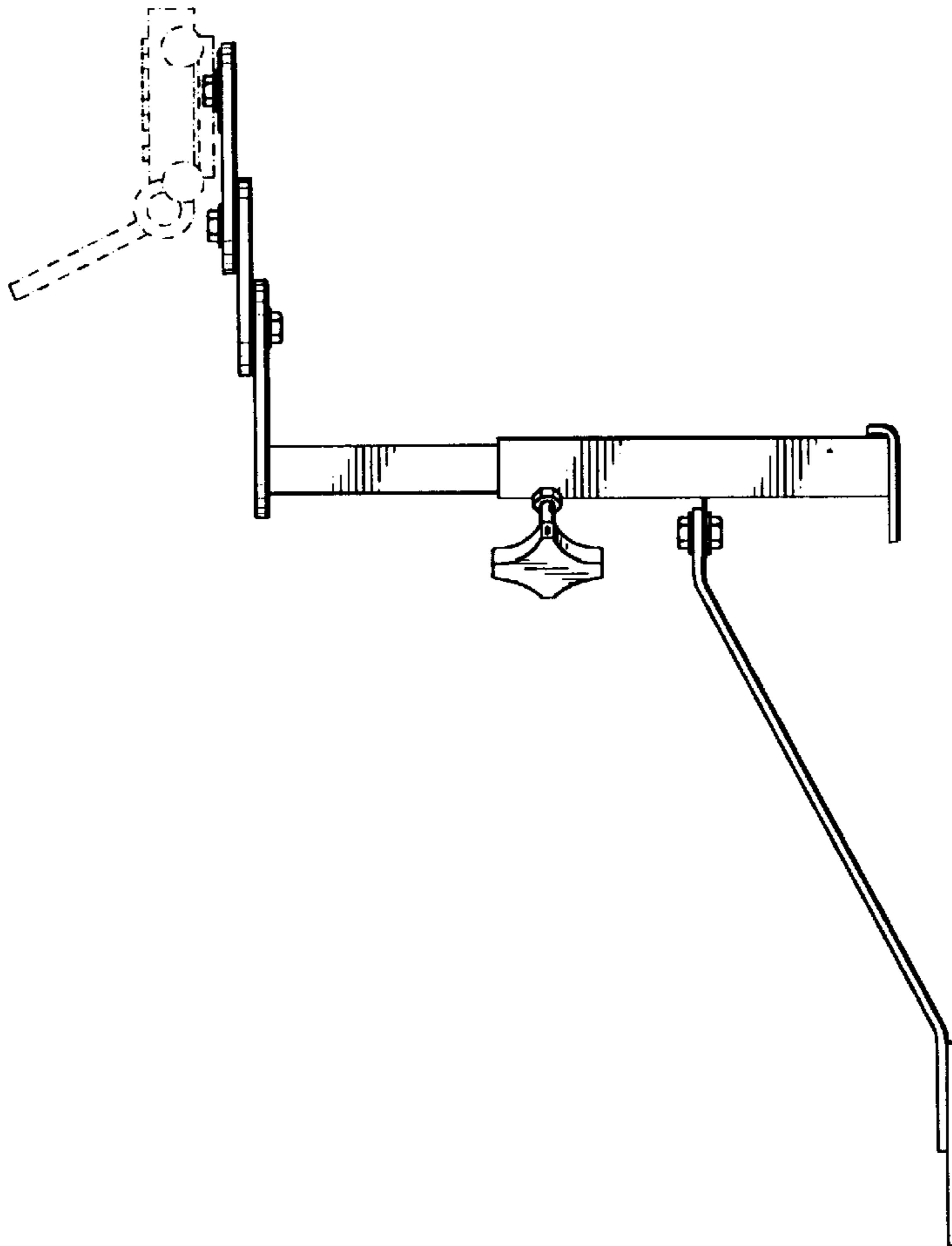


Fig. 6

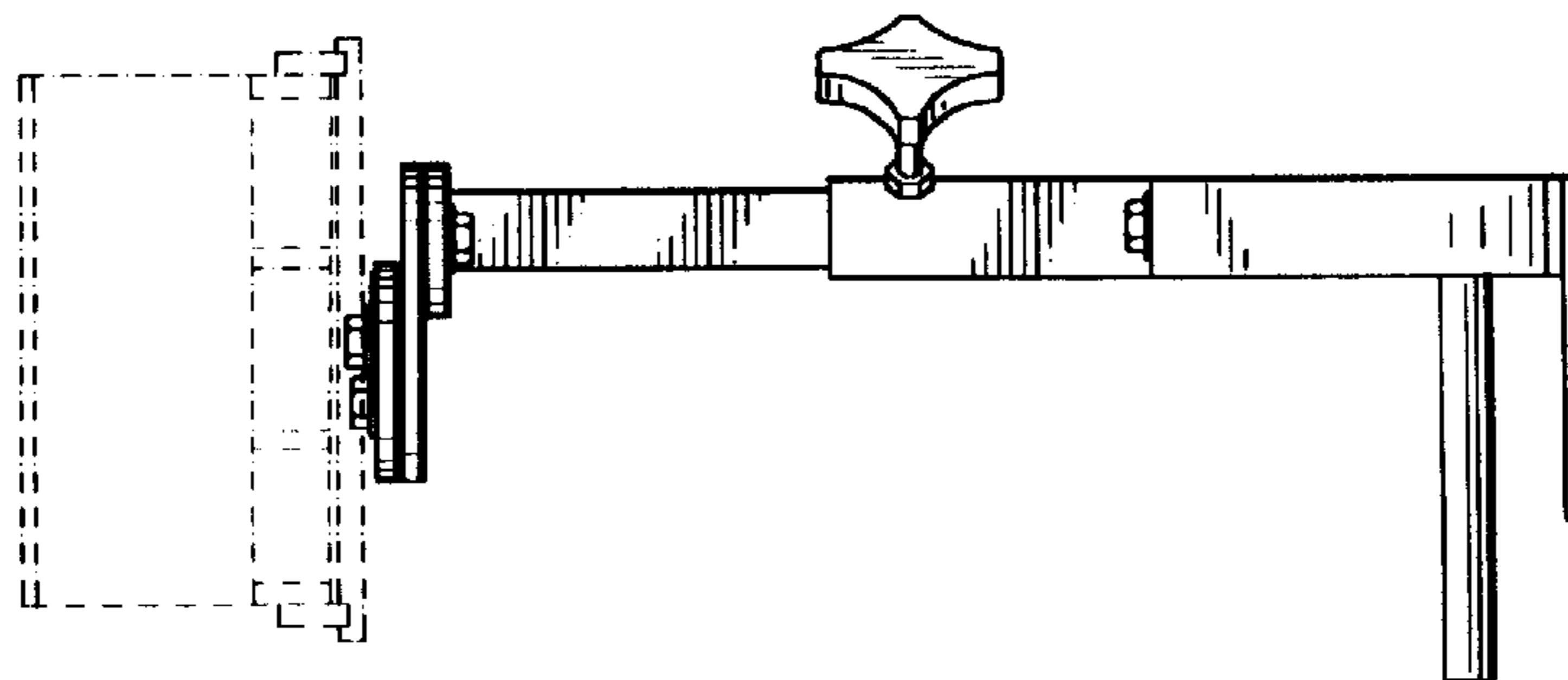


Fig. 5