



US00D429248S

United States Patent [19]

Koken et al.

[11] Patent Number: **Des. 429,248**

[45] Date of Patent: **** Aug. 8, 2000**

[54] **BEZEL FOR A COMPUTER**

[75] Inventors: **Michael Alan Koken**, Sunnyvale; **Max Chen**; **David K. Peschel**, both of San Francisco, all of Calif.

[73] Assignee: **Silicon Graphics, Inc.**, Mountain View, Calif.

[**] Term: **14 Years**

[21] Appl. No.: **29/108,315**

[22] Filed: **Jul. 23, 1999**

[51] **LOC (7) Cl.** **14-02**

[52] **U.S. Cl.** **D14/441**

[58] **Field of Search** D14/450, 441,
D14/258, 257; D13/184, 199, 164, 177;
312/223.2

[56] **References Cited**

U.S. PATENT DOCUMENTS

D. 230,485 2/1974 Jenkins D14/441

D. 242,467 11/1976 Jenkins D14/441
D. 371,123 6/1996 Amundsen D14/441

Primary Examiner—Freda Nunn
Attorney, Agent, or Firm—Wagner Murabito & Hao LLP

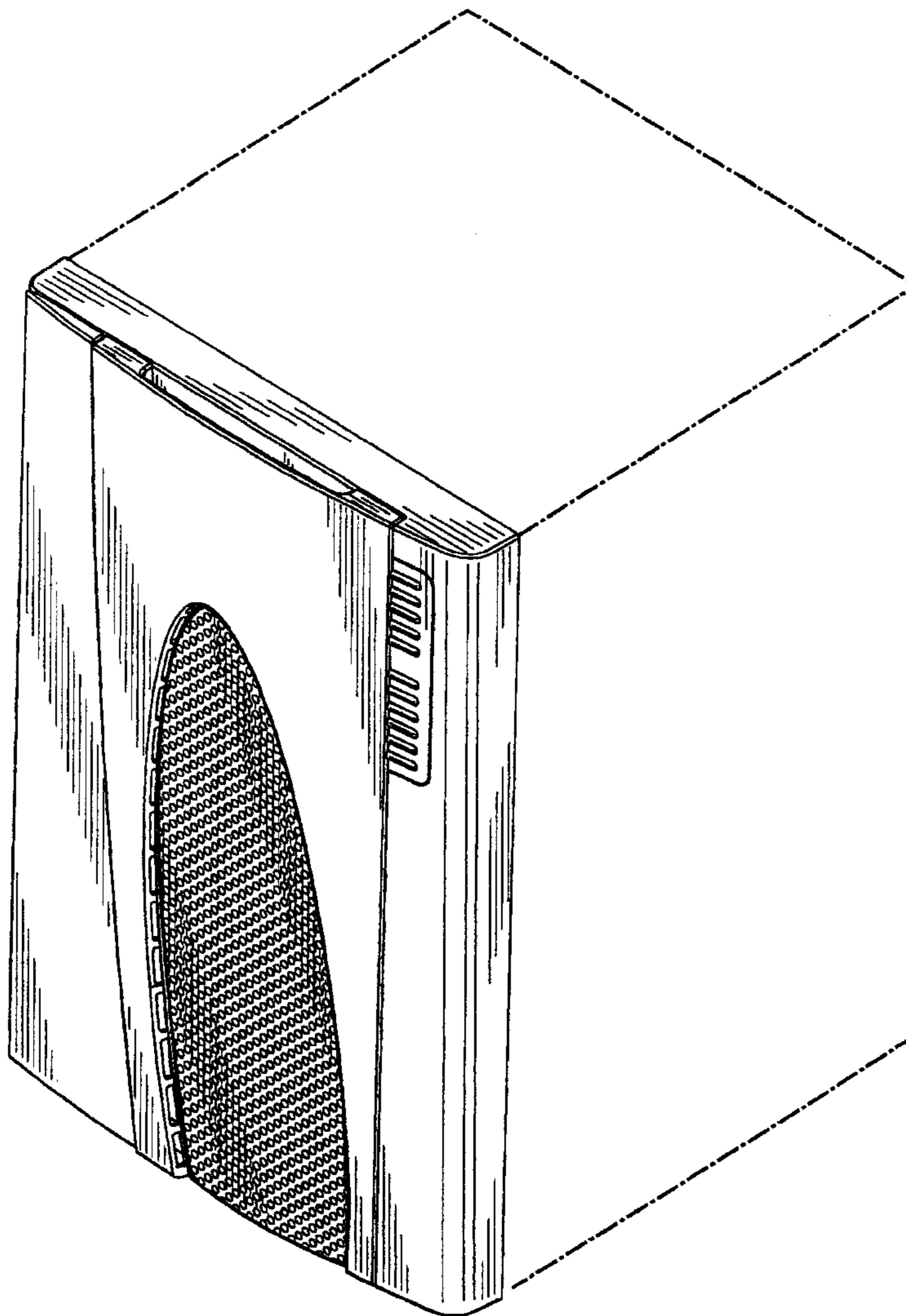
[57] **CLAIM**

We claim the ornamental design for a bezel for a computer, as shown and described.

DESCRIPTION

FIG. 1 is a upper right front perspective view of a bezel for a computer, with the rest of the unclaimed portion of a computer shown in phantom lines for illustrative purposes only and forms no part of the claimed design;
FIG. 2 is a front elevational view thereof, the rear contains no design features;
FIG. 3 is a left side elevational view thereof;
FIG. 4 is a right side elevational view thereof;
FIG. 5 is a top plan view thereof; and,
FIG. 6 is a bottom plan view thereof.

1 Claim, 4 Drawing Sheets



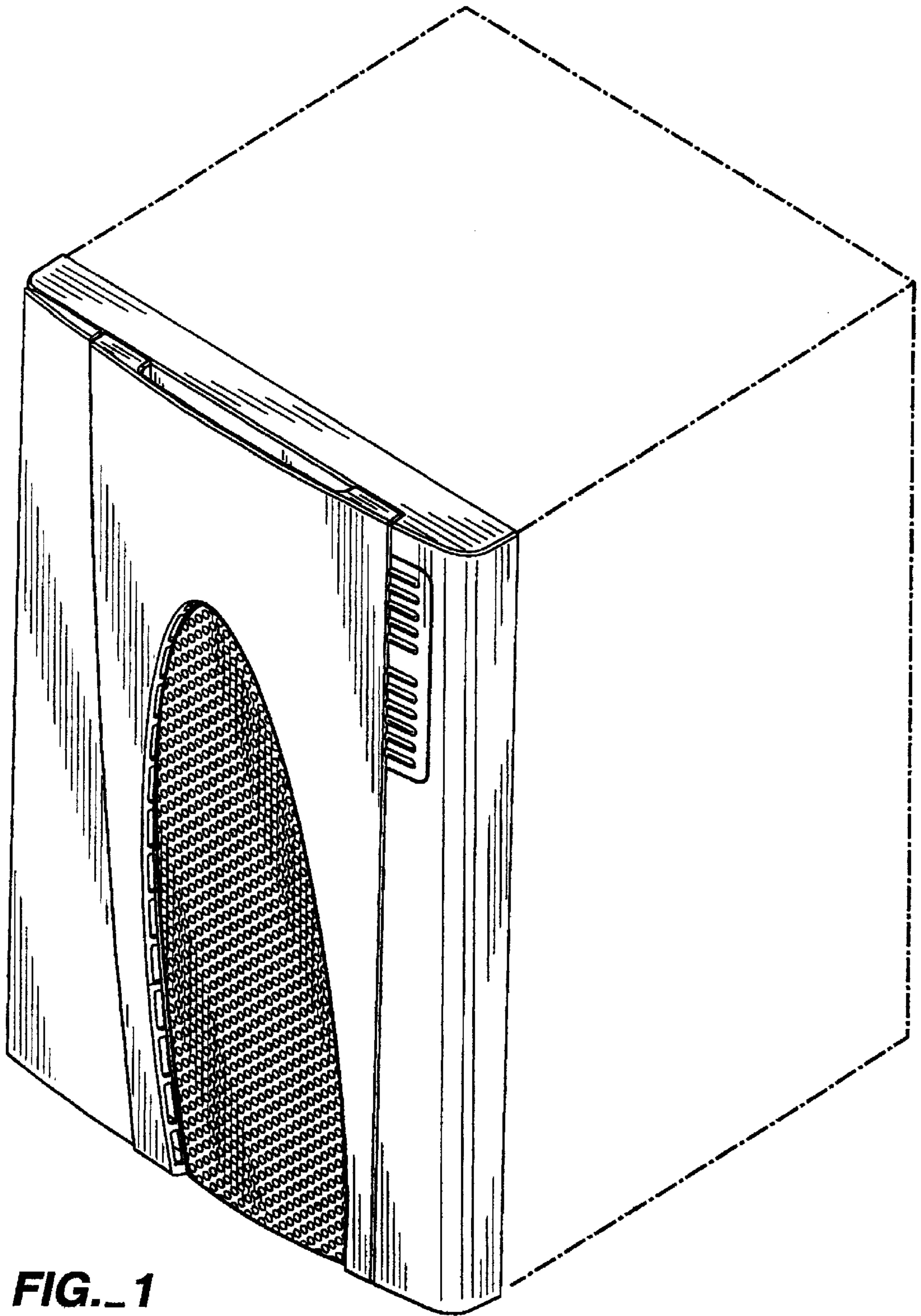


FIG. 1

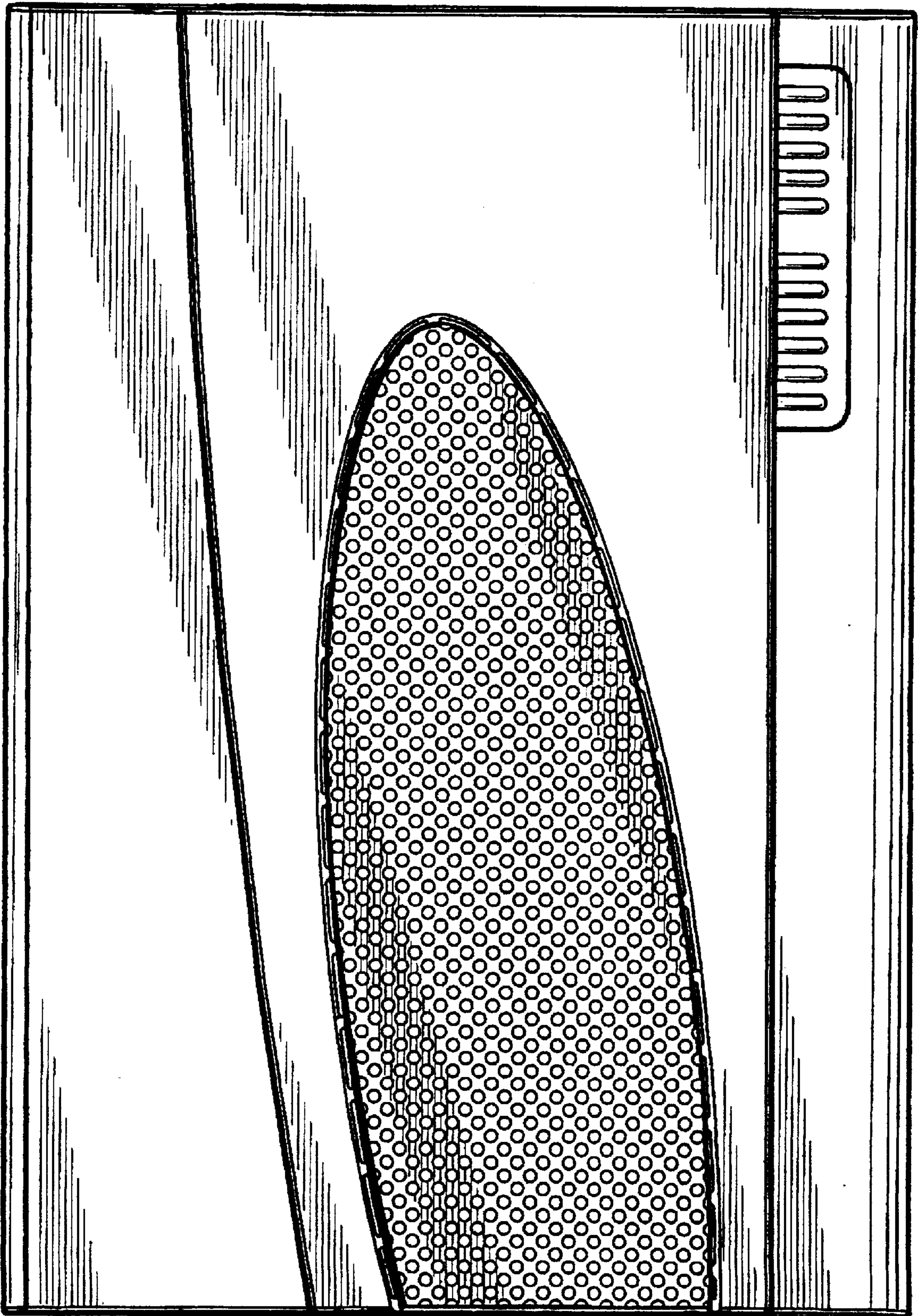


FIG. 2

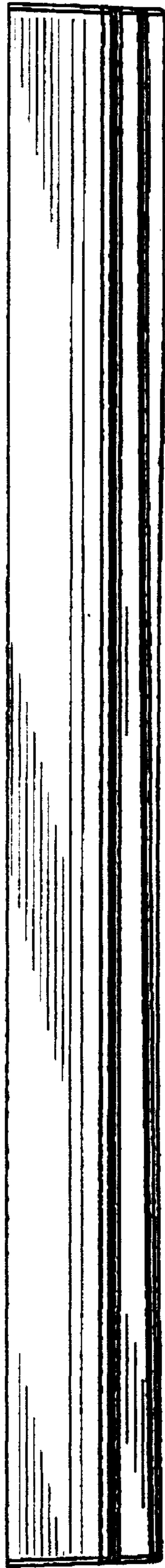


FIG. 3



FIG. 4

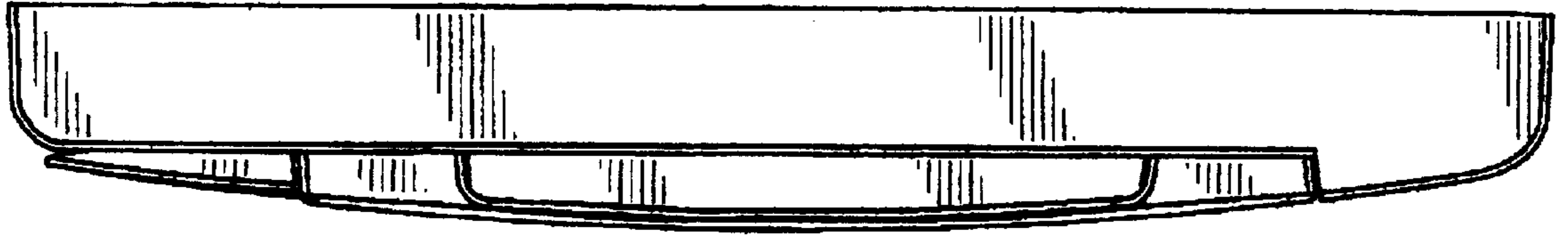


FIG. 5

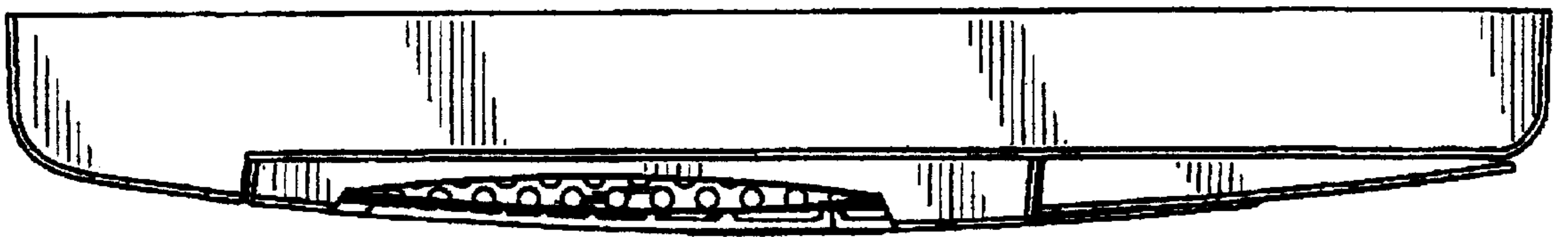


FIG. 6