



US00D429247S

United States Patent [19] Larkin

[11] Patent Number: Des. 429,247

[45] Date of Patent: ** Aug. 8, 2000

[54] MOUSE CORD RETAINER

5,116,011 5/1992 Smith .

[76] Inventor: Edward F. Larkin, R.R. 2 Box 7290,
Winthrop, Me. 04364

FOREIGN PATENT DOCUMENTS

[**] Term: 14 Years

137097 1/1947 Australia .

932415 8/1973 Canada .

1024880 4/1953 France .

487037 11/1953 Italy .

611878 11/1948 United Kingdom .

660649 11/1951 United Kingdom .

[21] Appl. No.: 29/103,606

[22] Filed: Apr. 17, 1999

Primary Examiner—Kay H. Chin

[51] LOC (7) Cl. 14-02

[52] U.S. Cl. D14/432

[57] CLAIM

[58] Field of Search D14/432, 433,
D14/434; 248/117.1–117.7; D8/395, 396,
394, 356; D19/56; 24/10 R, 11 P, 115 R,
129 R

The ornamental design for a mouse cord retainer, as shown and described.

DESCRIPTION

[56] References Cited

U.S. PATENT DOCUMENTS

D. 350,947	9/1994	Klinger et al.	D14/432
1,282,039	10/1918	Bullock et al. .	
1,282,040	10/1918	Bullock et al. .	
1,530,529	3/1925	Weber .	
1,586,300	5/1926	Fields .	
1,785,518	2/1930	Higgins .	
1,862,411	6/1932	Mackenzie, Jr. .	
2,191,011	2/1940	Dorman .	
2,205,139	6/1940	Gunderson .	
2,478,498	8/1949	Myers .	
2,482,957	9/1949	Willens .	
3,473,767	10/1969	Schwaneke .	

FIG. 1 is a front perspective view of my new mouse cord retainer design with the computer mouse cord retaining spring shown in phantom lines and depicting the environment for the invention. The dashed lines in FIGS. 1 through 6 form no part of my new design invention; FIG. 2 is a side view of the mouse cord retainer of FIG. 1; FIG. 3 is a top view of the mouse cord retainer of FIG. 1; FIG. 4 is a bottom view of the mouse cord retainer of FIG. 1; FIG. 5 is a rear view of the mouse cord retainer of FIG. 1; and, FIG. 6 is a front view of the mouse cord retainer of FIG. 1.

1 Claim, 3 Drawing Sheets

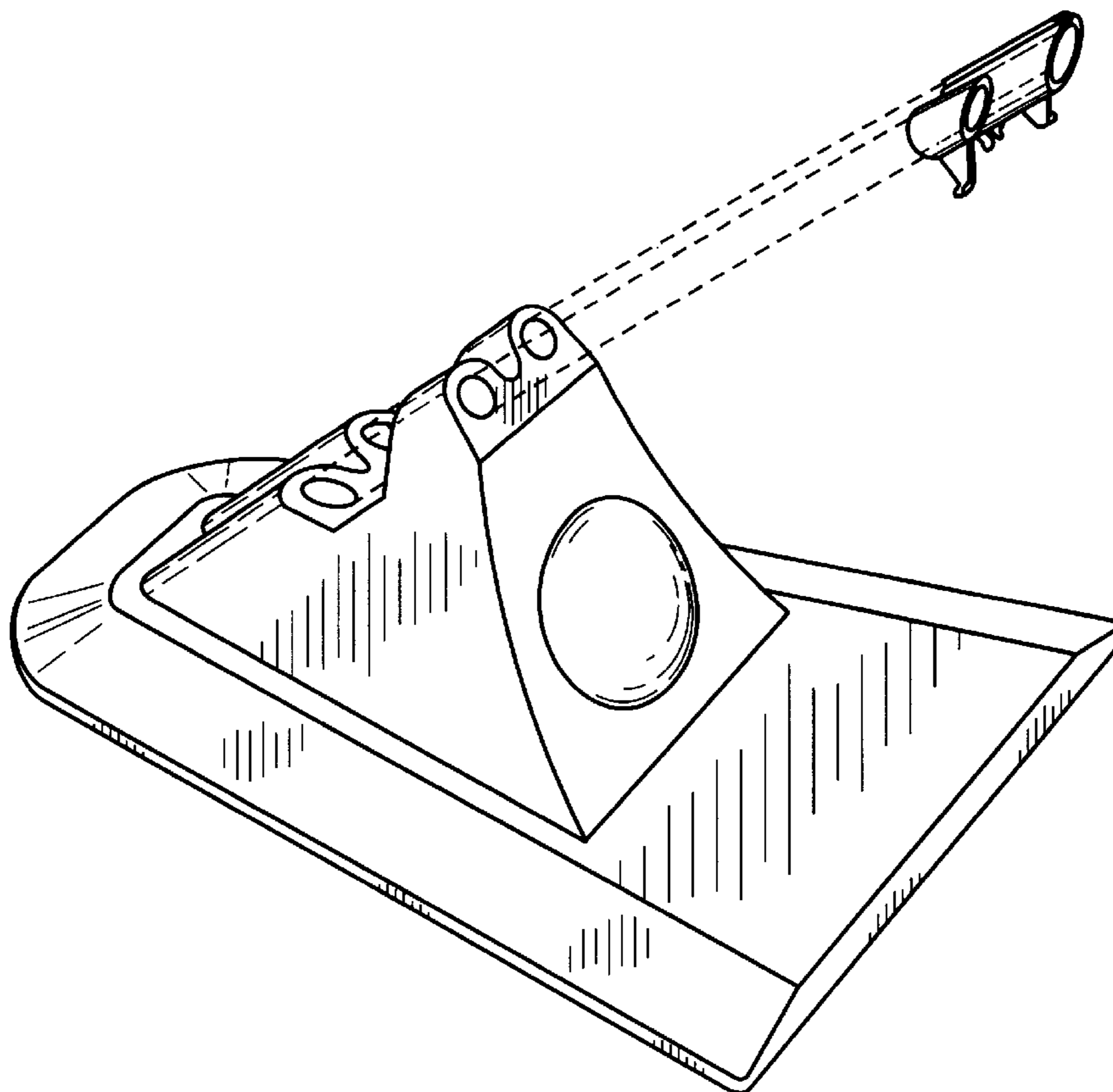


Fig. 1

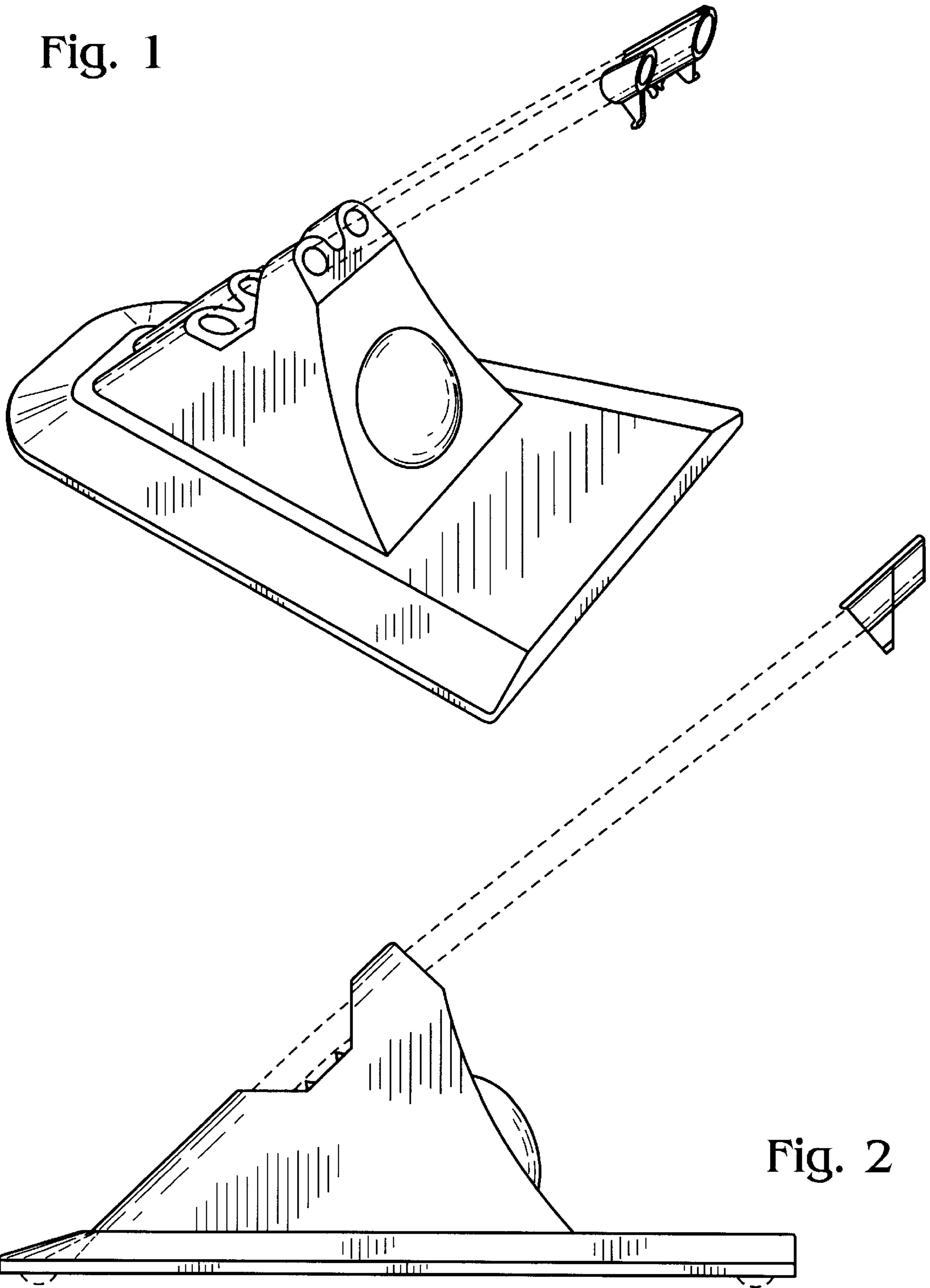


Fig. 2

Fig. 3

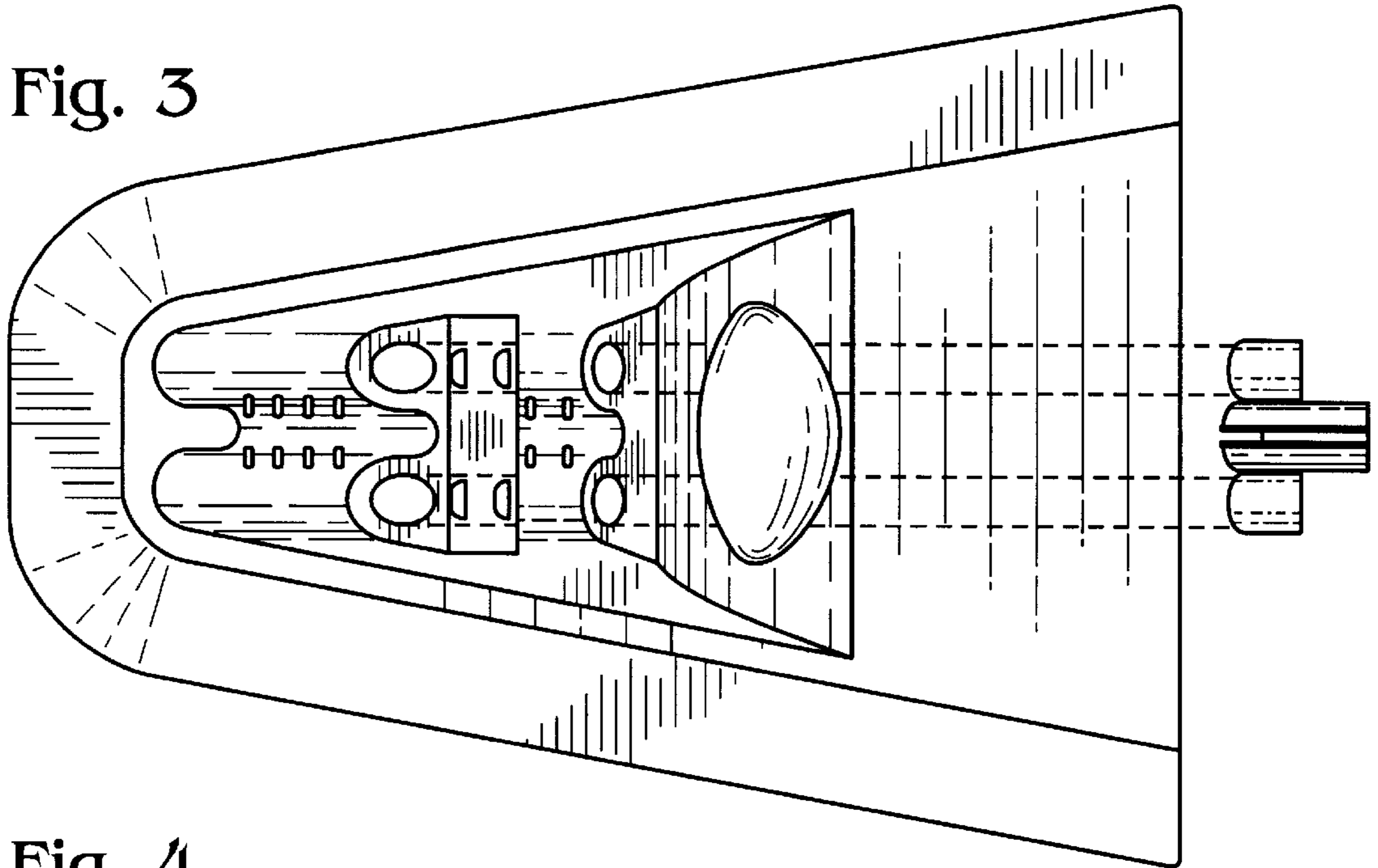
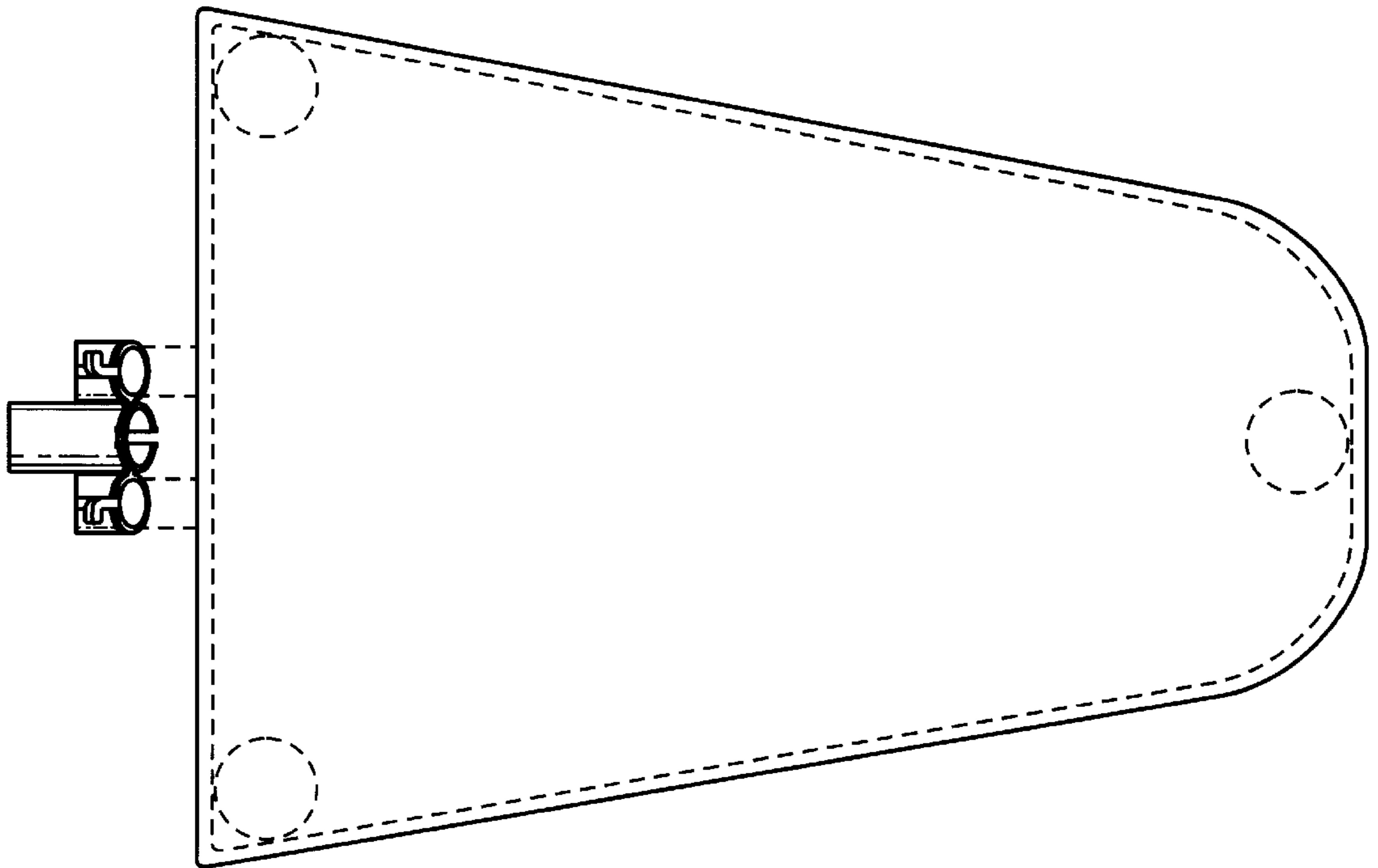


Fig. 4



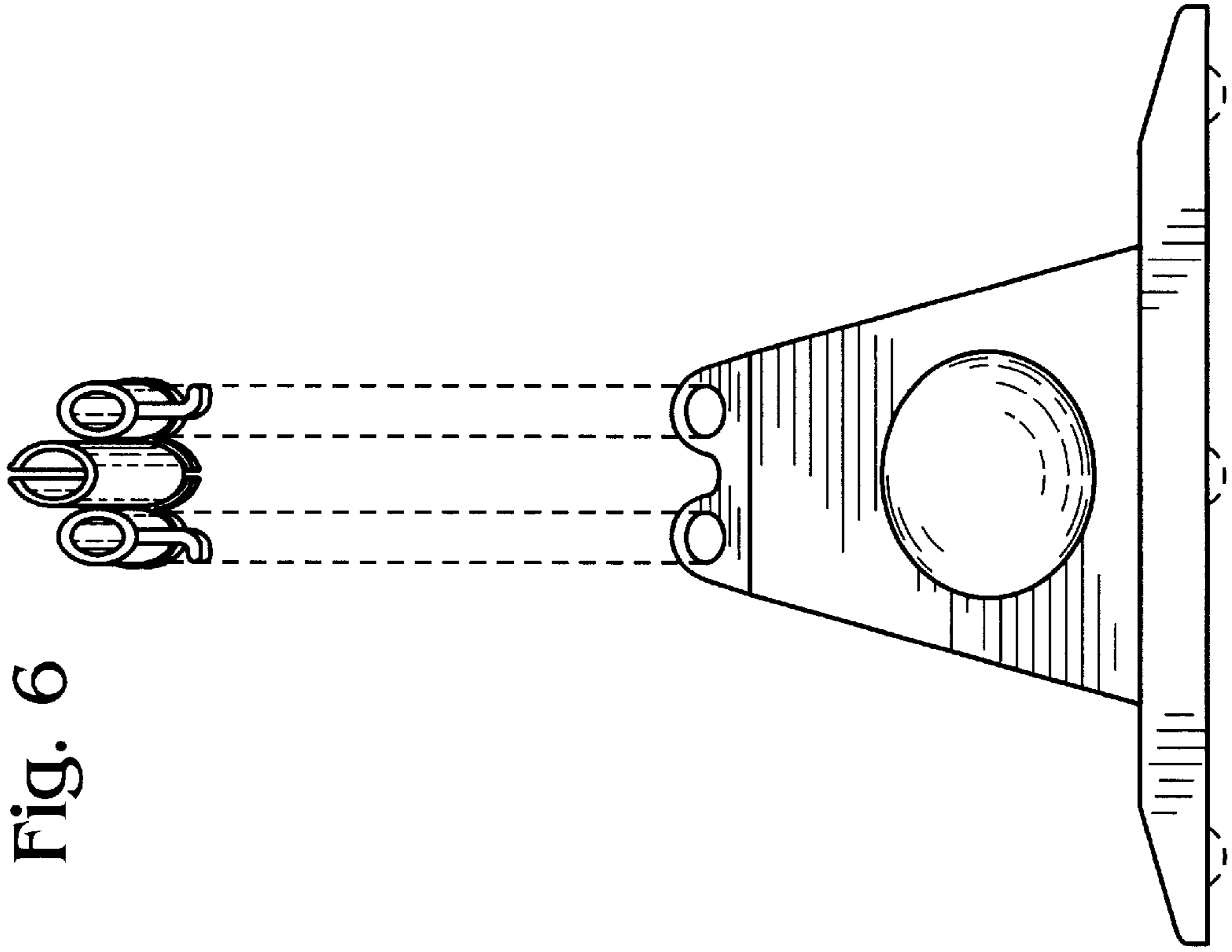


Fig. 6

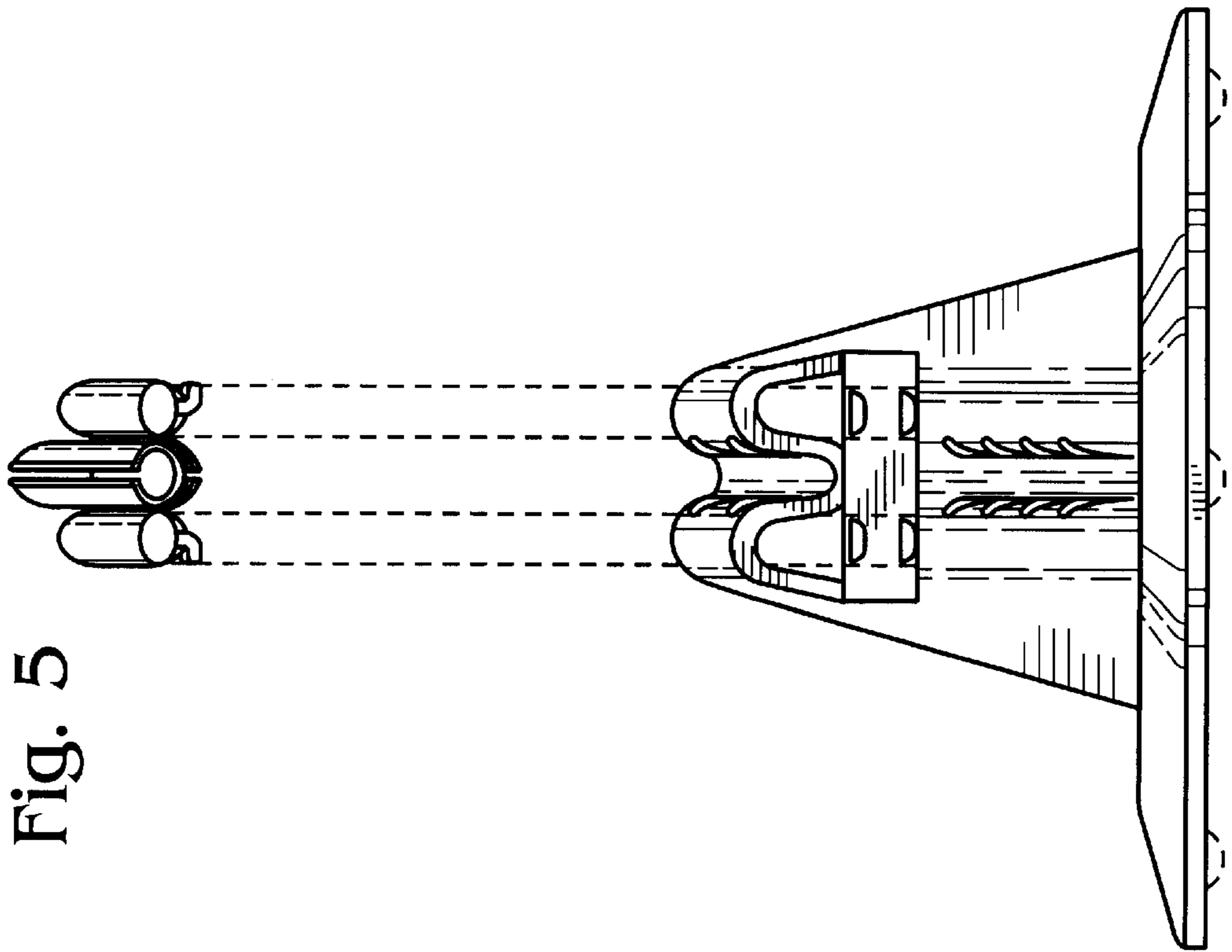


Fig. 5