



US00D429246S

United States Patent [19] Holma

[11] Patent Number: Des. 429,246

[45] Date of Patent: ** Aug. 8, 2000

[54] ARM SUPPORT WITH CONTROL PANEL

[75] Inventor: Tapani Holma, Kangasala, Finland

[73] Assignee: Timberjack OY, Tampere, Finland

[**] Term: 14 Years

[21] Appl. No.: 29/077,753

[22] Filed: Oct. 8, 1997

[30] Foreign Application Priority Data

Apr. 9, 1997 [SE] Sweden 97-0833

[51] LOC (7) Cl. 21-01

[52] U.S. Cl. D14/412

[58] Field of Search D14/117.1, 117.5,
D14/117.6, 117.7; D21/324, 333; 273/148 B;
463/1, 29-47; 345/161

[56] References Cited

U.S. PATENT DOCUMENTS

D. 274,631	7/1984	Smith, III et al.	D14/117.7
D. 370,941	6/1996	Couch et al.	D14/117.7
D. 378,931	4/1997	Couch et al.	D14/117.7
D. 396,899	8/1998	Kaneko et al.	D14/117.6
D. 409,182	5/1999	Tyler	D14/117.5
4,658,666	4/1987	Liu	273/148 B X
4,748,441	5/1988	Brezinski	273/148 B X
5,786,807	7/1998	Couch et al.	345/161

OTHER PUBLICATIONS

Hong Kong Electronics Catalog, p. 9, Oct. 1985.

Primary Examiner—Prabhakar Deshmukh
Attorney, Agent, or Firm—Burns, Doane, Swecker & Mathis, L.L.P.

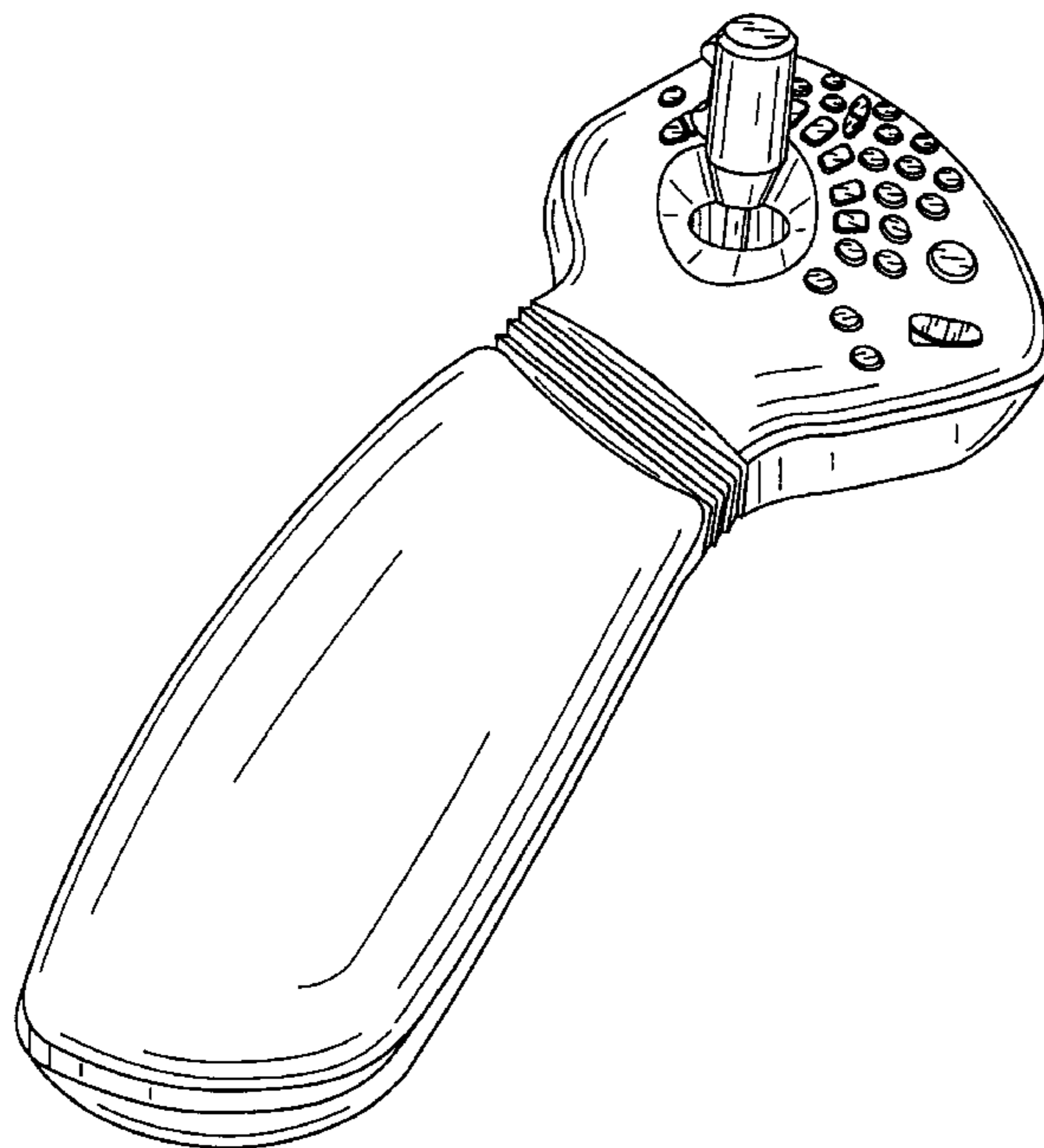
[57] CLAIM

The ornamental design for an arm support with control panel, as shown and described.

DESCRIPTION

FIG. 1 is a perspective view of an arm support with control panel showing my new design;
 FIG. 2 is a top plan view thereof;
 FIG. 3 is a bottom view thereof;
 FIG. 4 is a rear view thereof;
 FIG. 5 is a front view thereof;
 FIG. 6 is a side elevational view thereof;
 FIG. 7 is a side elevational view of the other side thereof;
 FIG. 8 is an enlarged perspective view of the control panel shown in FIG. 1 when disconnected from the arm support;
 FIG. 9 is a top view thereof;
 FIG. 10 is a bottom view thereof;
 FIG. 11 is a front view thereof;
 FIG. 12 is a rear view thereof;
 FIG. 13 is a side elevational view thereof;
 FIG. 14 is a side elevational view of the other side thereof;
 FIG. 15 is a perspective view of a further embodiment of the arm support with control panel shown in FIG. 1;
 FIG. 16 is a top plan view thereof;
 FIG. 17 is a bottom view thereof;
 FIG. 18 is a rear view thereof;
 FIG. 19 is a front view thereof;
 FIG. 20 is a side elevational view thereof;
 FIG. 21 is a side elevational view of the other side thereof;
 FIG. 22 is an enlarged perspective view of the control panel shown in FIG. 15 when disconnected from the arm support;
 FIG. 23 is a top view thereof;
 FIG. 24 is a bottom view thereof;
 FIG. 25 is a front view thereof;
 FIG. 26 is a rear view thereof;
 FIG. 27 is a side elevational view thereof; and,
 FIG. 28 is a side elevational view of the other side thereof.

1 Claim, 22 Drawing Sheets



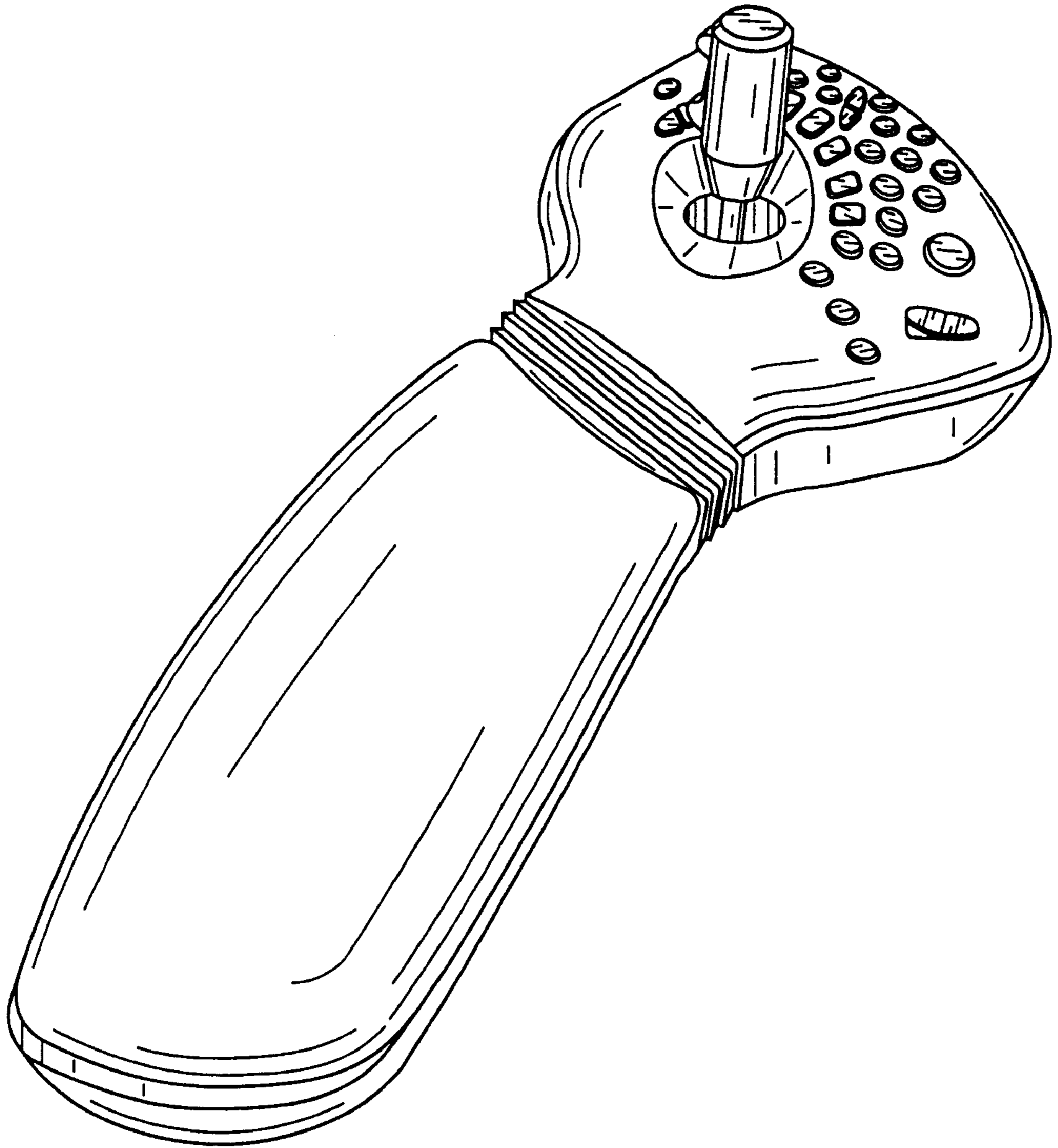


FIG. 1

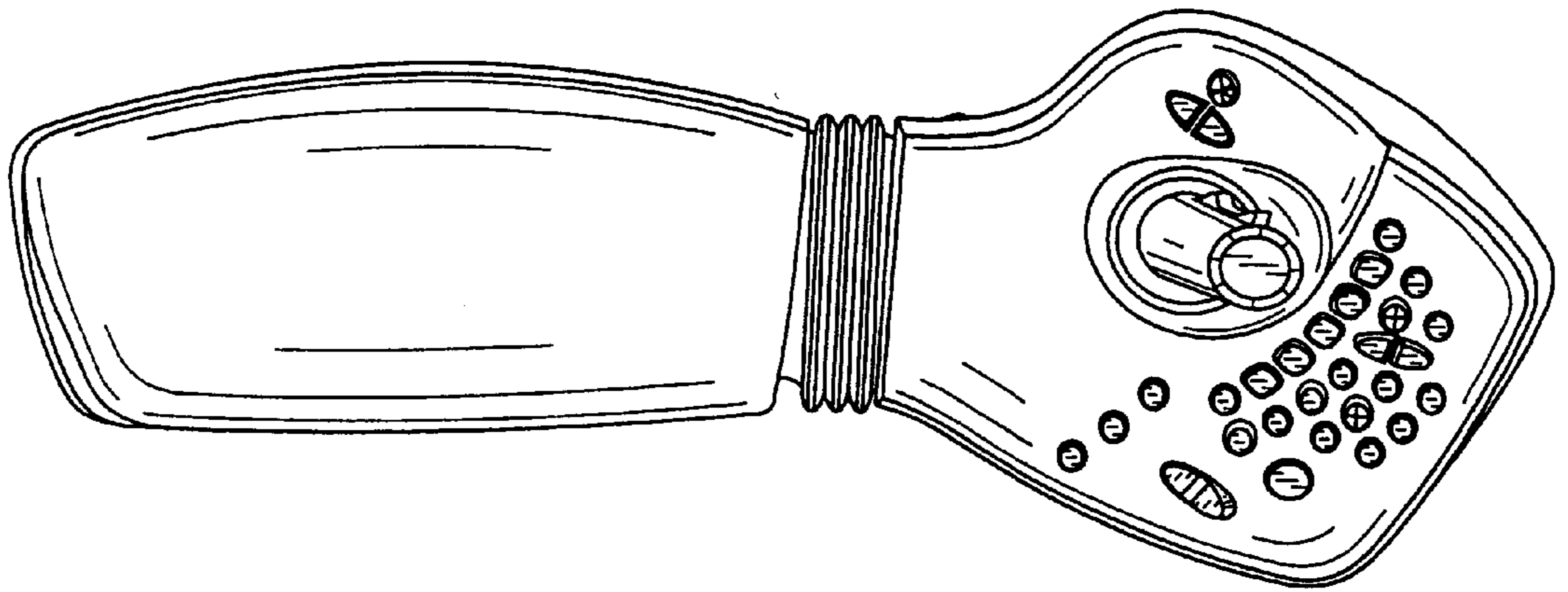


FIG. 2

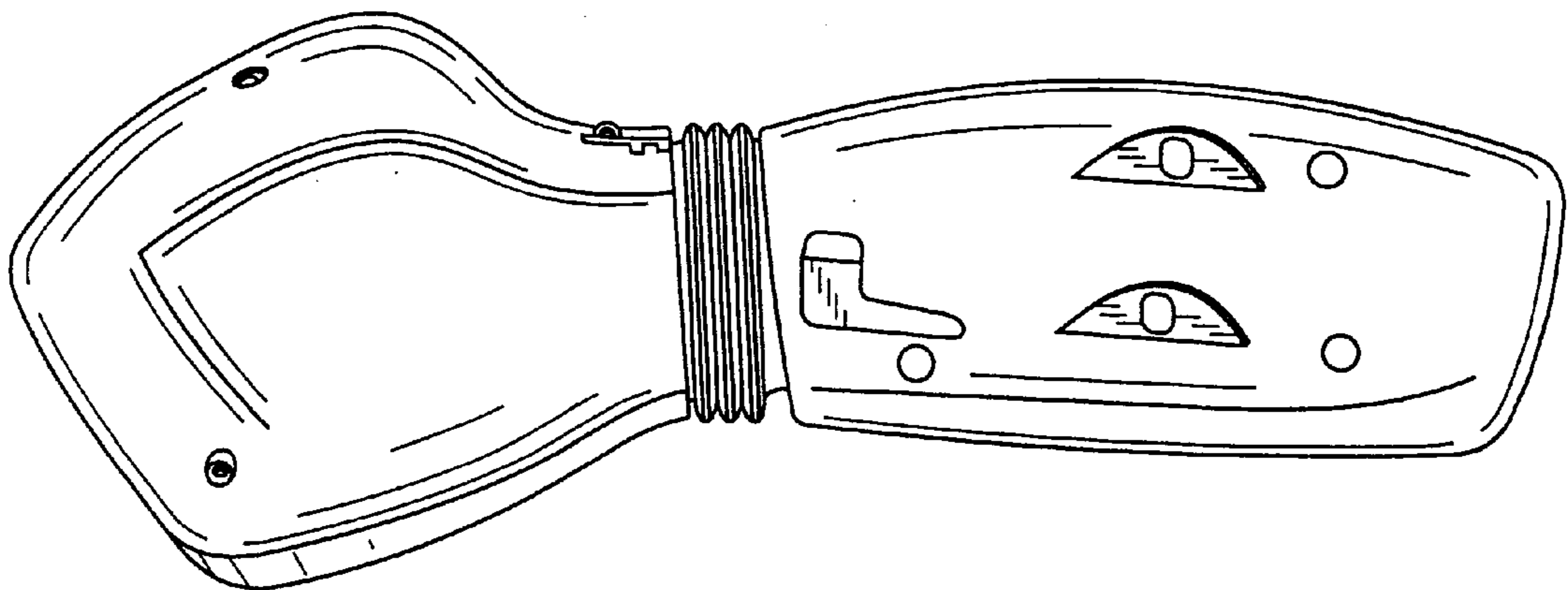


FIG. 3

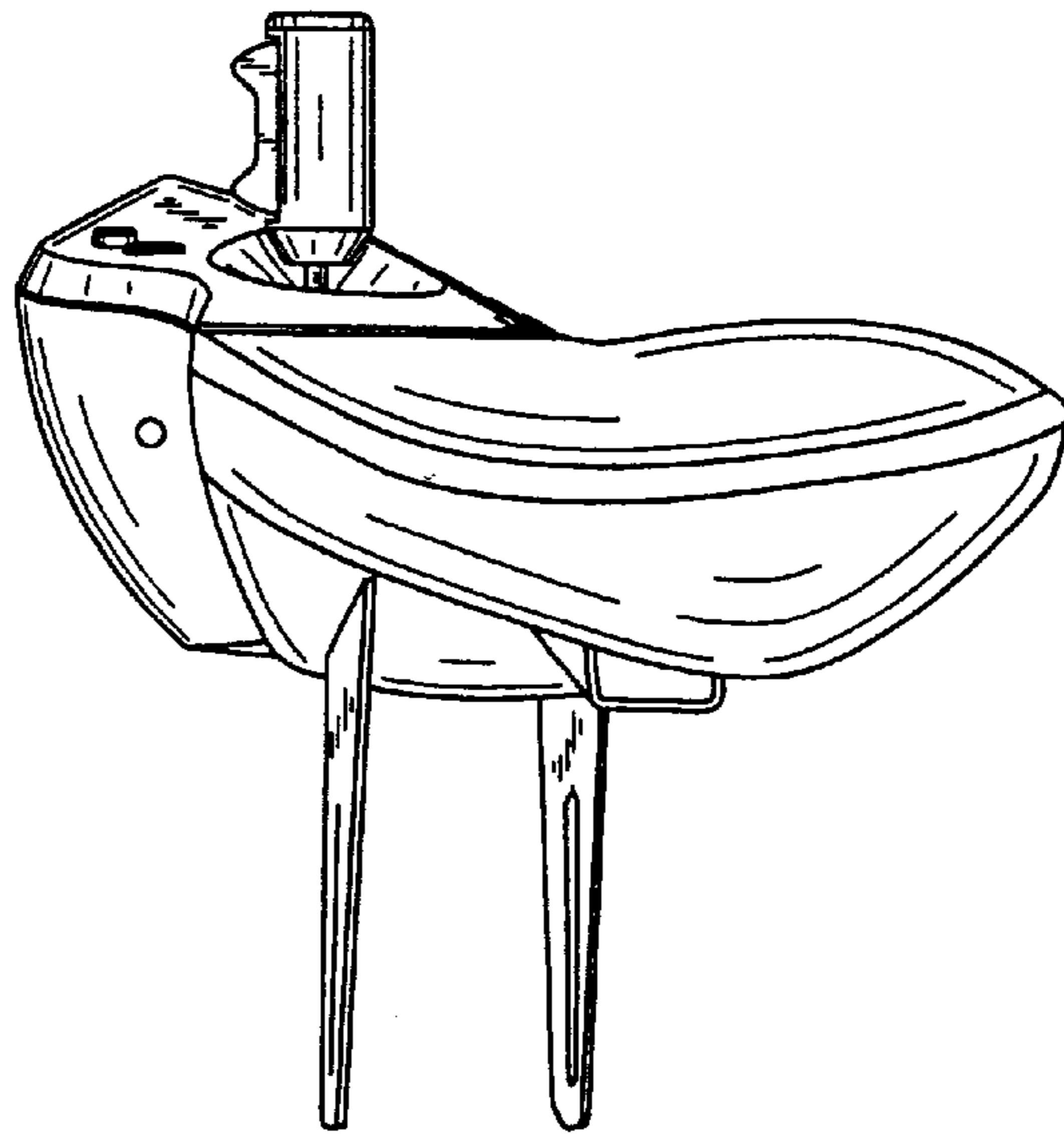


FIG. 4

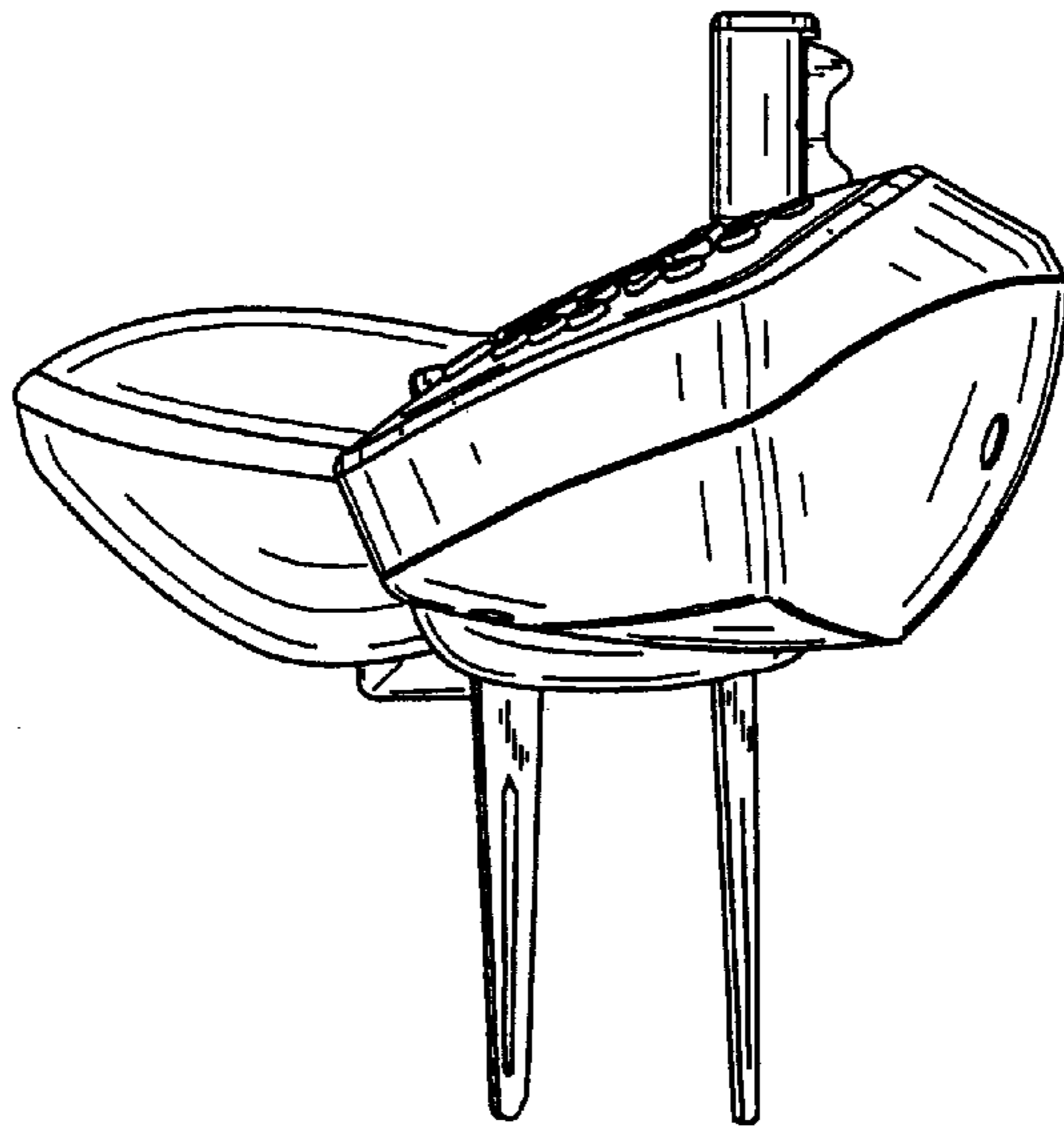


FIG. 5

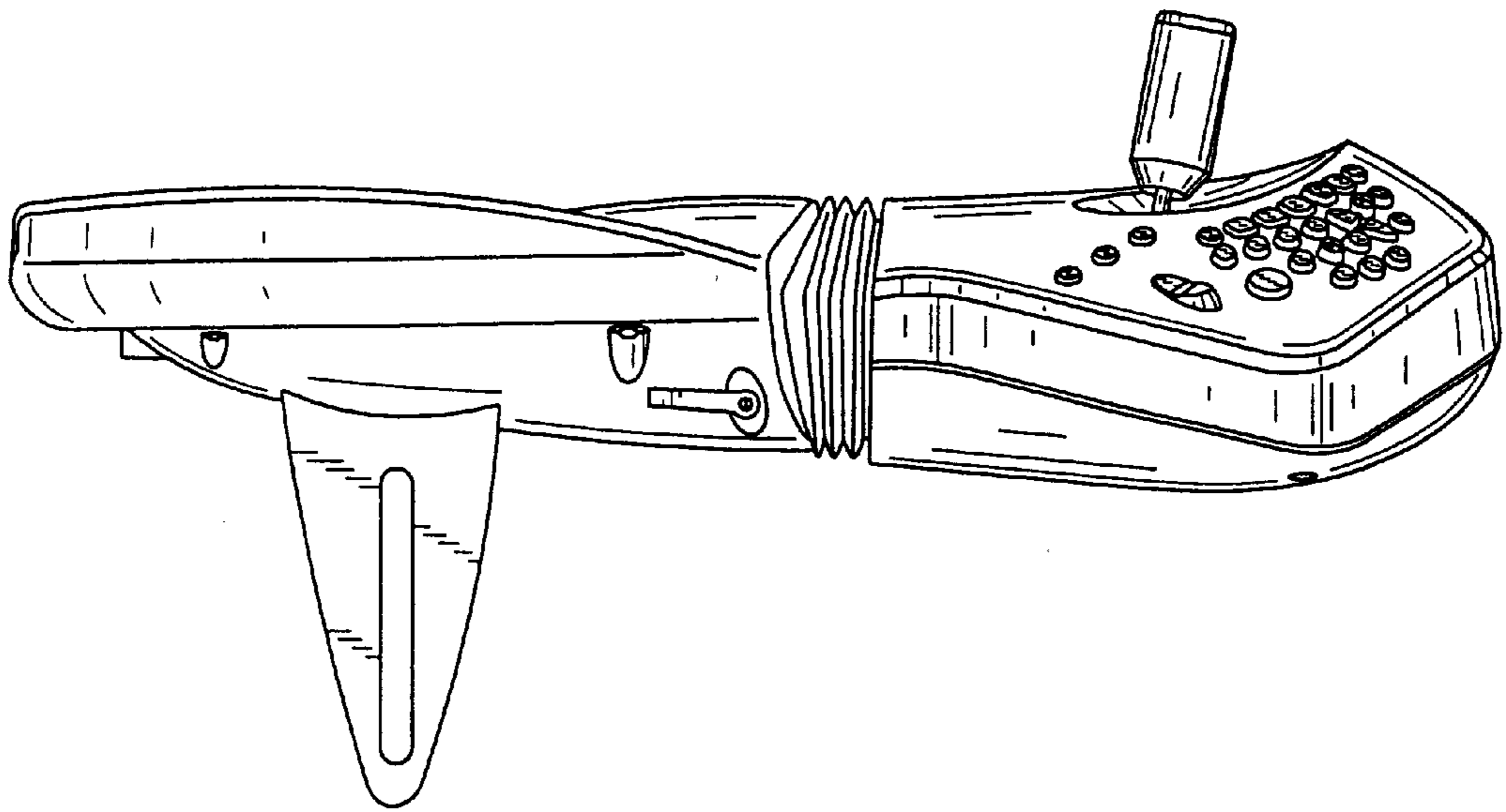


FIG. 6

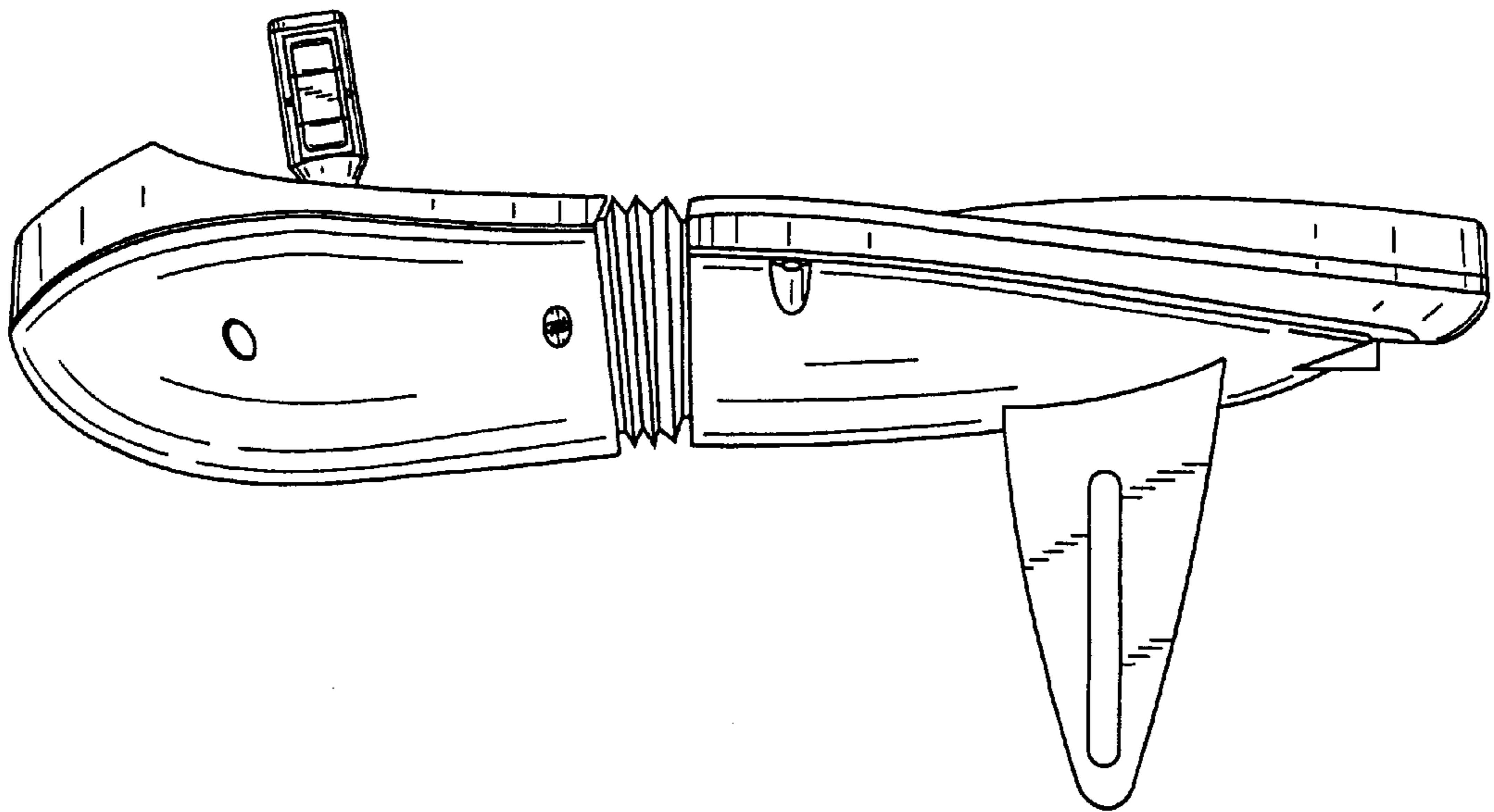


FIG. 7

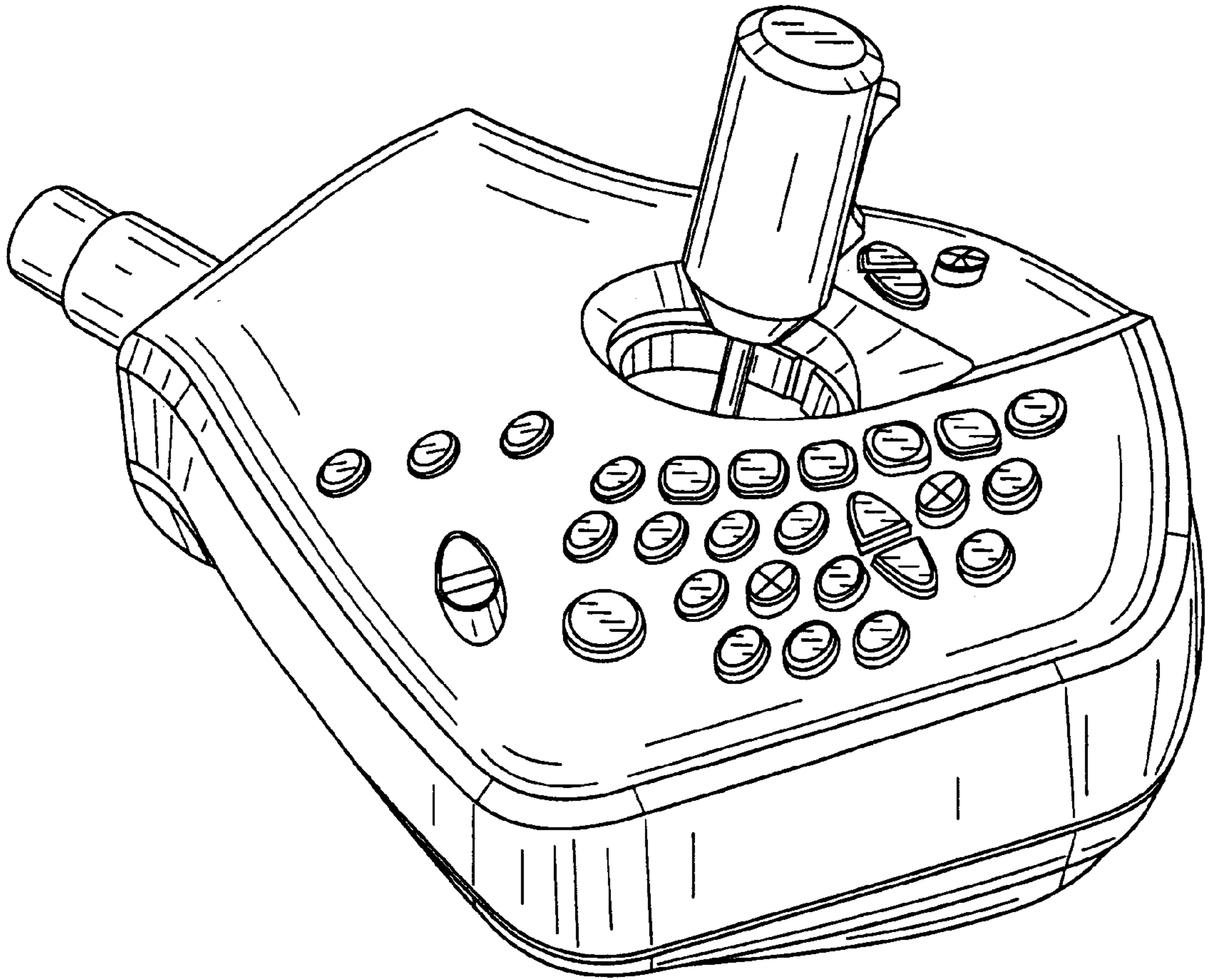


FIG. 8

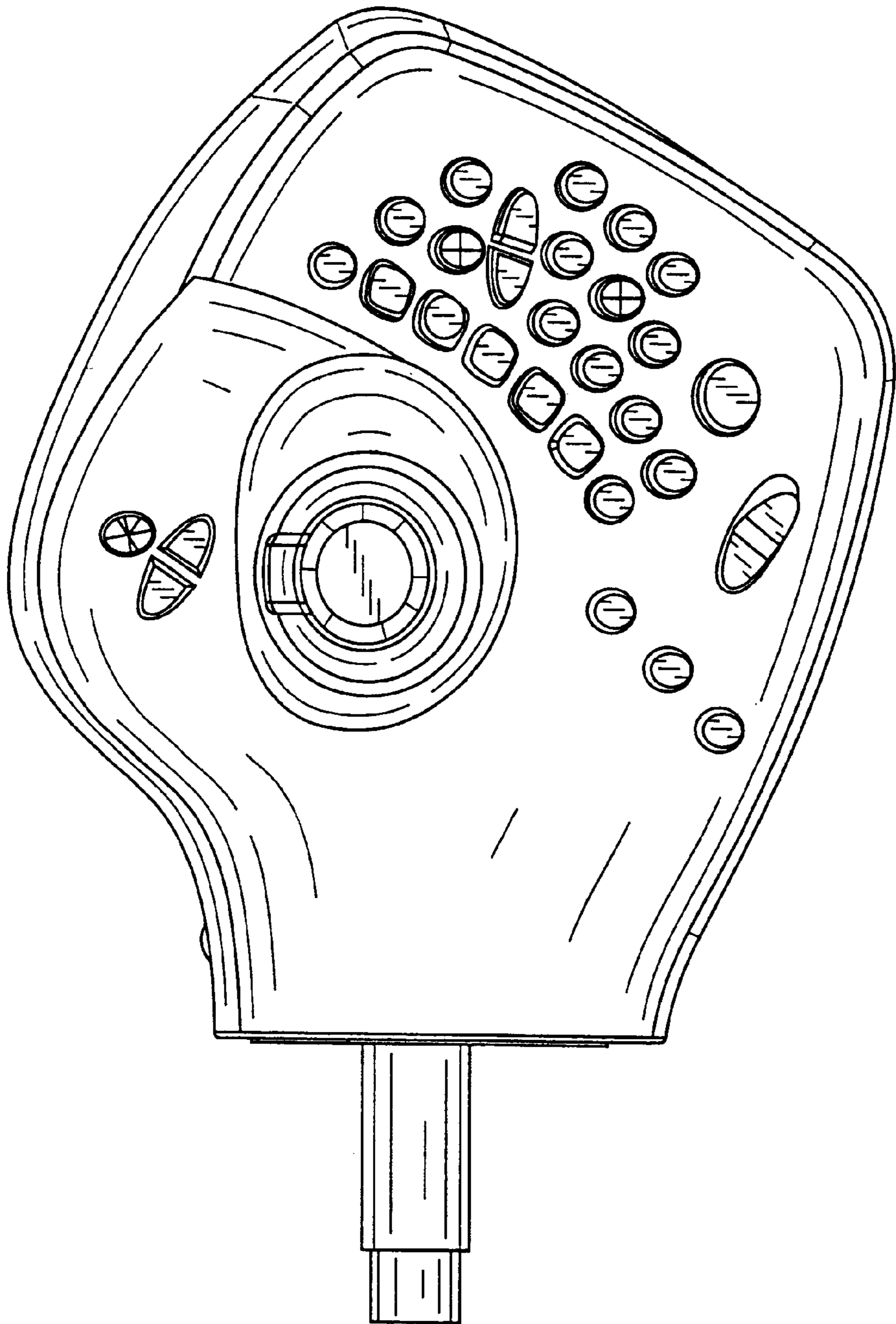


FIG. 9

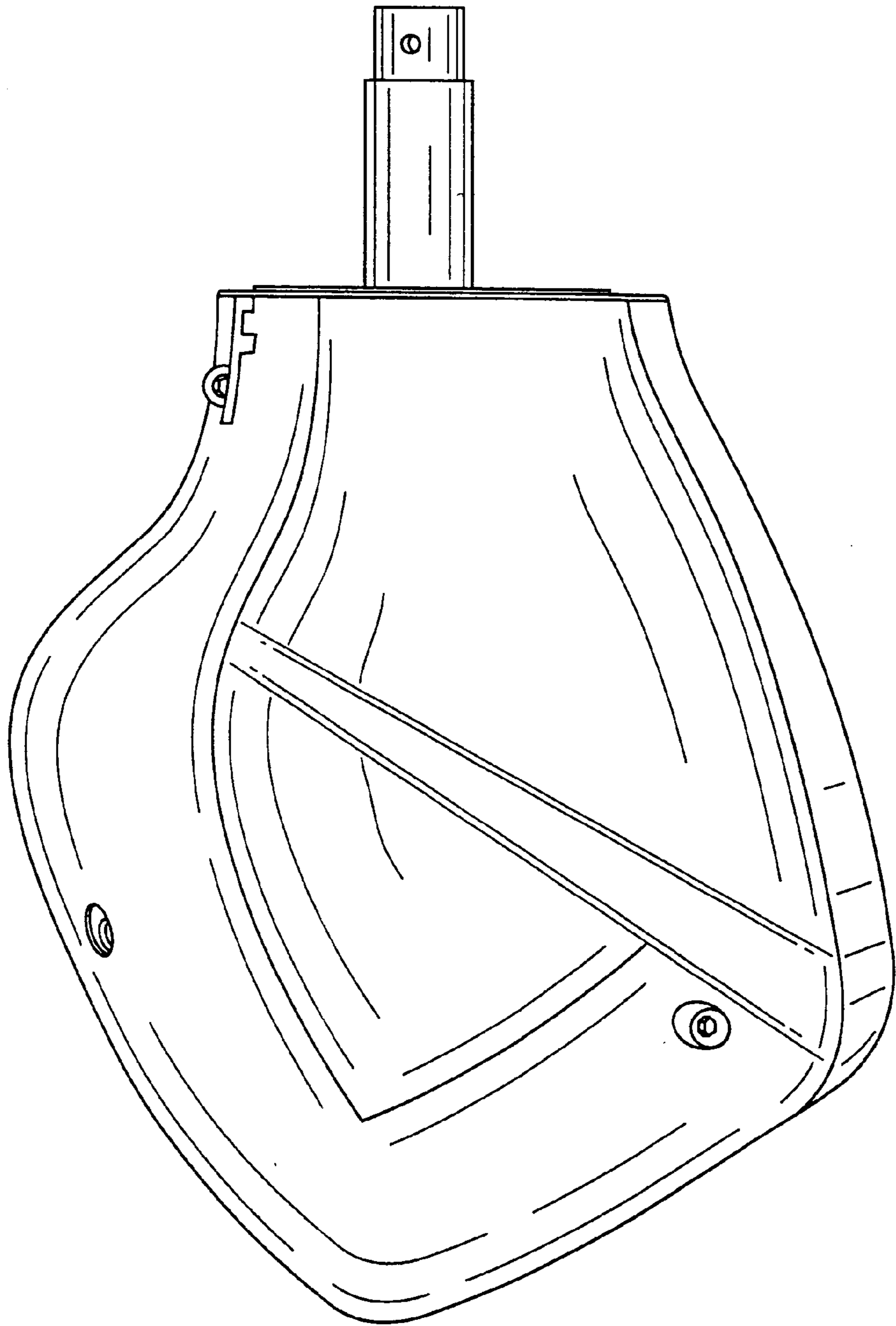


FIG. 10

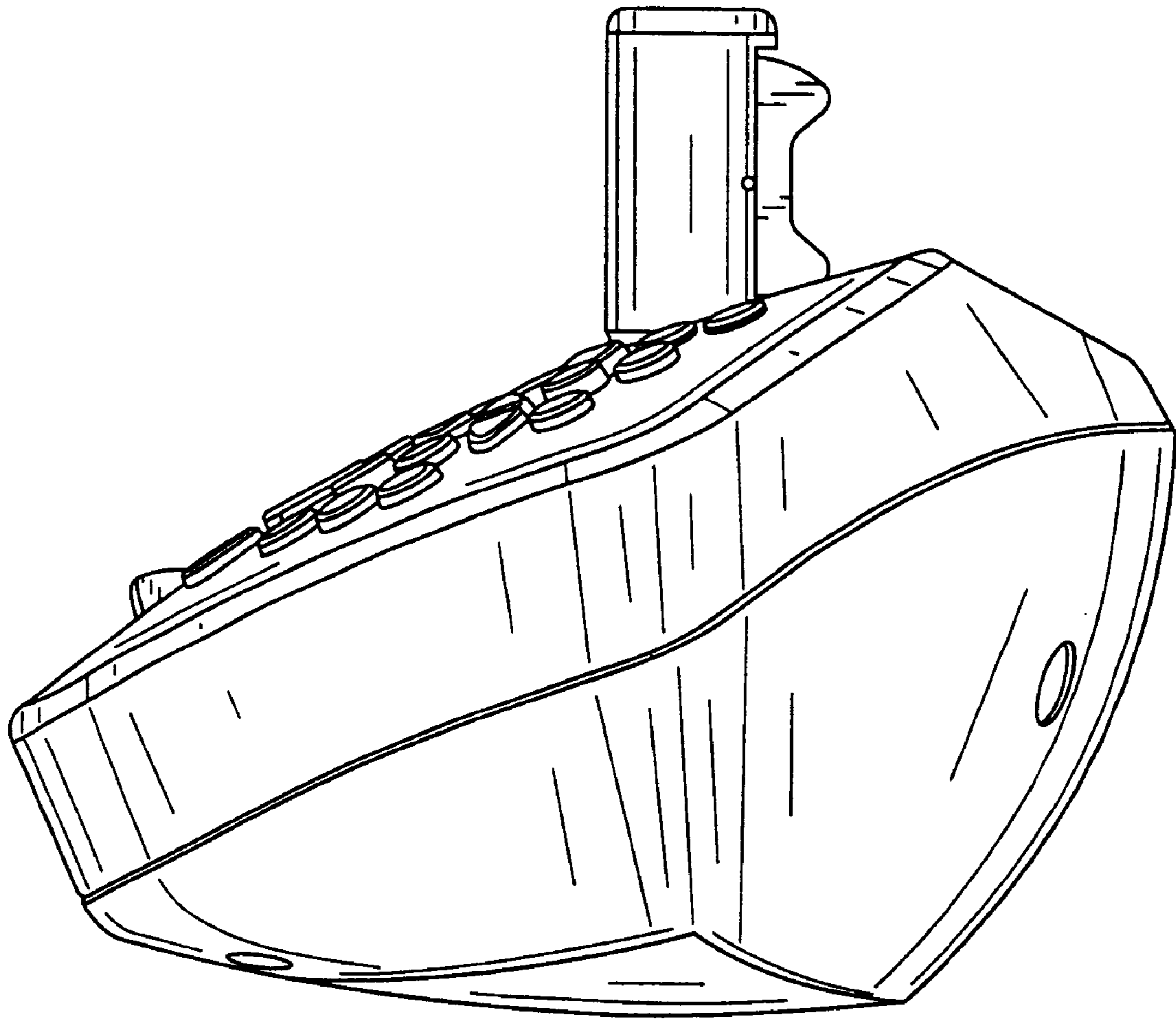


FIG. 11

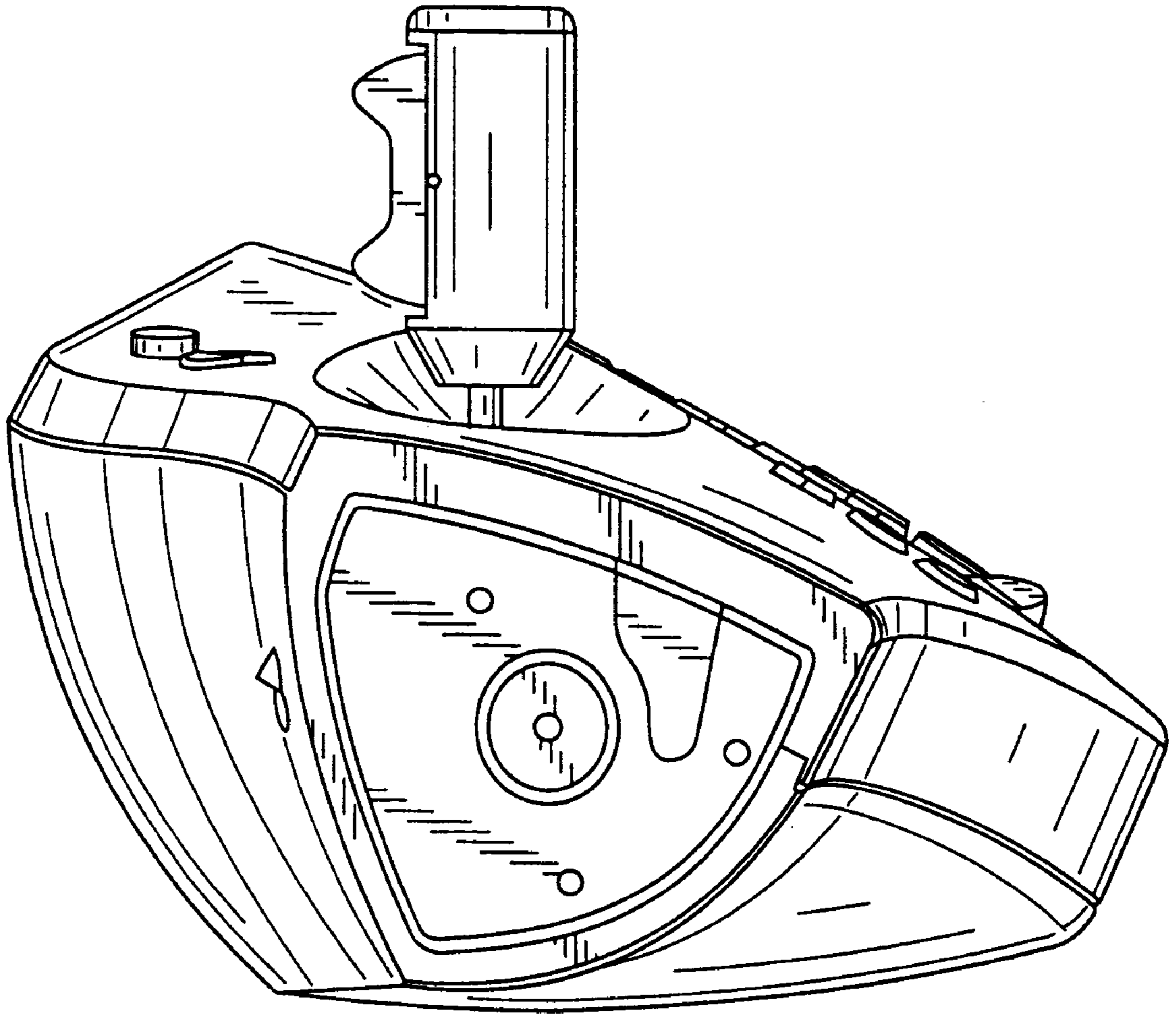


FIG. 12

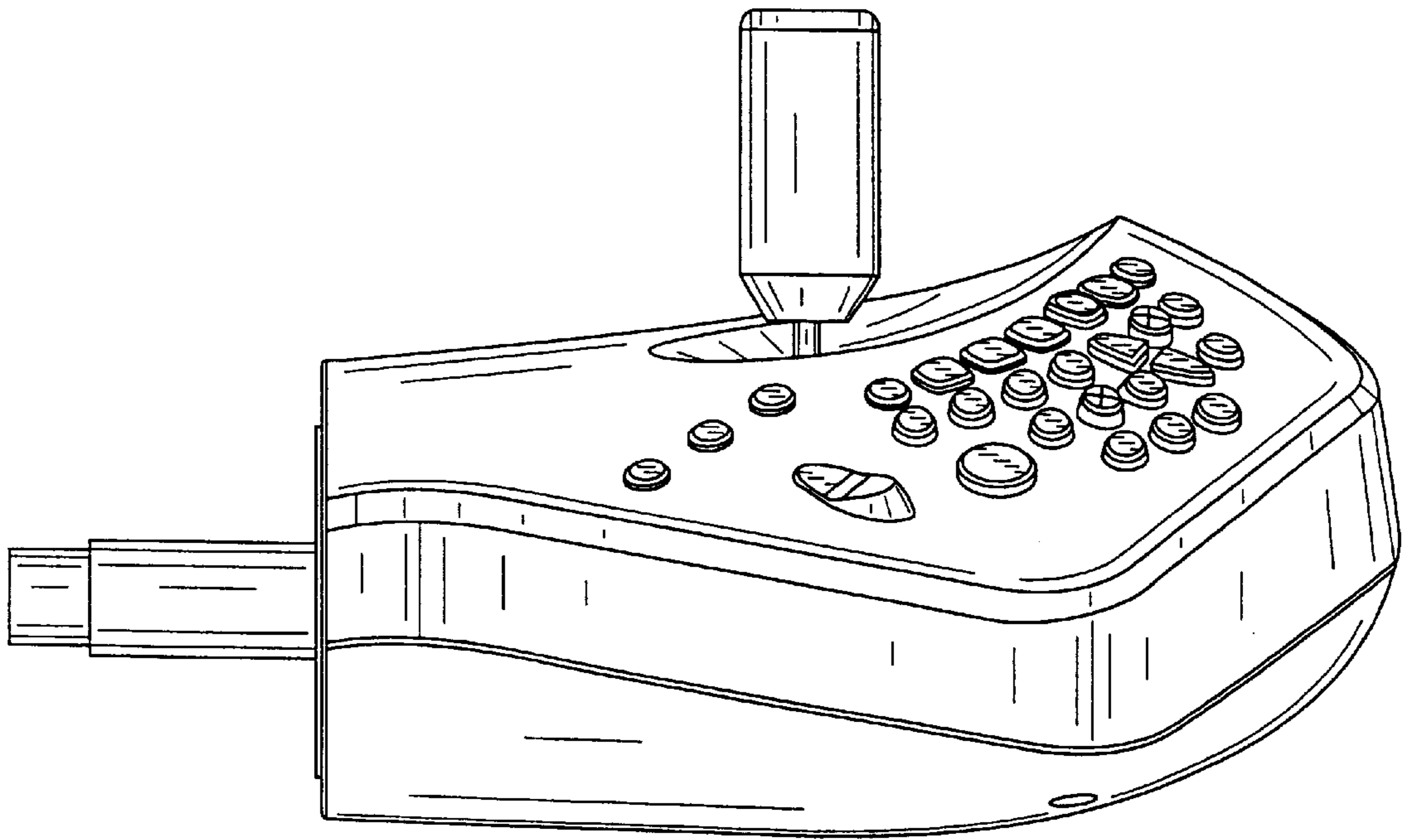


FIG. 13

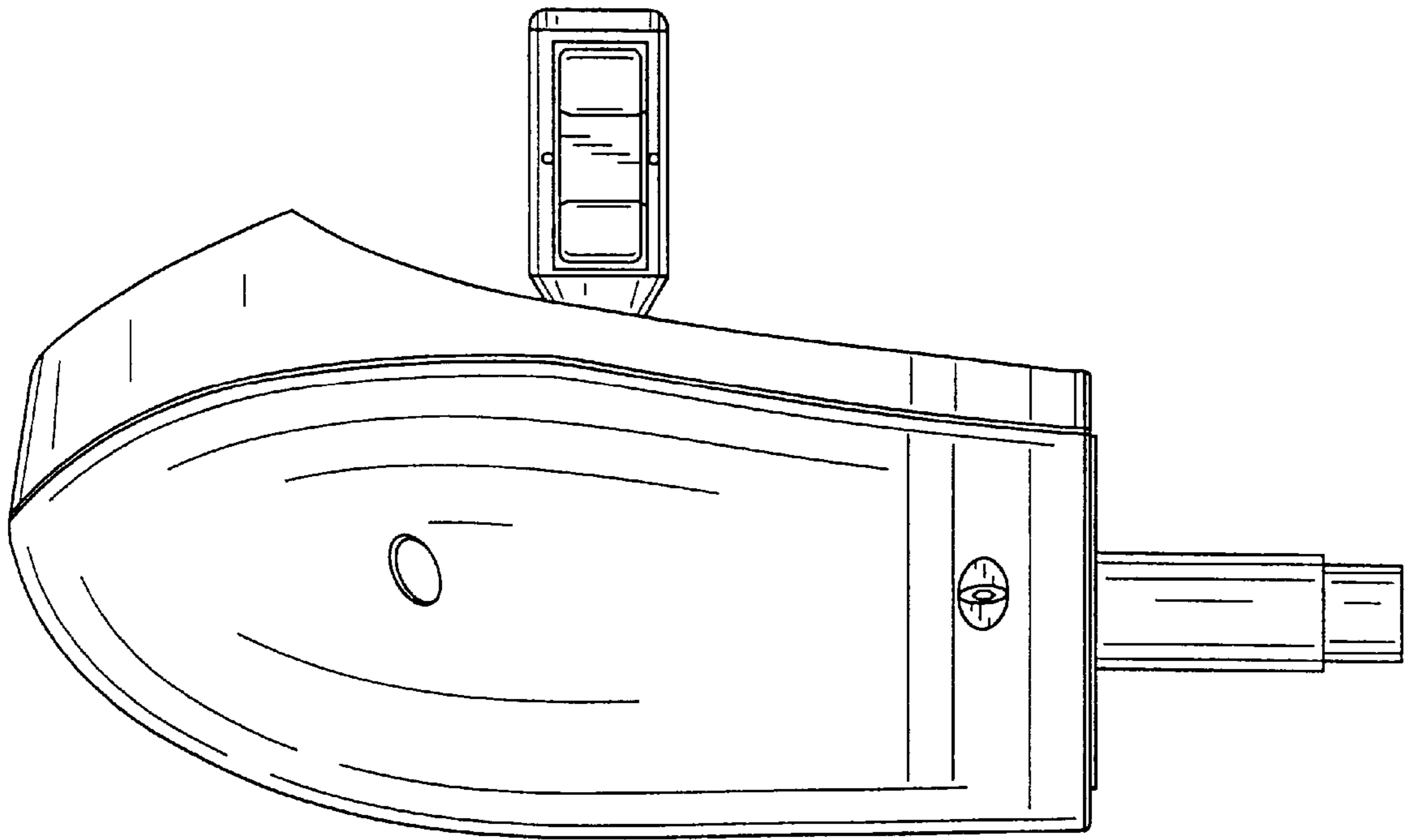


FIG. 14

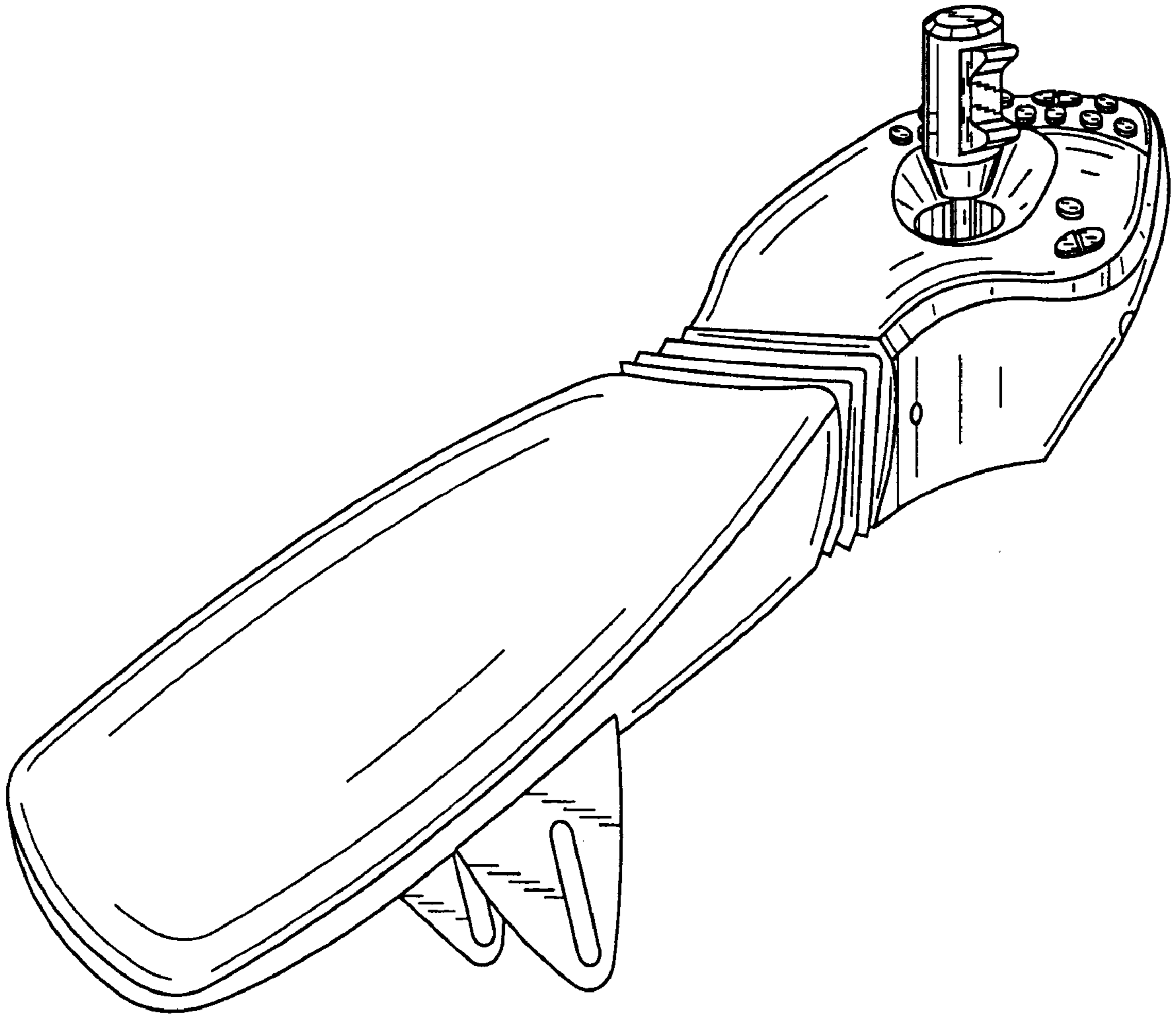


FIG. 15

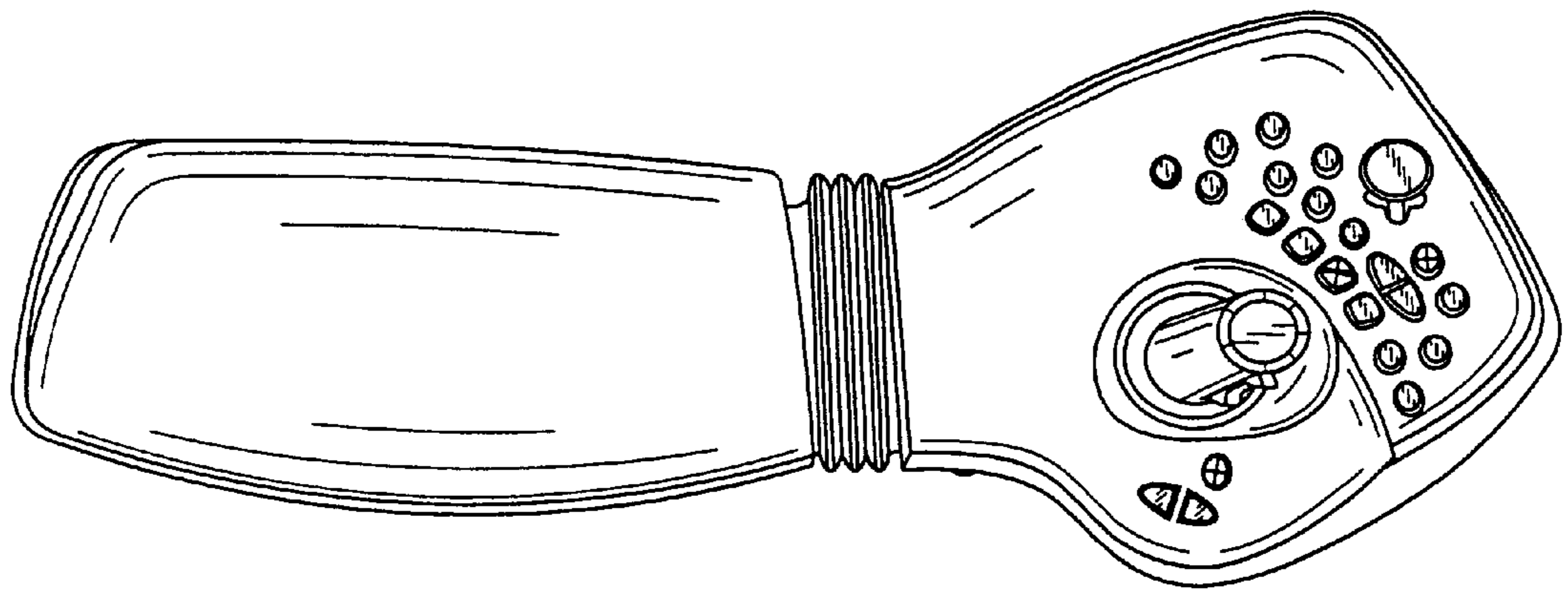


FIG. 16

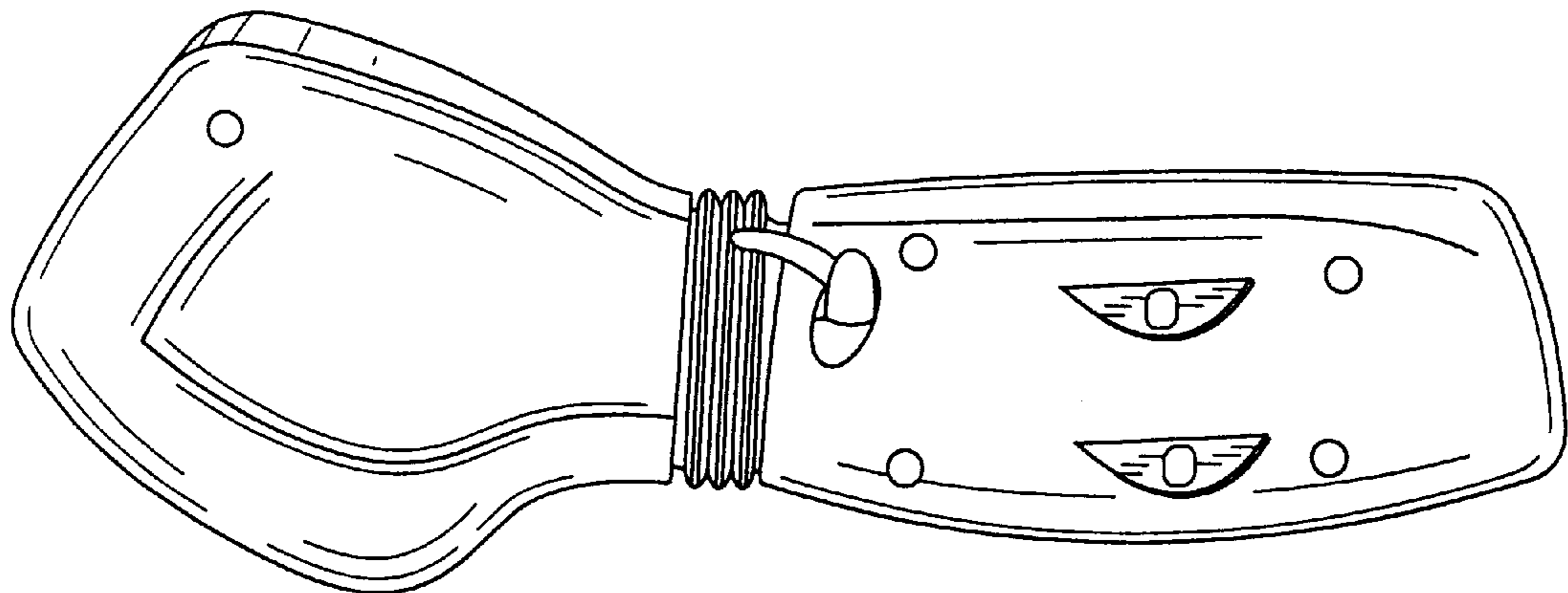


FIG. 17

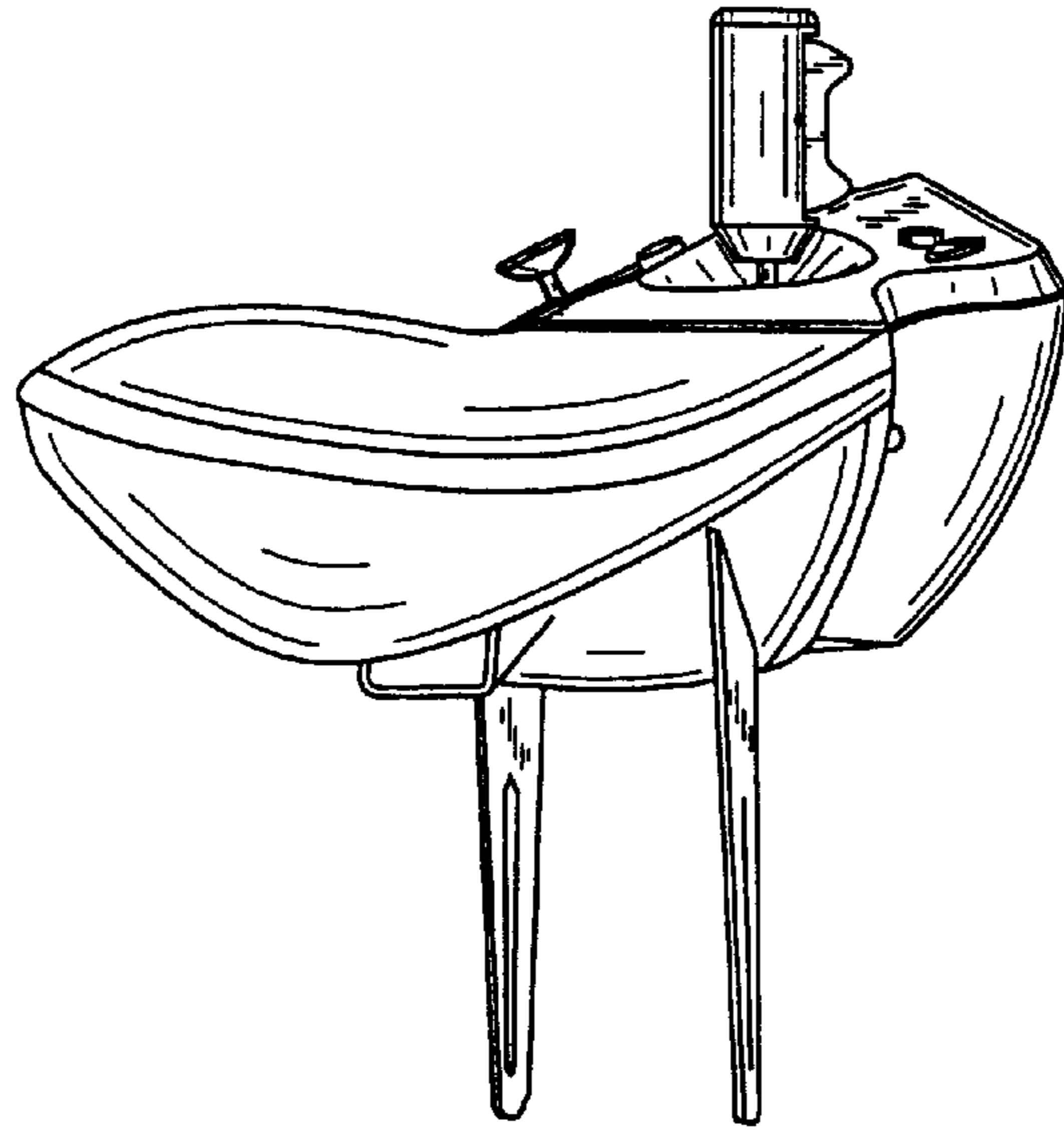


FIG. 18

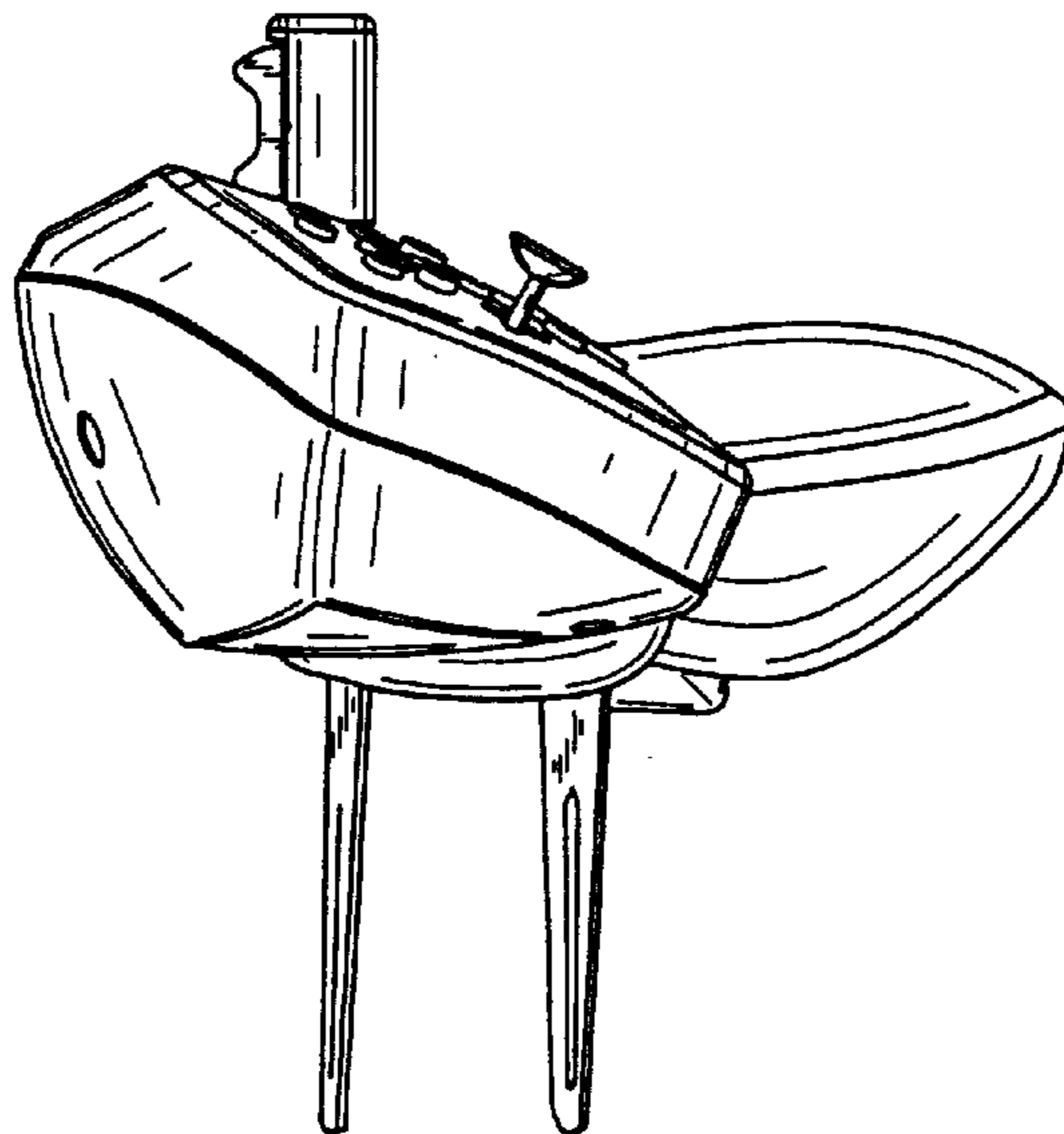


FIG. 19

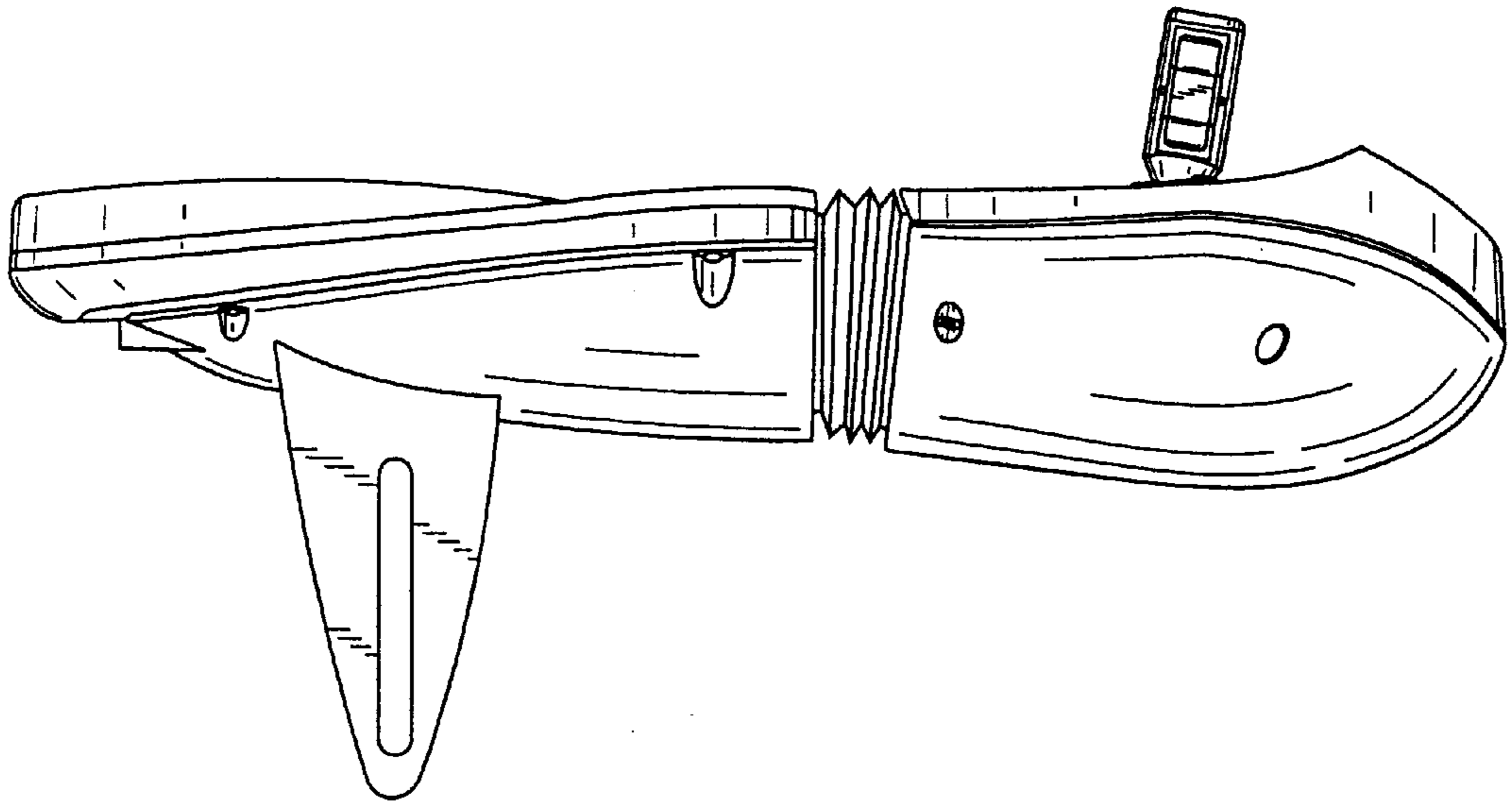


FIG. 20

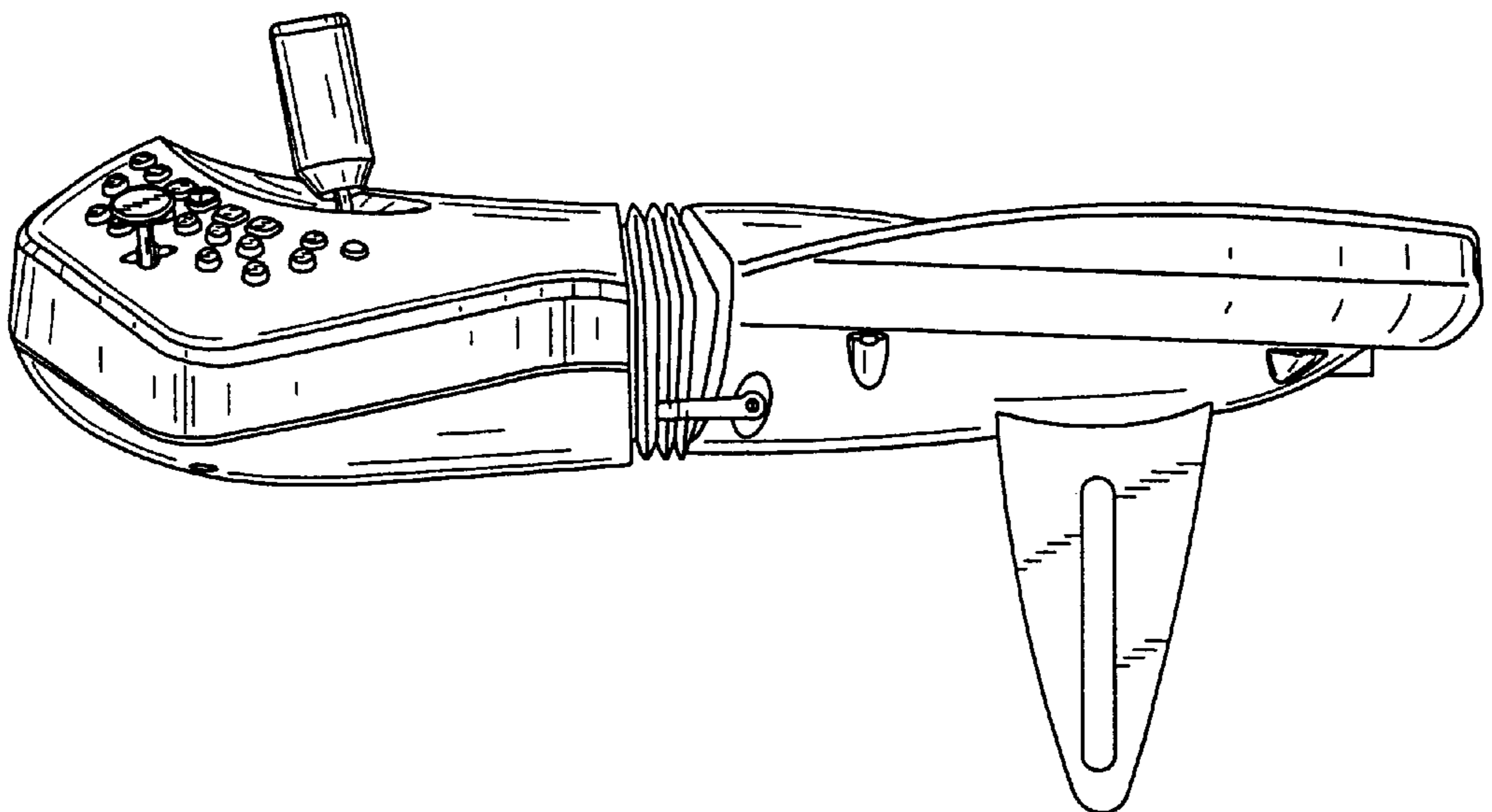


FIG. 21

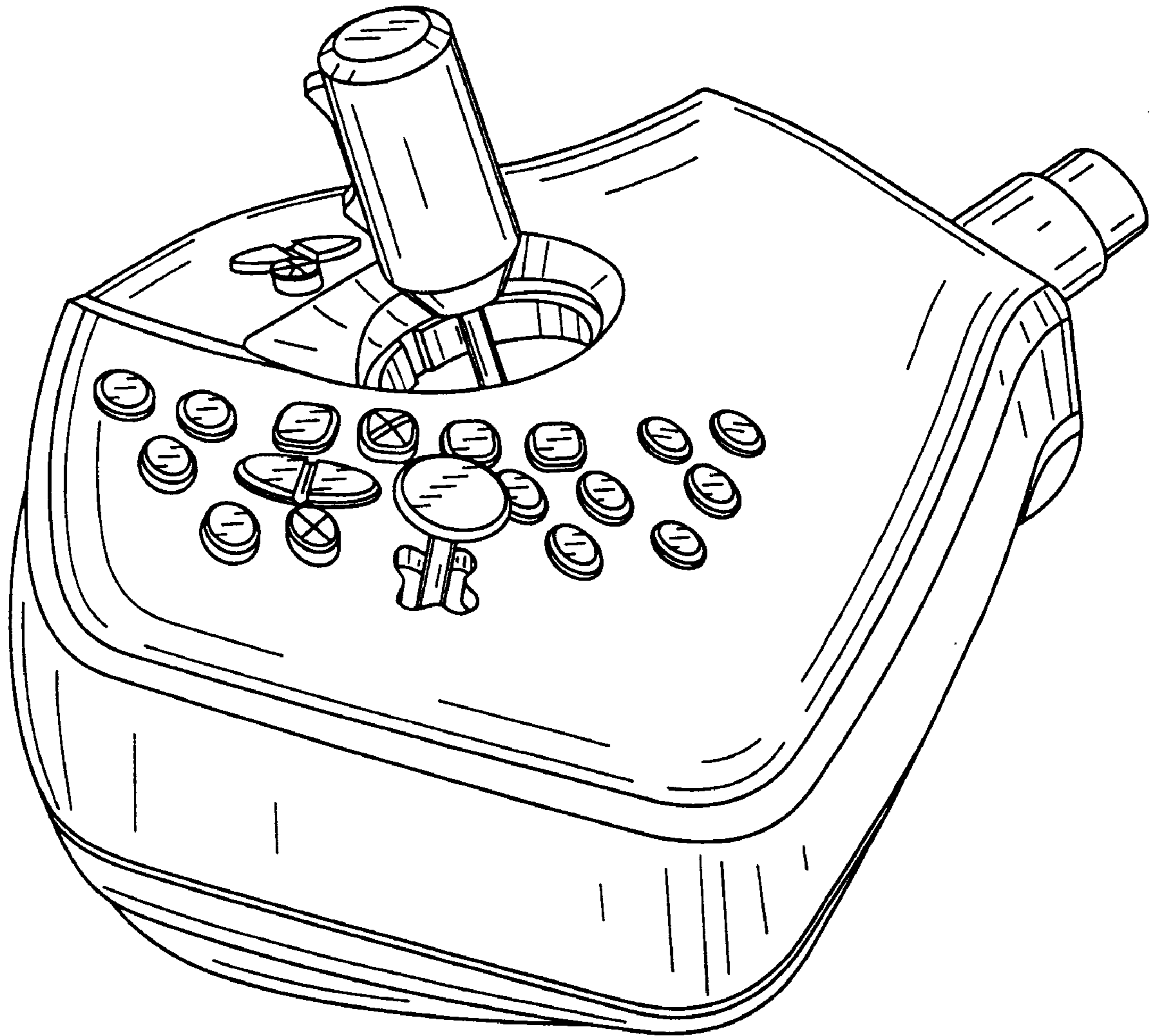


FIG. 22

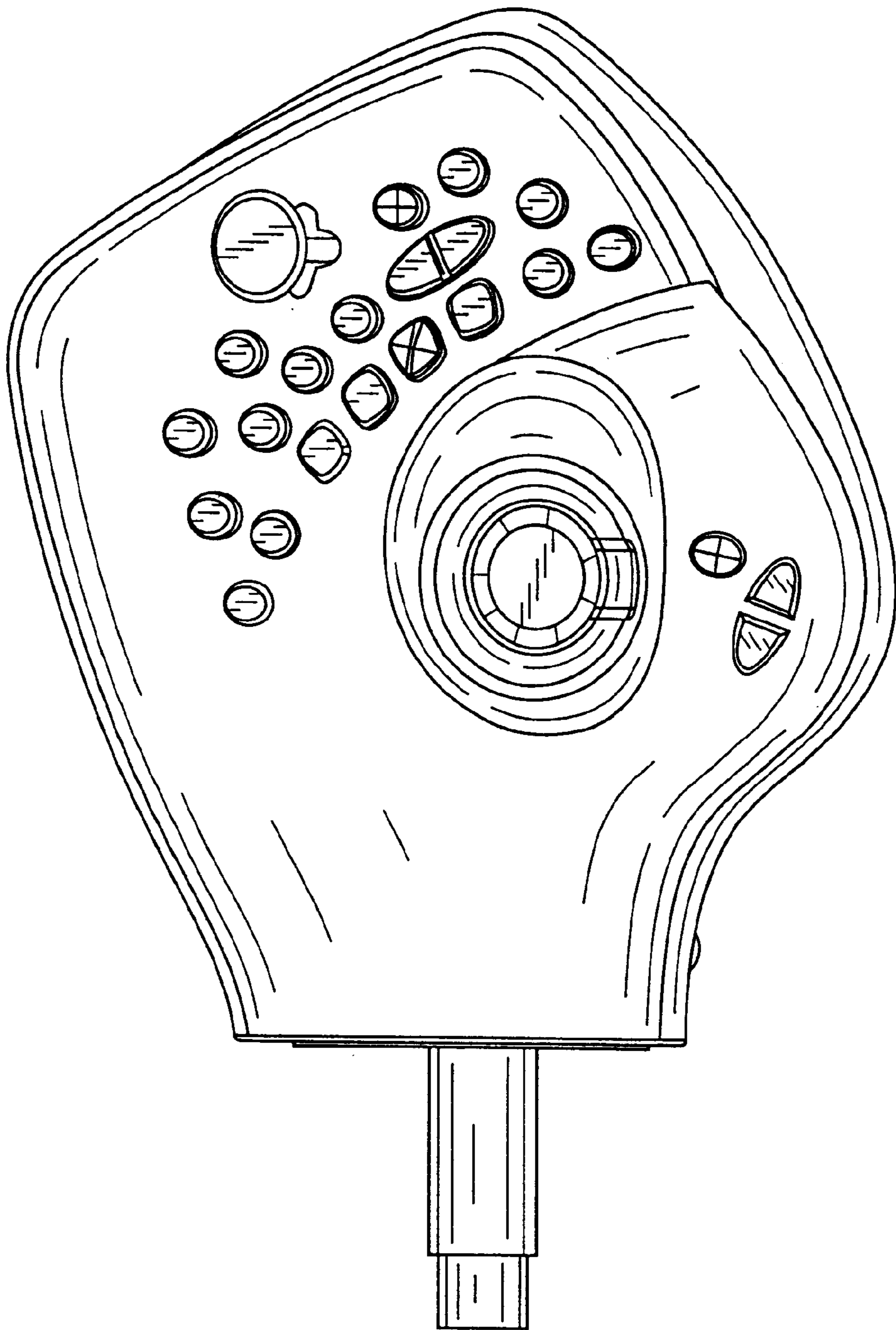


FIG. 23

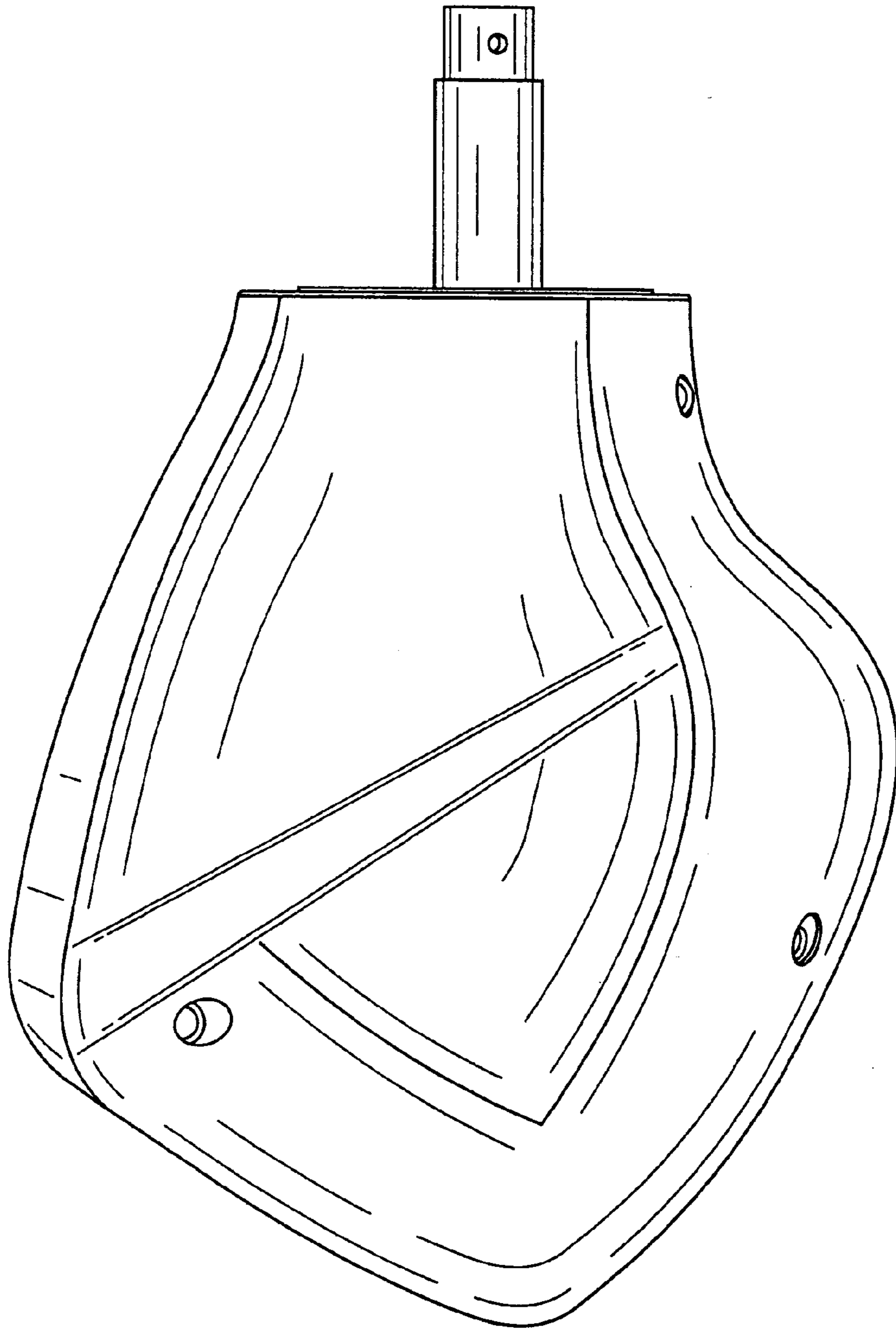


FIG. 24

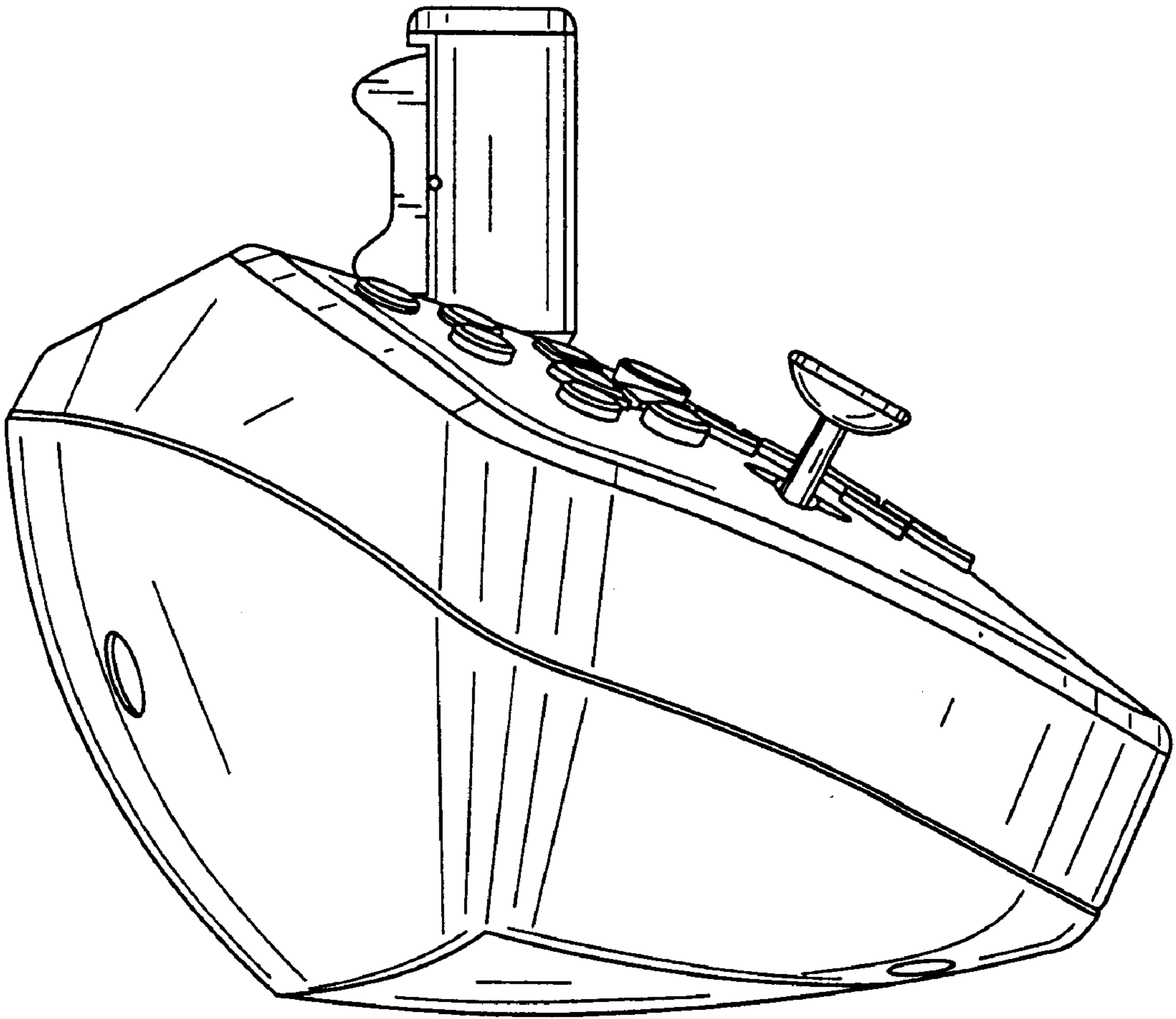


FIG. 25

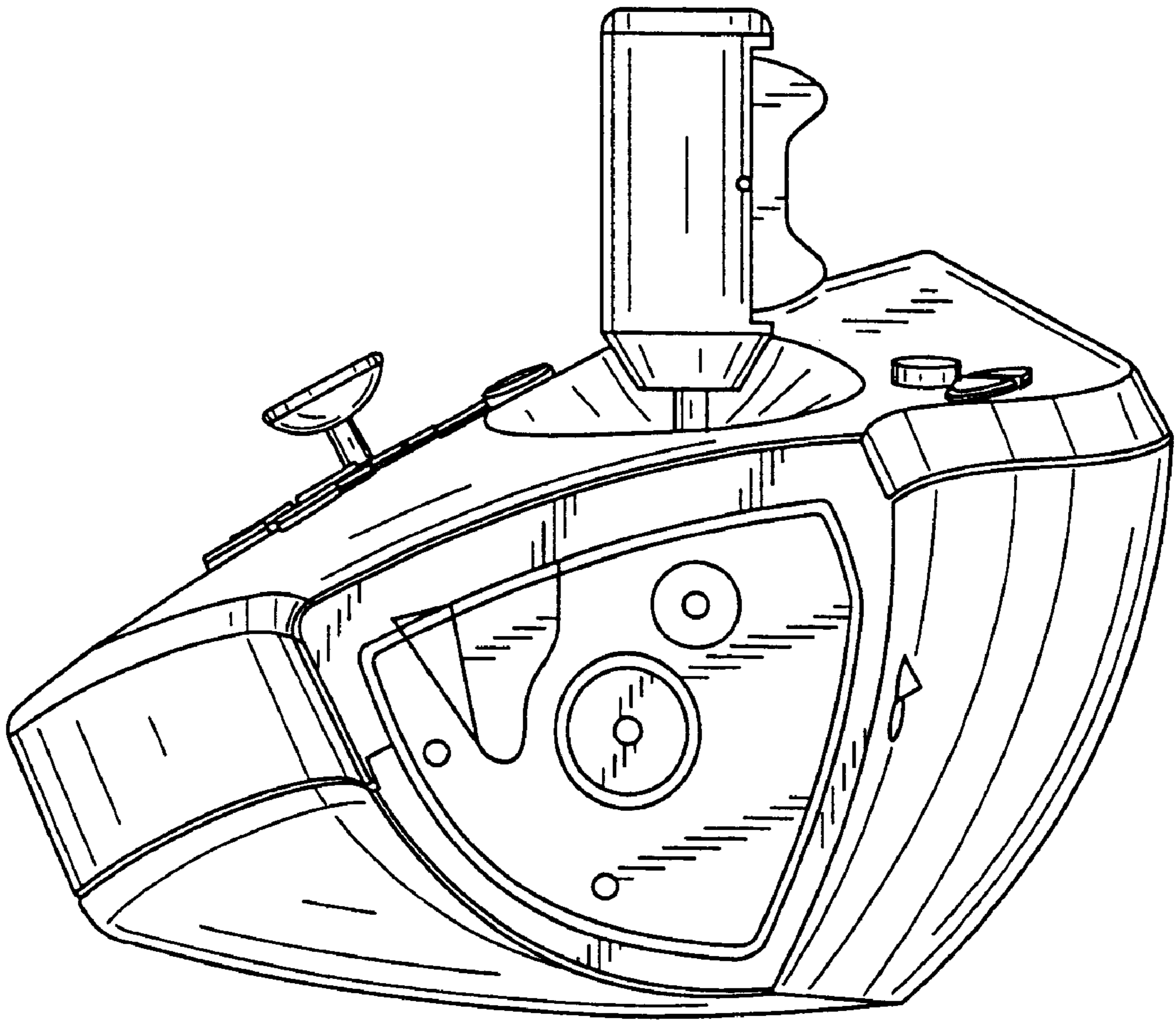


FIG. 26

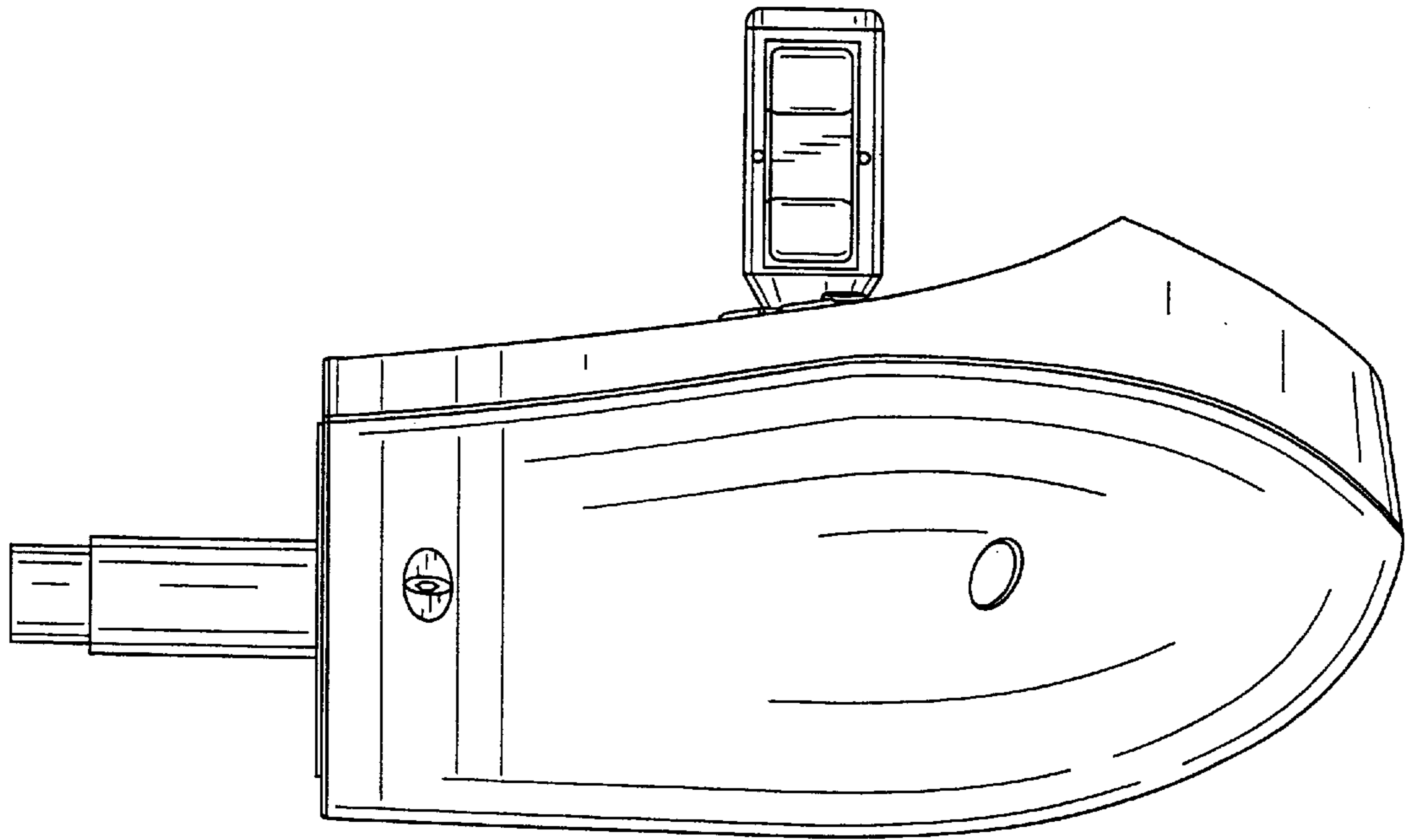


FIG. 27

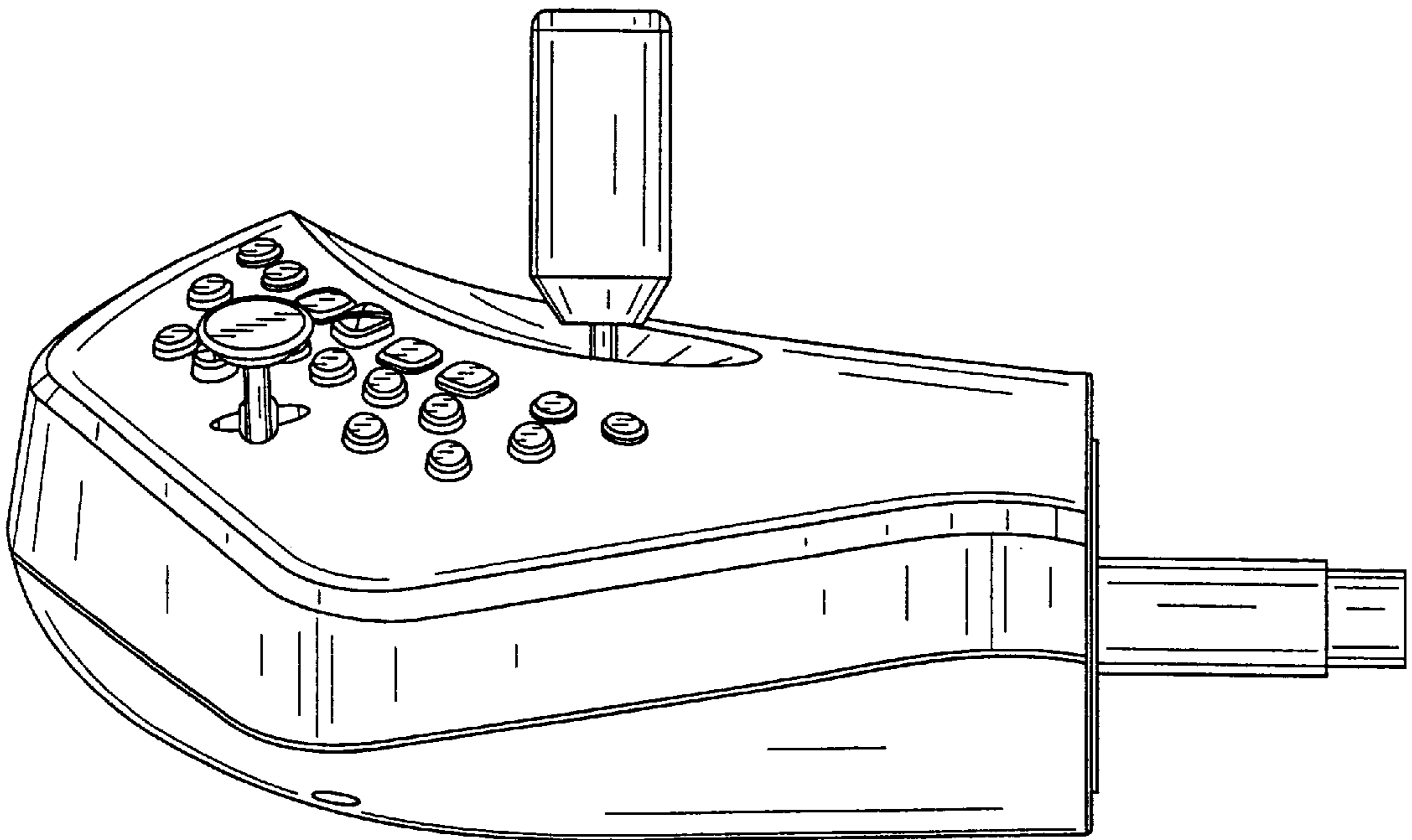


FIG. 28