



US00D429242S

# United States Patent [19] Sun

[11] Patent Number: Des. 429,242

[45] Date of Patent: \*\* Aug. 8, 2000

[54] DESKTOP CRADLE

[75] Inventor: Yeo Chung Sun, Singapore, Singapore

[73] Assignee: Telefonaktiebolaget LM Ericsson,  
Stockholm, Sweden

[\*\*] Term: 14 Years

[21] Appl. No.: 29/105,575

[22] Filed: May 26, 1999

### [30] Foreign Application Priority Data

Nov. 26, 1998 [SE] Sweden ..... 98-2336

[51] LOC (7) Cl. .... 14-03

[52] U.S. Cl. .... D14/253

[58] Field of Search ..... D14/137, 138,  
D14/148, 147, 149-151, 140-142, 240,  
241, 251, 253; 379/433-436, 419, 420,  
428, 440, 454, 455, 446, 447; D13/107,  
108; 320/110, 113, 114, 115

### [56] References Cited

#### U.S. PATENT DOCUMENTS

D. 279,185 6/1985 Felix et al. .... D14/251  
D. 321,855 11/1991 Ross, Jr. .... D13/107  
D. 323,504 1/1992 Langton ..... D14/142

D. 362,004 9/1995 Nakano et al. .... D14/142  
D. 363,284 10/1995 Solomita ..... D14/149  
D. 365,824 1/1996 Danielson et al. .... D14/253  
D. 374,014 9/1996 Nagele et al. .... D14/253  
D. 377,798 2/1997 Heine ..... D14/253  
D. 385,283 10/1997 Snyder et al. .... D14/253  
D. 409,170 5/1999 Ota et al. .... D14/114  
D. 410,945 6/1999 Chu ..... D18/2  
D. 417,189 11/1999 Amero, Jr. et al. .... D13/107  
6,014,010 1/2000 Yao ..... 320/110

Primary Examiner—Jeffrey Asch  
Attorney, Agent, or Firm—Burns, Doane, Swecker &  
Mathis L.L.P.

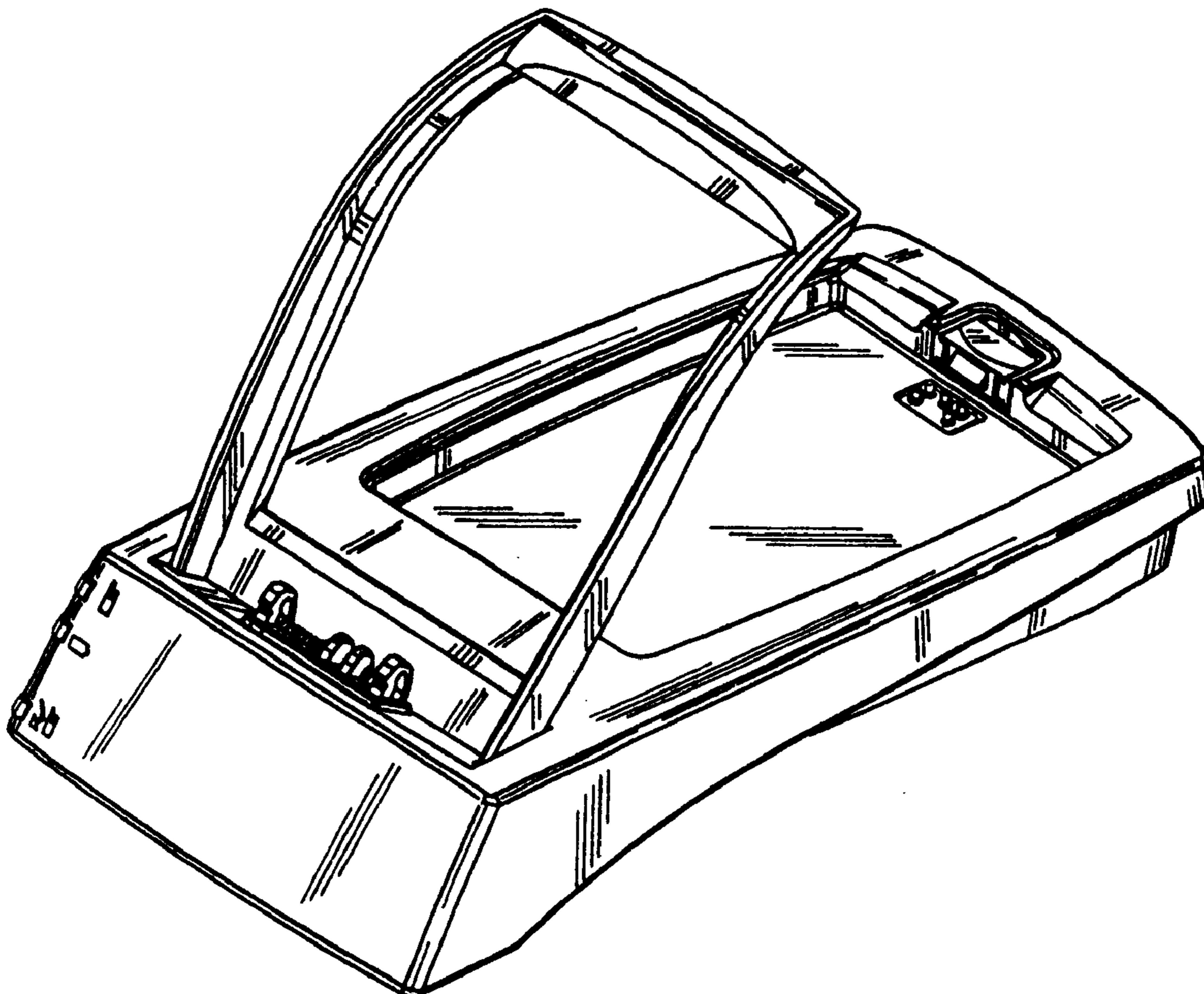
### [57] CLAIM

The ornamental design for a desktop cradle, as shown and described.

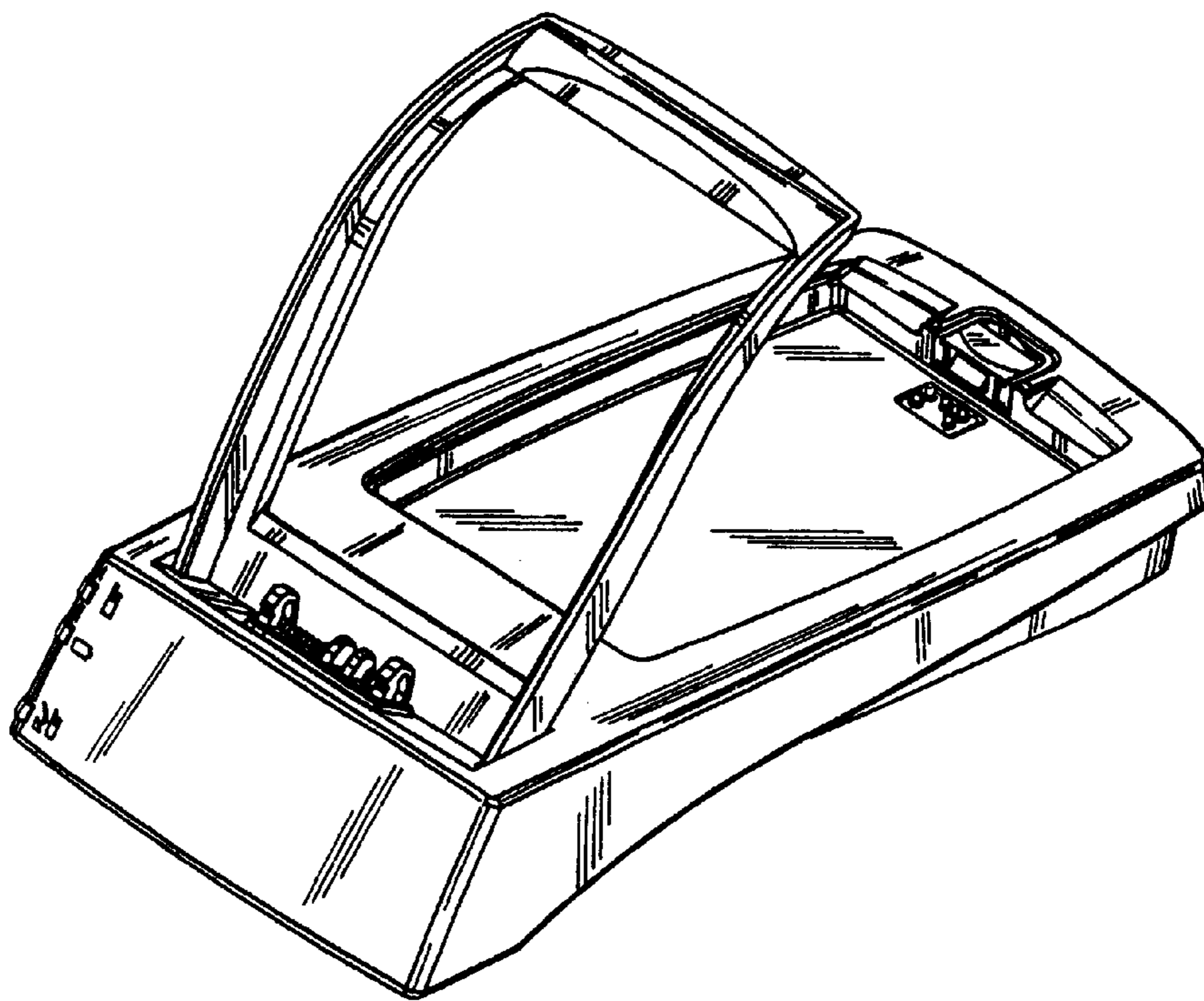
### DESCRIPTION

FIG. 1 is a front perspective view of a desktop cradle showing my new design;  
FIG. 2 is a rear elevational view thereof;  
FIG. 3 is a front elevational view thereof;  
FIG. 4 is a top plan view thereof;  
FIG. 5 is a bottom plan view thereof;  
FIG. 6 is a left side elevational view thereof; and,  
FIG. 7 is a right side elevational view thereof.

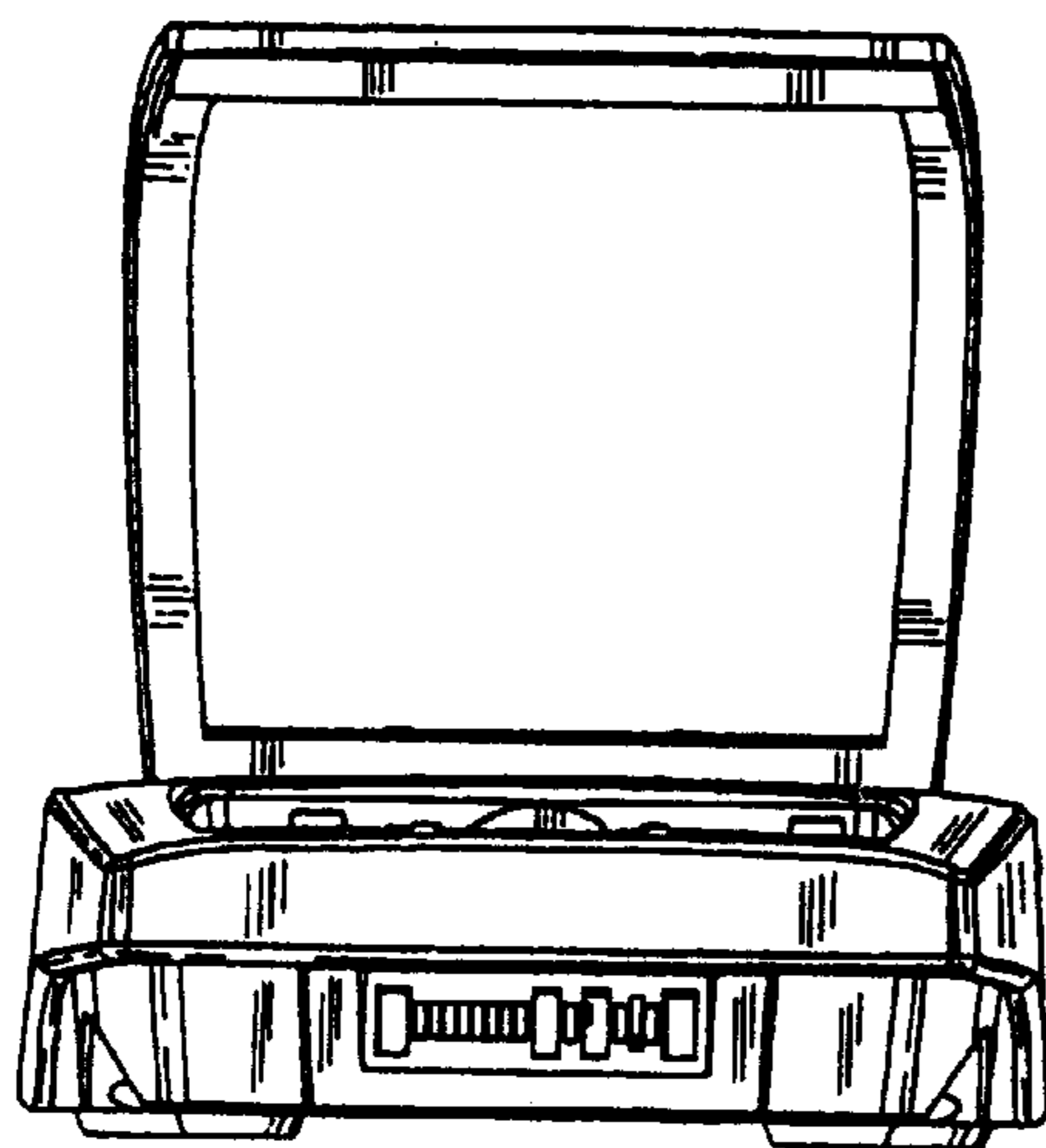
1 Claim, 3 Drawing Sheets



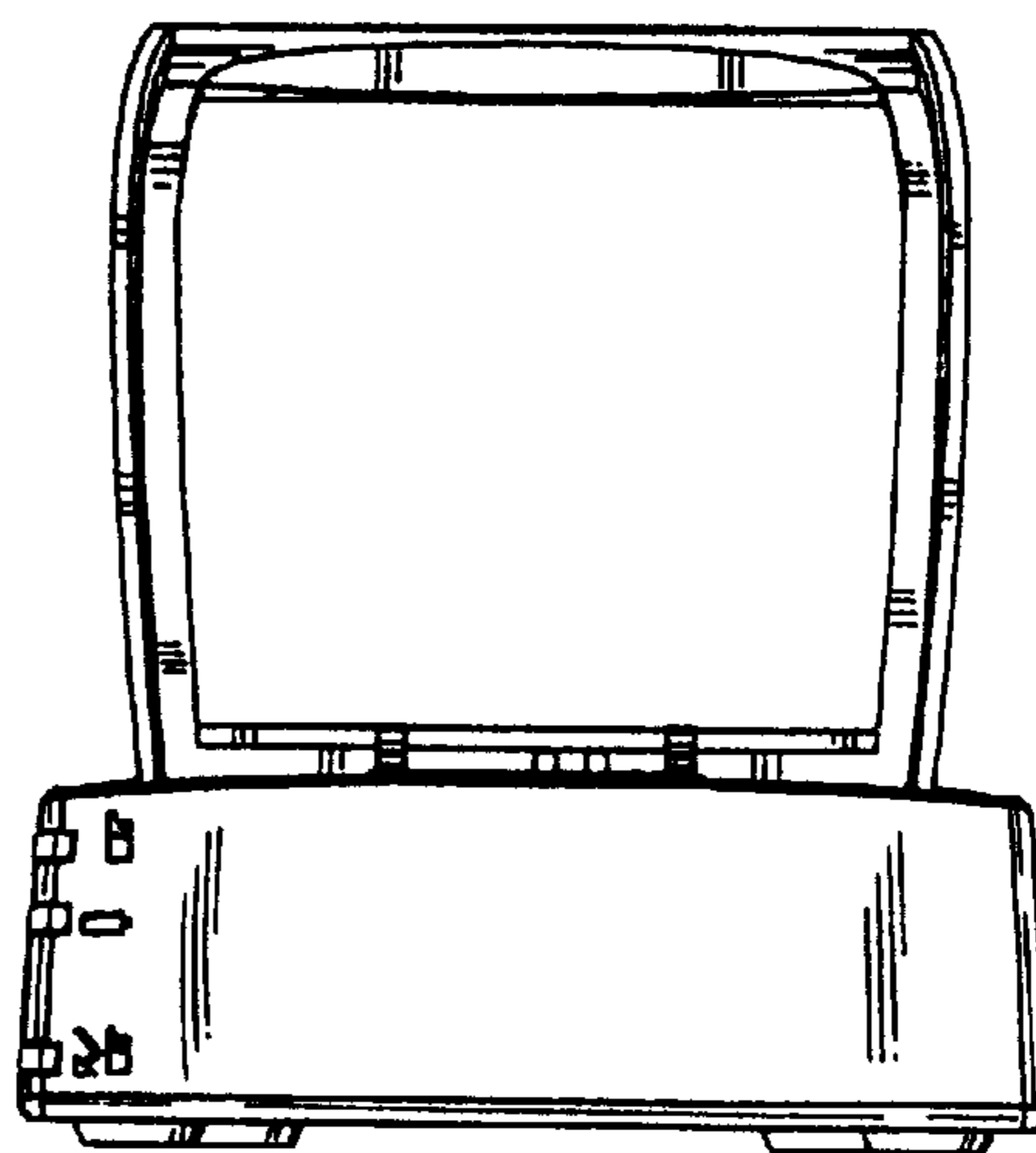
**FIG. 1**

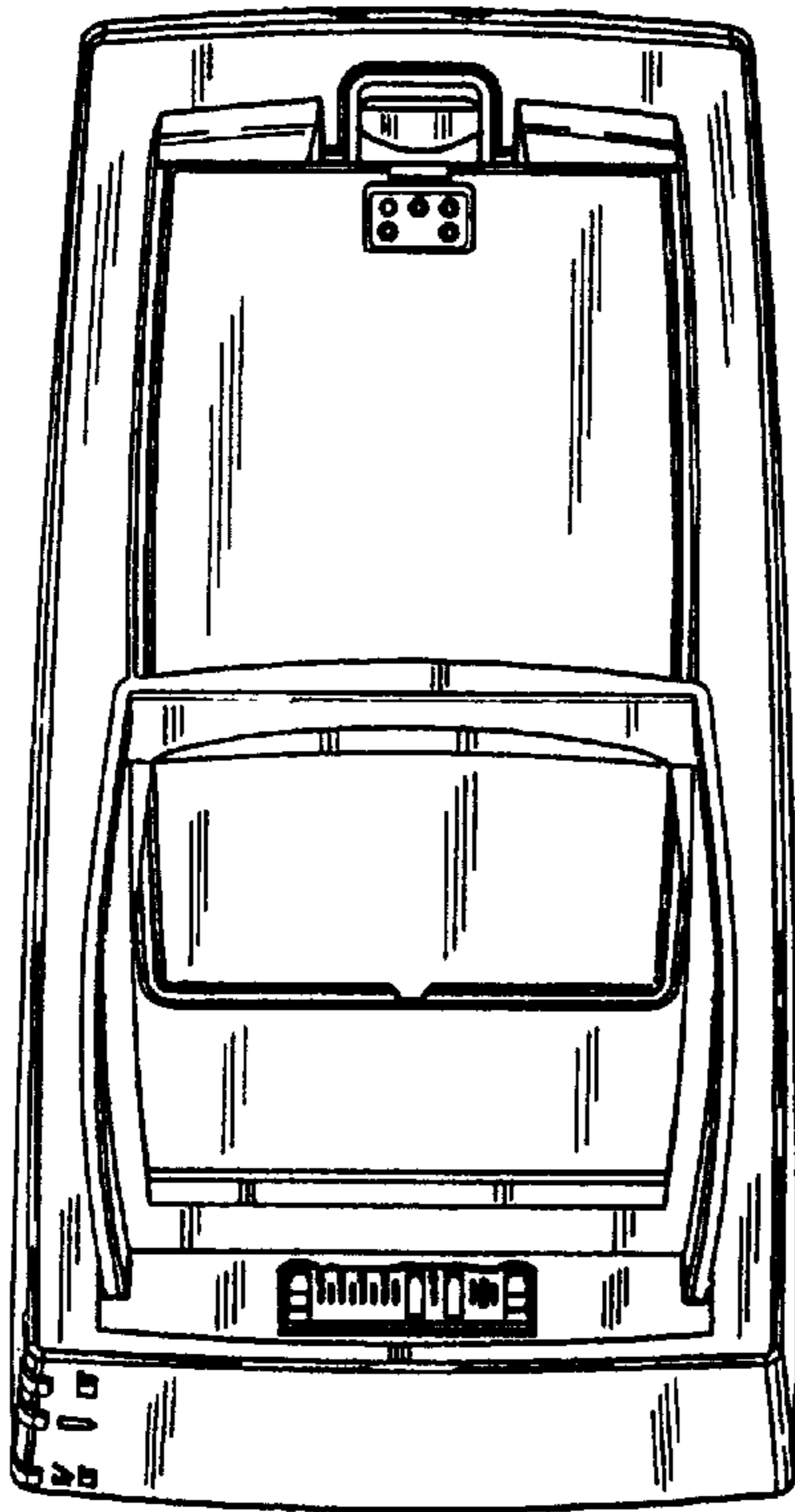


**FIG. 2**



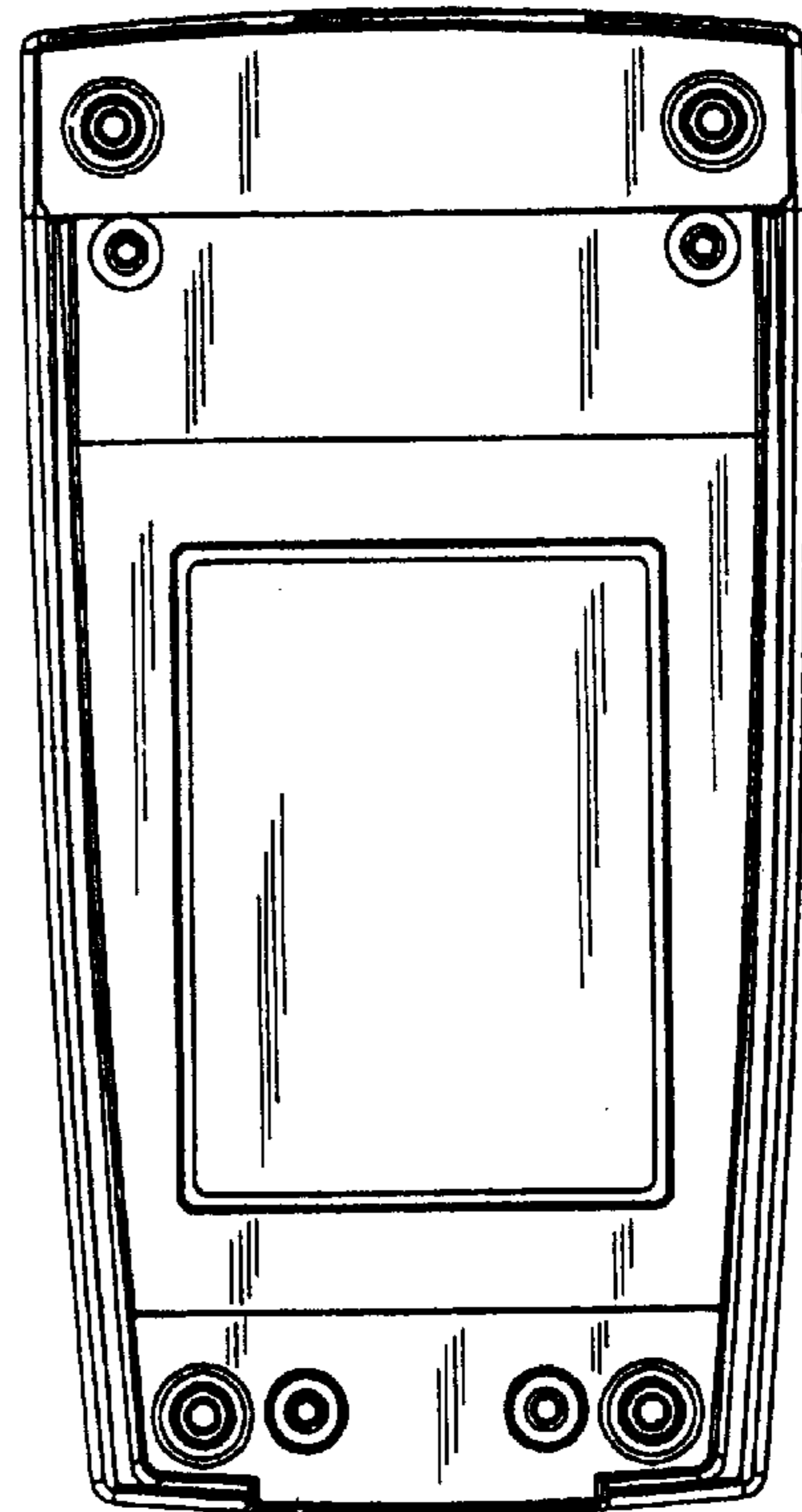
**FIG. 3**



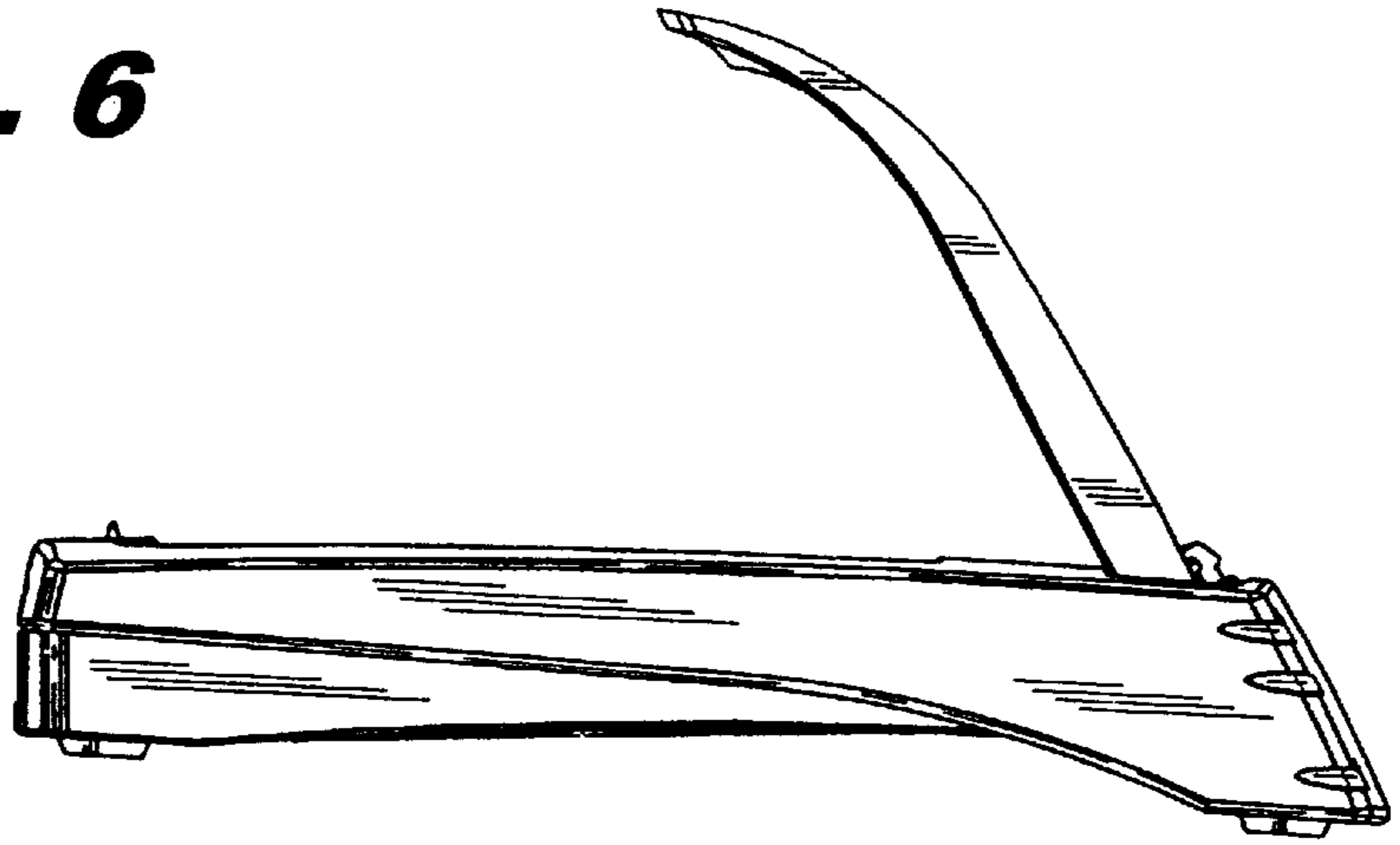


**FIG. 4**

**FIG. 5**



**FIG. 6**



**FIG. 7**

