



US00D429240S

United States Patent [19] Curtis

[11] Patent Number: Des. 429,240

[45] Date of Patent: ** Aug. 8, 2000

[54] **KEYPAD FOR A TELEPHONE HANDSET**

[75] Inventor: **Alastair Curtis**, Woodland Hills, Calif.

[73] Assignee: **Nokia Mobile Phones, Ltd.**, Espoo, Finland

[**] Term: **14 Years**

[21] Appl. No.: **29/109,159**

[22] Filed: **Aug. 9, 1999**

[51] **LOC (7) Cl.** **14-03**

[52] **U.S. Cl.** **D14/247**

[58] **Field of Search** D14/137, 138,
D14/147-148, 247-248, 250, 240, 140-142;
379/433, 434, 368, 419, 420, 428, 440;
435/550-575, 90

3,445,610	5/1969	Lind	379/368
4,243,846	1/1981	Lenaerts et al.	379/368
4,328,399	5/1982	Perks et al.	379/368 X
4,491,692	1/1985	Lee	379/368 X
4,734,679	3/1988	Haskins	379/368 X
5,546,457	8/1996	Tomura et al.	379/368
5,745,566	4/1998	Petrella et al.	379/433
5,848,152	12/1998	Slipy et al.	379/433
5,917,906	6/1999	Thornton	379/433
5,940,015	8/1999	Thornton et al.	379/433 X
5,982,881	11/1999	Mischenko	379/433
6,006,118	12/1999	Stephenson	455/575
6,026,283	2/2000	Stephenson	455/90

Primary Examiner—Jeffrey Asch
Attorney, Agent, or Firm—Perman & Green, LLP

[57] CLAIM

The ornamental design for a keypad for a telephone handset, as shown and described.

DESCRIPTION

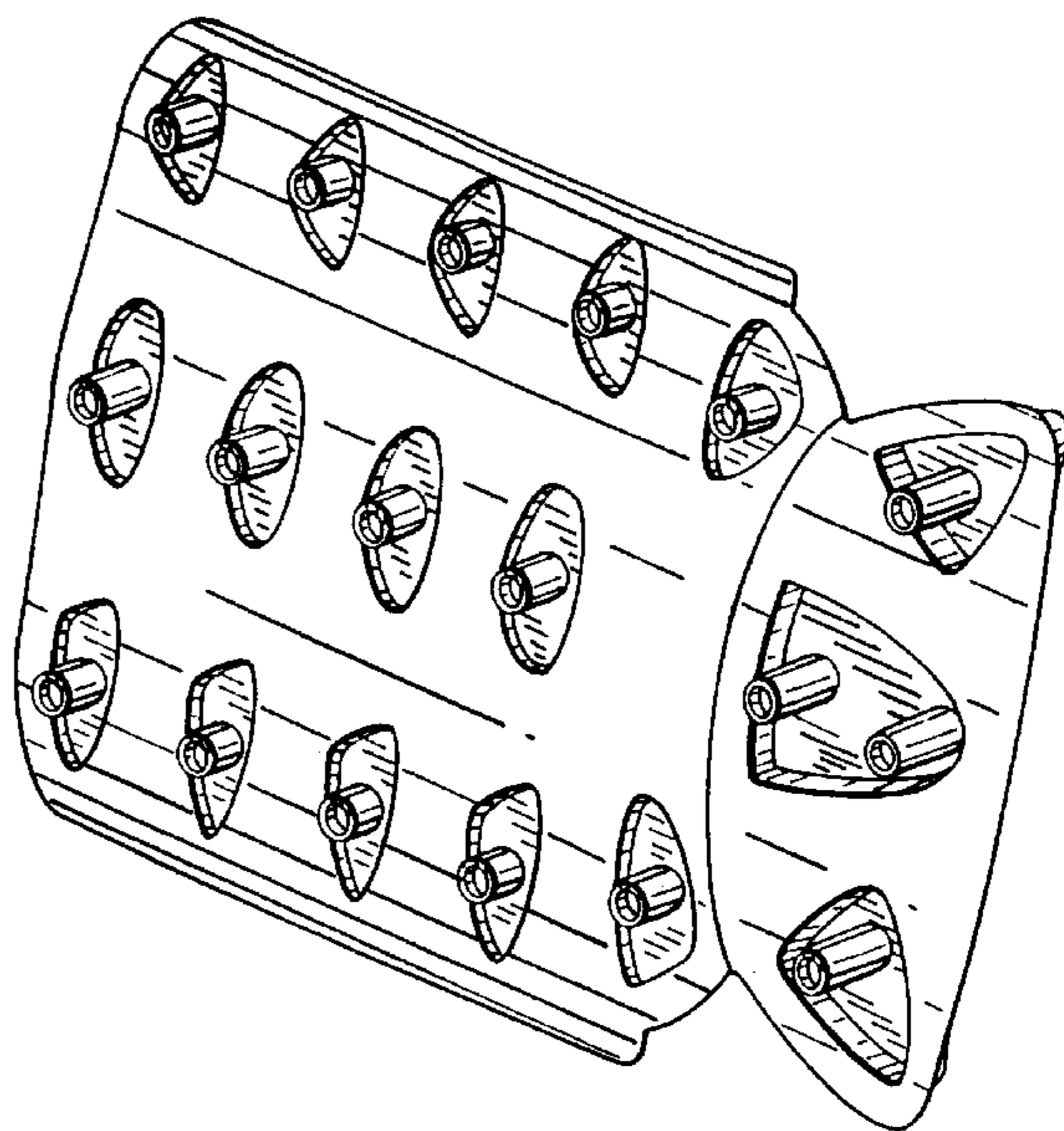
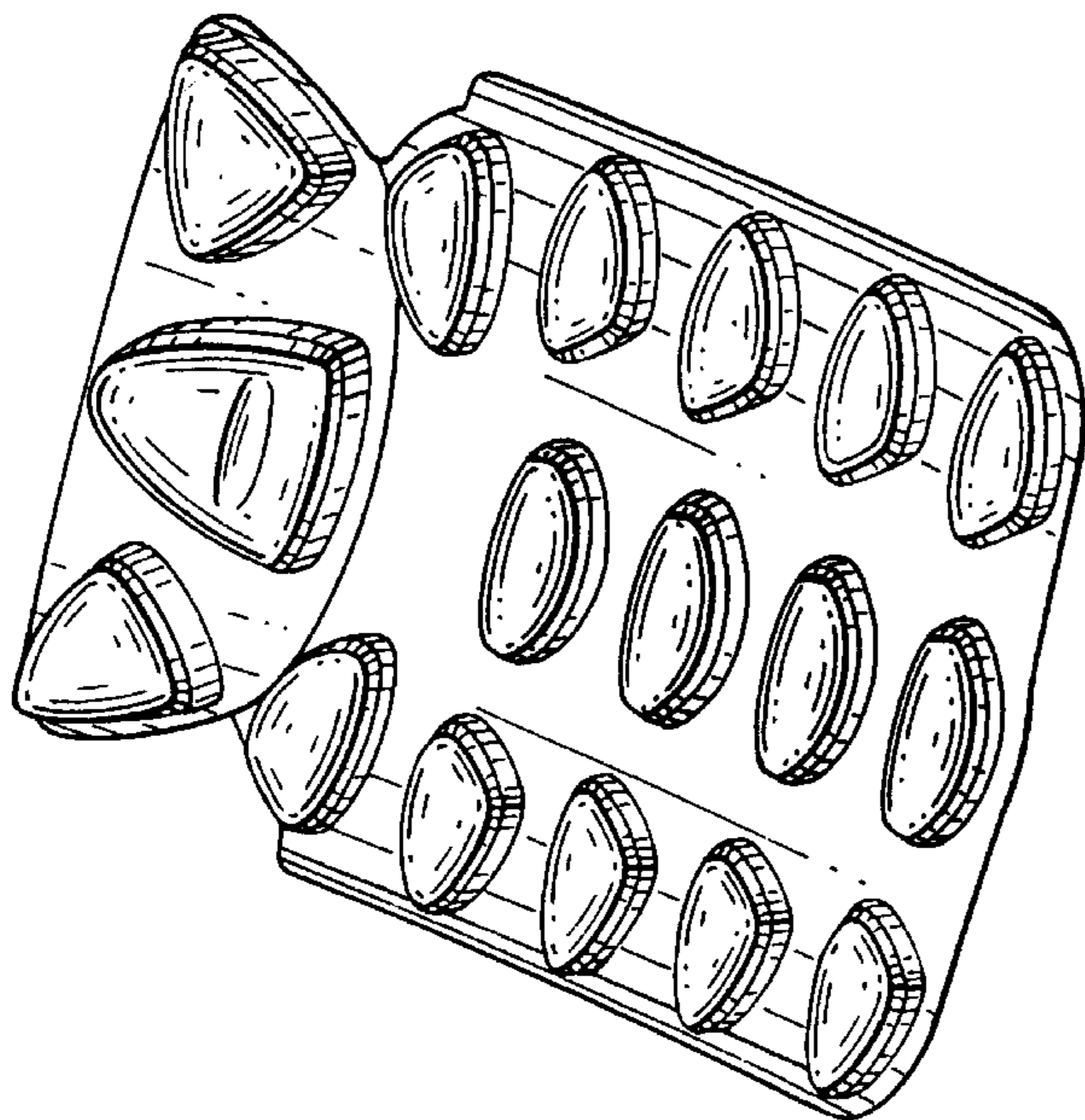
FIG. 1 is a front, bottom and right side perspective view of a keypad for a telephone handset showing my new design; FIG. 2 is a rear, top, and right side perspective view thereof; FIG. 3 is a left side view thereof; FIG. 4 is a bottom plan view thereof; FIG. 5 is a front elevational view thereof; FIG. 6 is a top plan view thereof; FIG. 7 is a right side view thereof; and, FIG. 8 is a rear elevational view thereof.

1 Claim, 3 Drawing Sheets

[56] References Cited

U.S. PATENT DOCUMENTS

D. 388,784	1/1998	Phillips et al.	D14/138
D. 395,431	6/1998	Harris et al.	D14/138
D. 405,785	2/1999	Vuolteenaho	D14/138
D. 406,585	3/1999	Vuolteenaho et al.	D14/138
D. 409,204	5/1999	Vuolteenaho	D14/247
D. 412,704	8/1999	Vuolteenaho et al.	D14/138
D. 415,149	10/1999	Vuolteenaho et al.	D14/138
D. 415,489	10/1999	Ke	D14/138
D. 416,024	11/1999	Johannsson et al.	D14/247
D. 420,678	2/2000	Curtis et al.	D14/247
D. 421,019	2/2000	Curtis	D14/247



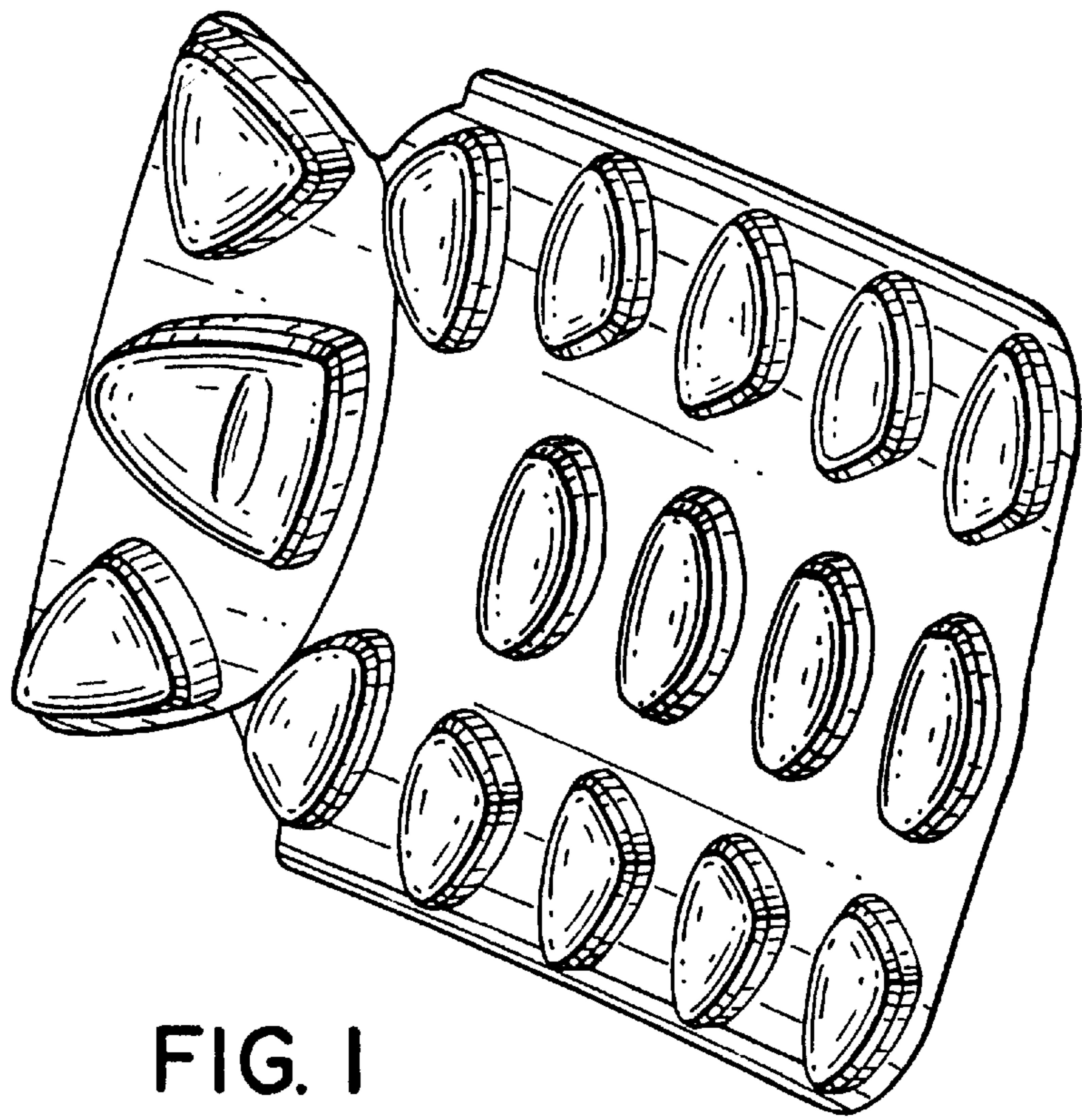


FIG. 1

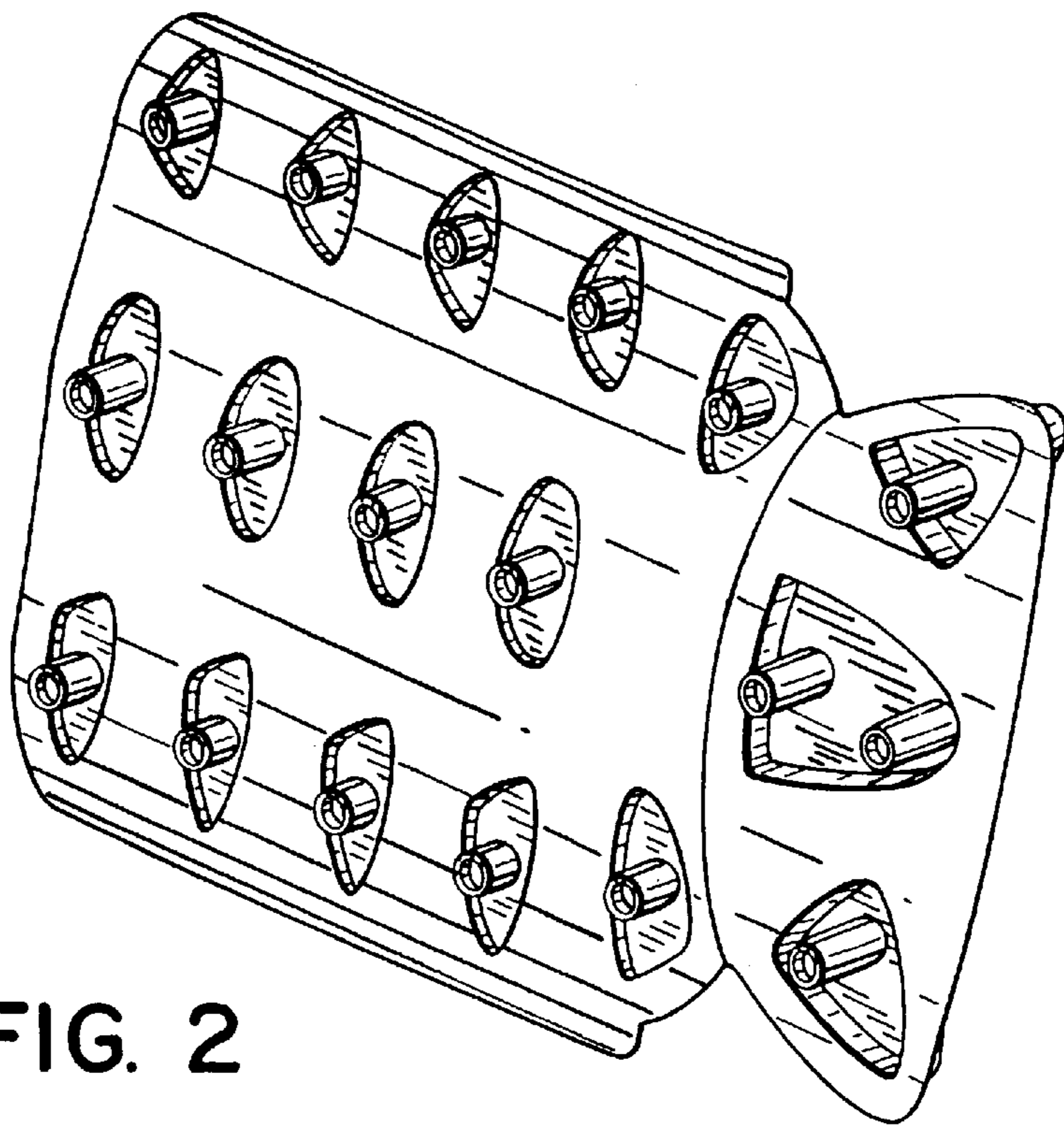


FIG. 2

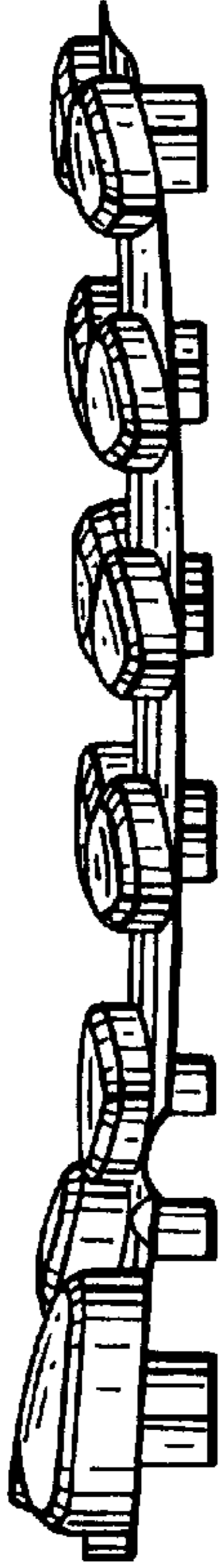


FIG. 3

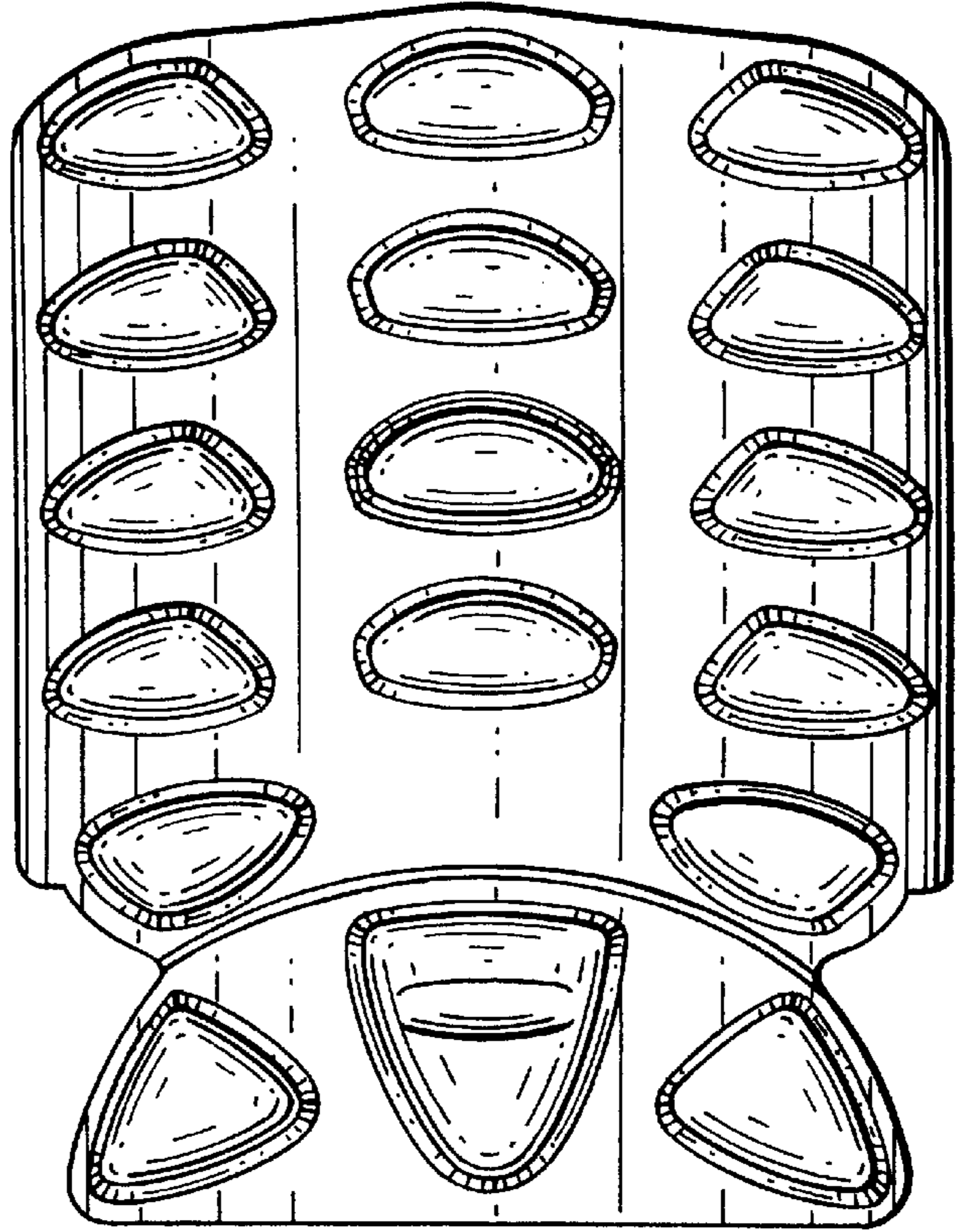


FIG. 5

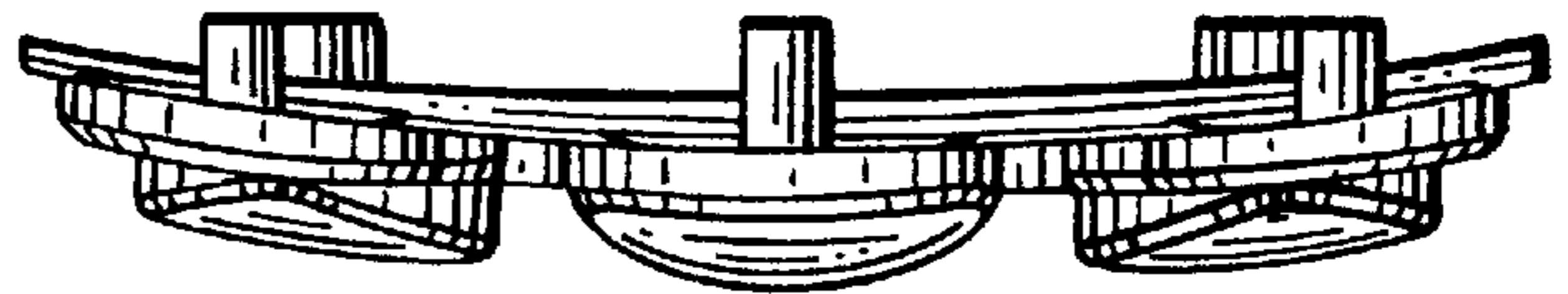


FIG. 4

FIG. 7

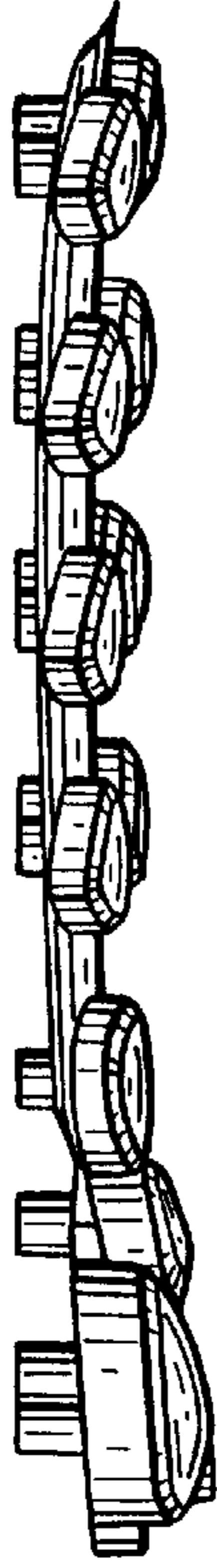


FIG. 8

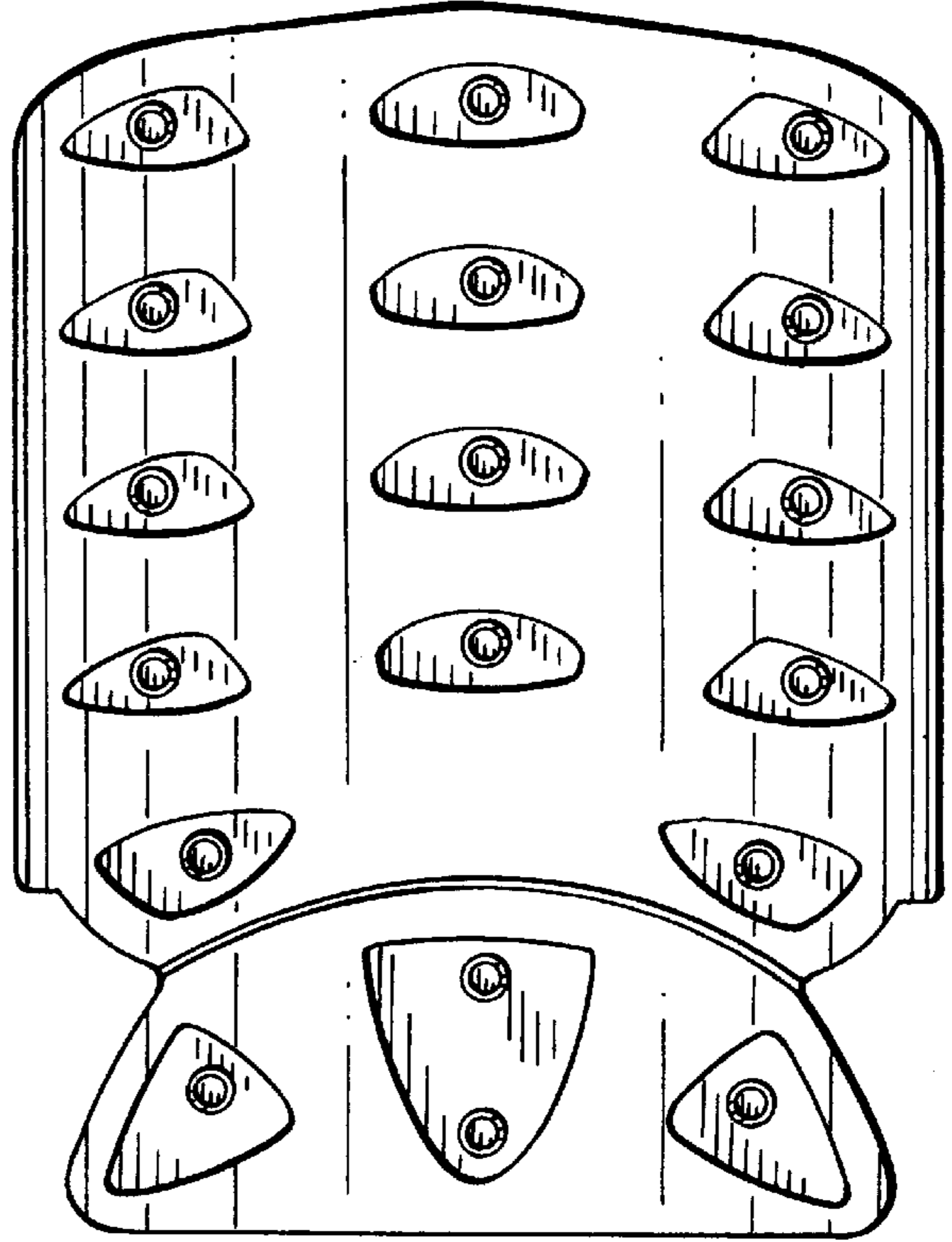


FIG. 6

