



US00D429230S

United States Patent [19] Shiono

[11] **Patent Number: Des. 429,230**

[45] **Date of Patent: ** Aug. 8, 2000**

[54] **DISC PLAYER**

4,811,314 3/1989 Alves 369/75.2 X
5,666,343 9/1997 Ahn 369/77.2

[75] Inventor: **Daisuke Shiono**, Tokyo, Japan

OTHER PUBLICATIONS

[73] Assignee: **Sony Corporation**, Japan

Catalog "88", pp. 58 & 59, Sony (Mar. 1998).
Catalog "90", p. 54, Sony (Nov. 1998).

[**] Term: **14 Years**

Primary Examiner—Nanda Bondade
Attorney, Agent, or Firm—Rader, Fishman & Grauer

[21] Appl. No.: **29/107,561**

[22] Filed: **Jul. 9, 1999**

[57] CLAIM

[51] **LOC (7) Cl.** **14-01**

The ornamental design for a disc player, as shown and described.

[52] **U.S. Cl.** **D14/156**

[58] **Field of Search** D14/135, 136,
D14/156, 157, 160-163, 167; 369/75.1,
75.2, 77.1, 77.2

DESCRIPTION

[56] References Cited

U.S. PATENT DOCUMENTS

D. 245,369	8/1977	Furuoka	D14/136
D. 263,829	4/1982	Honjo	D14/136
D. 268,670	4/1983	Iwaoka et al.	D14/136
D. 354,957	1/1995	Wada et al.	D14/156
D. 386,491	11/1997	Masamitsu	D14/136
D. 396,718	8/1998	Mohri	D14/124

FIG. 1 is a perspective view of a disc player showing my new design;
FIG. 2 is a top plan view thereof;
FIG. 3 is a left side elevational view thereof;
FIG. 4 is a front elevational view thereof;
FIG. 5 is a bottom plan view thereof;
FIG. 6 is a right side elevational view thereof; and,
FIG. 7 is a rear elevational view thereof.

1 Claim, 3 Drawing Sheets

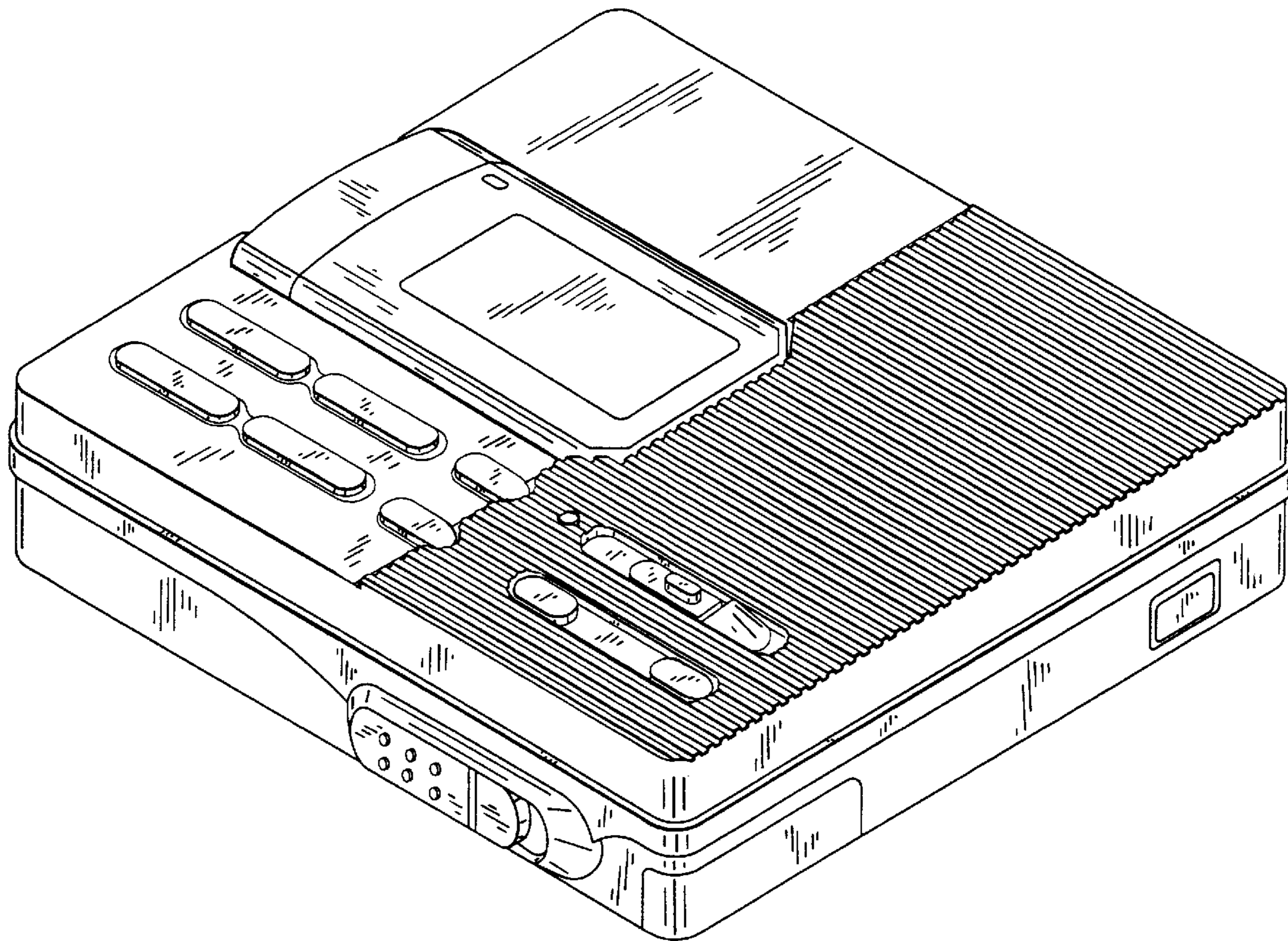


FIG. 1

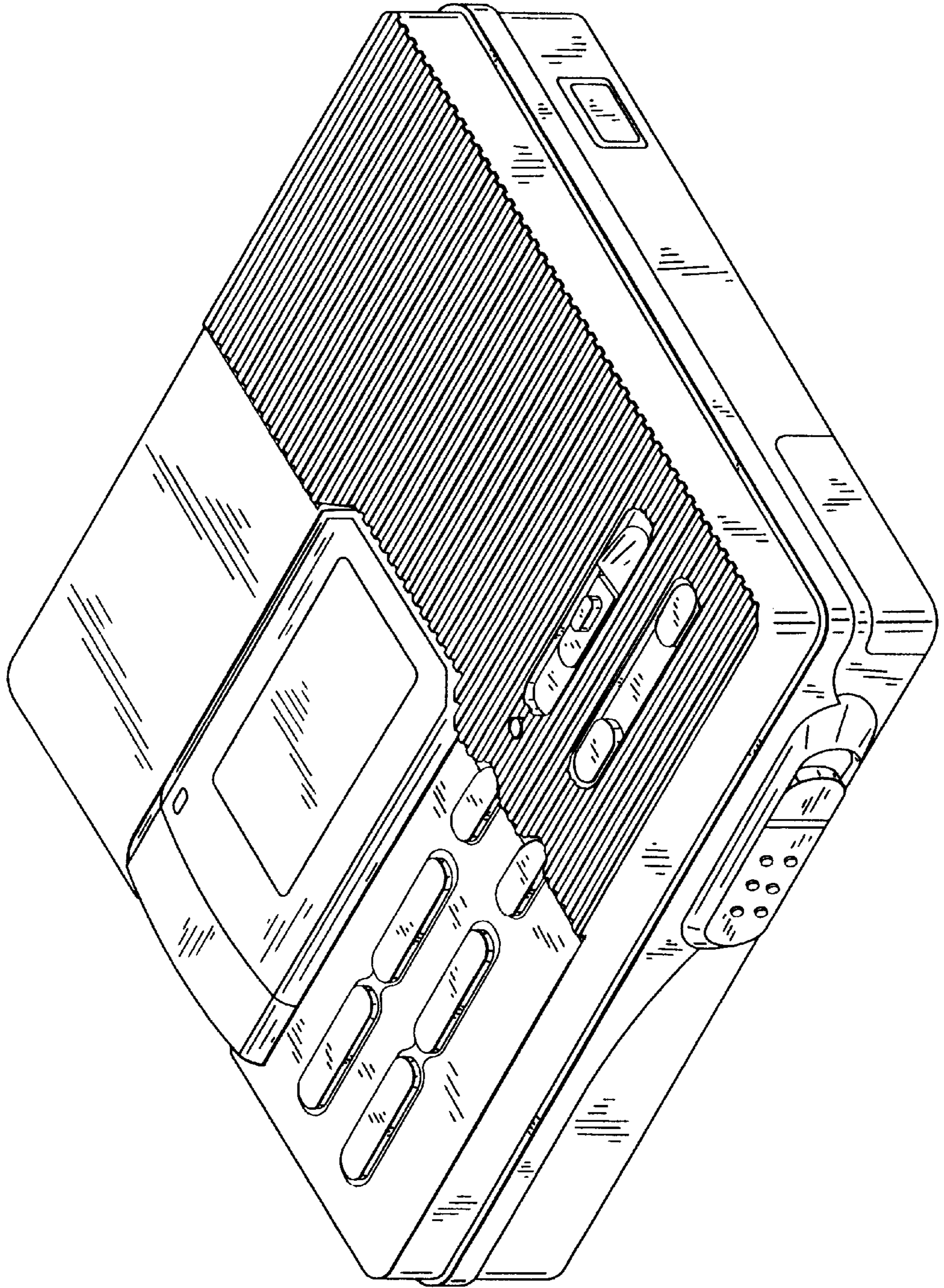


FIG. 2

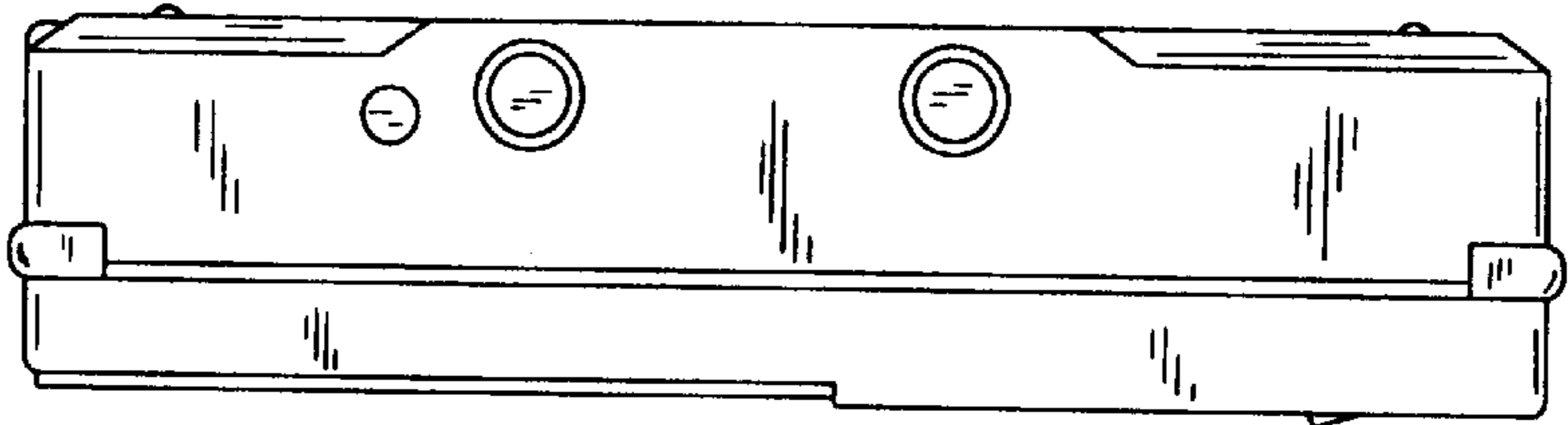


FIG. 3

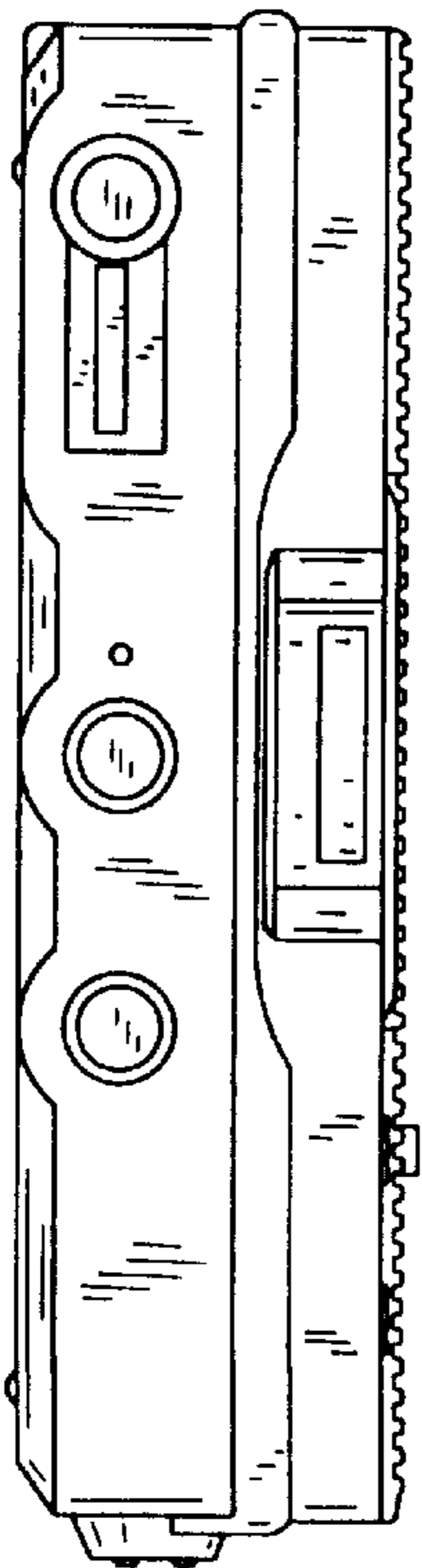


FIG. 4

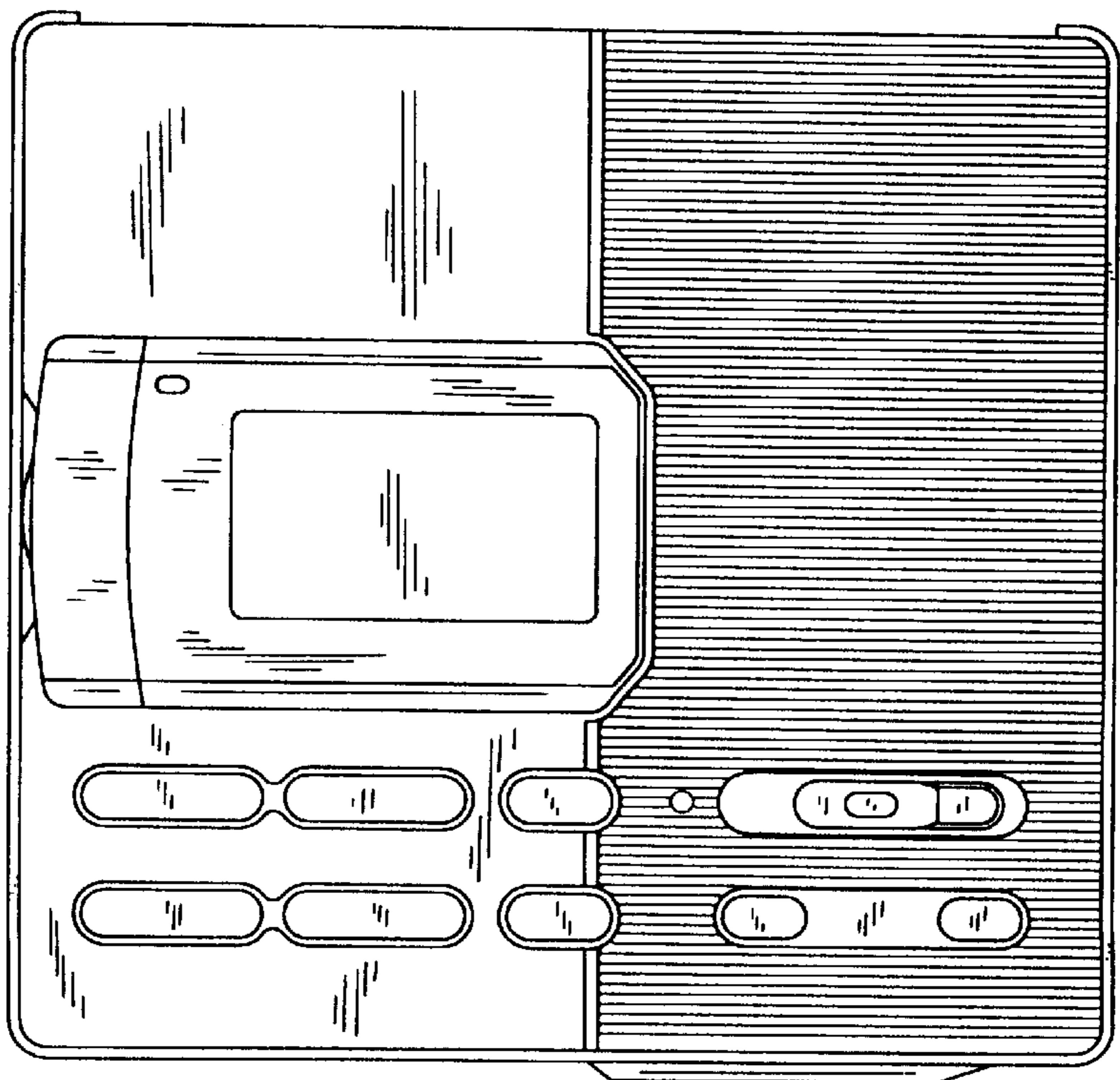


FIG. 6

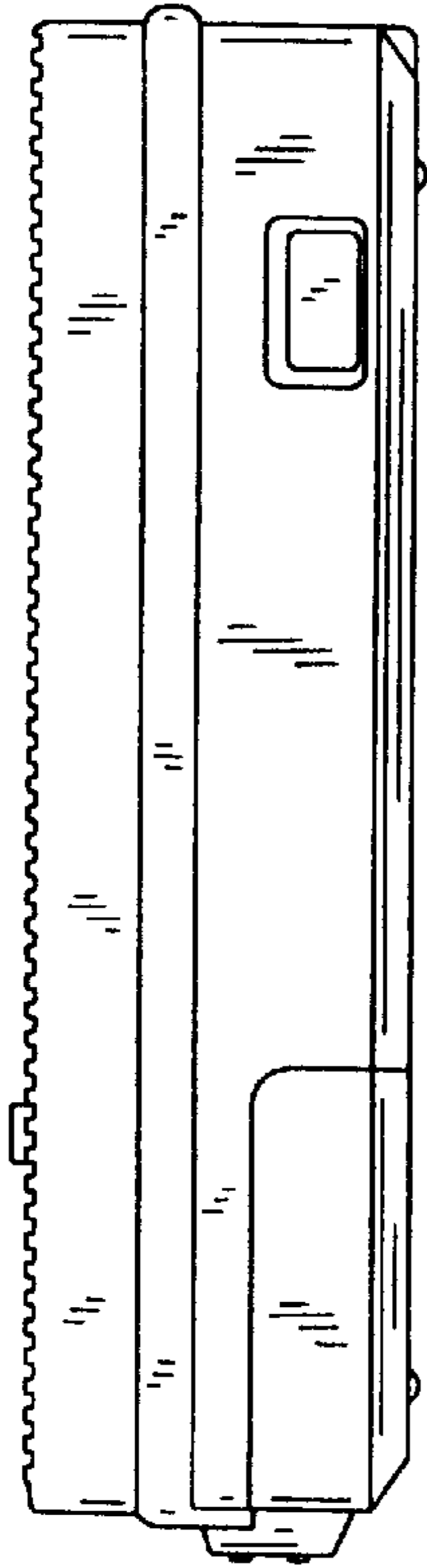


FIG. 7

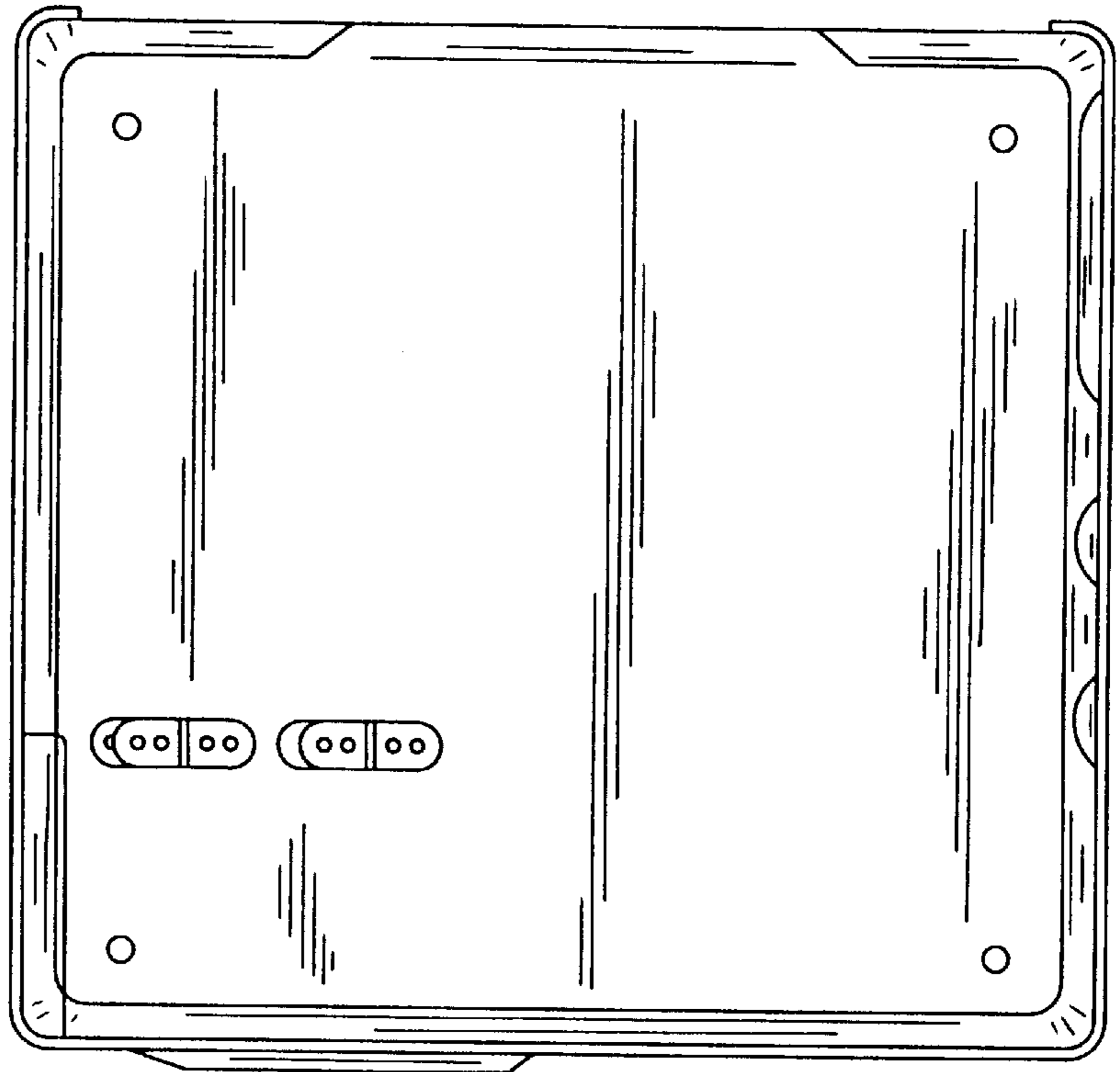


FIG. 5

