



US00D429227S

United States Patent [19] Shimizu

[11] **Patent Number: Des. 429,227**
[45] **Date of Patent: ** Aug. 8, 2000**

[54] **TELEVISION SET**

[75] Inventor: **Osamu Shimizu**, Tochigi-ken, Japan

[73] Assignee: **Sharp Kabushiki Kaisha**, Osaka, Japan

[**] Term: **14 Years**

[21] Appl. No.: **29/109,333**

[22] Filed: **Aug. 16, 1999**

[30] Foreign Application Priority Data

Feb. 17, 1999 [JP] Japan 11-3769

[51] **LOC (7) Cl.** **14-03**

[52] **U.S. Cl.** **D14/126; D14/113; D14/132**

[58] **Field of Search** D14/113, 126-134;
312/7.2; 348/836, 838

[56] References Cited

U.S. PATENT DOCUMENTS

- D. 323,324 1/1992 Suda D14/126 X
- D. 336,645 6/1993 Saito et al. .
- D. 337,113 7/1993 Saito et al. .
- D. 342,497 12/1993 Saito et al. .
- D. 342,501 12/1993 Saeki et al. .
- D. 342,509 12/1993 Saito et al. .

- D. 351,155 10/1994 Usami et al. .
- D. 357,244 4/1995 Usami et al. .
- D. 357,245 4/1995 Usami et al. .
- D. 357,472 4/1995 Usami et al. .
- D. 369,596 5/1996 Akiyama et al. .
- D. 372,026 7/1996 Akiyama et al. .
- D. 373,583 9/1996 Akiyama et al. .
- D. 388,077 12/1997 Stark D14/126
- D. 414,164 9/1999 Rorke et al. D14/113

Primary Examiner—Richelle Shelton
Attorney, Agent, or Firm—Nixon & Vanderhye

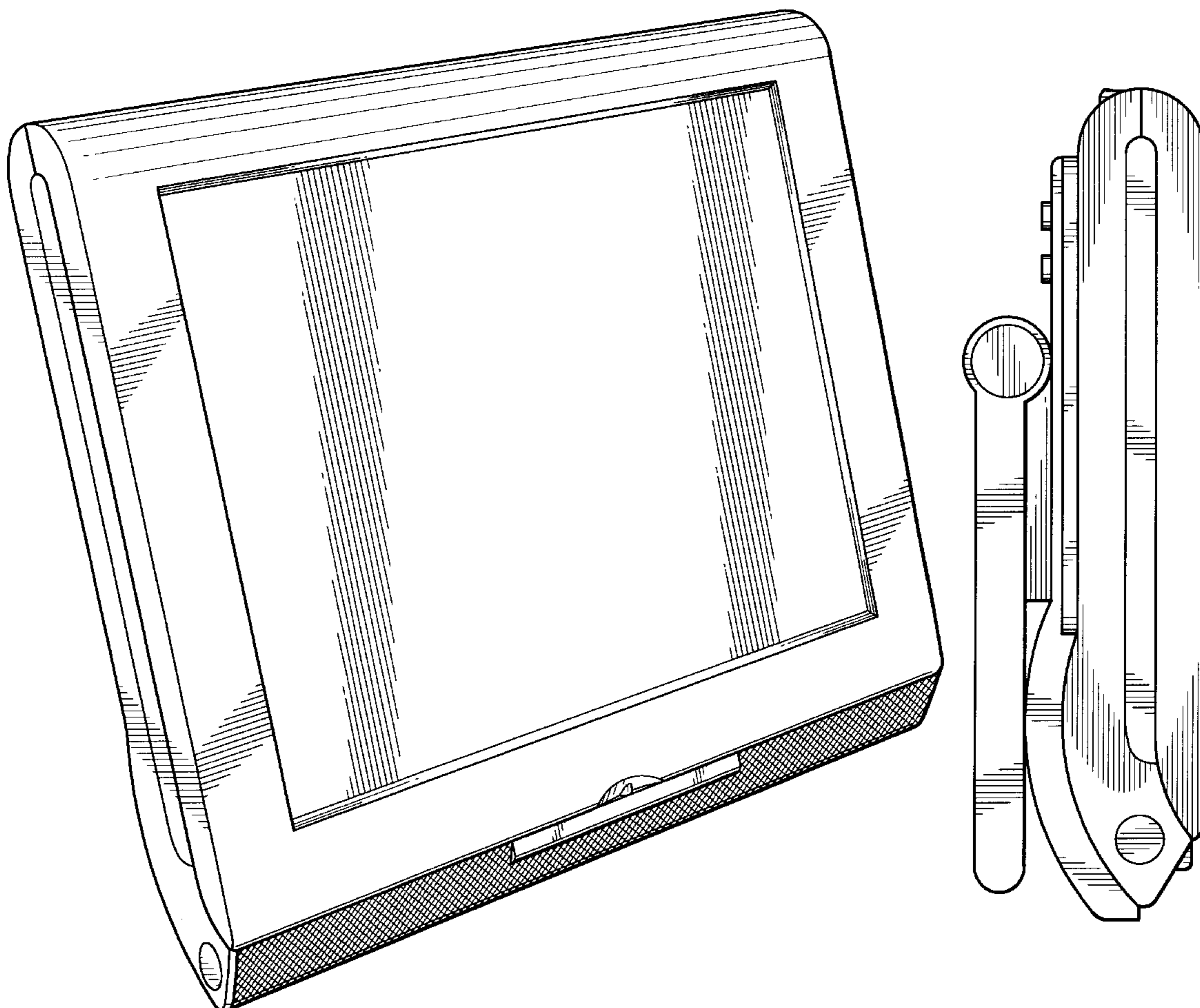
[57] CLAIM

The ornamental design for a television set, as shown and described.

DESCRIPTION

FIG. 1 is a front and left side perspective view of a television set according to my design;
FIG. 2 is a top plan view thereof;
FIG. 3 is a front elevational view thereof;
FIG. 4 is a left side elevational view thereof;
FIG. 5 is a right side elevational view thereof;
FIG. 6 is a bottom plan view thereof; and,
FIG. 7 is a rear elevational view thereof.

1 Claim, 6 Drawing Sheets



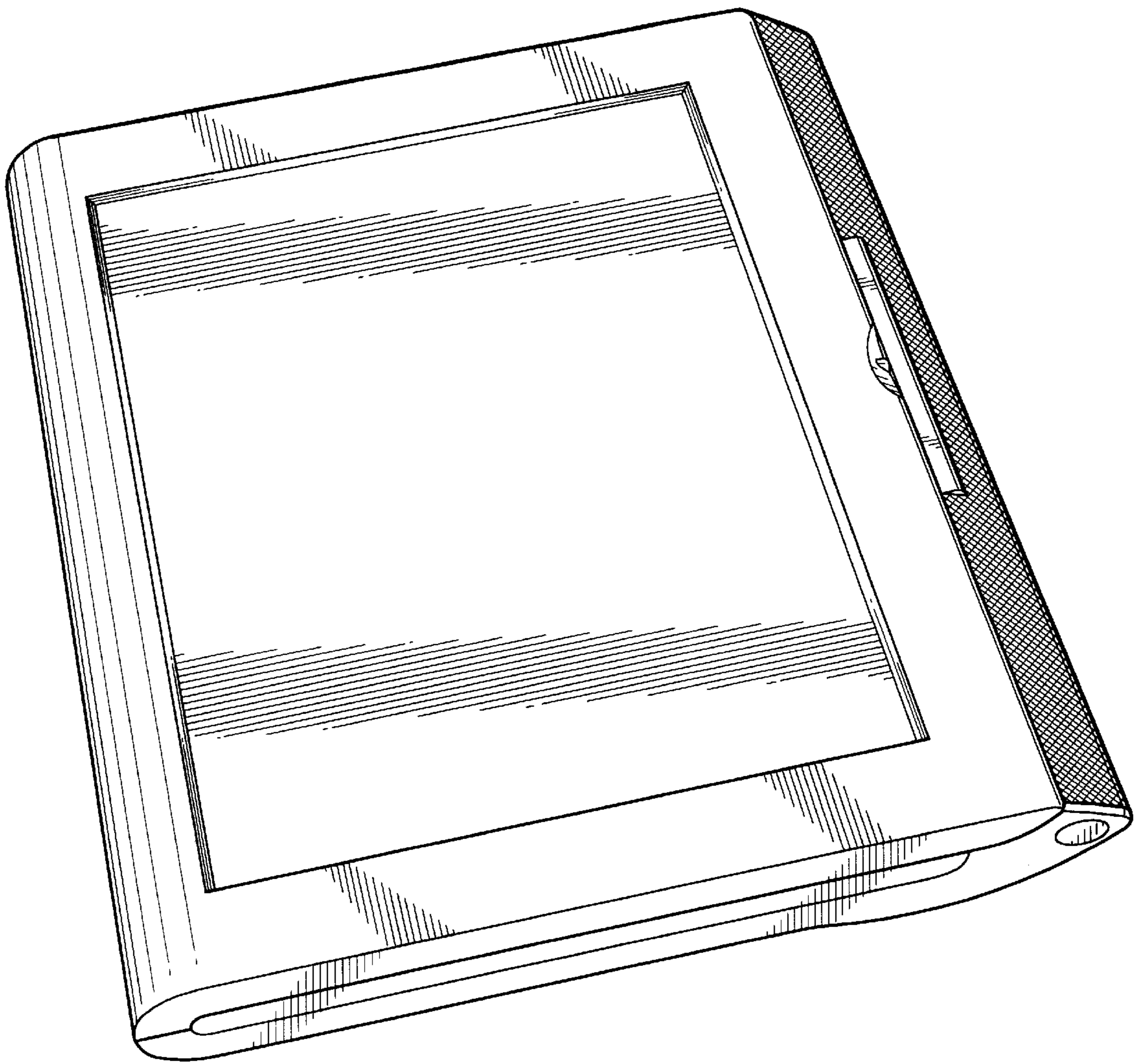


FIG. 1

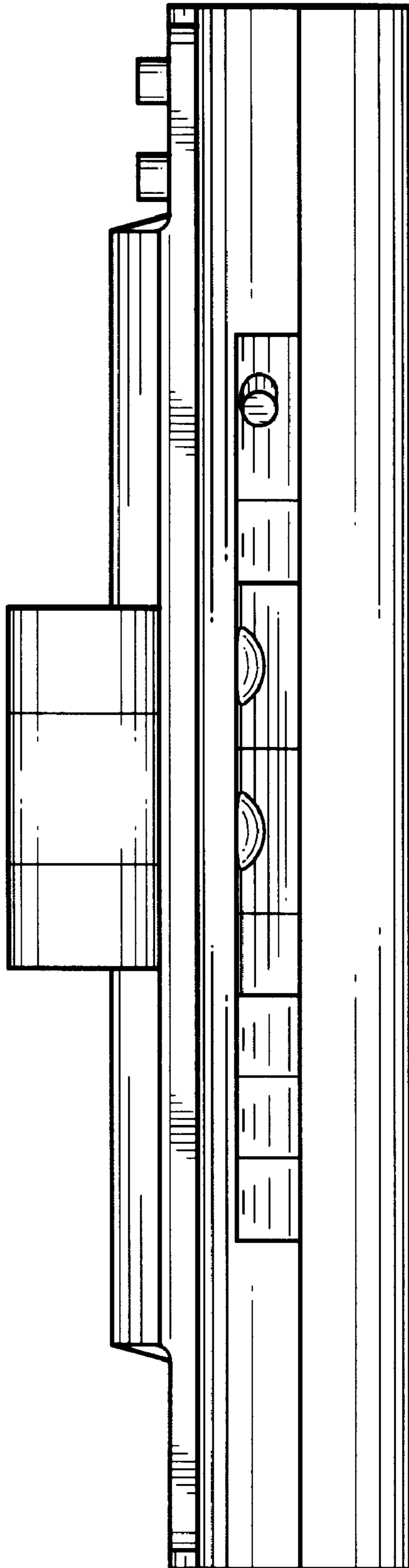


FIG. 2

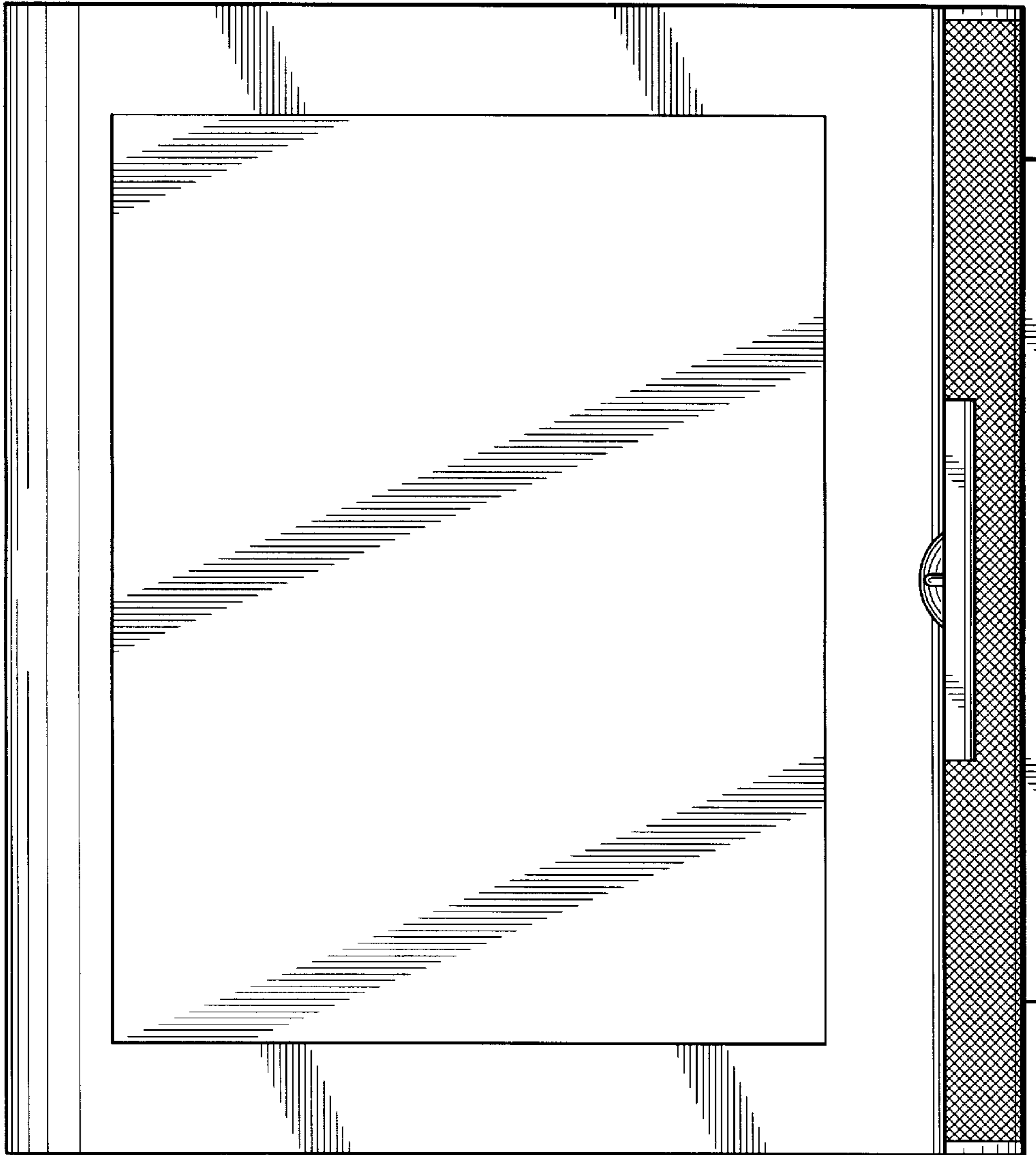


FIG. 3

FIG. 5

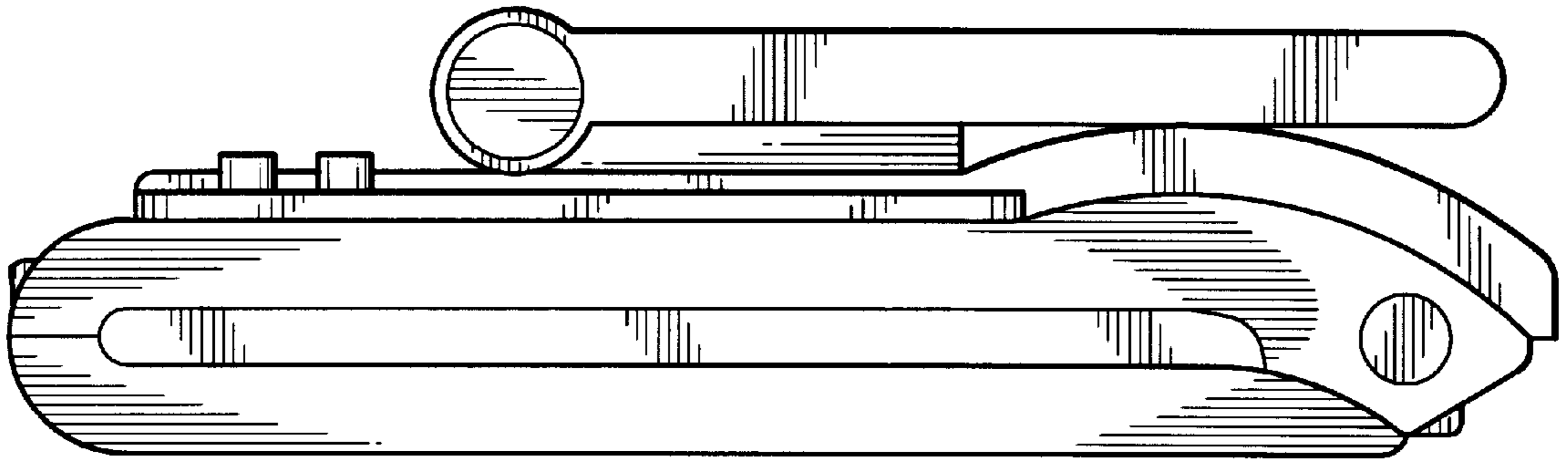
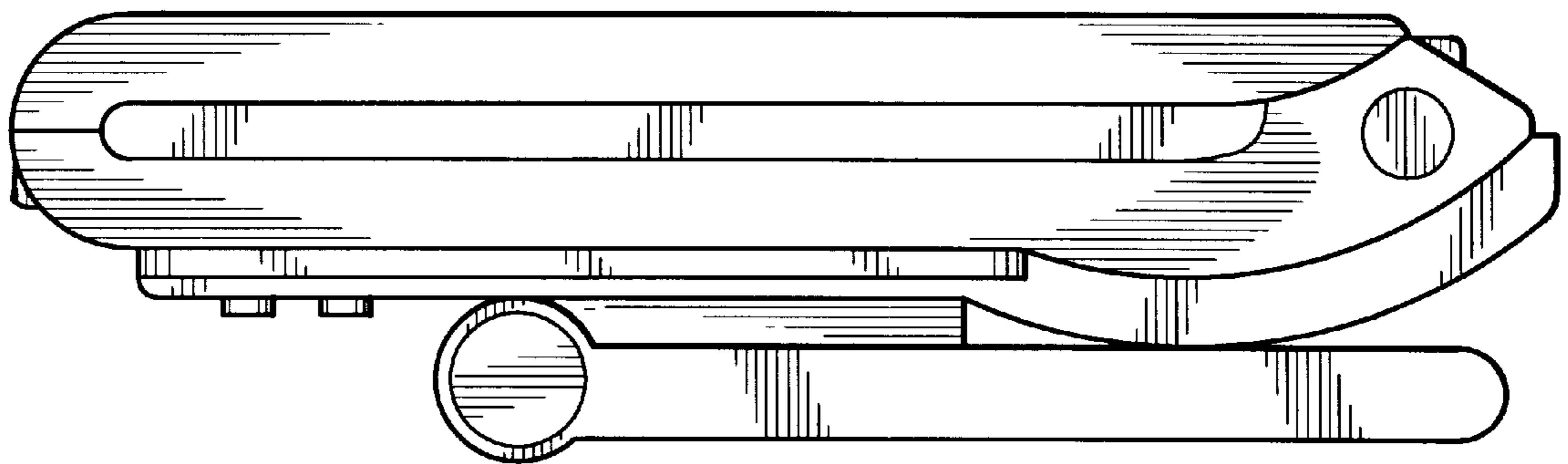


FIG. 4



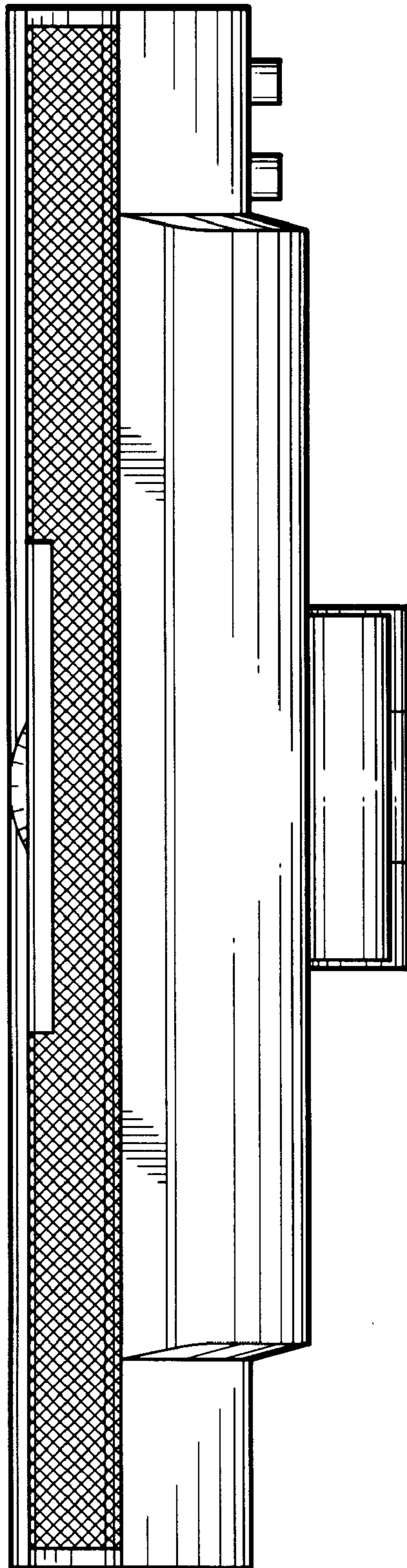


FIG. 6

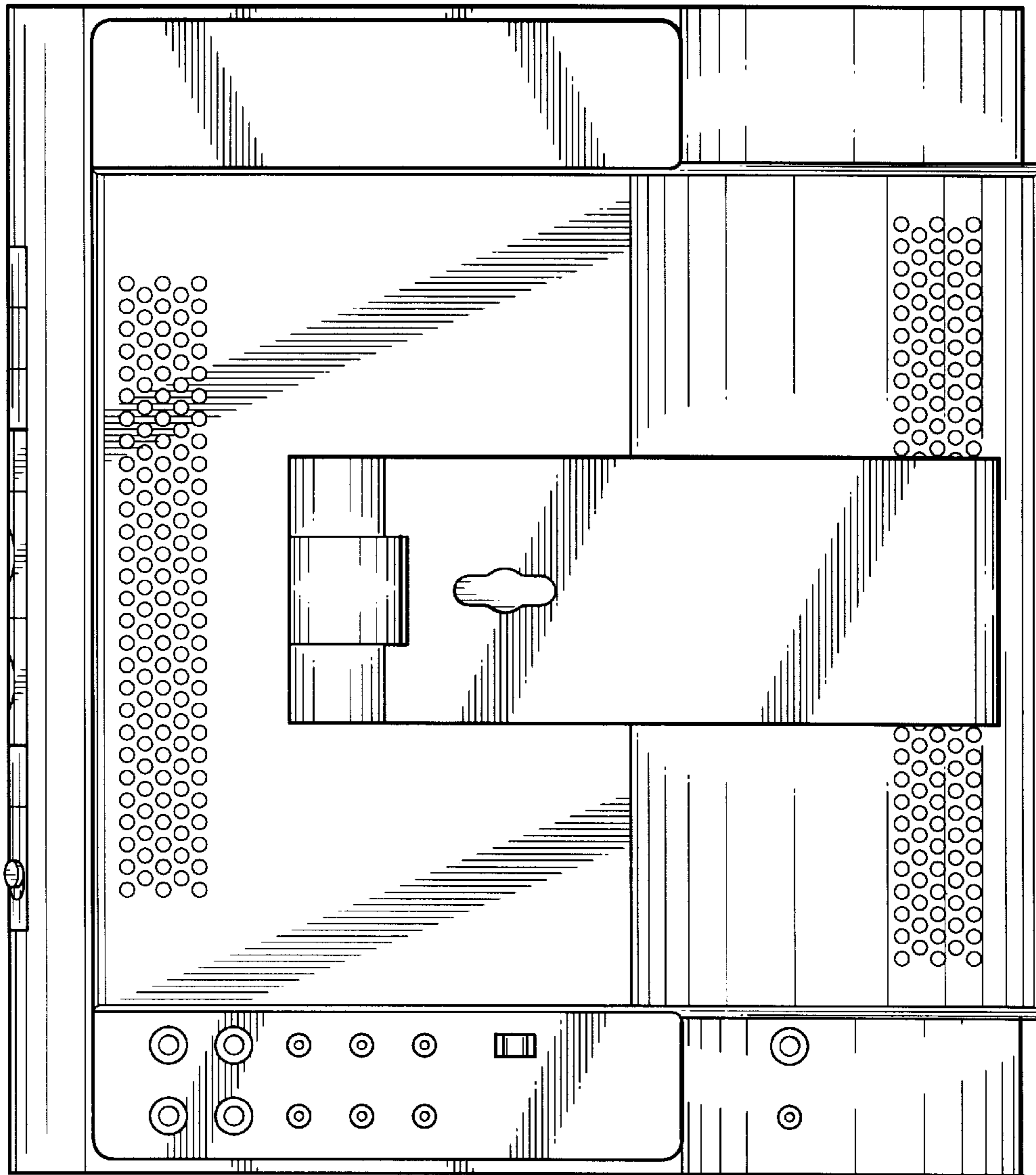


FIG. 7