



US00D429224S

United States Patent [19] Ishii

[11] Patent Number: **Des. 429,224**

[45] Date of Patent: **** *Aug. 8, 2000**

[54] **QUARTZ FIN HEAT RETAINING TUBE**

[75] Inventor: **Katsutoshi Ishii**, Kanagawa, Japan

[73] Assignee: **Tokyo Electron Limited**, Tokyo-To, Japan

[*] Notice: This patent is subject to a terminal disclaimer.

[**] Term: **14 Years**

[21] Appl. No.: **29/074,300**

[22] Filed: **Jul. 24, 1997**

[30] Foreign Application Priority Data

Jan. 31, 1997 [JP] Japan 9-2654

[51] **LOC (7) Cl.** **13-03**

[52] **U.S. Cl.** **D13/182**

[58] **Field of Search** 392/416, 418; 118/724, 725, 500; D13/182, 179; D15/144, 144.1, 199; D23/340

[56] References Cited

U.S. PATENT DOCUMENTS

D. 361,752 8/1995 Yamaga D13/182

D. 380,454 7/1997 Iwai et al. D13/182
5,303,671 4/1994 Kondo et al. 118/725

Primary Examiner—Lisa Lichtenstein
Attorney, Agent, or Firm—Ladas & Parry

[57] CLAIM

I claim the ornamental design for quartz fin heat retaining tube, as shown and described.

DESCRIPTION

FIG. 1 a perspective view of a quartz fin heat retaining tube.

FIG. 2 is a top plan view thereof.

FIG. 3 a front elevational view thereof.

FIG. 4 a cross sectional view taken along line 4—4 in FIG. 3.

FIG. 5 a cross sectional view taken along line 5—5 in FIG. 3.

FIG. 6 a left side view thereof.

FIG. 7 a right side view thereof.

FIG. 8 a bottom plan view thereof; and

FIG. 9 a rear elevational view thereof.

1 Claim, 3 Drawing Sheets

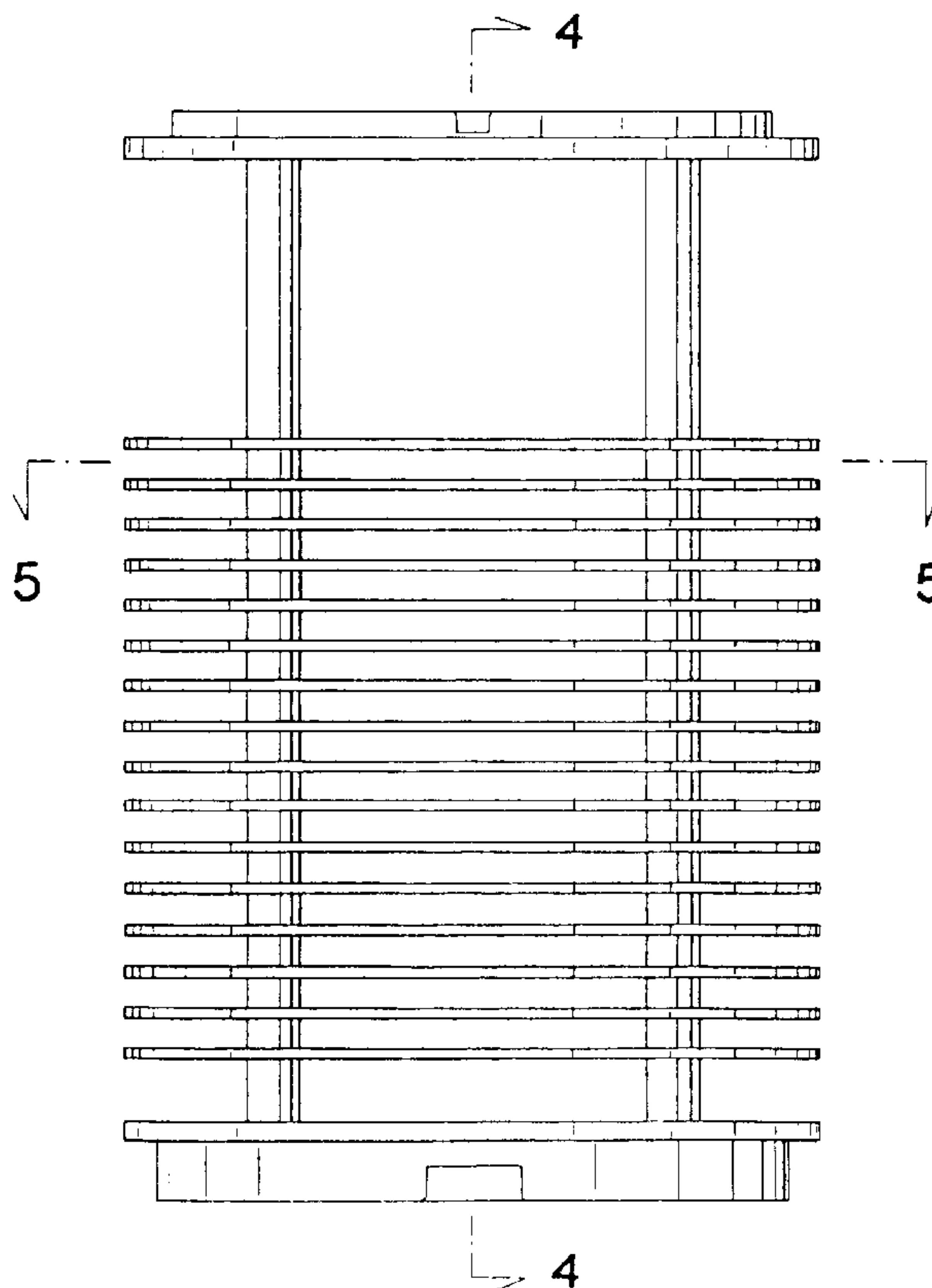
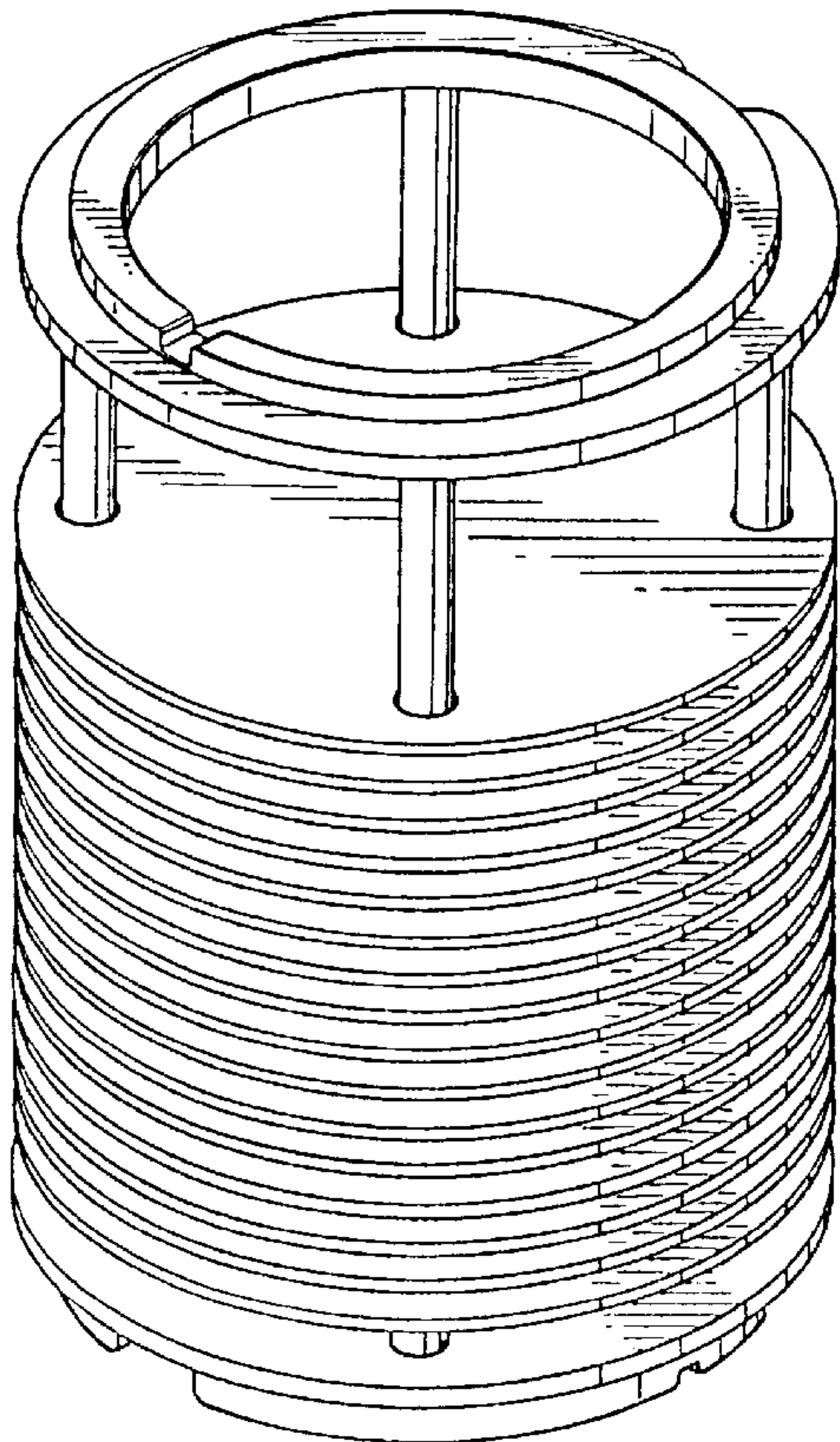


FIG. 1

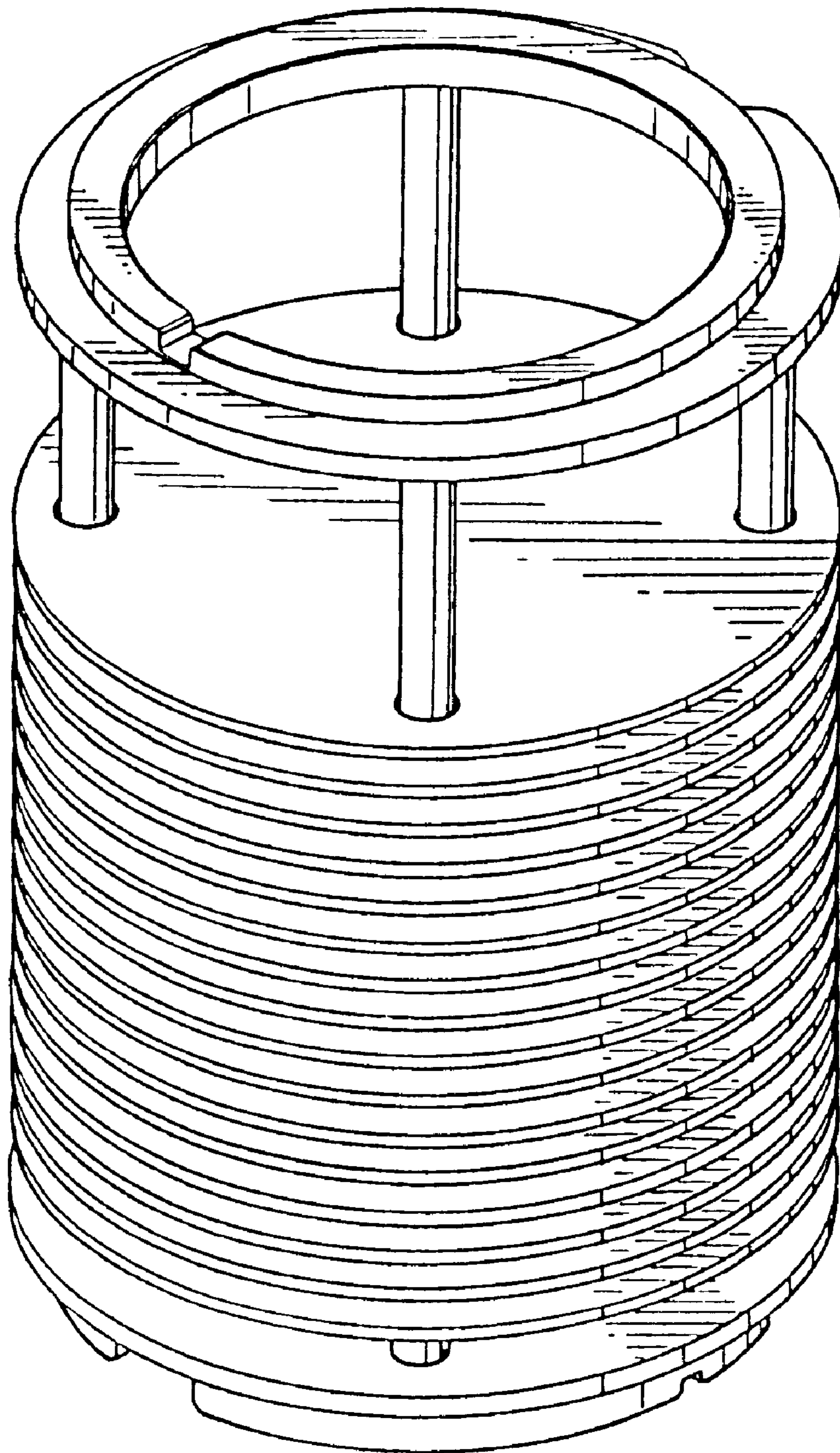


FIG. 2

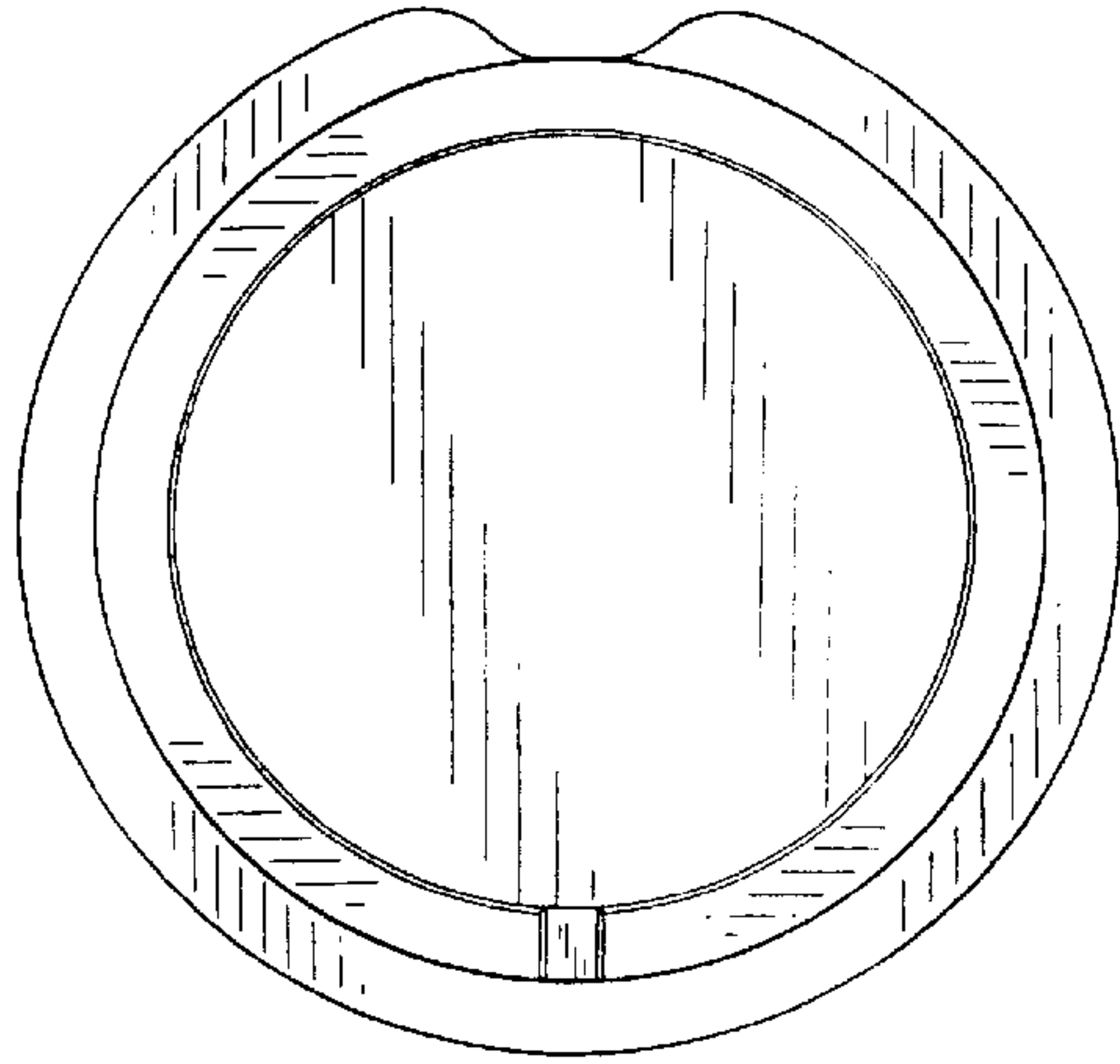


FIG. 4

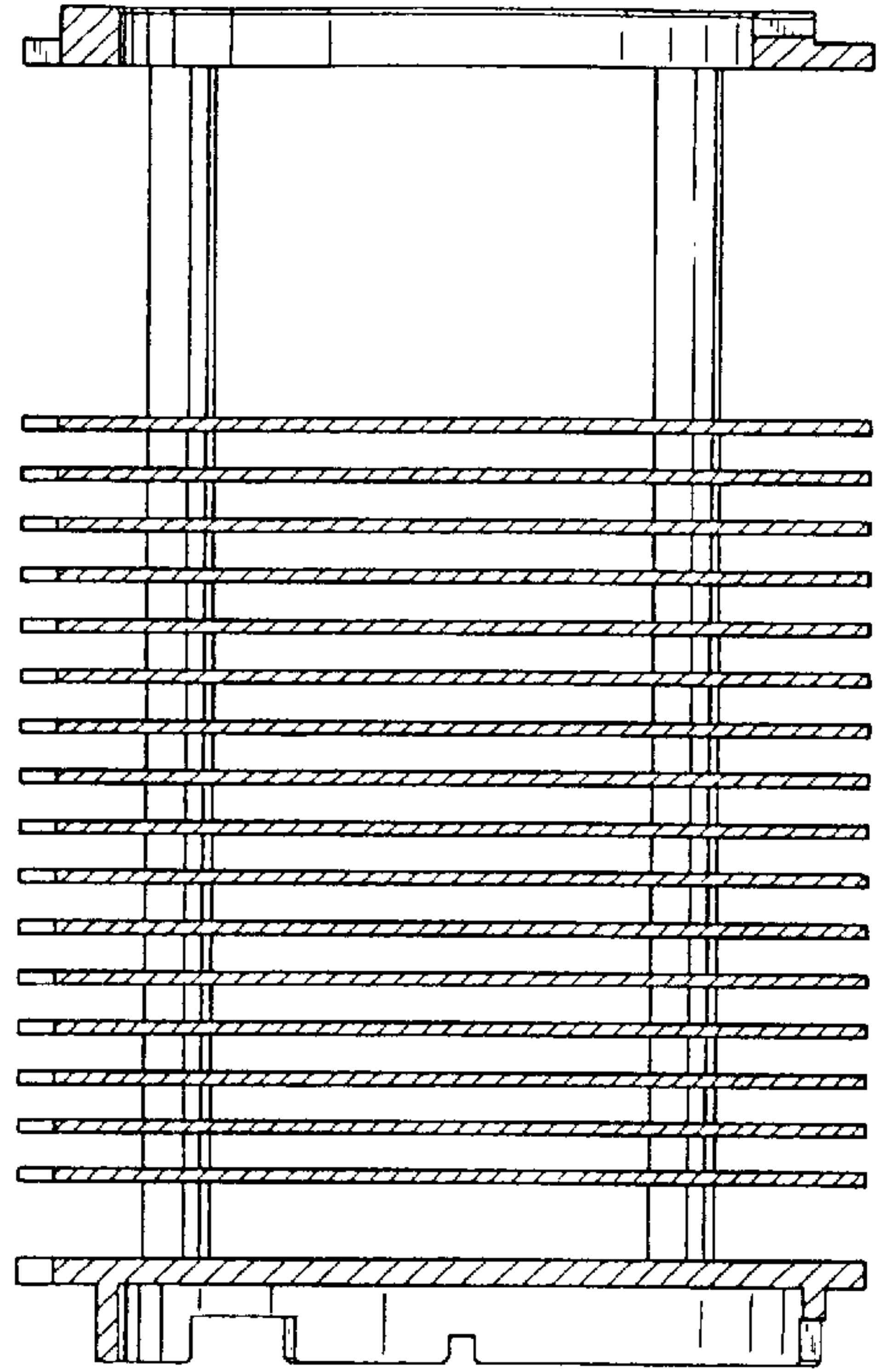


FIG. 3

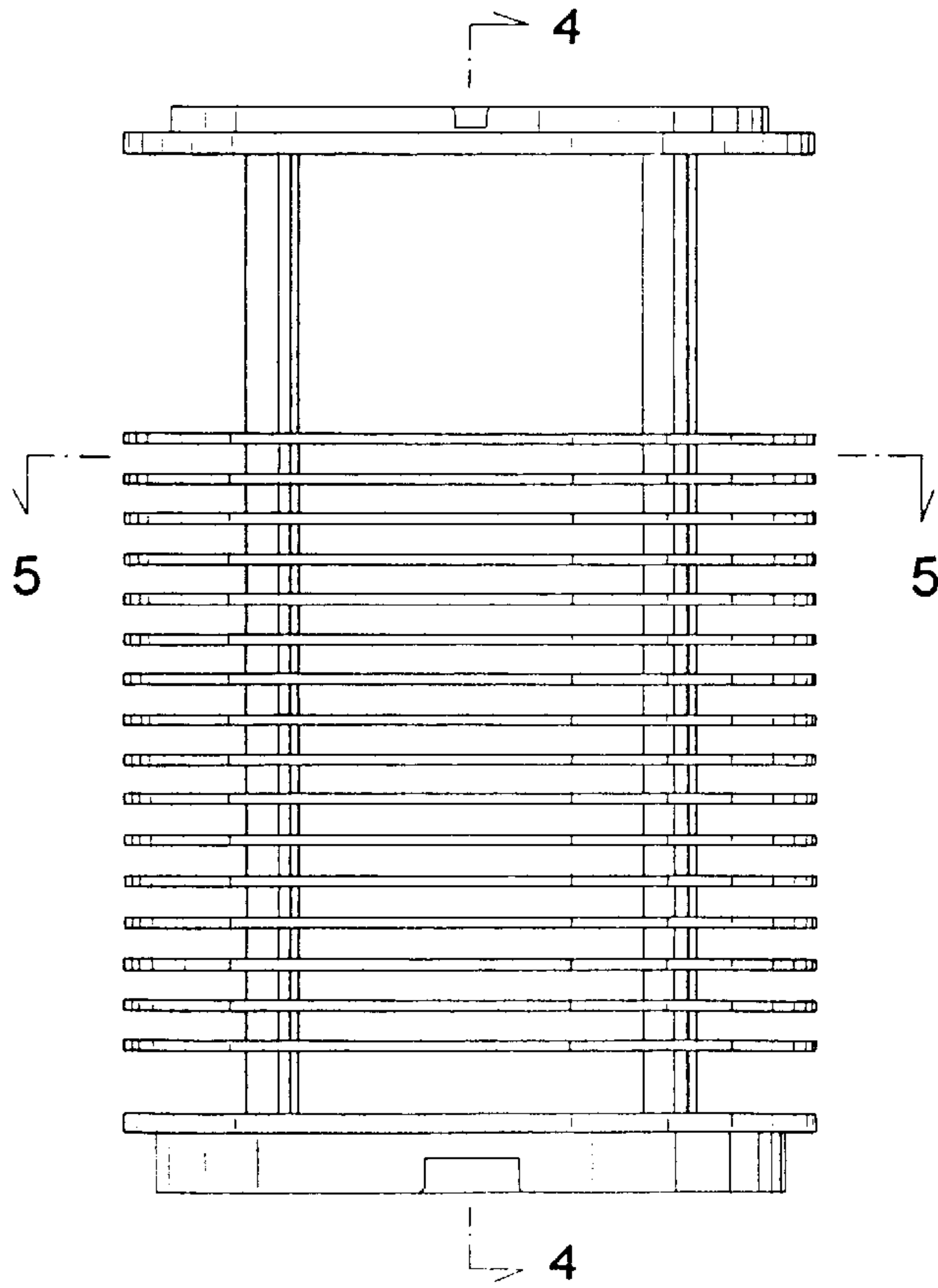


FIG. 5

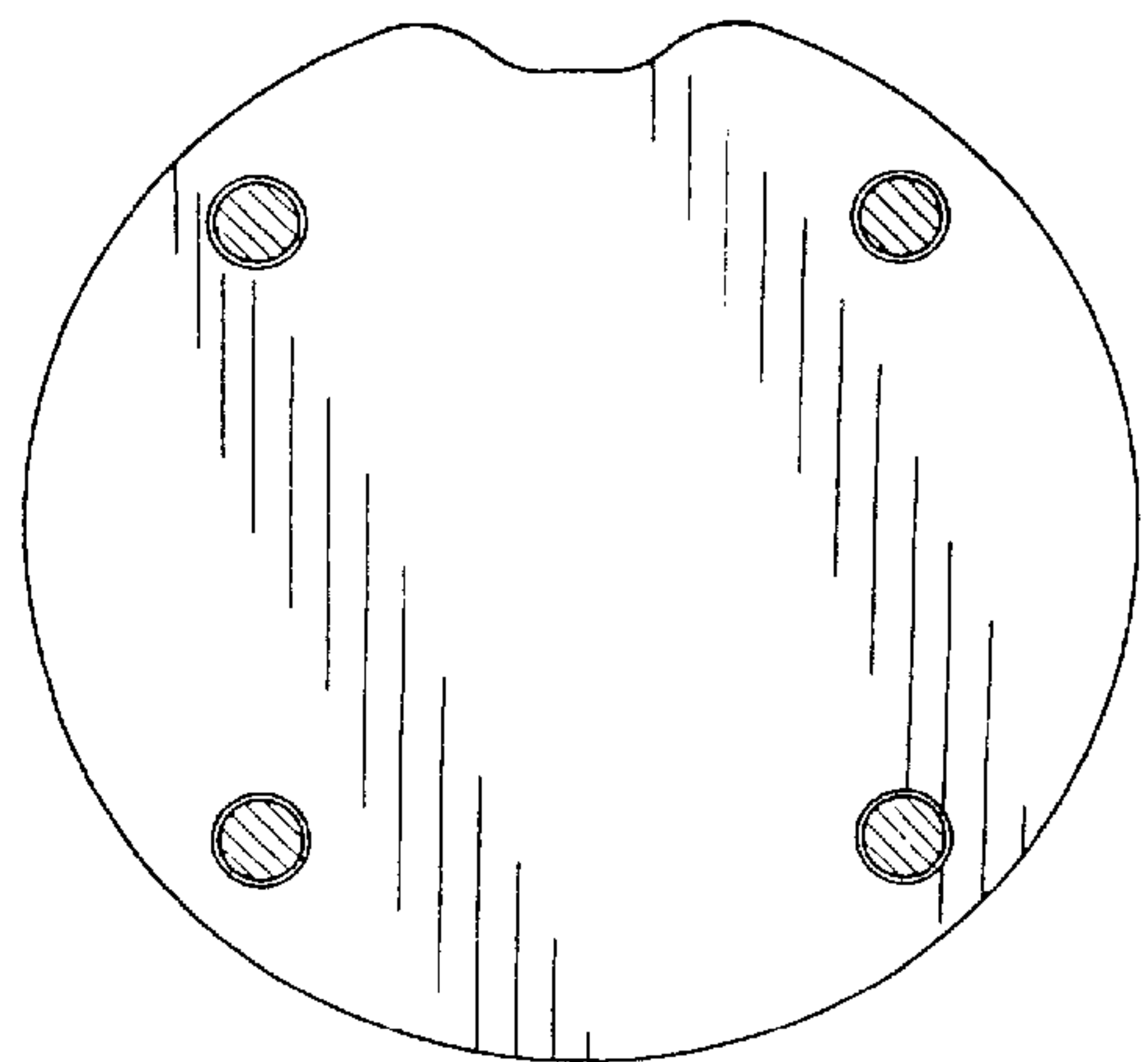


FIG. 6

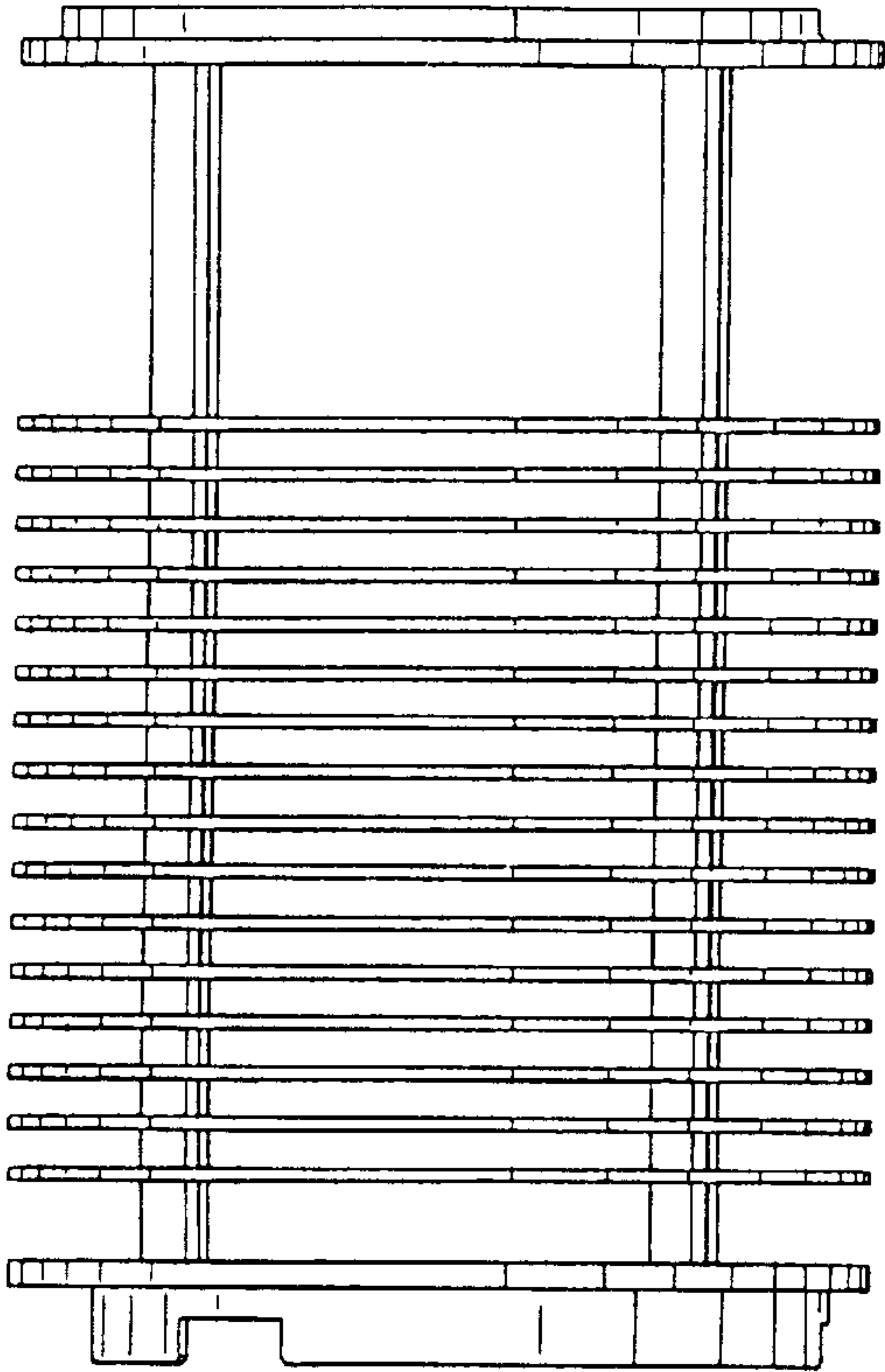


FIG. 7

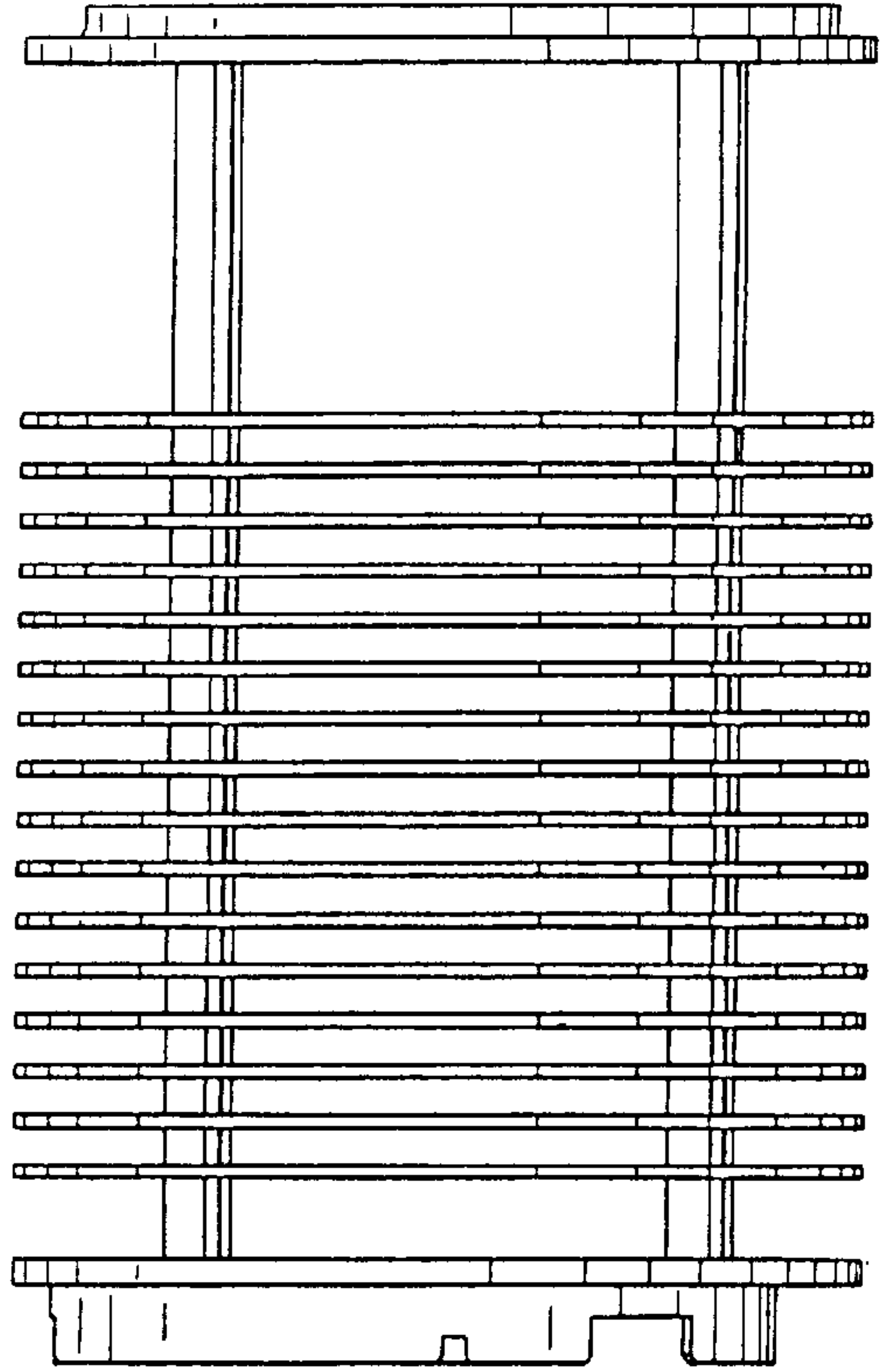


FIG. 9

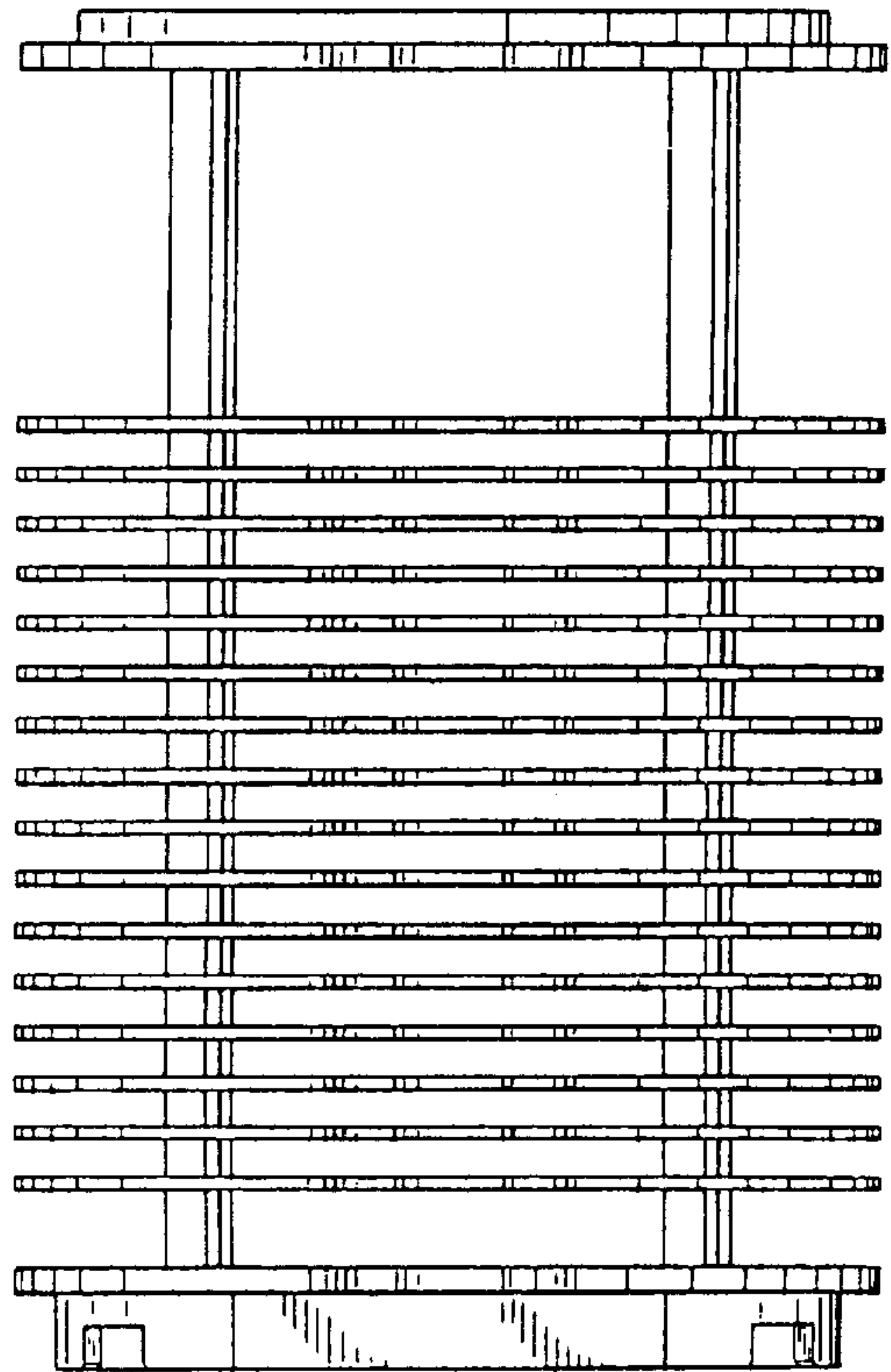


FIG. 8

