



US00D429223S

United States Patent [19]

Douglass et al.

[11] Patent Number: Des. 429,223

[45] Date of Patent: ** Aug. 8, 2000

[54] TOUCH SAFE FUSE MODULE HOLDER

5,002,505 3/1991 Jones et al. 337/263 X
5,841,337 11/1998 Douglass .

[75] Inventors: Robert Stephen Douglass, Wildwood, Mo.; Matthew Rain Darr, Godfrey, Ill.

Primary Examiner—Brian N. Vinson
Attorney, Agent, or Firm—Armstrong Teasdale LLP

[73] Assignee: Cooper Technologies Company, Houston, Tex.

[57] CLAIM

[**] Term: 14 Years

We claim the ornamental design for a touch safe fuse module holder, as shown and described.

[21] Appl. No.: 29/109,626

[22] Filed: Aug. 18, 1999

Related U.S. Application Data

DESCRIPTION

[63] Continuation-in-part of application No. 09/187,063, Nov. 6, 1998, abandoned, which is a continuation of application No. 08/784,389, Jan. 17, 1997, Pat. No. 5,841,337.

FIG. 1 is a perspective view of a touch safe fuse module holder in accordance with one embodiment of the present invention that is mounted to a rail and oriented to receive a touch safe fuse module.

[51] LOC (7) Cl. 13-03

[52] U.S. Cl. D13/178; D13/160

FIG. 2 is a perspective view similar to FIG. 1 but showing the touch safe fuse module holder connected to a touch safe fuse module.

[58] Field of Search D13/158, 160, D13/173, 178; 337/198, 159, 161, 162, 197, 194, 186, 195, 265, 263

FIG. 3 is a side view of the touch safe fuse module holder shown in FIG. 1.

FIG. 4 is a front view of the touch safe fuse module holder shown in FIG. 1.

FIG. 5 is a rear view of the touch safe fuse module holder shown in FIG. 1.

FIG. 6 is a top view of the touch safe fuse module holder shown in FIG. 1; and,

FIG. 7 is a bottom view of the touch safe fuse module holder shown in FIG. 1.

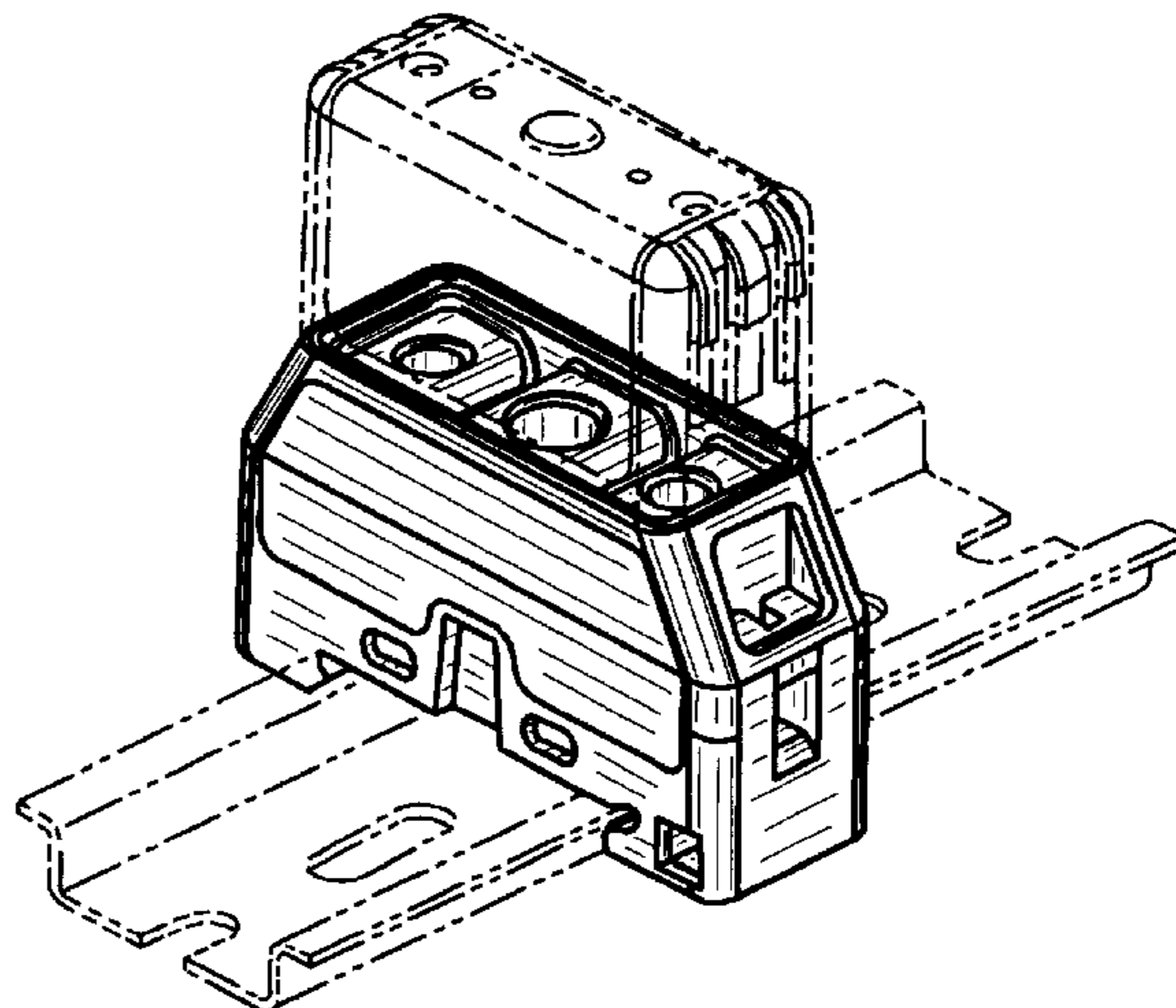
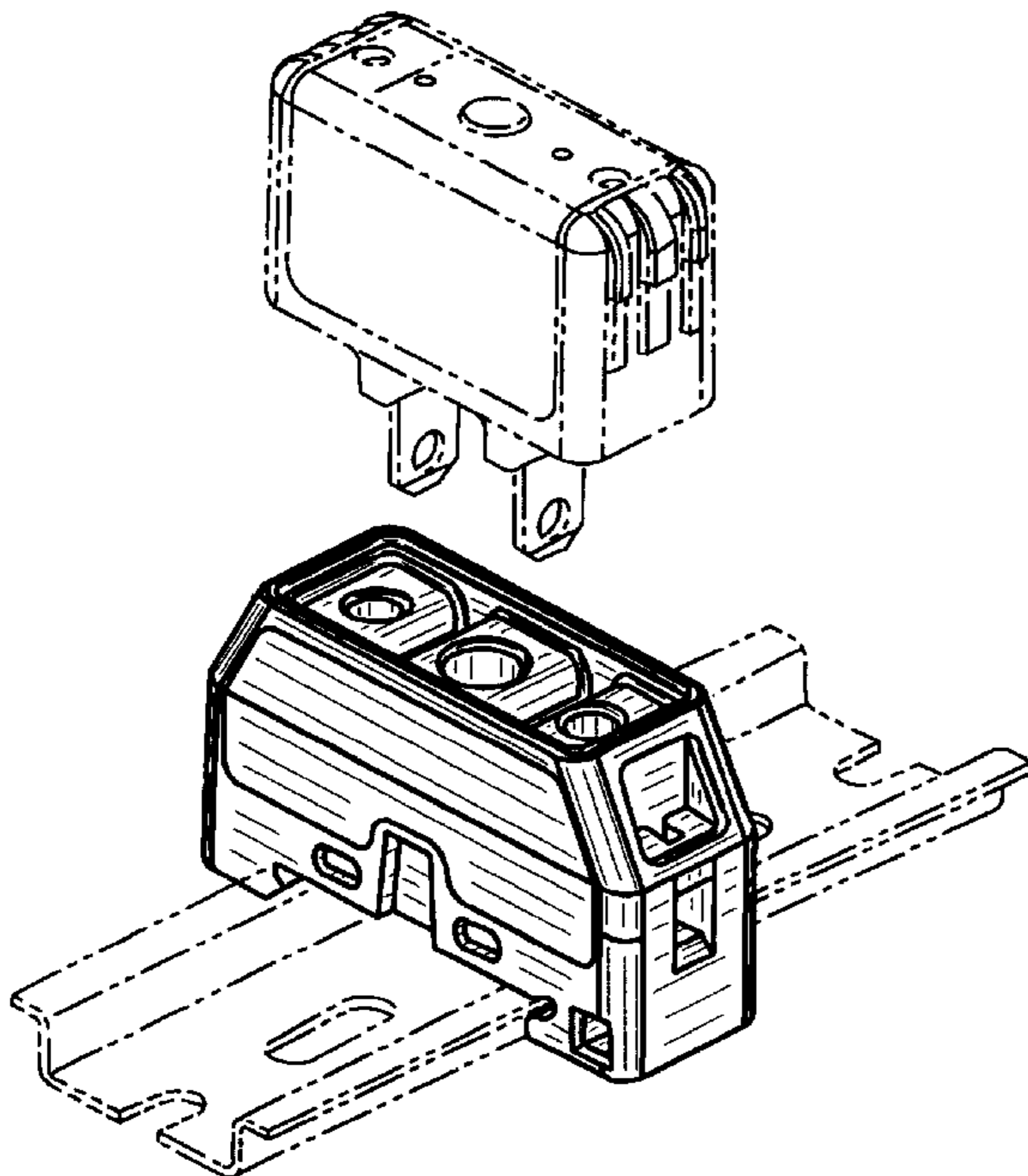
The broken-line disclosure of the fuse module and rail in the views is for illustrative purposes only and forms no part of the claimed design.

[56] References Cited

U.S. PATENT DOCUMENTS

D. 403,307	12/1998	Arzoumanian	D13/178
D. 414,749	10/1999	Carr	D13/178
2,091,204	8/1937	Horn	337/195 X
3,202,788	8/1965	George	337/194
3,229,066	1/1966	Rowe	337/197 X
4,308,516	12/1981	Shimada et al.	337/265 X
4,751,489	6/1988	Spannhorst	337/263 X

1 Claim, 2 Drawing Sheets



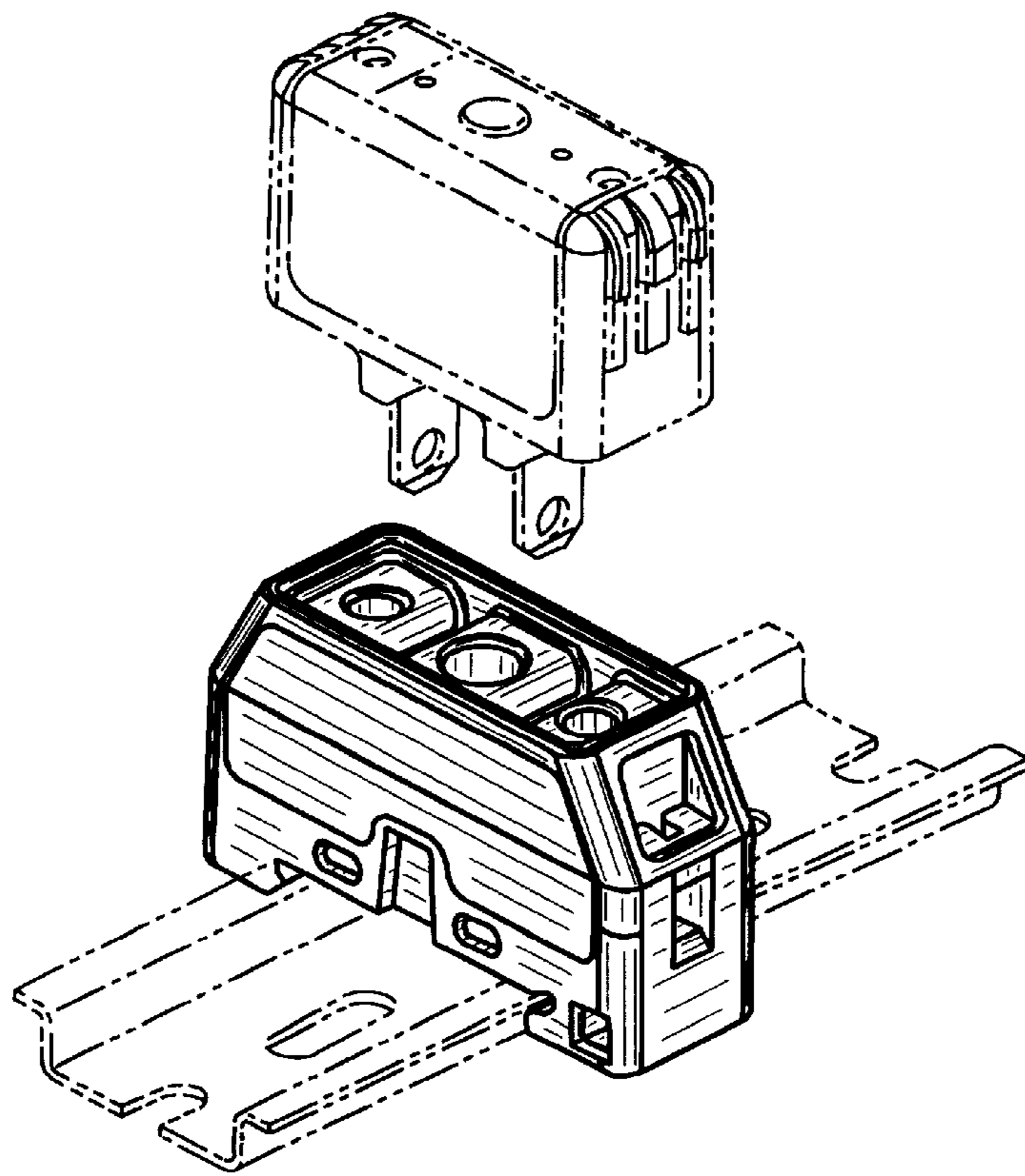


FIG. 1

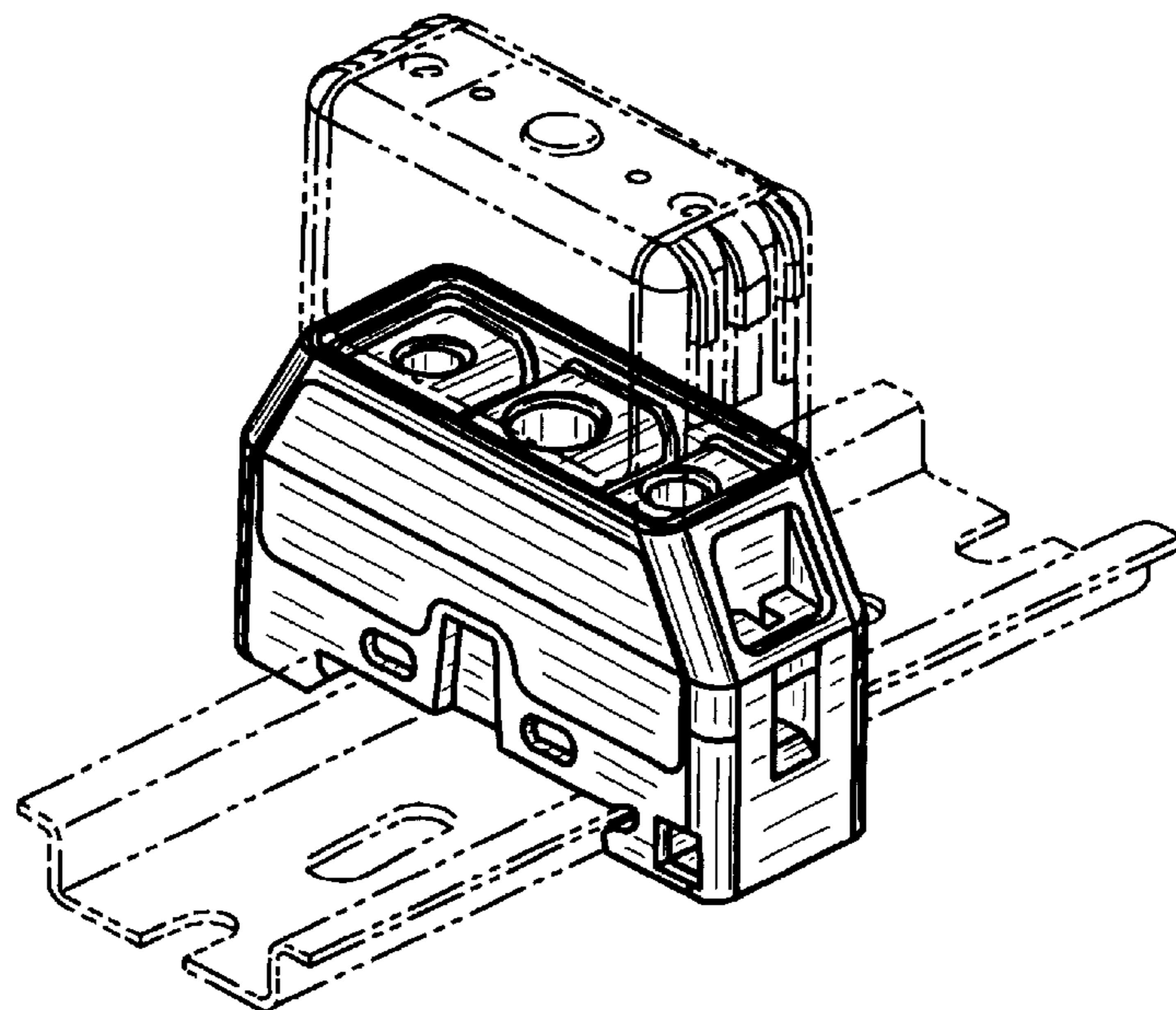


FIG. 2

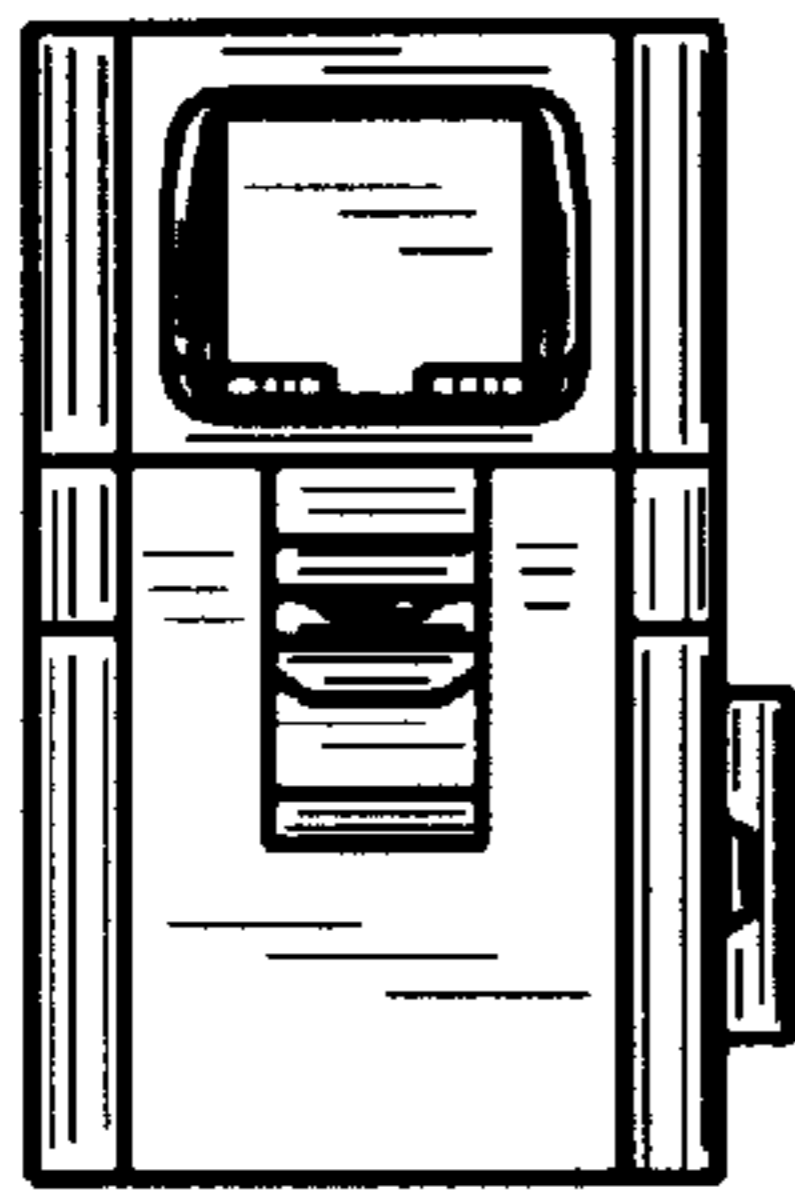


FIG. 3

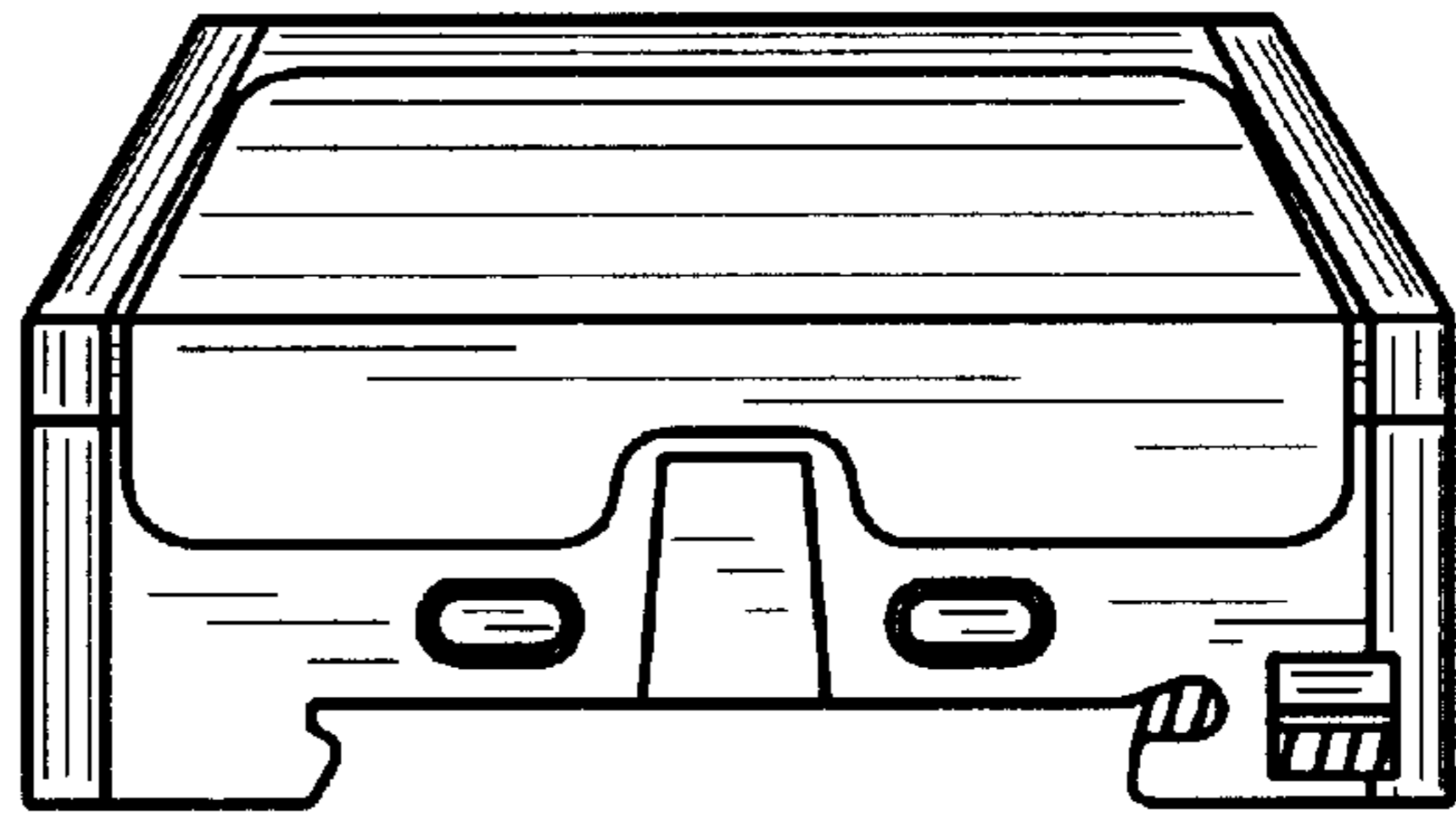


FIG. 4

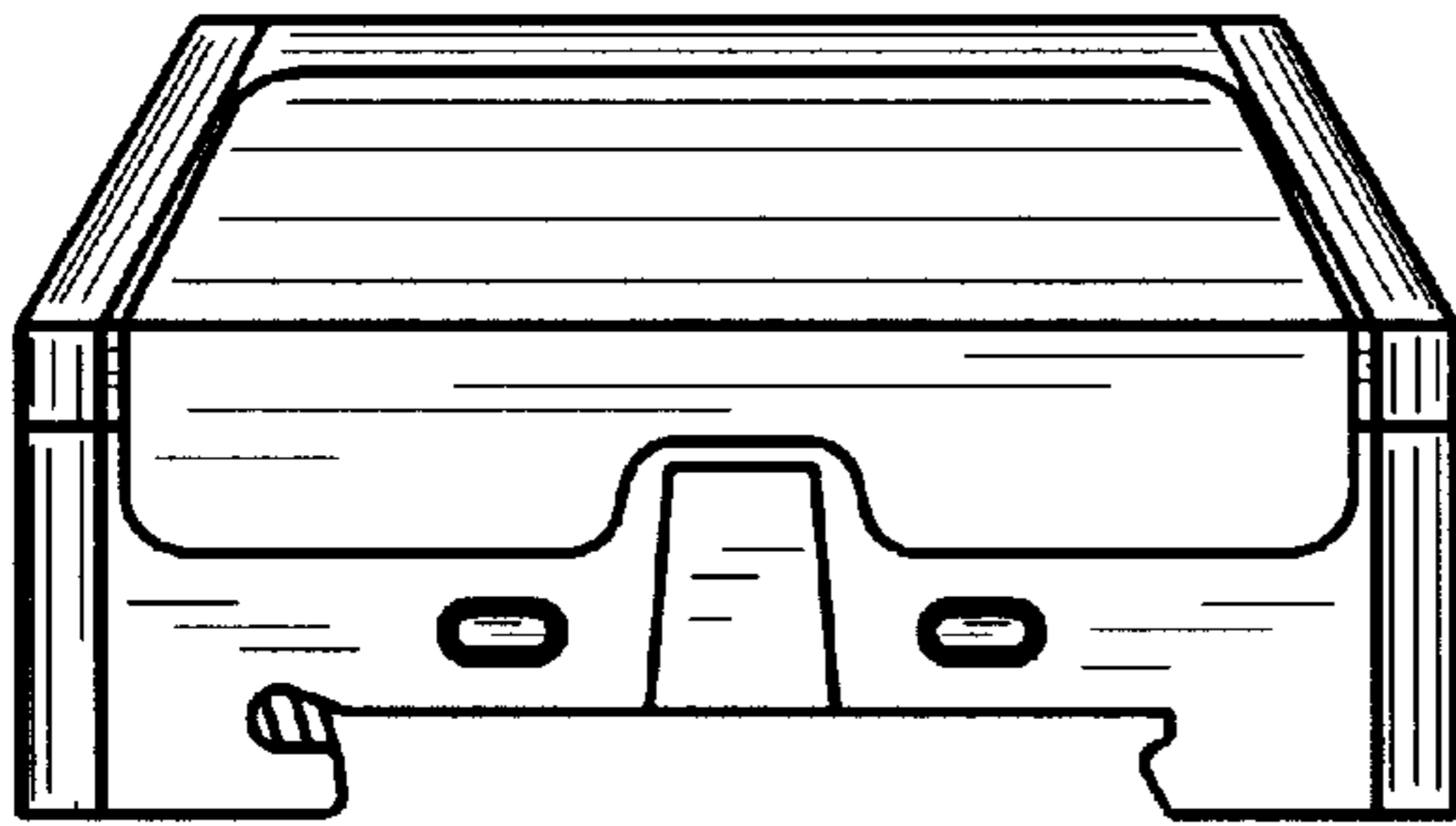


FIG. 5

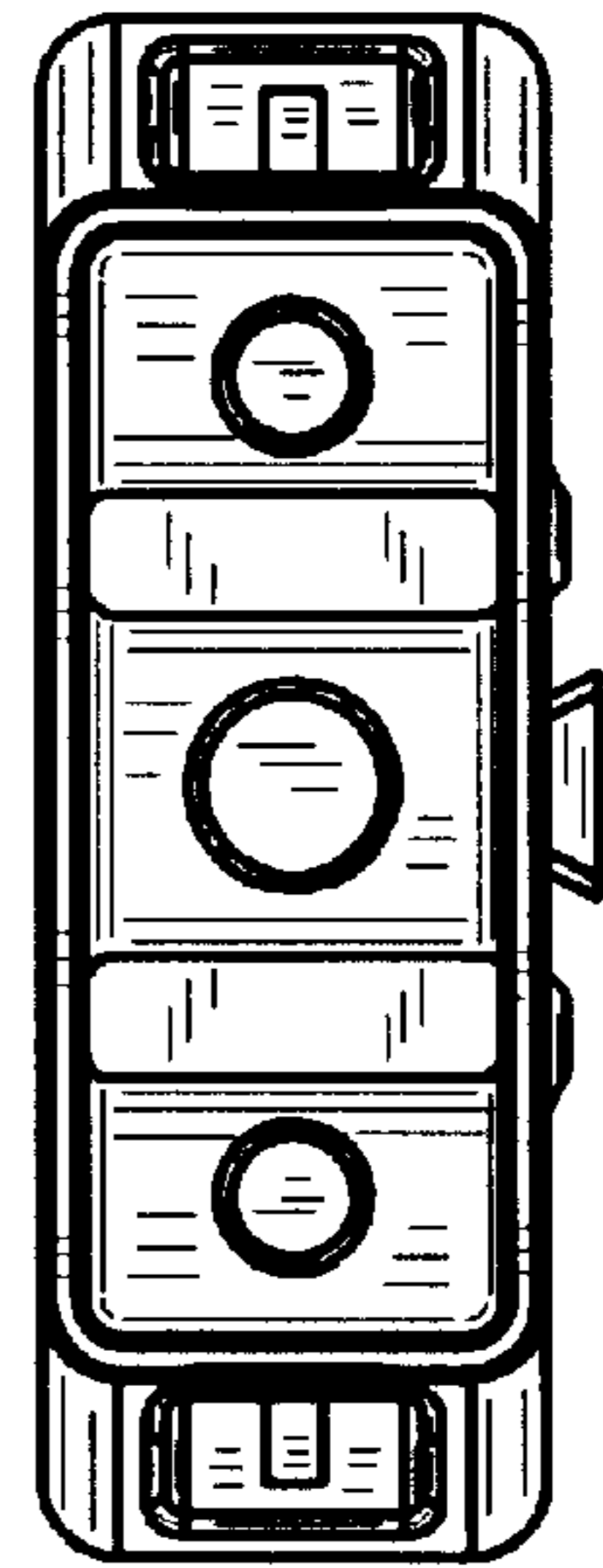


FIG. 6

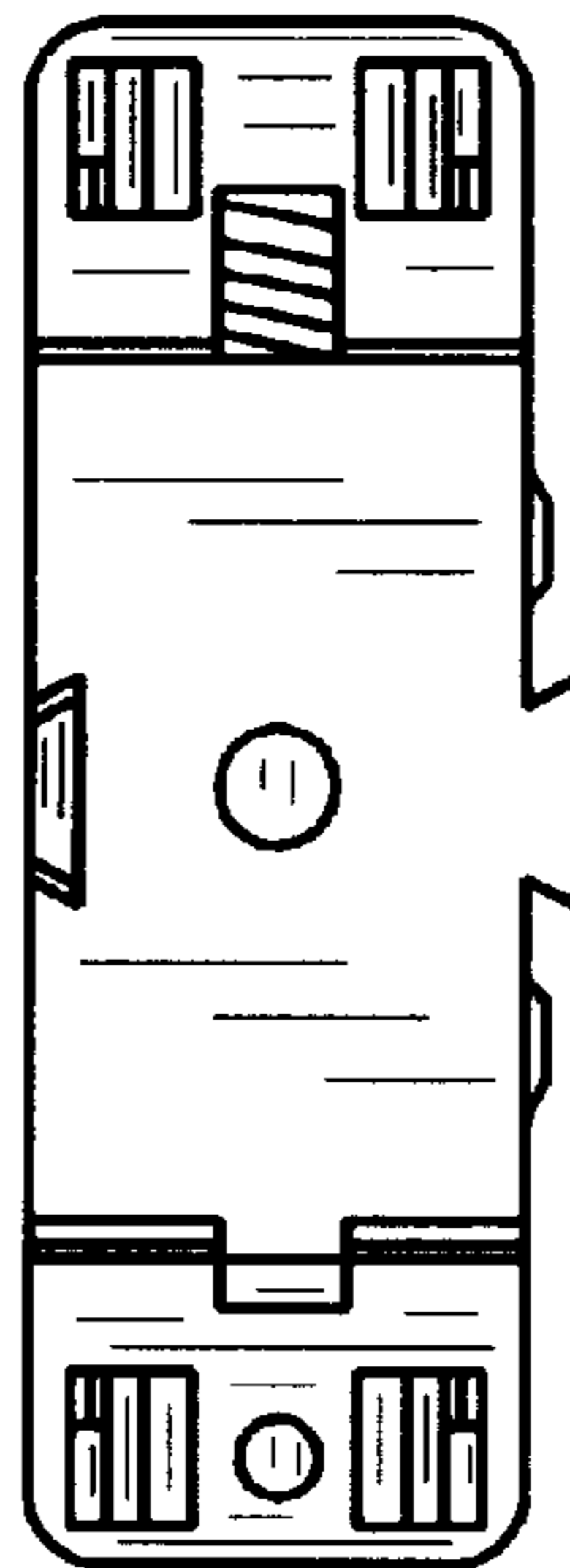


FIG. 7