



US00D429222S

United States Patent [19]

[11] **Patent Number: Des. 429,222**

Phillips et al.

[45] **Date of Patent: ** Aug. 8, 2000**

[54] LIGHT SWITCH EXTENSION

DESCRIPTION

[76] Inventors: **Charles Bryan Phillips; Misty Charise Phillips**, both of 7608-9 Woods La., Cornelius, N.C. 28031

FIG. 1 is a perspective view of a preferred embodiment of a light switch extension, showing our new design. The light switch on which it is mounted is shown in dotted lines which form no part of the invented design.

[**] Term: **14 Years**

FIG. 2 is a front elevational view of the design of FIG. 1; FIG. 3 is a right side elevational view thereof;

[21] Appl. No.: **29/102,117**

FIG. 4 is a top plan view thereof;

[22] Filed: **Mar. 18, 1999**

FIG. 5 is a rear elevational view thereof;

[51] **LOC (7) Cl. 13-03**

FIG. 6 is a left side elevational view thereof; and,

[52] **U.S. Cl. D13/173**

FIG. 7 is a bottom plan view thereof.

[58] **Field of Search D13/173; 200/329, 200/330, 331, 332**

FIG. 8 is a perspective view of an alternative embodiment of a light switch extension, showing our new design. The light switch on which it is mounted is shown in dotted lines which form no part of the invented design.

[56] References Cited

U.S. PATENT DOCUMENTS

D. 334,563	4/1993	Burbage	D13/173
D. 355,643	2/1995	Warnock et al.	D13/173
D. 400,185	10/1998	Martello	D13/173
3,175,420	3/1965	Craig	200/331 X
5,498,845	3/1996	Browning	200/331

FIG. 9 is a front elevational view of the design of FIG. 8;

FIG. 10 is a right side elevational view thereof;

FIG. 11 is a top plan view thereof;

FIG. 12 is a rear elevational view thereof;

FIG. 13 is a left side elevational view thereof; and,

FIG. 14 is a bottom plan view thereof.

Primary Examiner—Brian N. Vinson

Attorney, Agent, or Firm—Dougherty & Associates

The elongated element is shown broken-away in the views to indicate indeterminate length.

[57] CLAIM

The ornamental design for a light switch extension, as shown and described.

1 Claim, 6 Drawing Sheets

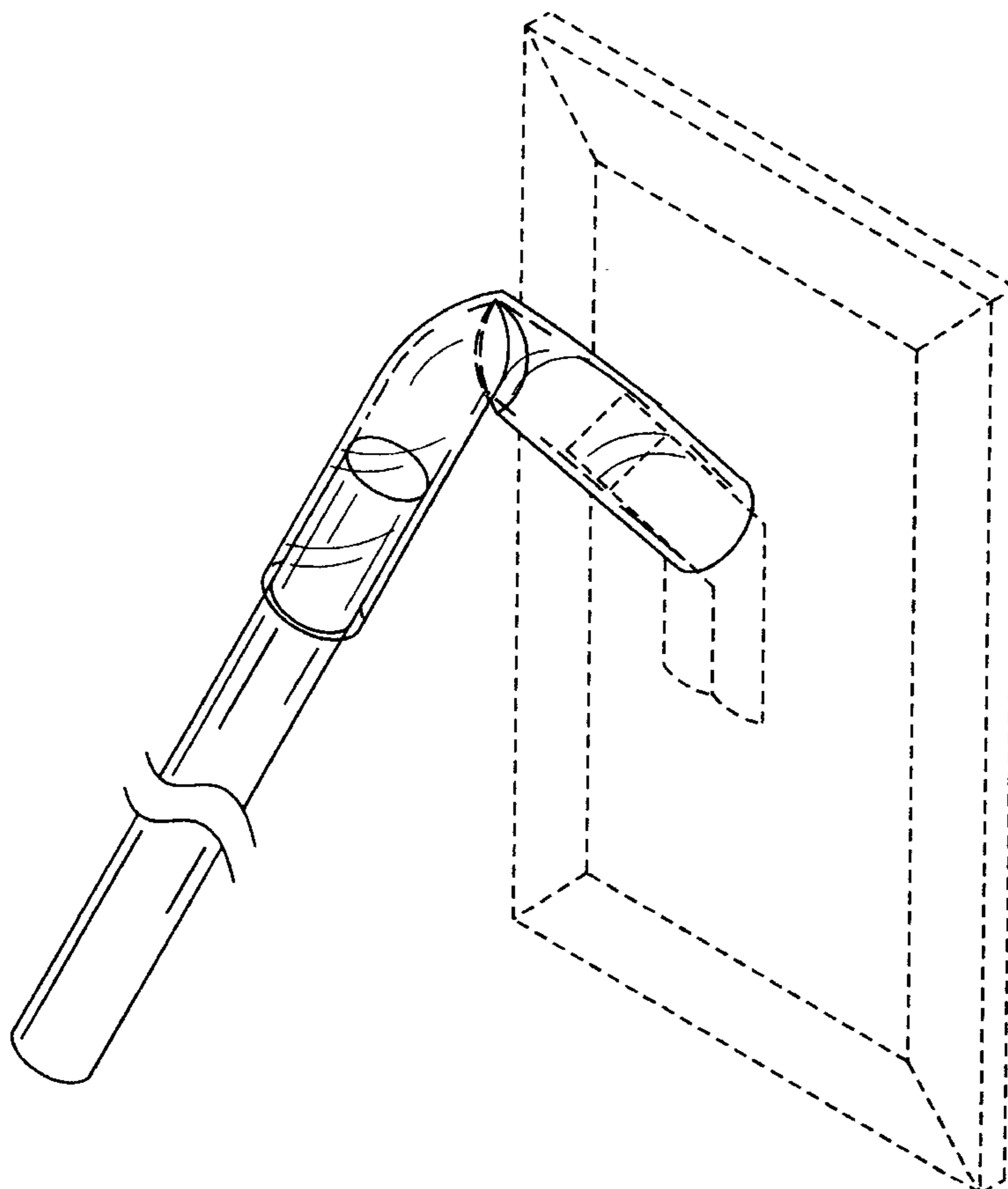
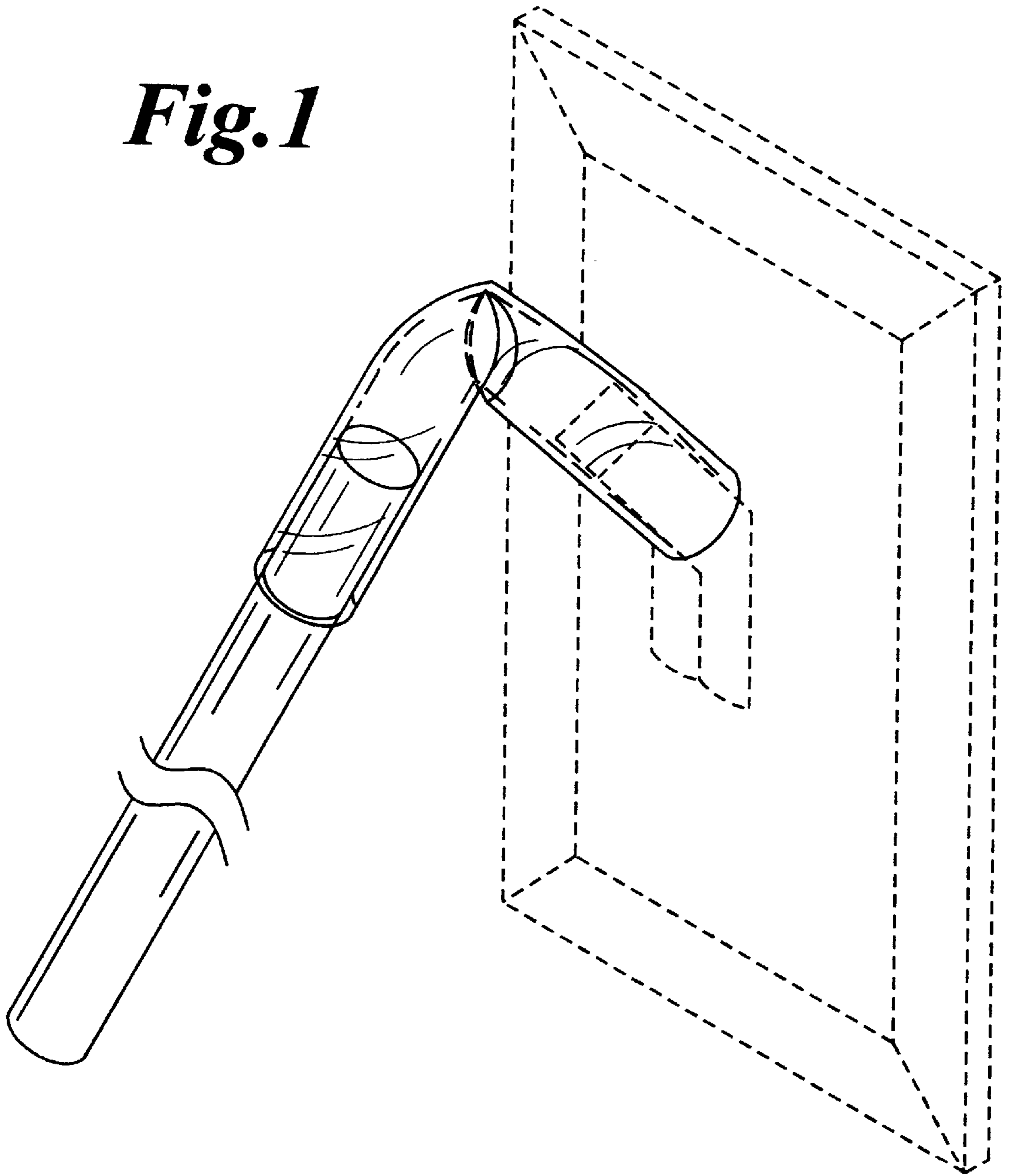


Fig. 1



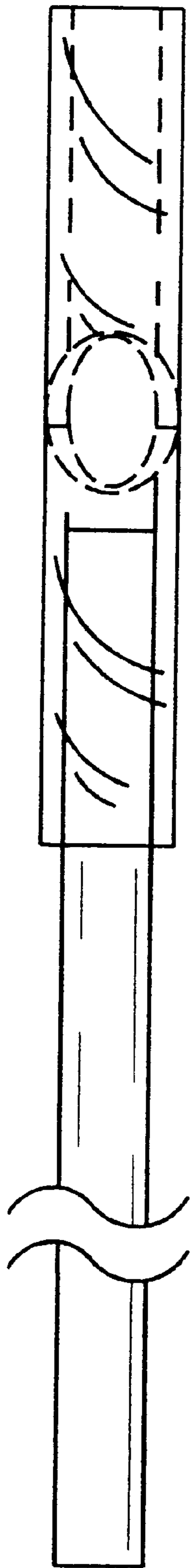


Fig. 2

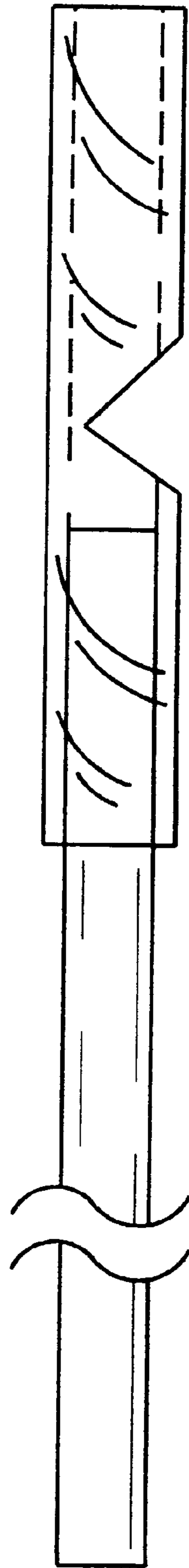


Fig. 3

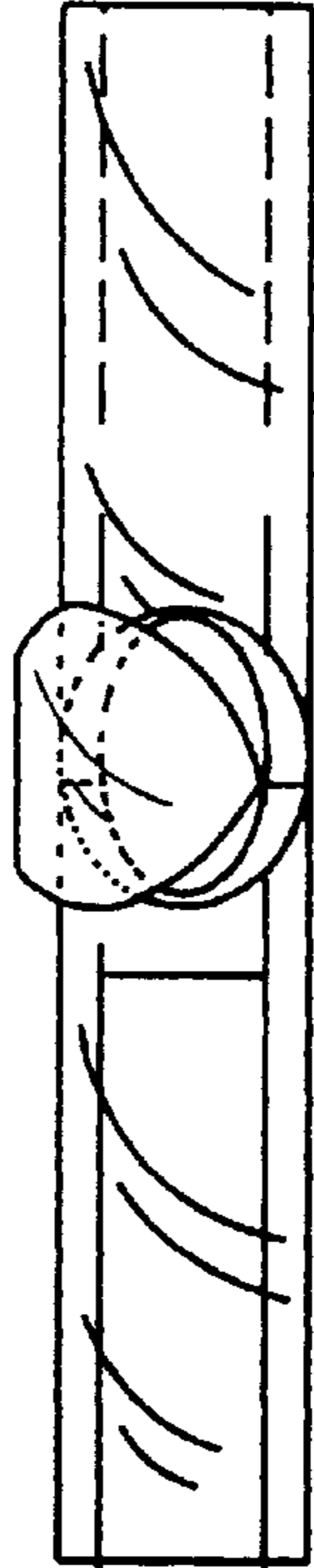
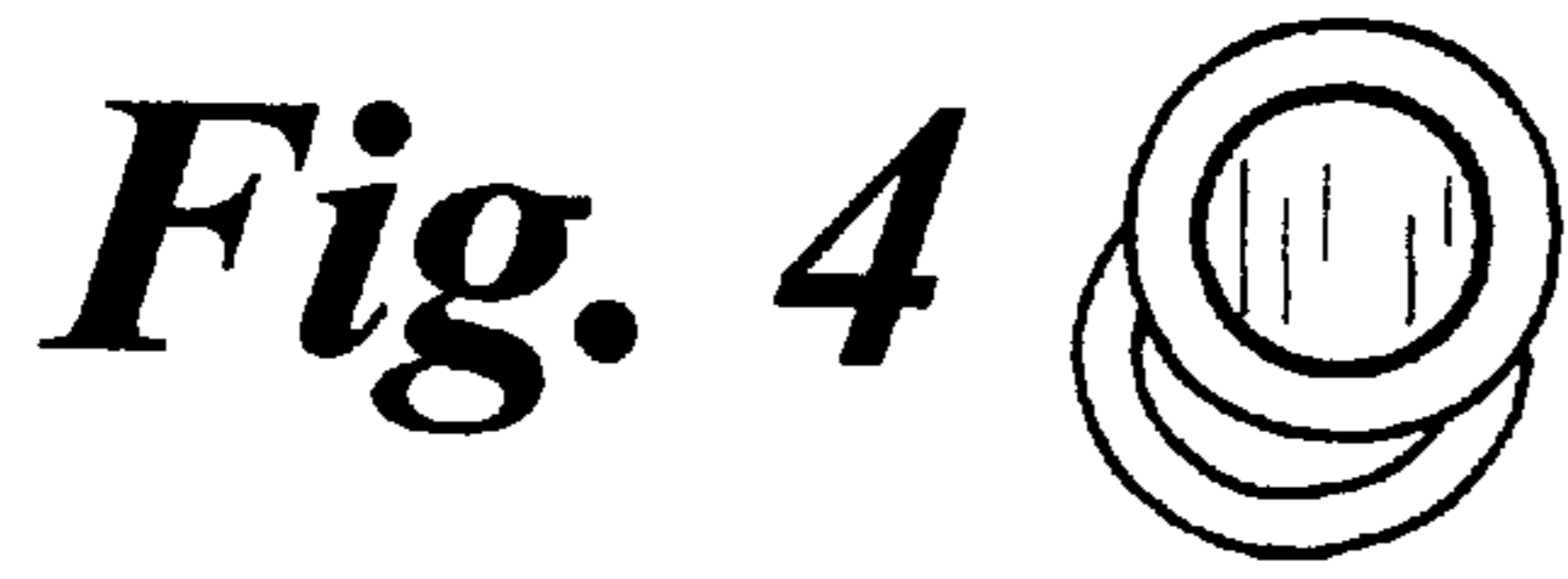


Fig. 5

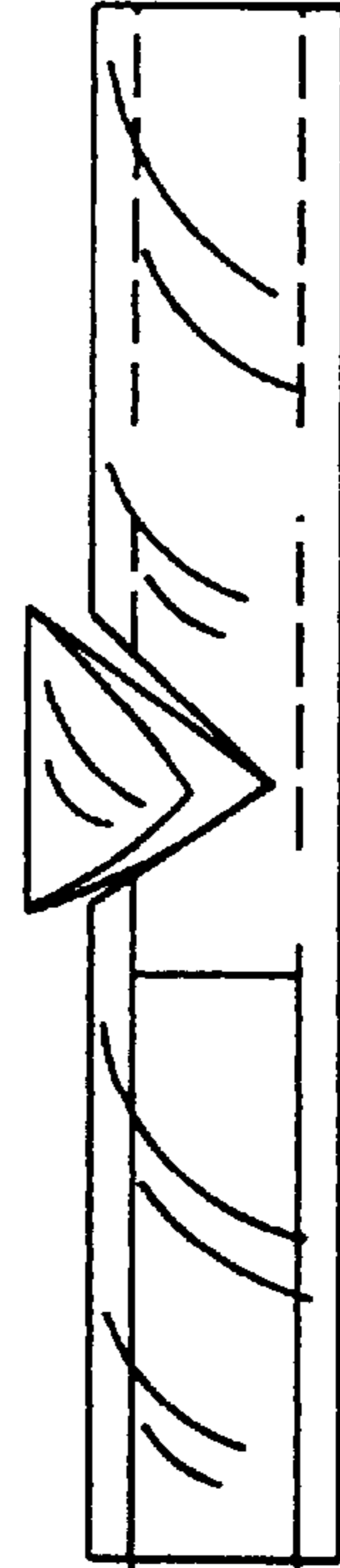
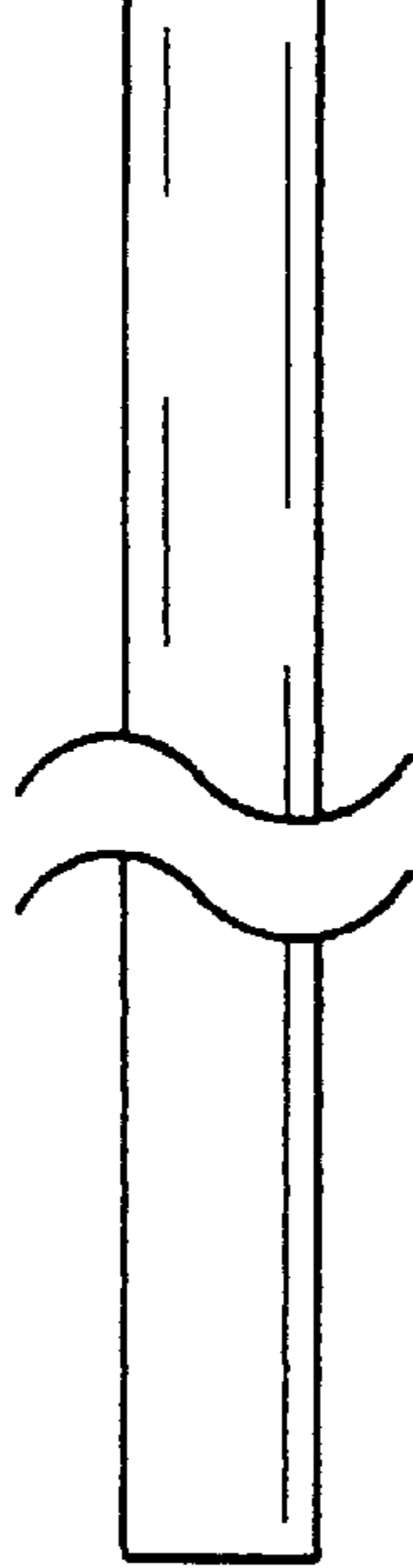


Fig. 6

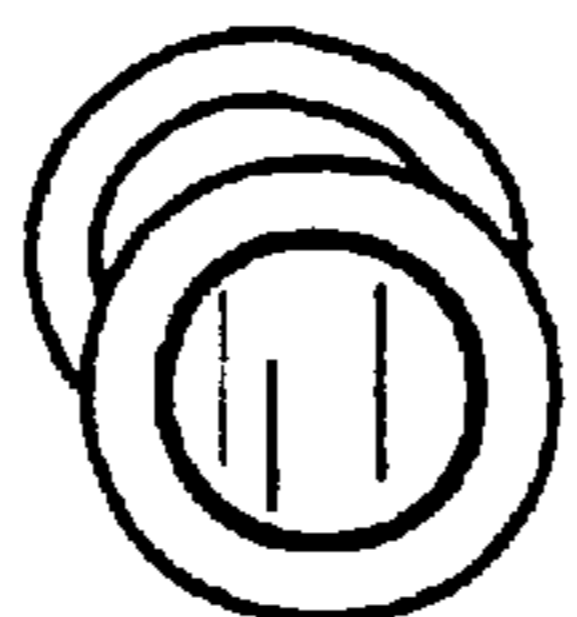
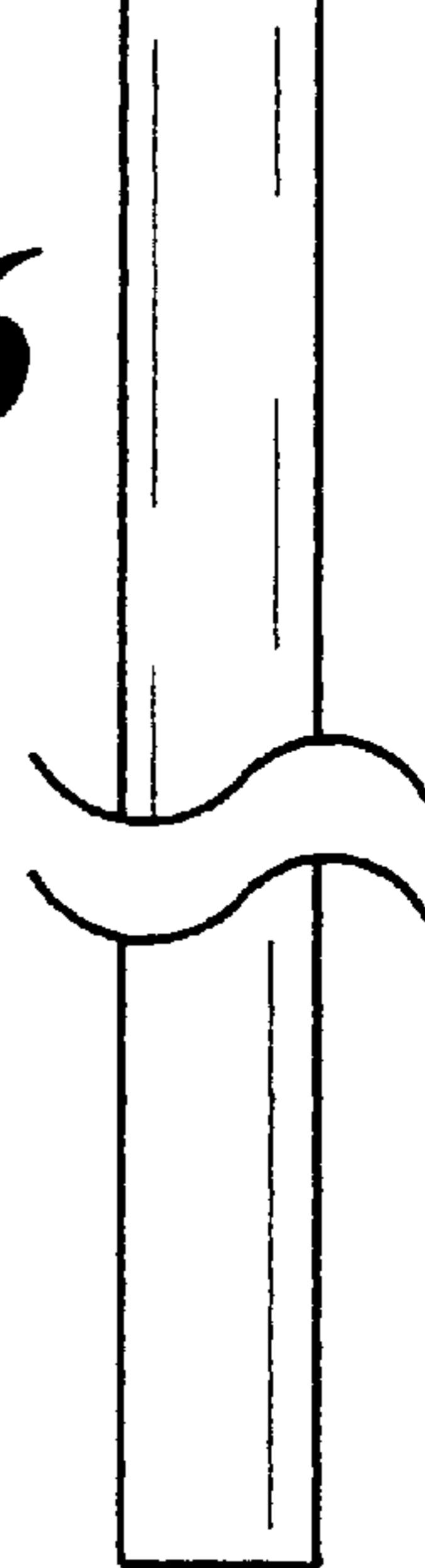
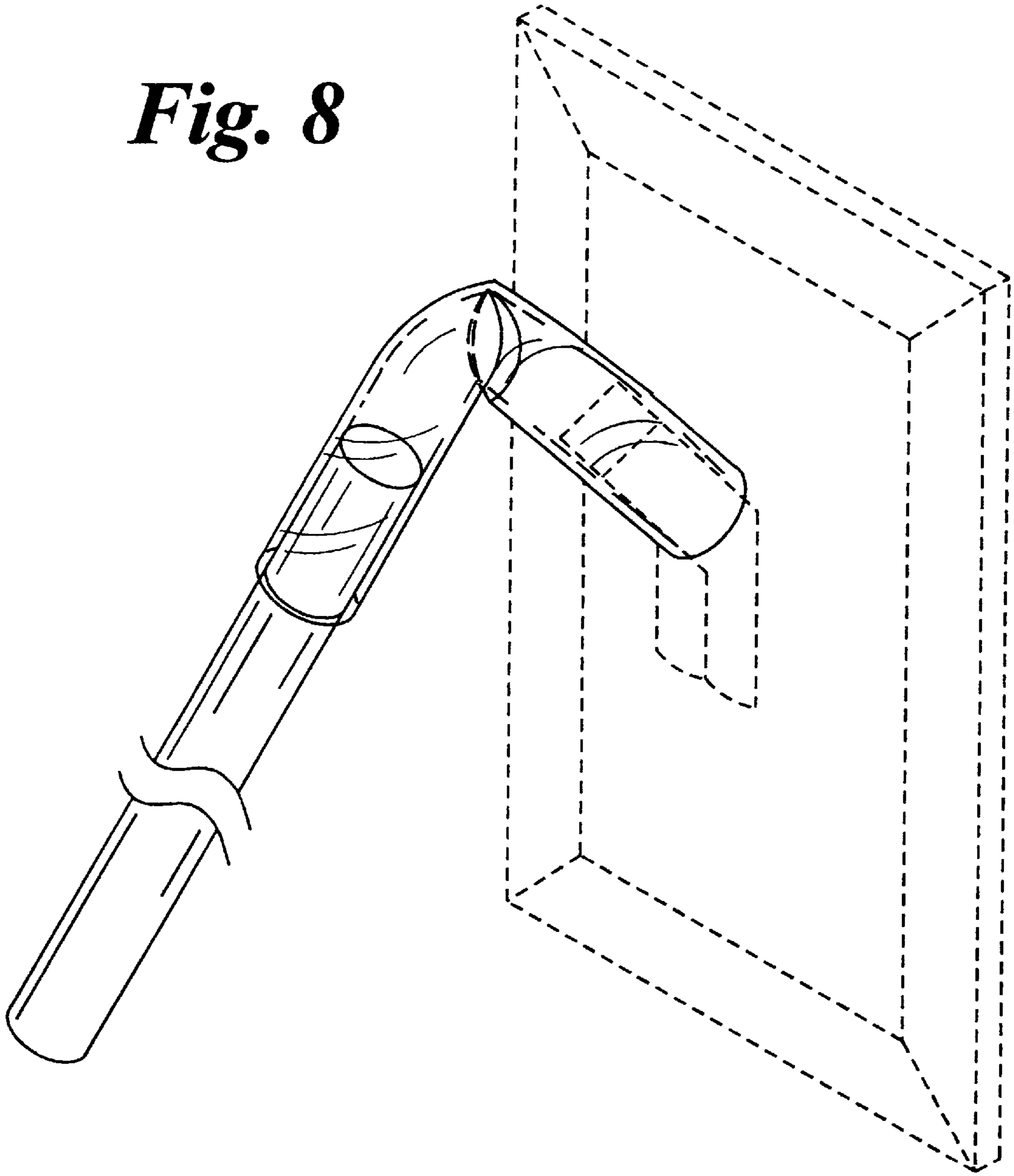


Fig. 7

Fig. 8



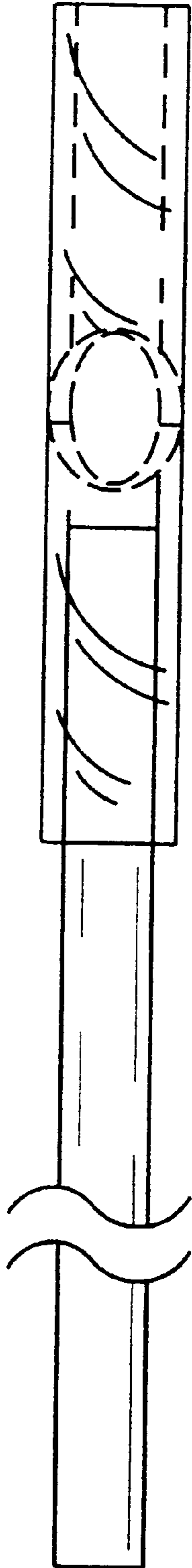


Fig. 9

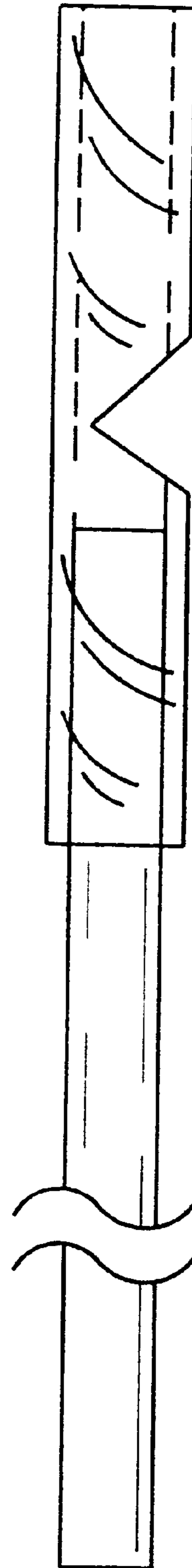



Fig. 10

Fig. 11 

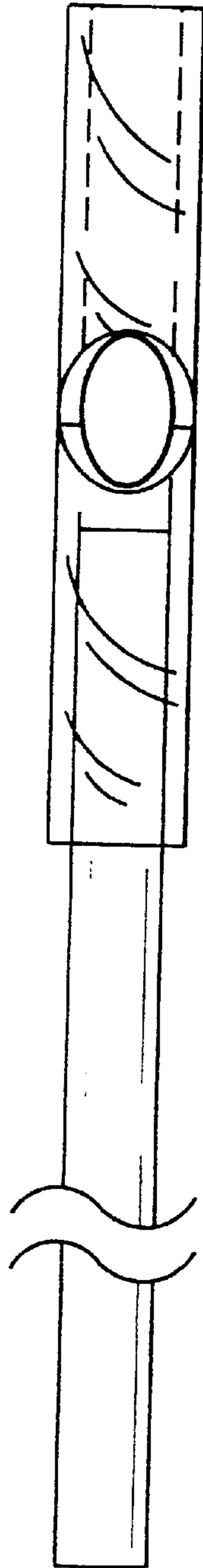


Fig. 12

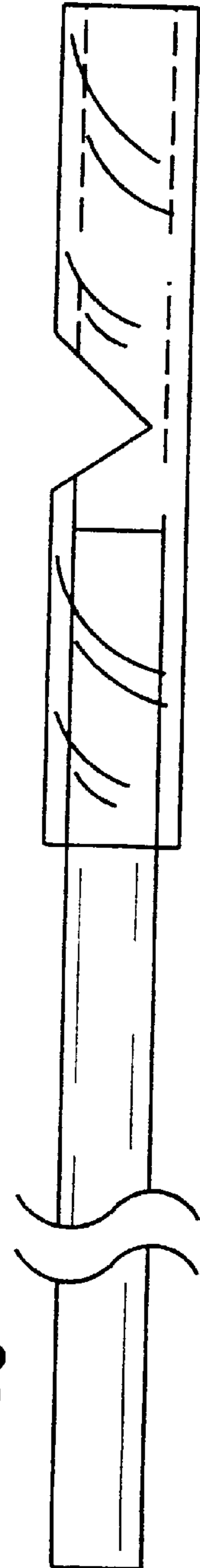


Fig. 13

Fig. 14 