



US00D429221S

United States Patent [19]

Picozza et al.

[11] Patent Number: **Des. 429,221**

[45] Date of Patent: **** Aug. 8, 2000**

[54] **ELECTRIC BLANKET CONTROLLER WITH CIRCULAR DIAL**

D. 361,058 8/1995 Domel et al. D13/168
D. 391,229 2/1998 Thomas D13/168

[75] Inventors: **Augusto A. Picozza**, Boca Raton, Fla.;
Charles F. T. Merritt, Southport,
Conn.

Primary Examiner—Brian N. Vinson
Attorney, Agent, or Firm—Kramer Levin Naftalis and
Frankel LLP

[73] Assignee: **Sunbeam Products, Inc.**, Boca Raton,
Fla.

[57] **CLAIM**

[**] Term: **14 Years**

The ornamental design for an electric blanket controller with circular dial, as shown and described.

[21] Appl. No.: **29/105,251**

DESCRIPTION

[22] Filed: **May 19, 1999**

FIG. 1 is a top, right side and front perspective view of the electric blanket controller with circular dial showing our new design;

[51] **LOC (7) Cl.** **14-03**

[52] **U.S. Cl.** **D13/168**

[58] **Field of Search** D13/168; 340/825.31,
340/825.57, 825.69, 825.72; 341/176; 362/109;
348/724

FIG. 2 is a top plan view thereof;

FIG. 3 is a bottom plan view thereof;

FIG. 4 is a right side elevational view thereof;

FIG. 5 is a left side elevational view thereof;

FIG. 6 is a front elevational view thereof; and,

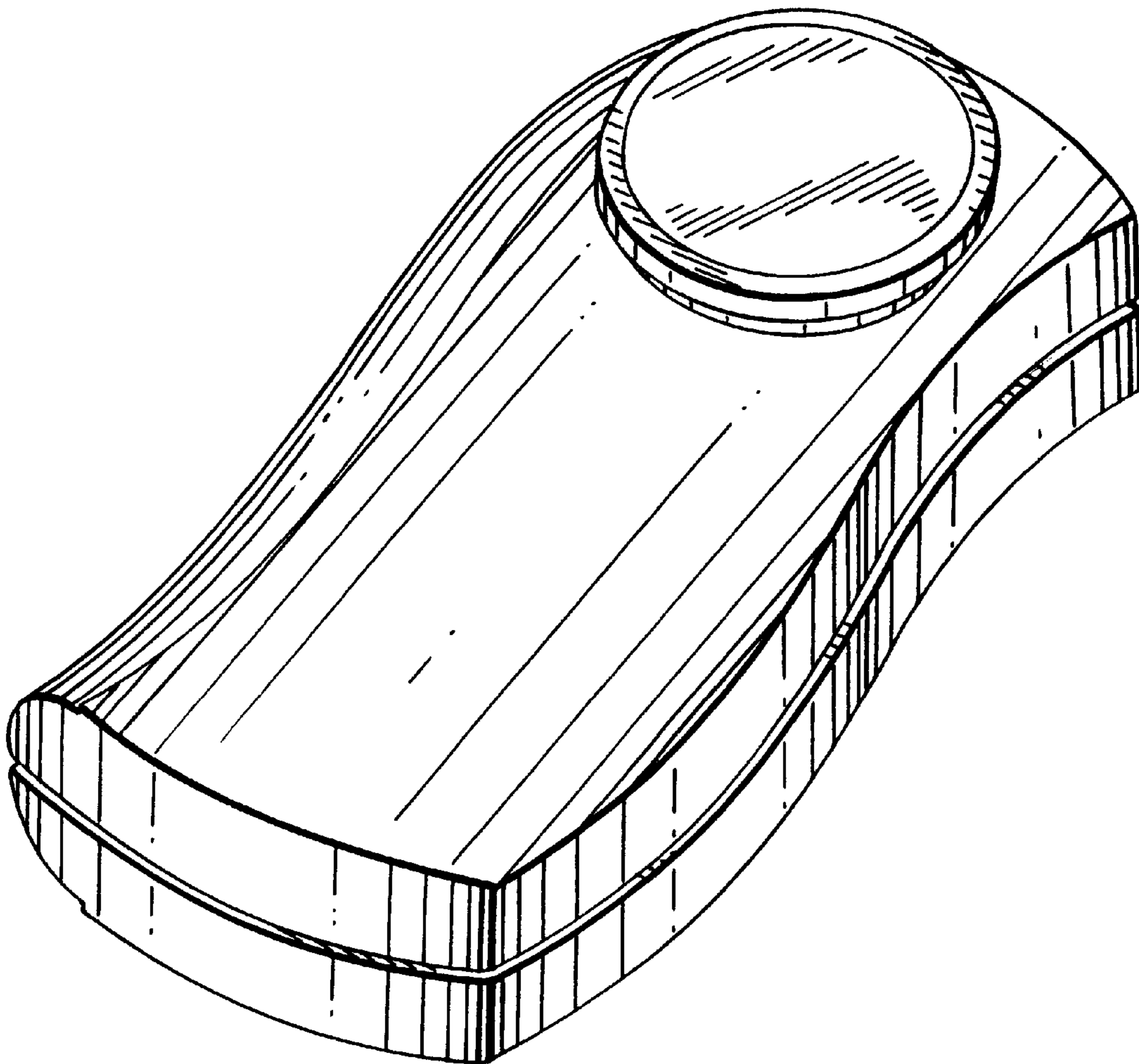
FIG. 7 is a rear elevational view thereof.

[56] **References Cited**

U.S. PATENT DOCUMENTS

D. 322,244 12/1991 Bishai D13/168

1 Claim, 5 Drawing Sheets



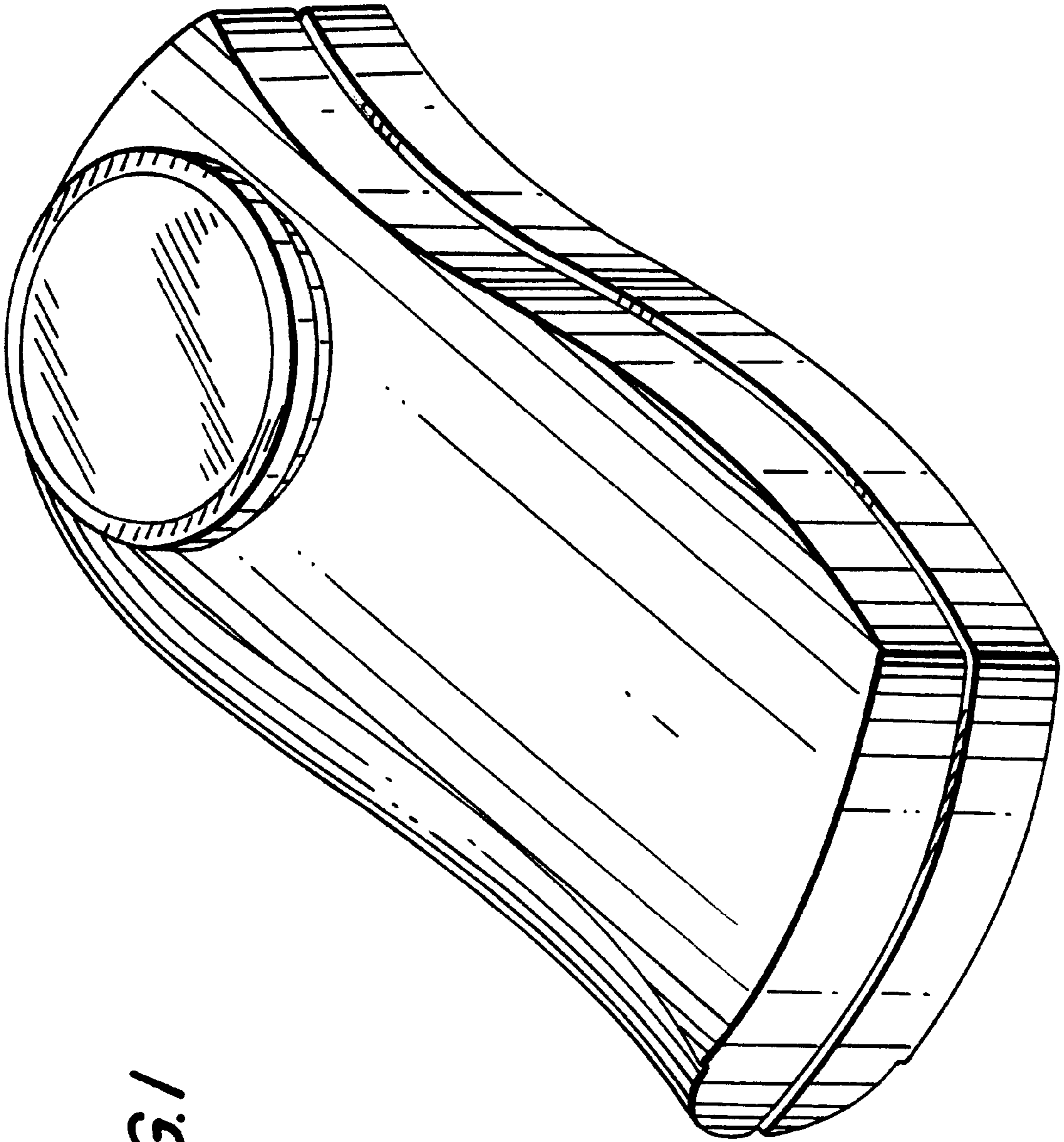


FIG. 1

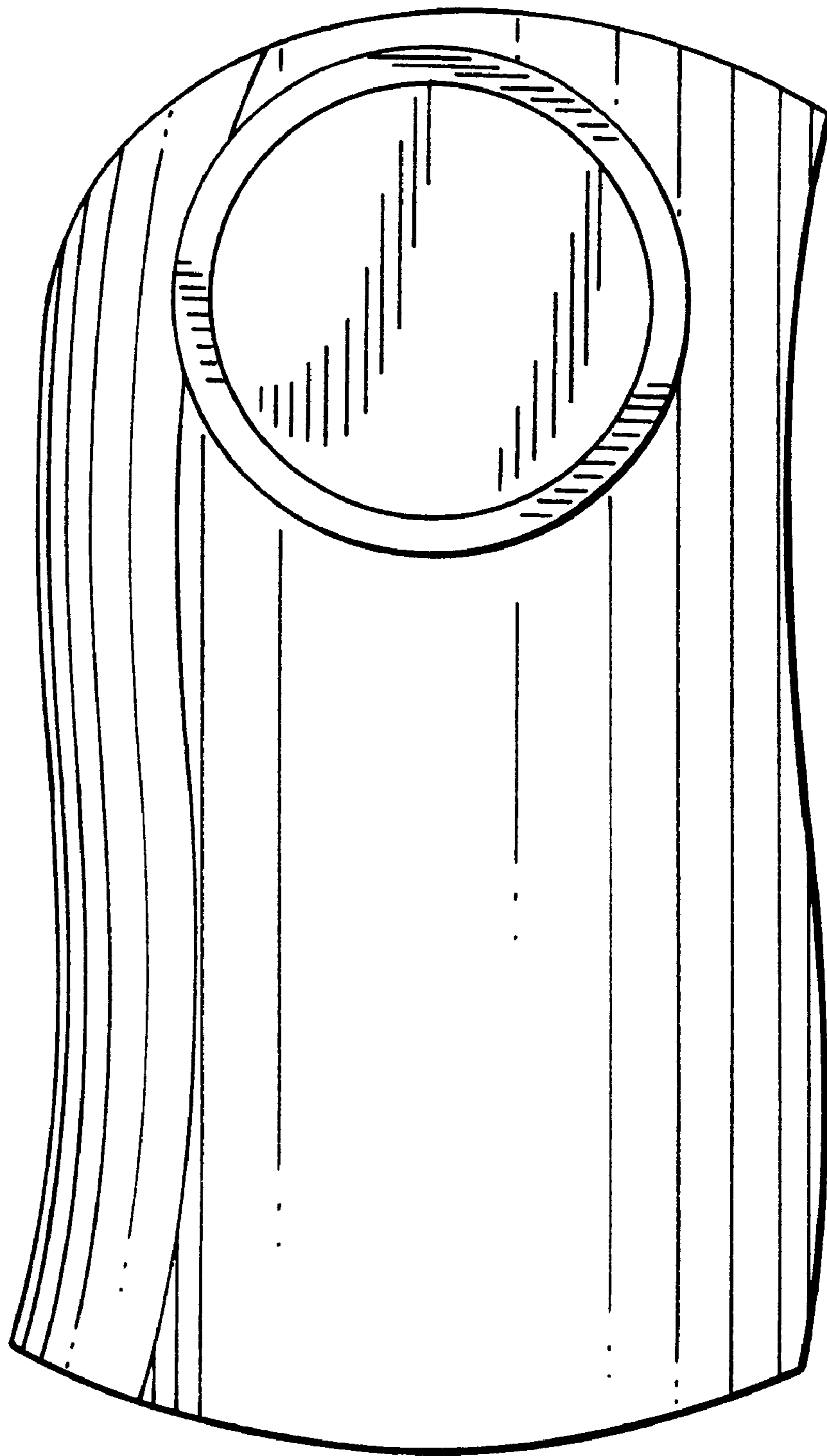


FIG. 2

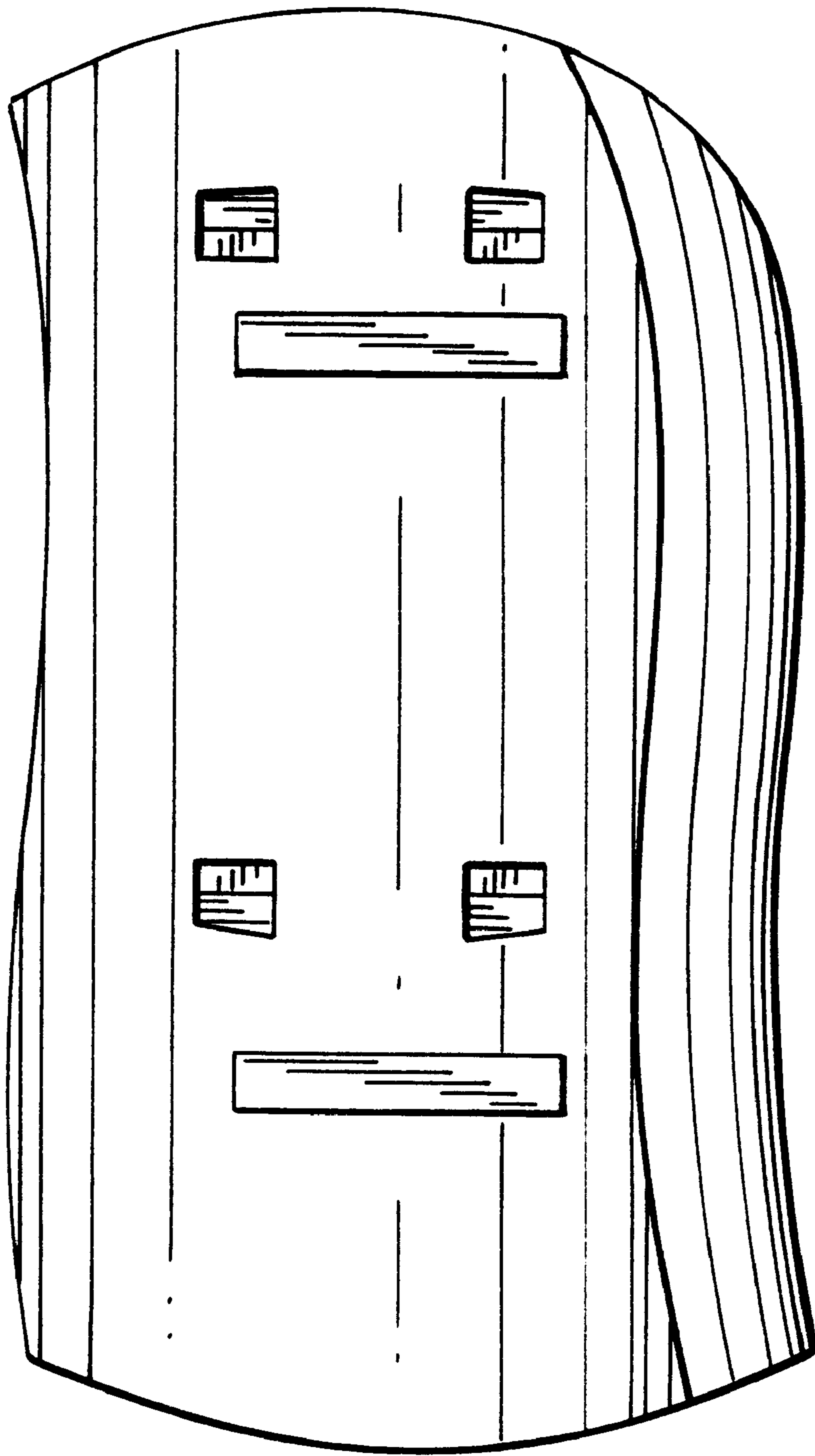


FIG. 3

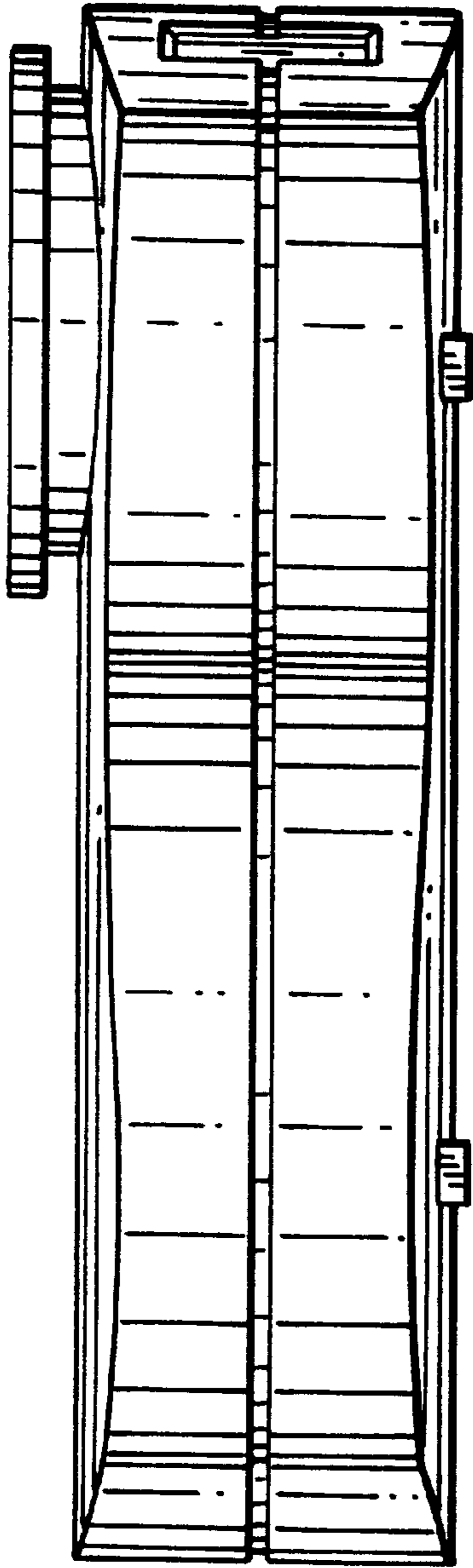


FIG. 4

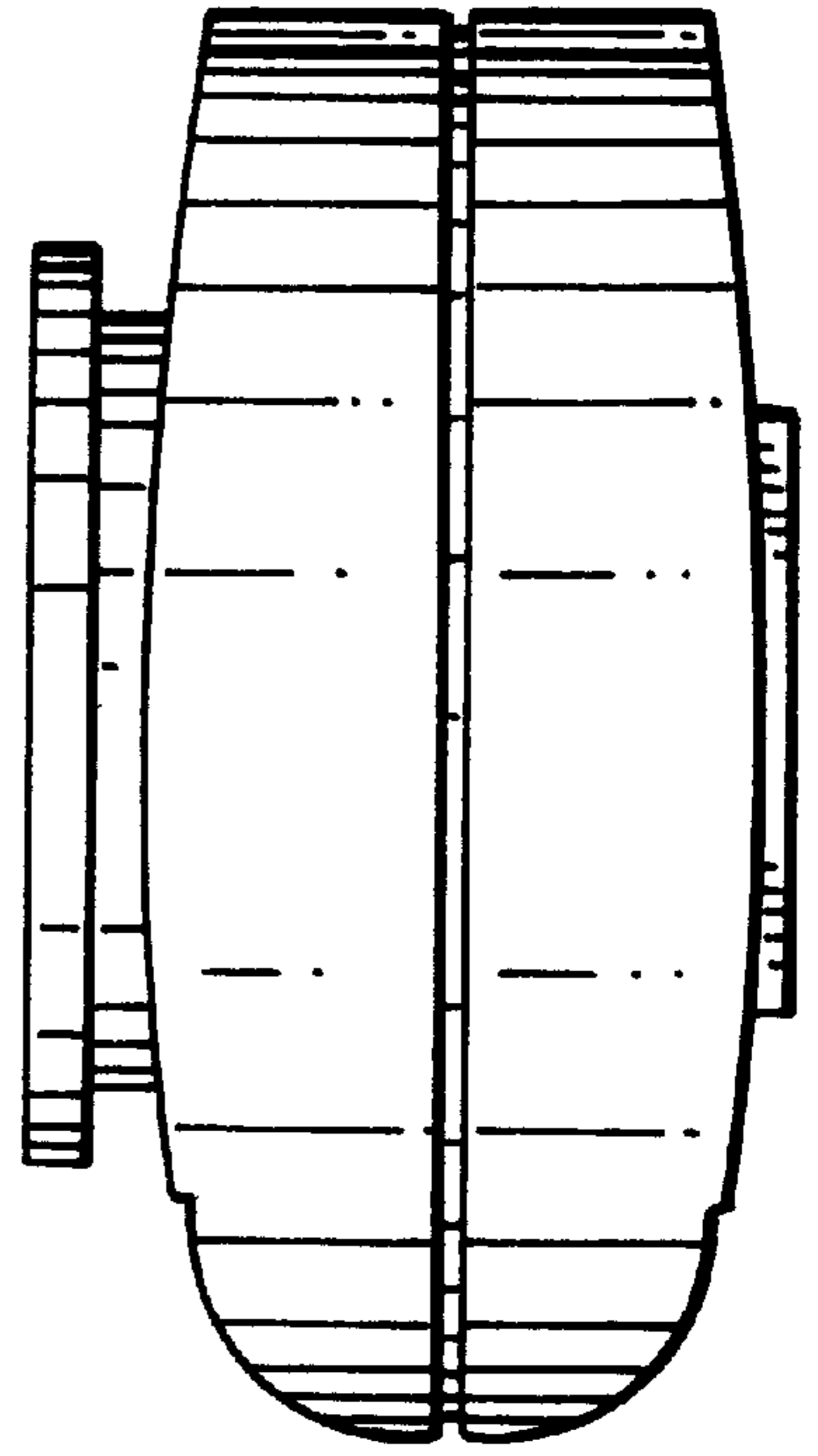


FIG. 6

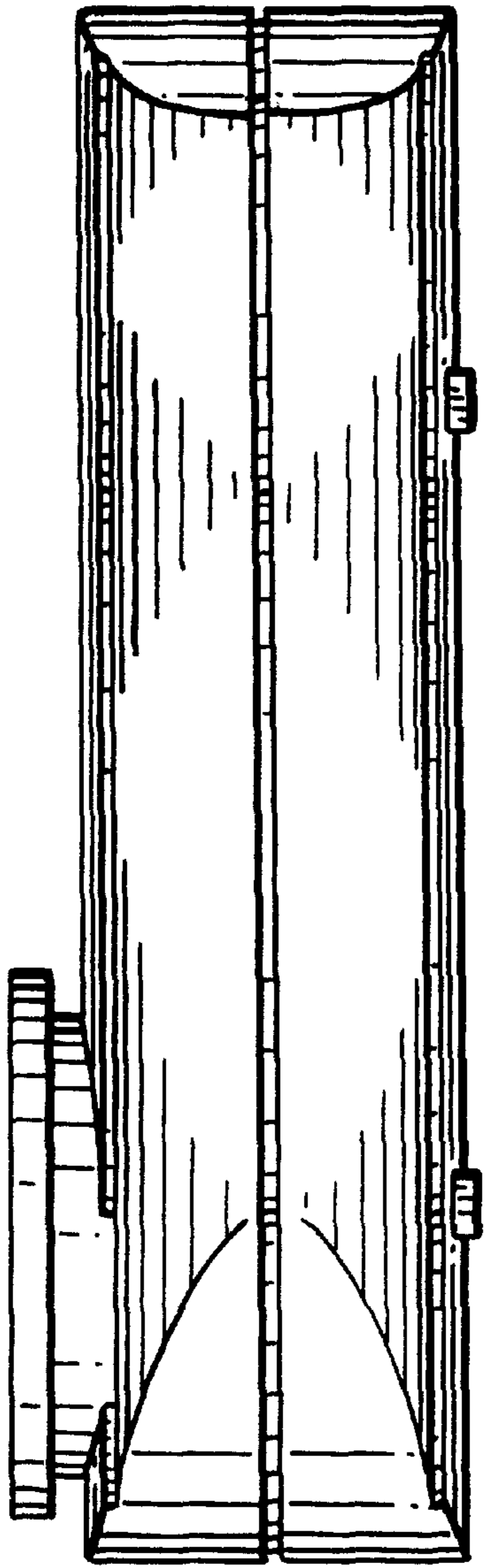


FIG. 5

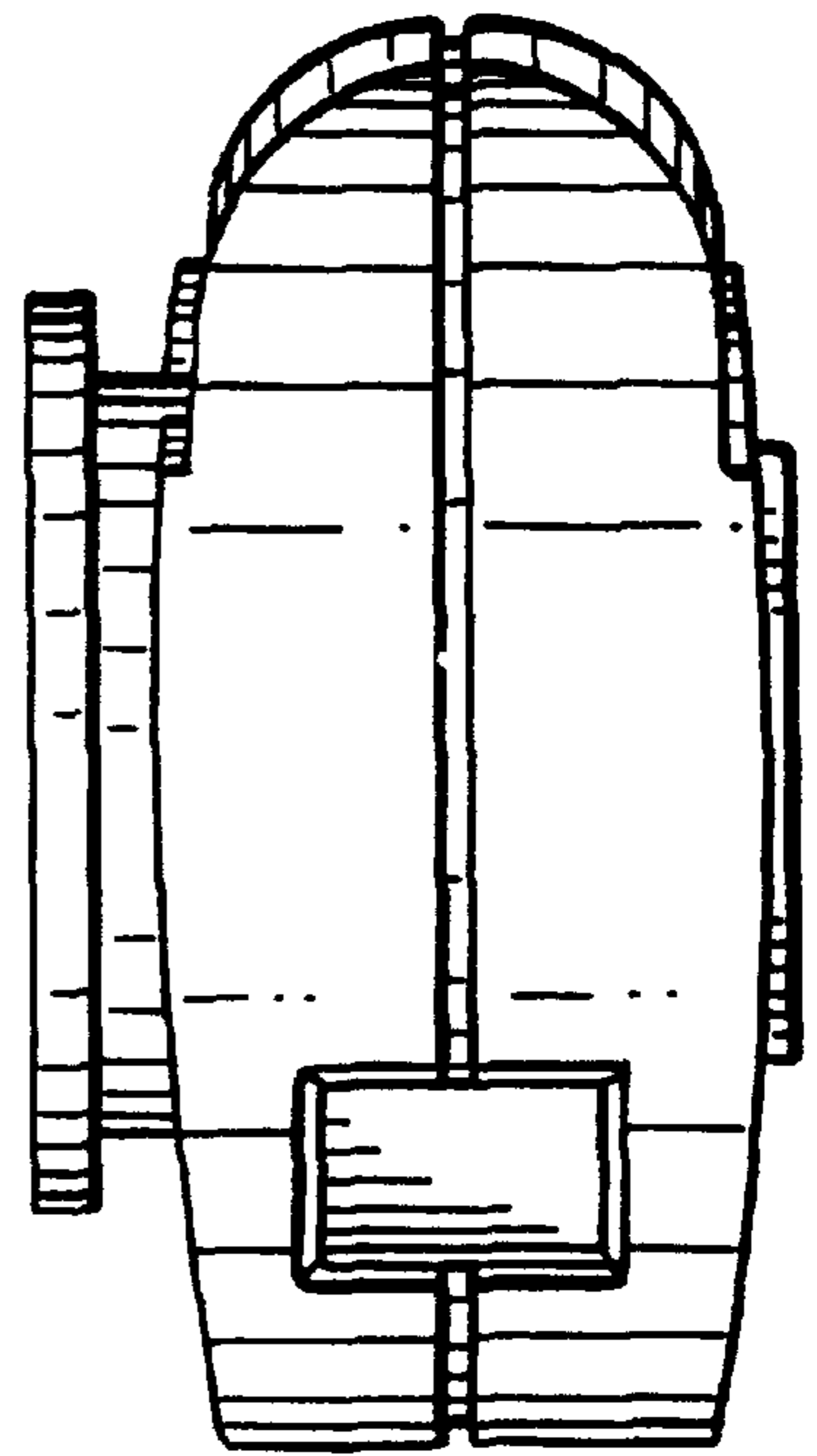


FIG. 7