



US00D429219S

United States Patent [19] Chiou

[11] **Patent Number: Des. 429,219**

[45] **Date of Patent: ** Aug. 8, 2000**

[54] **ELECTRICAL CONNECTOR**

[75] Inventor: **Song-Rong Chiou**, Lin-Kou, Taiwan

[73] Assignee: **Hon Hai Precision Ind. Co., Ltd.**,
Taipei Hsien, Taiwan

[**] Term: **14 Years**

[21] Appl. No.: **29/098,487**

[22] Filed: **Dec. 28, 1998**

[30] **Foreign Application Priority Data**

Jul. 23, 1998 [TW] Taiwan 87305356

[51] **LOC (7) Cl.** **13-03**

[52] **U.S. Cl.** **D13/147**

[58] **Field of Search** D13/147; 439/59,
439/61, 62, 76.1, 607, 630, 632, 634, 636,
637, 660, 79, 83

5,277,597 1/1994 Masami et al. 439/83
 5,316,486 5/1994 Tanaka et al. 439/62
 5,322,447 6/1994 Okada 439/79
 5,382,168 1/1995 Azuma et al. 439/79 X

Primary Examiner—Joel Sincavage

[57] CLAIM

The ornamental design for an electrical connector, as shown and described.

DESCRIPTION

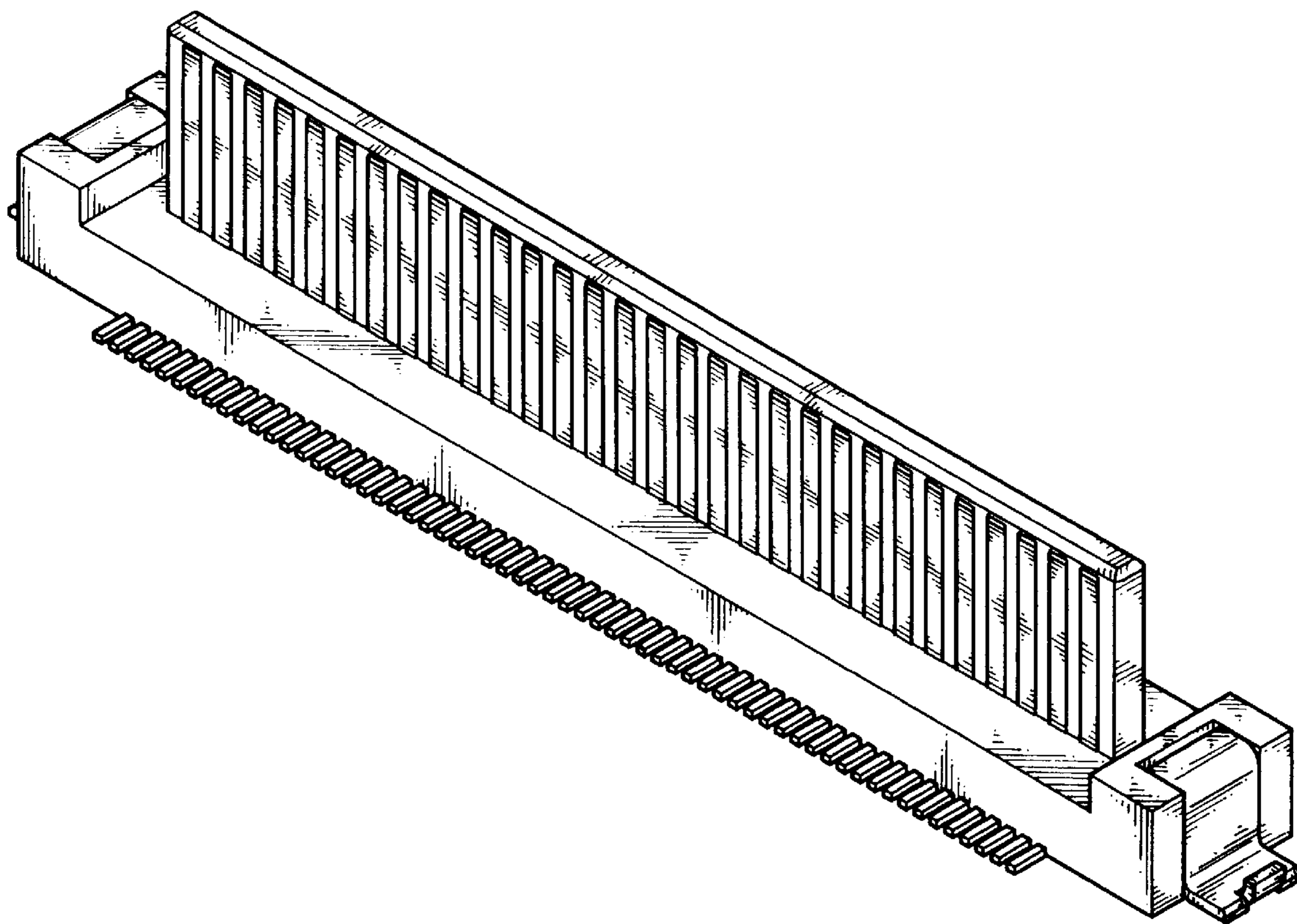
FIG. 1 is a perspective view of an electrical connector showing my new design;
 FIG. 2 is a front elevational view thereof;
 FIG. 3 is a rear elevational view thereof;
 FIG. 4 is a left side elevational view thereof;
 FIG. 5 is a right side elevational view thereof;
 FIG. 6 is a top plan view thereof;
 FIG. 7 is a bottom plan view thereof; and,
 FIG. 8 is a perspective view of the electrical connector of FIG. 1 enclosed in a shielding.
 The broken line showing of the shielding in FIG. 8 is included for the purpose of illustrating environmental structure only and forms no part of the claimed design.

[56] **References Cited**

U.S. PATENT DOCUMENTS

D. 295,850 5/1988 Kikuta D13/147
 D. 379,620 6/1997 Aramaki D13/147
 D. 408,014 4/1999 Lai et al. D13/147

1 Claim, 5 Drawing Sheets



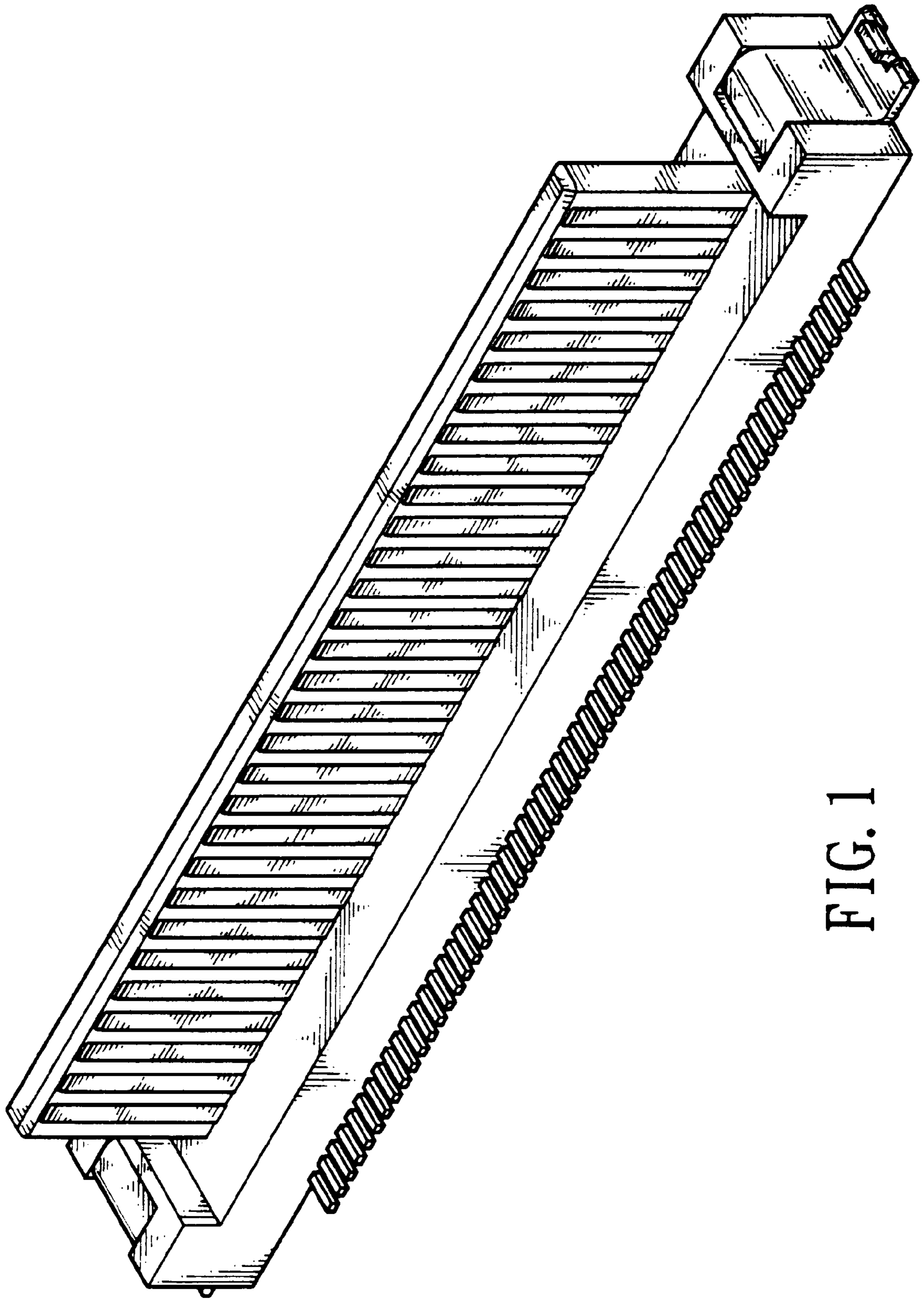


FIG. 1

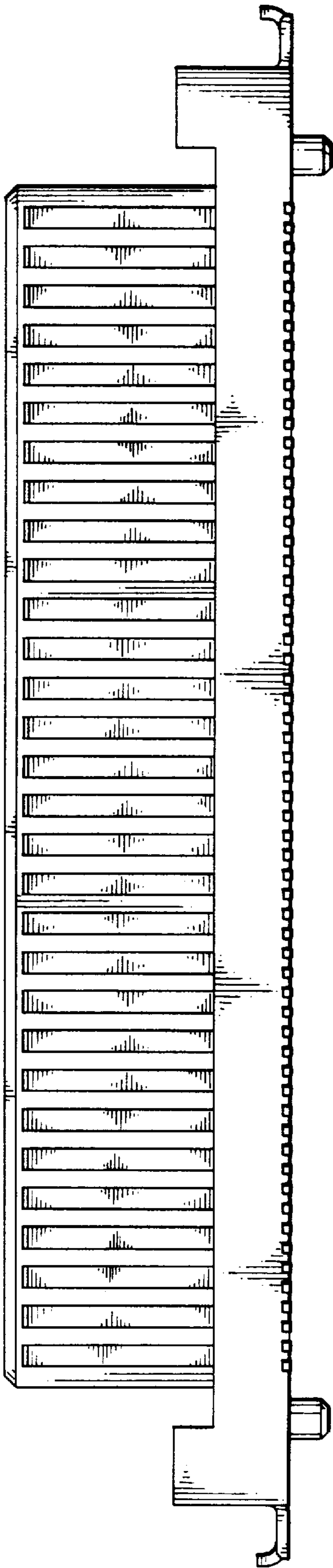


FIG. 2

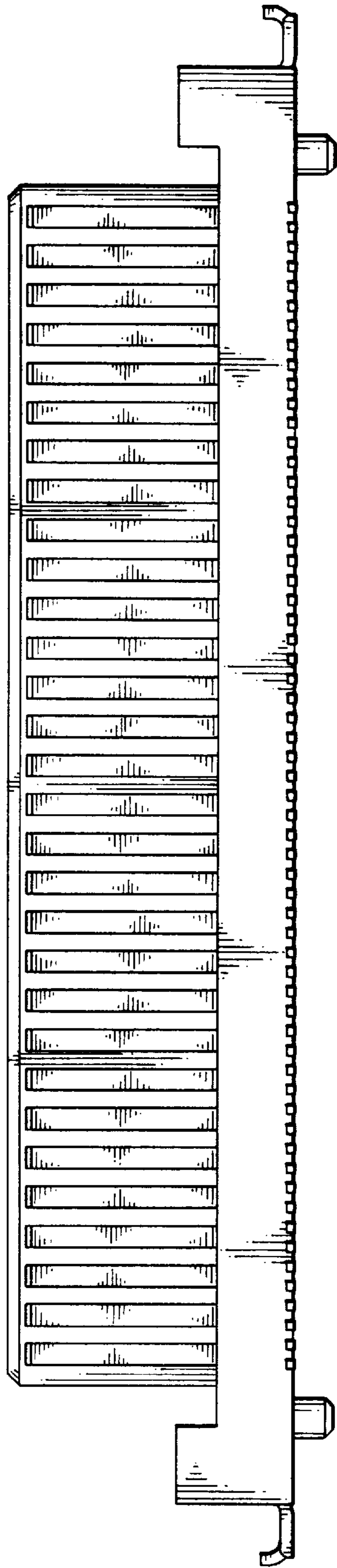


FIG. 3

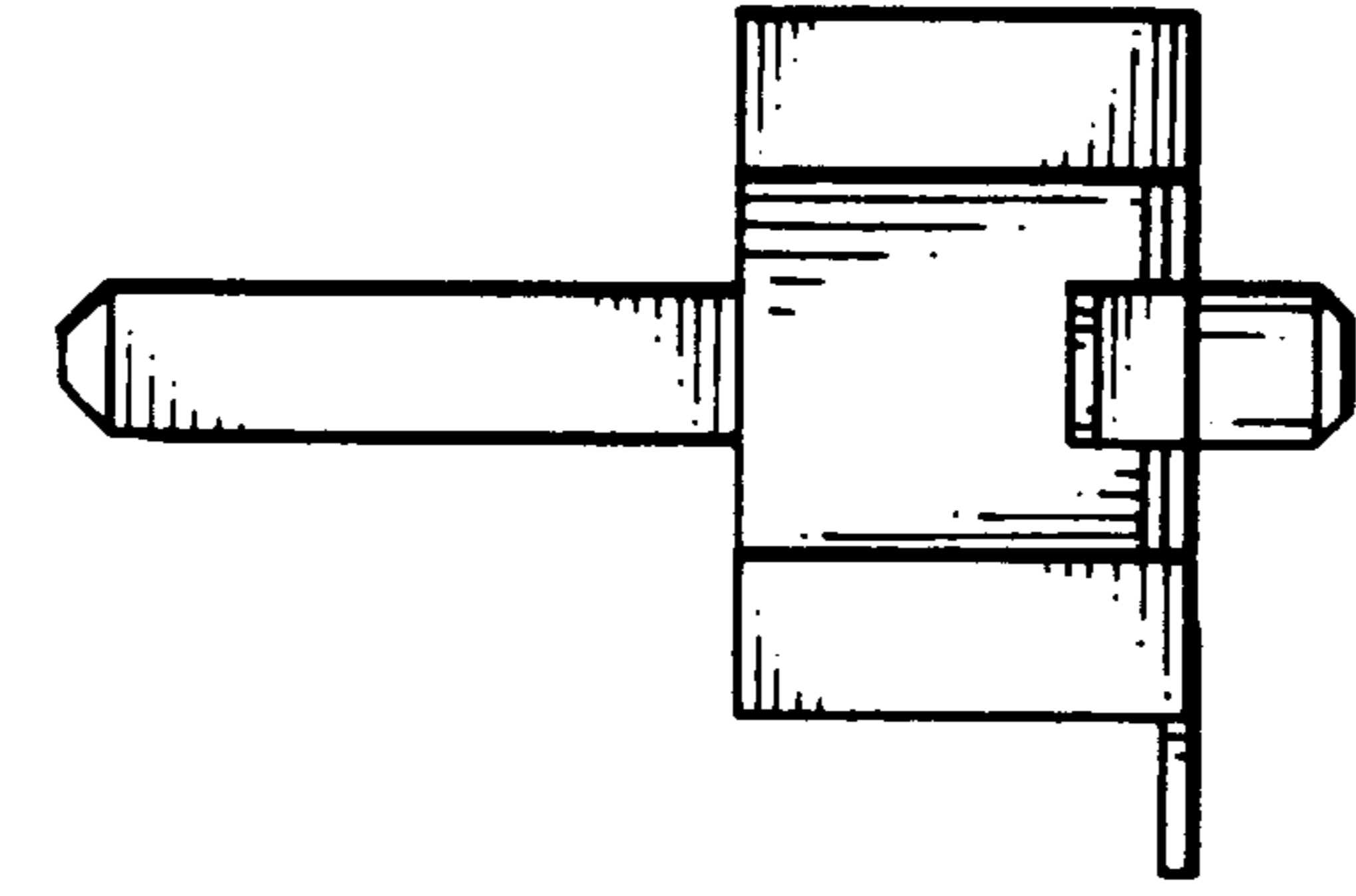


FIG. 5

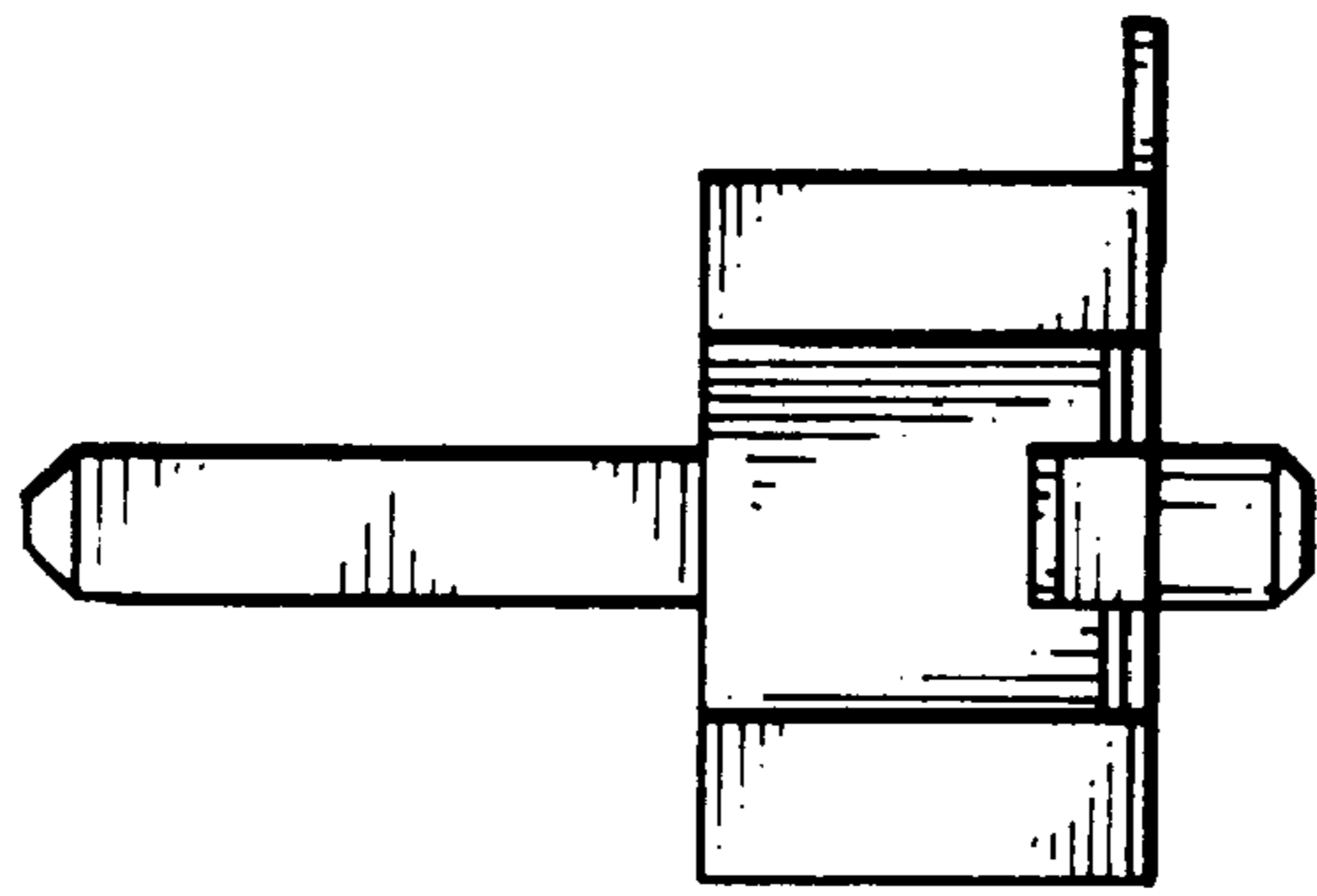


FIG. 4

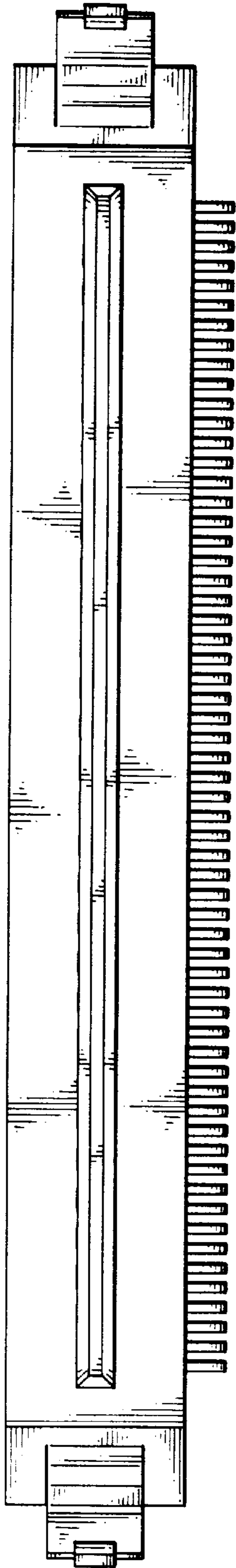


FIG. 6

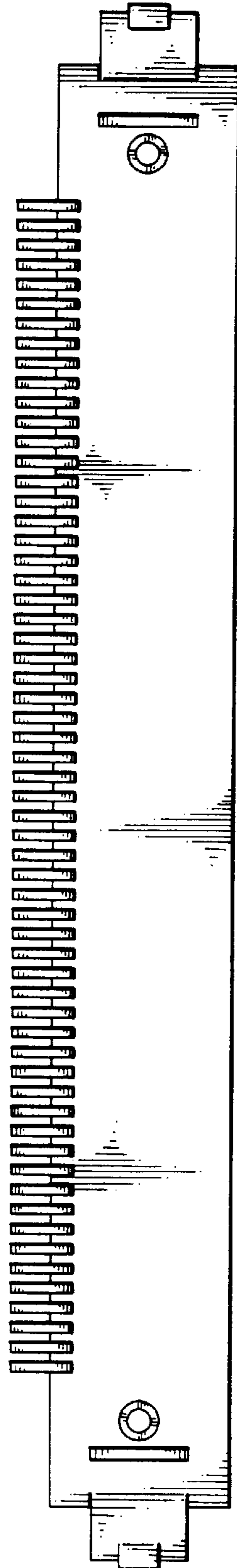


FIG. 7

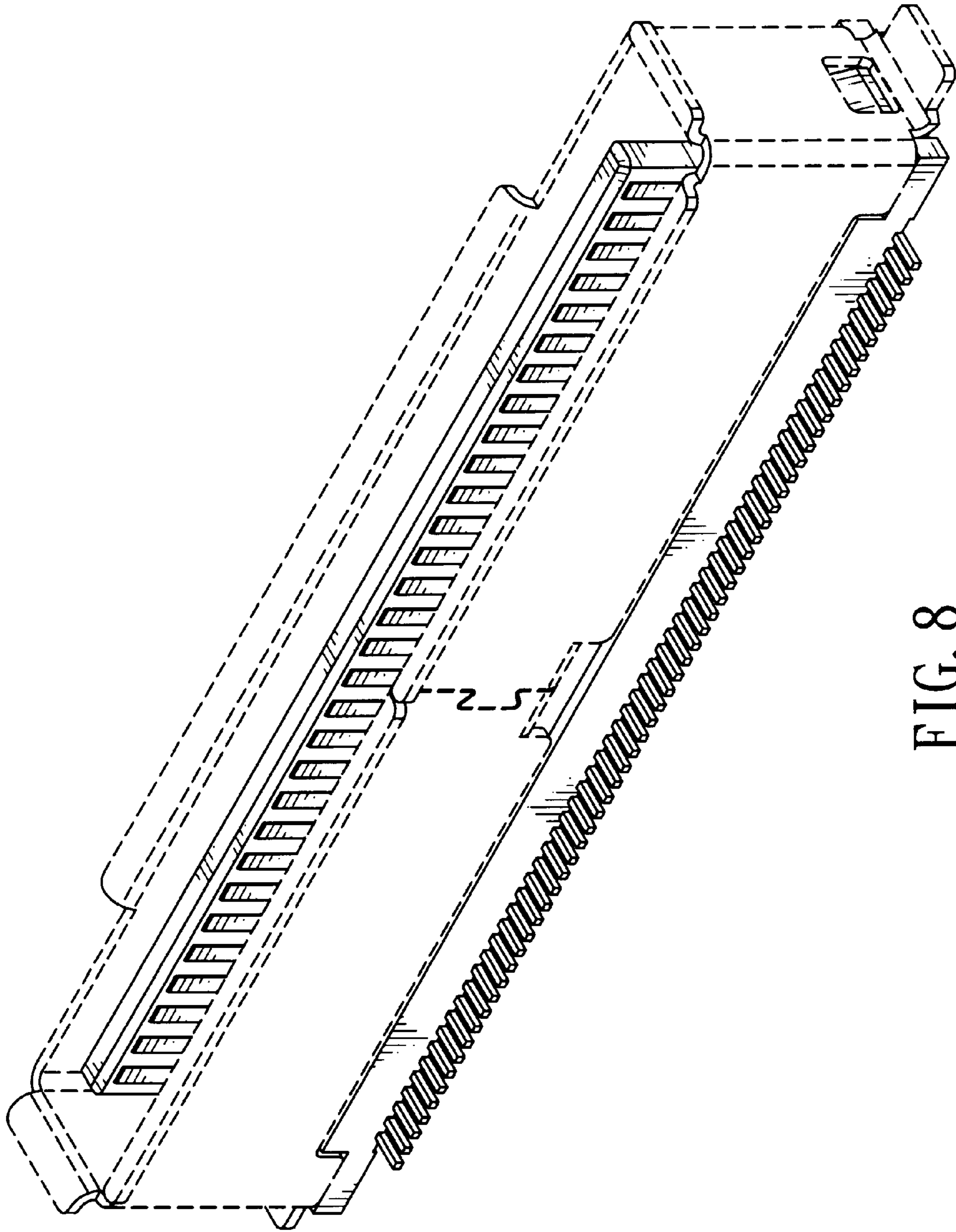


FIG. 8