



US00D429218S

United States Patent [19]

Lee

[11] Patent Number: **Des. 429,218**

[45] Date of Patent: **** *Aug. 8, 2000**

[54] **STACKABLE COUPLER FOR ELECTRICAL CABLES**

5,322,972 6/1994 Fitch et al. 174/DIG. 8 X
5,347,089 9/1994 Barrat et al. 174/DIG. 8 X

[75] Inventor: **Noel Lee**, Dallas, Tex.

Primary Examiner—Alan P. Douglas
Assistant Examiner—Lavone D. Tabor
Attorney, Agent, or Firm—LaRiviere, Grubman & Payne, LLP

[73] Assignee: **Monster Cable Products, Inc.**,
Brisbane, Calif.

[*] Notice: This patent is subject to a terminal disclaimer.

[57] **CLAIM**

[**] Term: **14 Years**

The ornamental design for a stackable coupler for electrical cables, as shown and described.

[21] Appl. No.: **29/074,177**

DESCRIPTION

[22] Filed: **Jul. 22, 1997**

FIG. 1 is a perspective view of a stackable coupler for electrical cables according to the present invention.

[51] **LOC (7) Cl.** **13-03**

FIG. 2 is a rear view of a stackable coupler for electrical cables shown in FIG. 1.

[52] **U.S. Cl.** **D13/147**

FIG. 3 is a side view of a stackable coupler for electrical cables shown in FIG. 1.

[58] **Field of Search** D13/132, 133,
D13/146, 147; 439/709, 721-724, 523

FIG. 4 is a bottom view of a stackable coupler for electrical cables shown in FIG. 1.

[56] **References Cited**

FIG. 5 is a top view of a stackable coupler for electrical cables shown in FIG. 1.

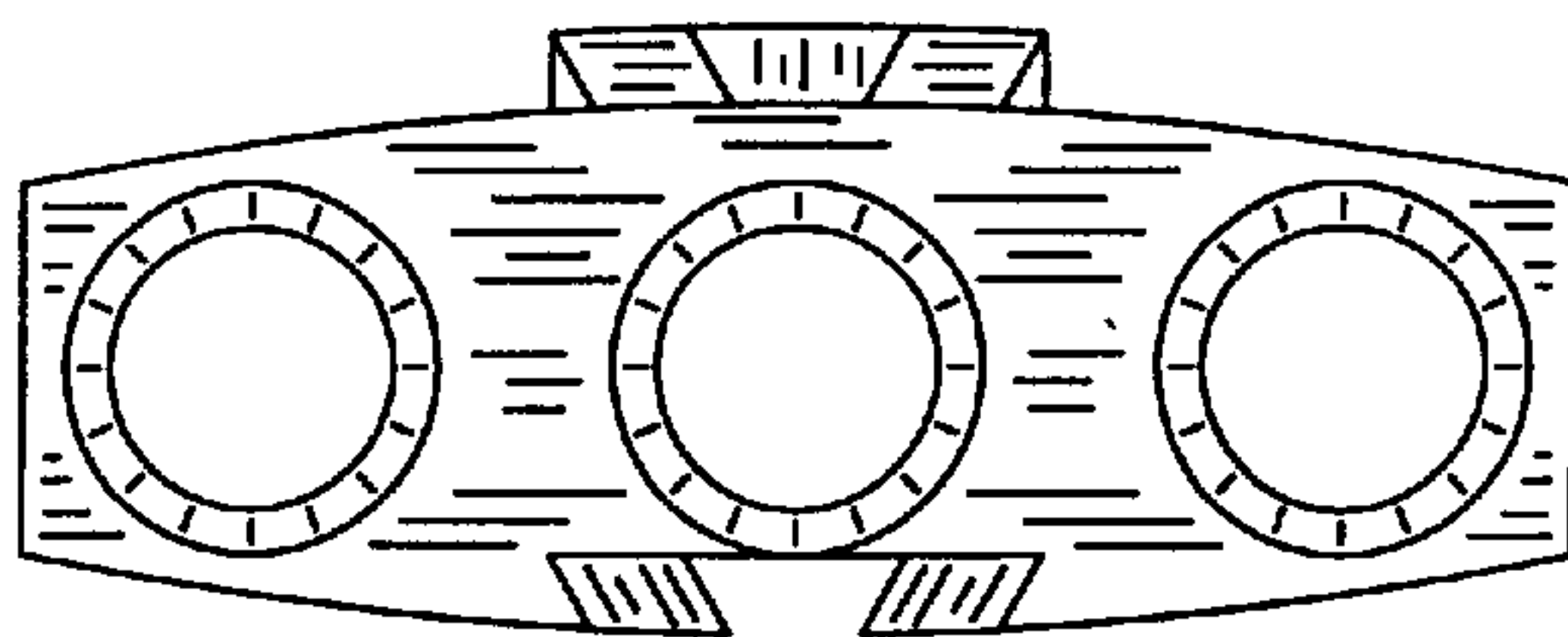
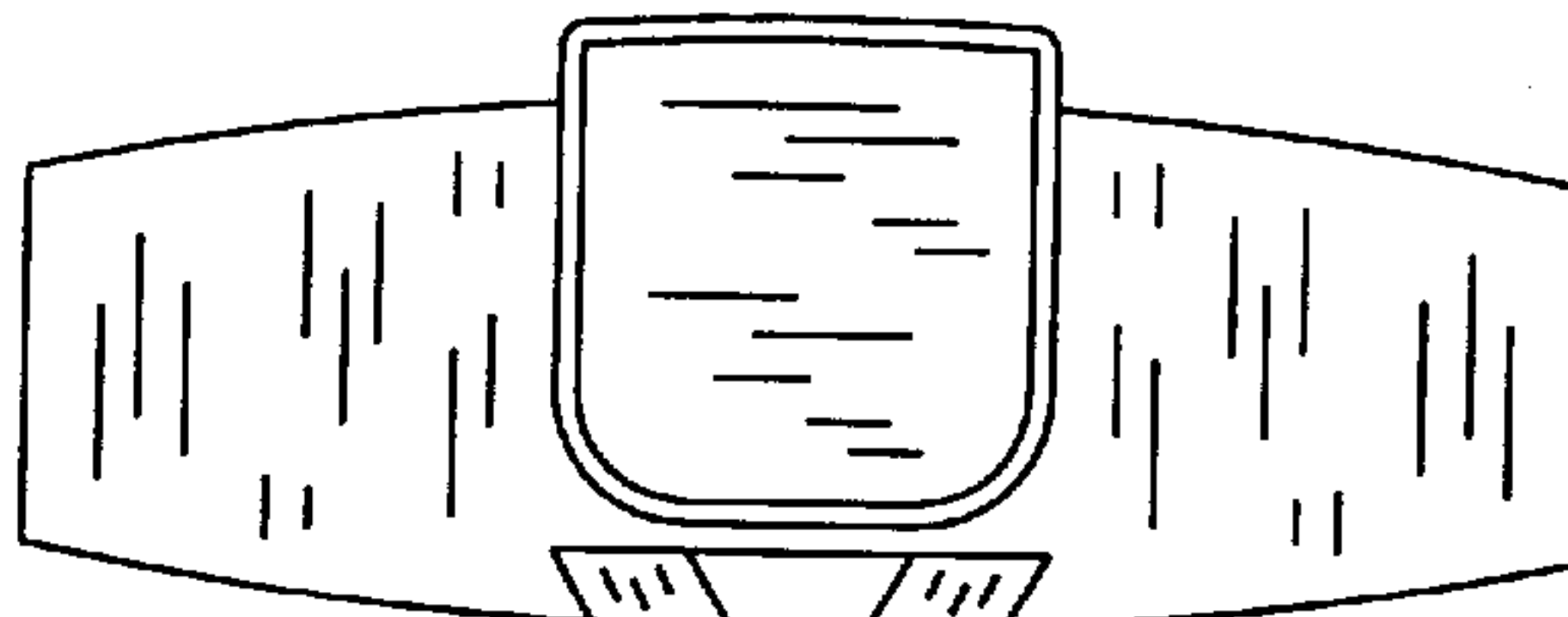
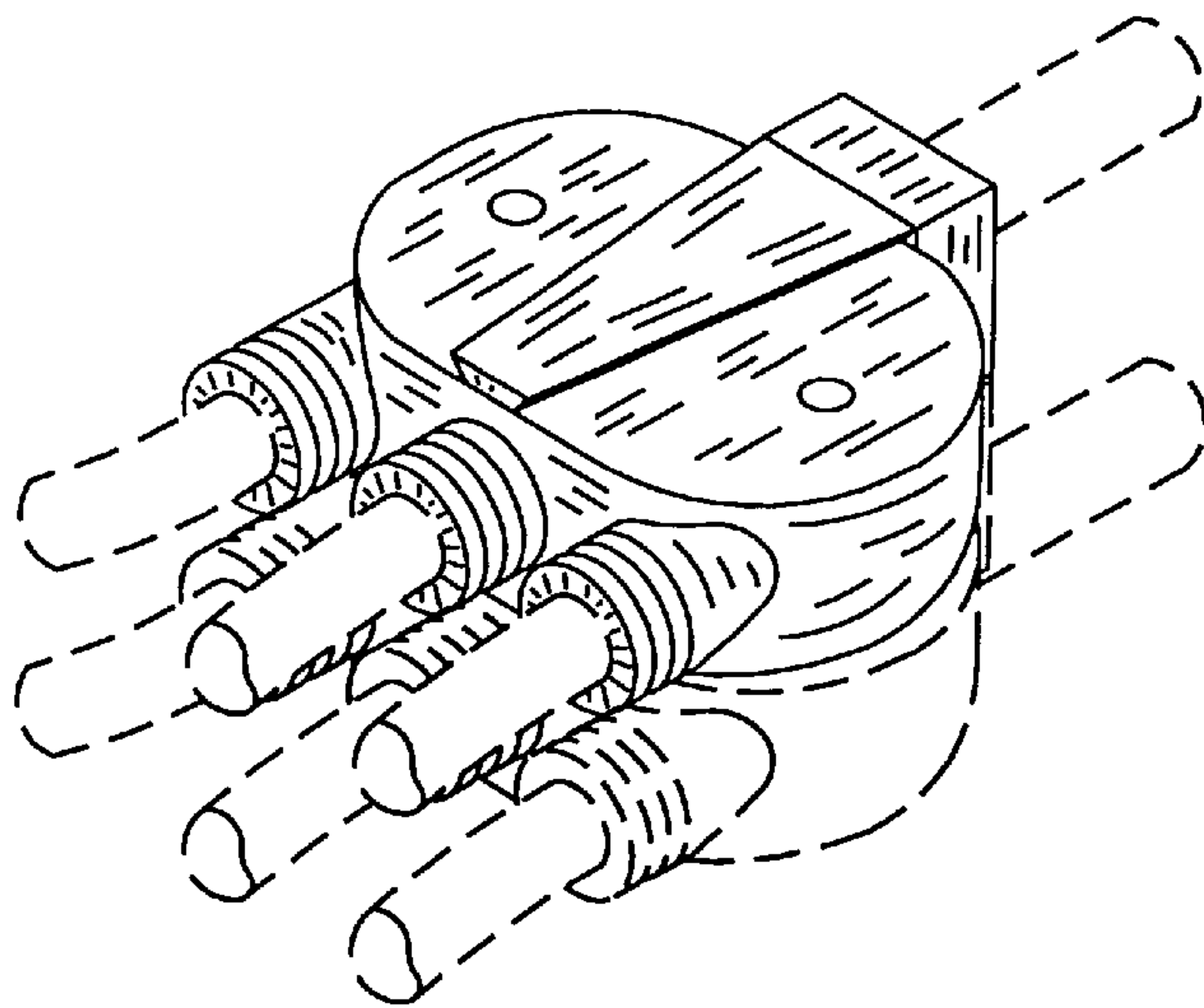
U.S. PATENT DOCUMENTS

FIG. 6 is a front view of a stackable coupler for electrical cables shown in FIG. 1.

D. 55,071	5/1920	Moffat	D13/132
D. 191,399	9/1961	Leach	D13/146
D. 301,457	6/1989	Friederichs	D13/147
D. 347,208	5/1994	Martin et al.	D13/133
D. 387,733	12/1997	Lee	D13/147

The broken lines are for illustrative purposes only and form no part of the claimed design.

1 Claim, 2 Drawing Sheets



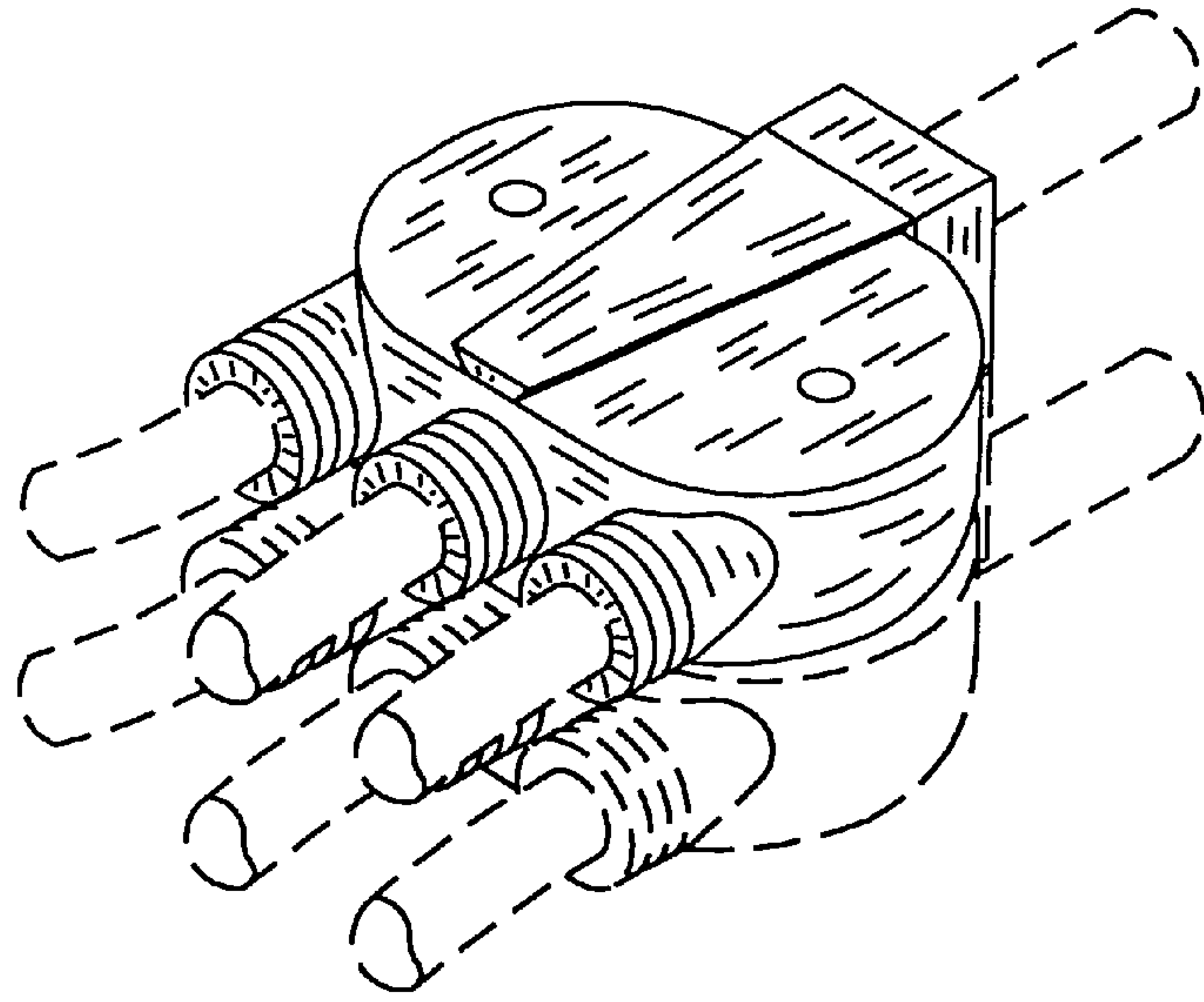


FIG. 1

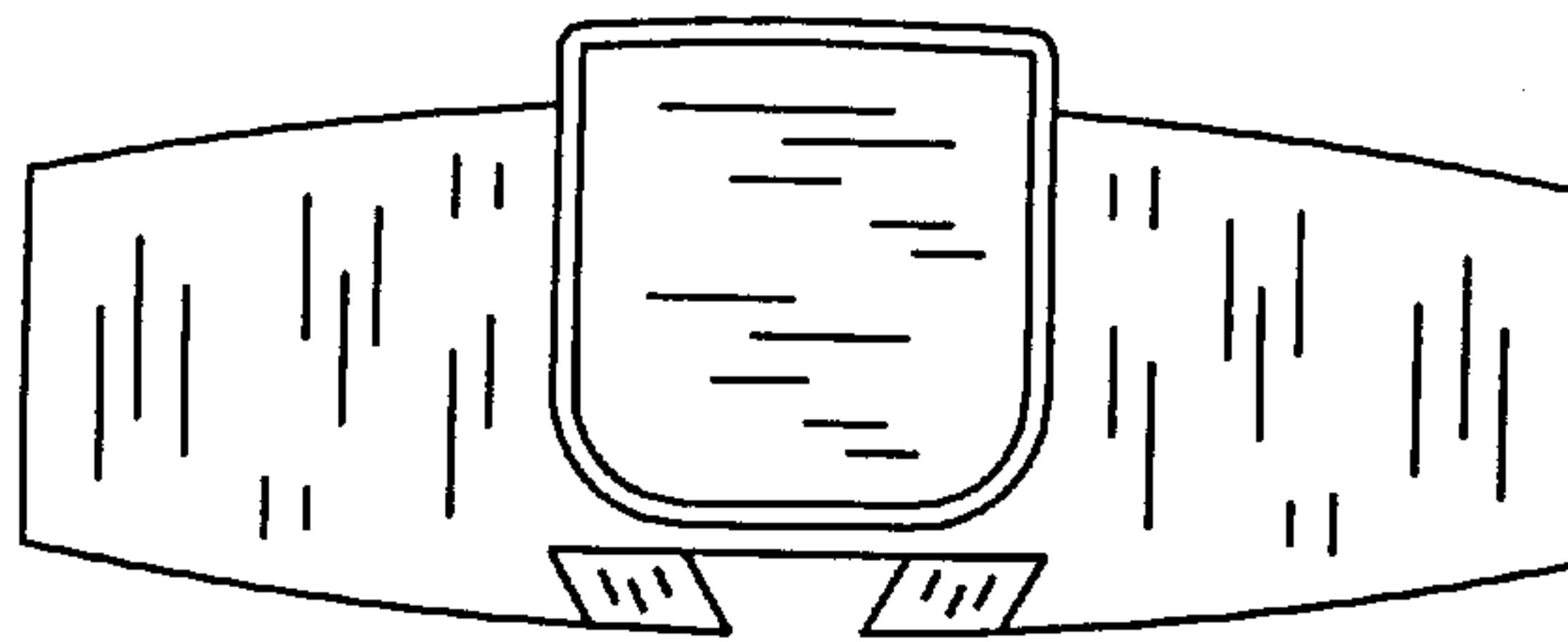


FIG. 2

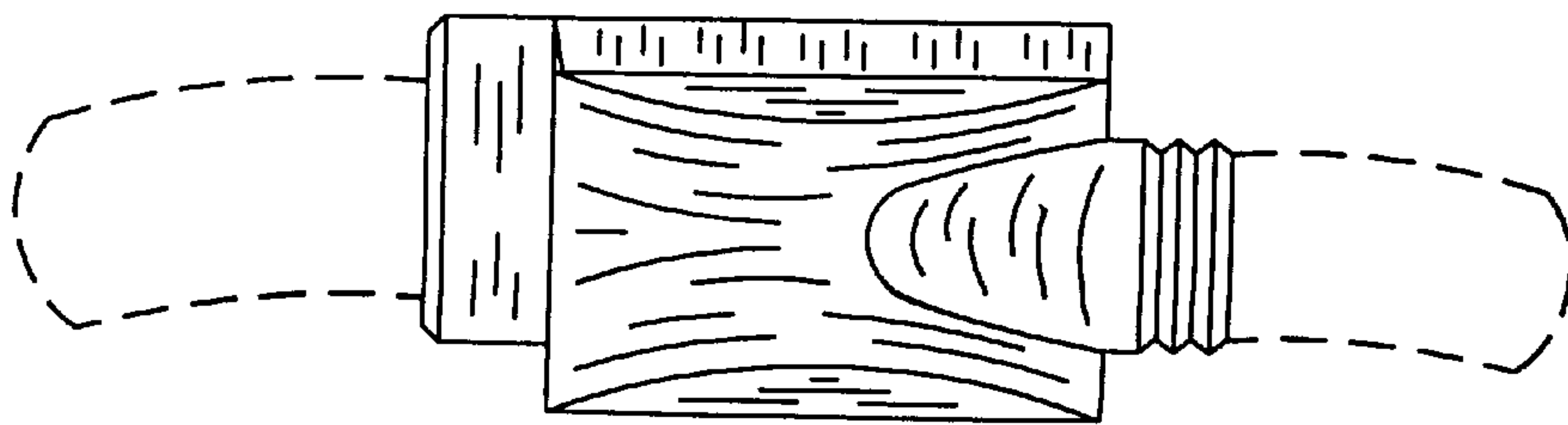


FIG. 3

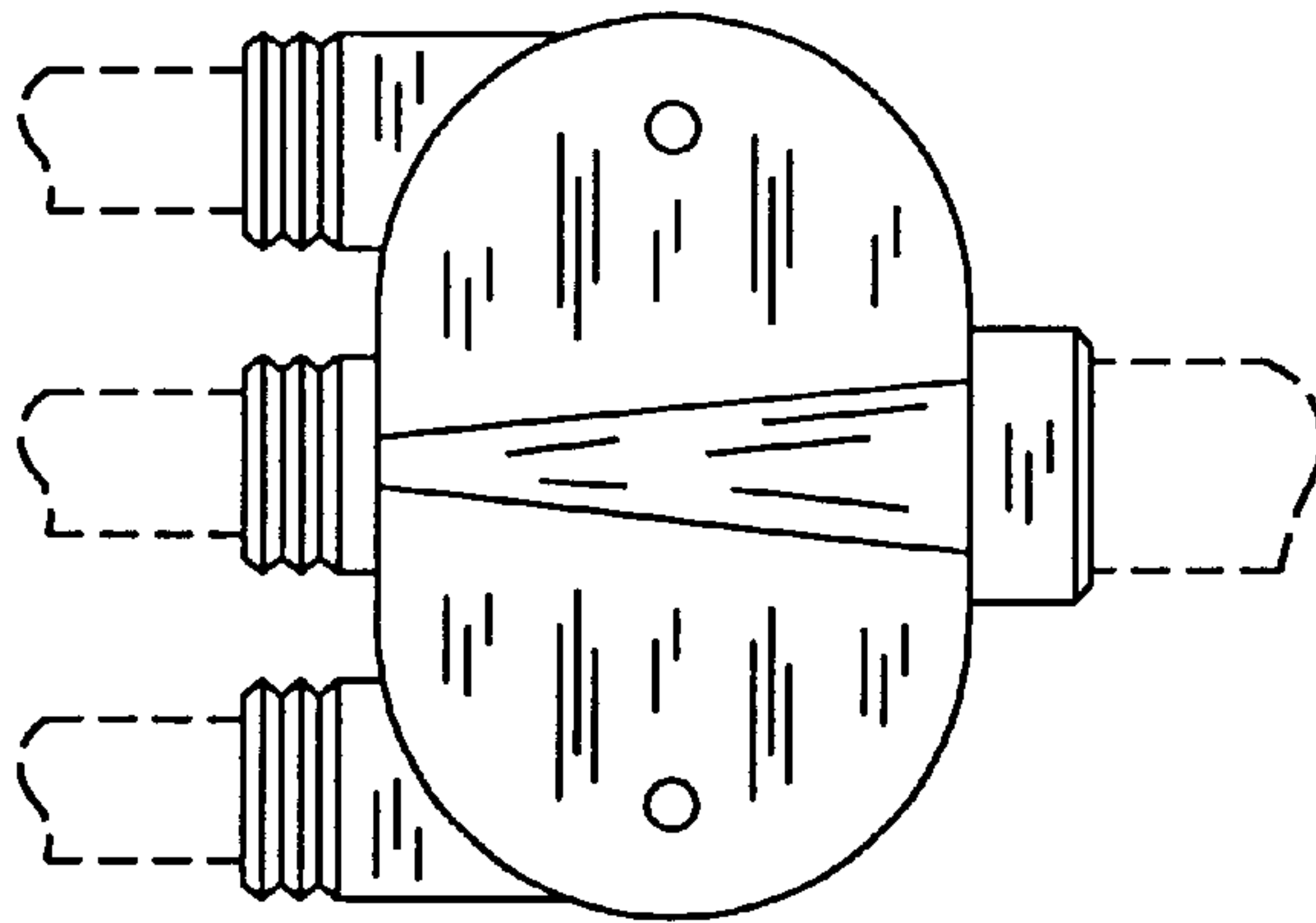


FIG. 4

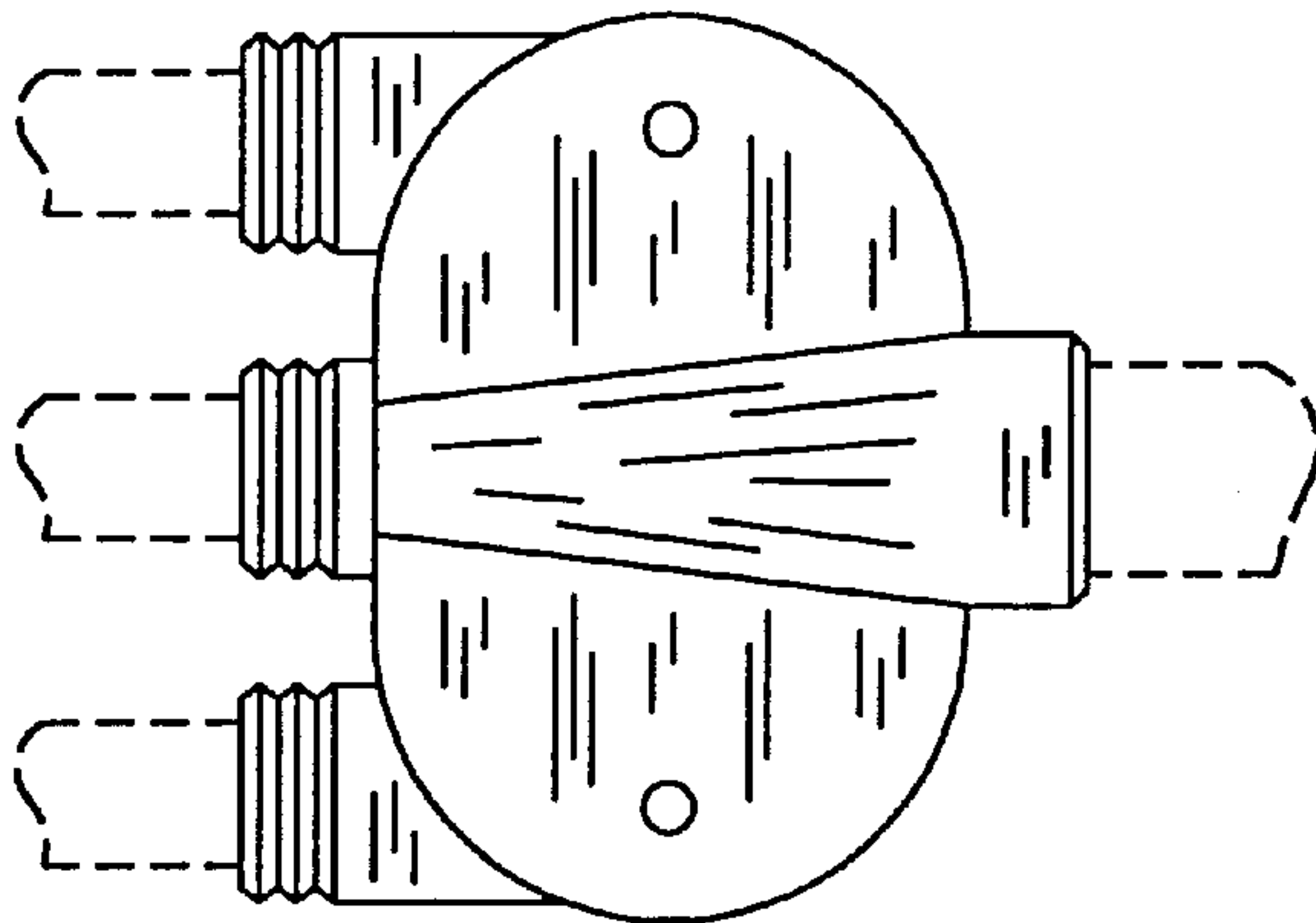


FIG. 5

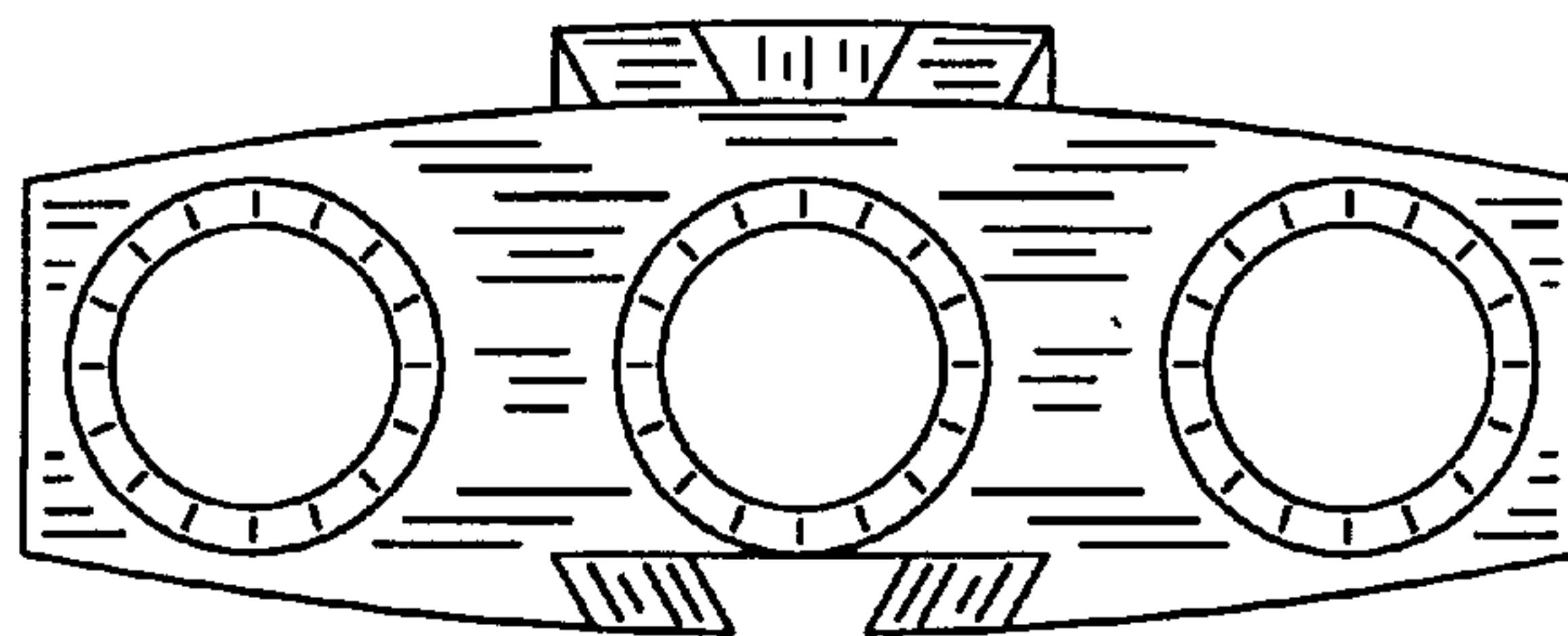


FIG. 6