



US00D429211S

**United States Patent** [19]  
**Ohi et al.**

[11] **Patent Number: Des. 429,211**  
[45] **Date of Patent: \*\* Aug. 8, 2000**

[54] **BATTERY CHARGER**

[75] Inventors: **Taku Ohi**, Chandler; **Kenneth M. Brazell**, Phoenix; **Charles M. Wacker**, Chandler, all of Ariz.

[73] Assignee: **Ryobi North America, Inc.**, Anderson, S.C.

[\*\*] Term: **14 Years**

[21] Appl. No.: **29/110,842**

[22] Filed: **Sep. 14, 1999**

[51] **LOC (7) Cl.** ..... **13-02**

[52] **U.S. Cl.** ..... **D13/107**

[58] **Field of Search** ..... **D13/107, 108;**  
**D14/251, 253; 320/110-115**

[56] **References Cited**

**U.S. PATENT DOCUMENTS**

- D. 255,029 5/1980 Brownlie .
- D. 271,391 11/1983 Scheid .
- D. 278,228 4/1985 Liautaud et al. .
- D. 278,426 4/1985 Lanci et al. .
- D. 298,119 10/1988 Richards et al. .
- D. 298,230 10/1988 Lay .
- D. 301,135 5/1989 Schappler .
- D. 302,808 8/1989 Skuza et al. .
- D. 313,004 12/1990 Hasegawa et al. .
- D. 321,337 11/1991 Sakamoto et al. .
- D. 322,060 12/1991 Iino .
- D. 327,669 7/1992 Sakamoto et al. .
- D. 345,728 4/1994 Tyneski et al. .
- D. 349,883 8/1994 Gallagher et al. .

- D. 389,799 1/1998 Somers .
- D. 396,687 8/1998 Somers .
- D. 400,499 11/1998 Bunyea .
- D. 404,006 1/1999 Clowers et al. .
- D. 409,976 5/1999 Buck .
- D. 417,649 12/1999 Higgins et al. .... D13/107
- 4,829,226 5/1989 Nakamura et al. .
- 5,065,082 11/1991 Fushiya .
- 5,148,094 9/1992 Parks et al. .
- 5,391,972 2/1995 Gardner et al. .
- 5,406,187 4/1995 Harrison .

**OTHER PUBLICATIONS**

Bosch Power Tool Catalog, Cordless Tools and Accessories, © 1999, p. 13.  
Makita Industrial Power Tools 1998-1999 General Catalog, Cordless Power Tool Accessories, 1999, p. 28.

*Primary Examiner*—Joel Sincavage  
*Attorney, Agent, or Firm*—Brooks & Kushman P.C.

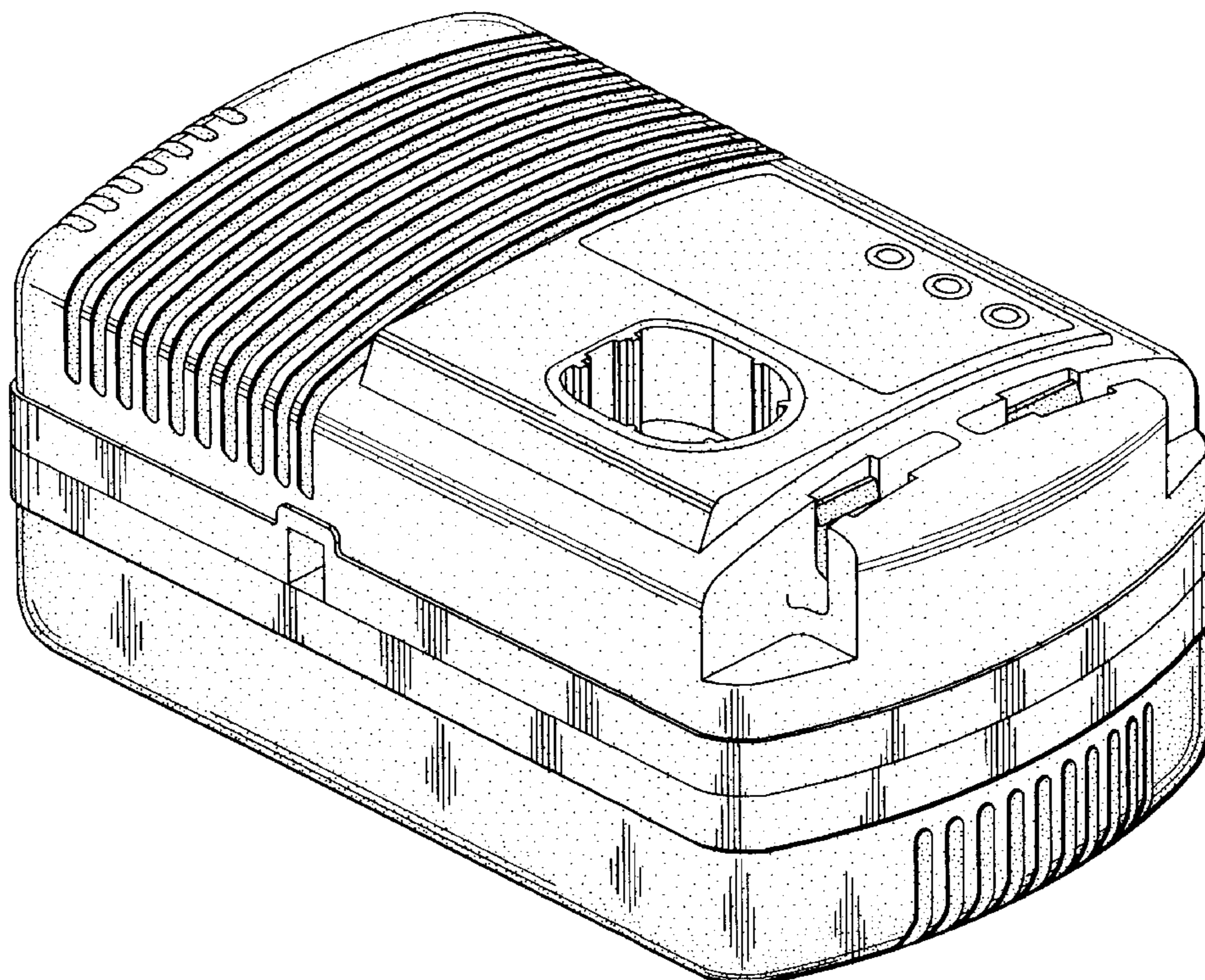
[57] **CLAIM**

The ornamental design for a battery charger, as shown and described.

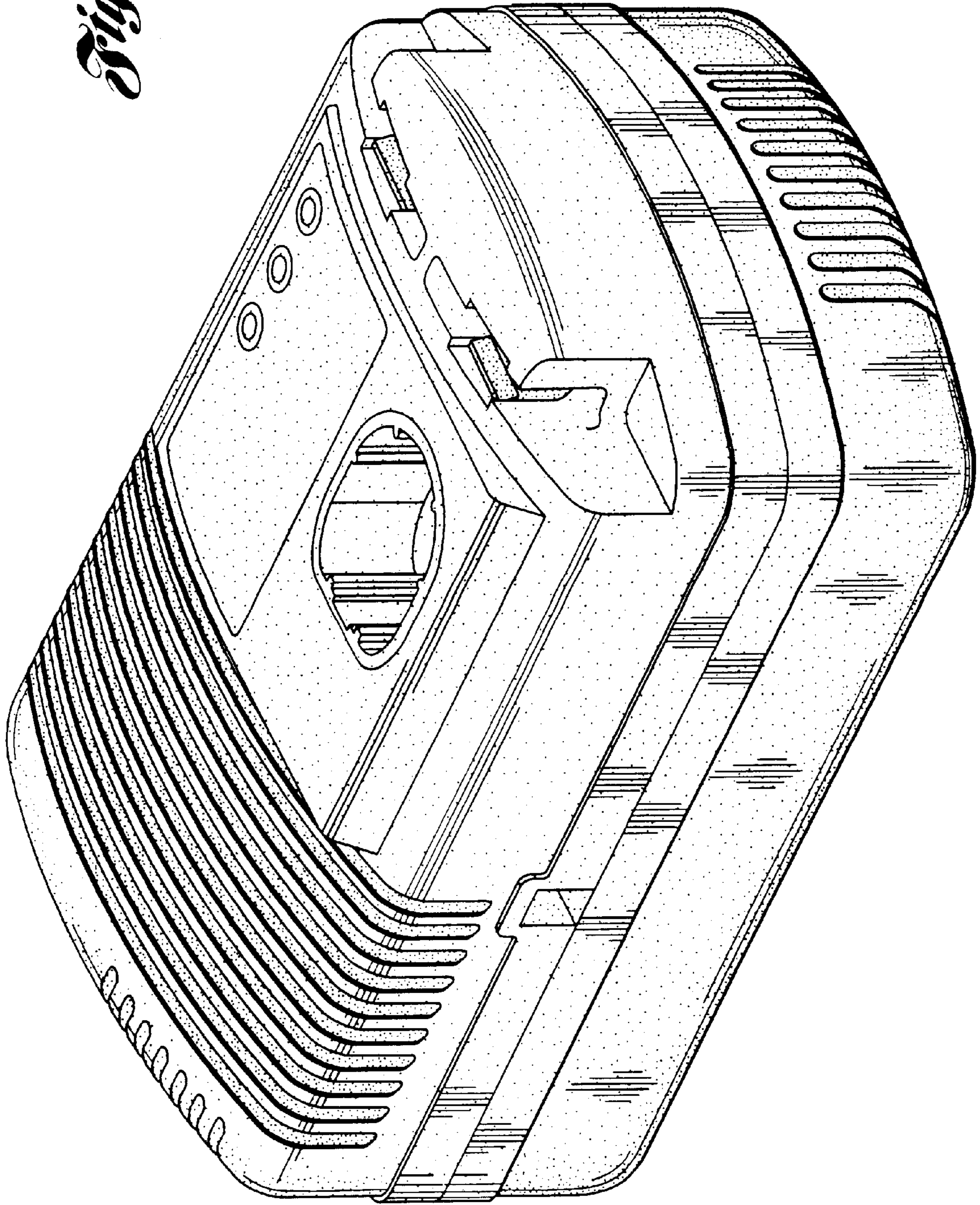
**DESCRIPTION**

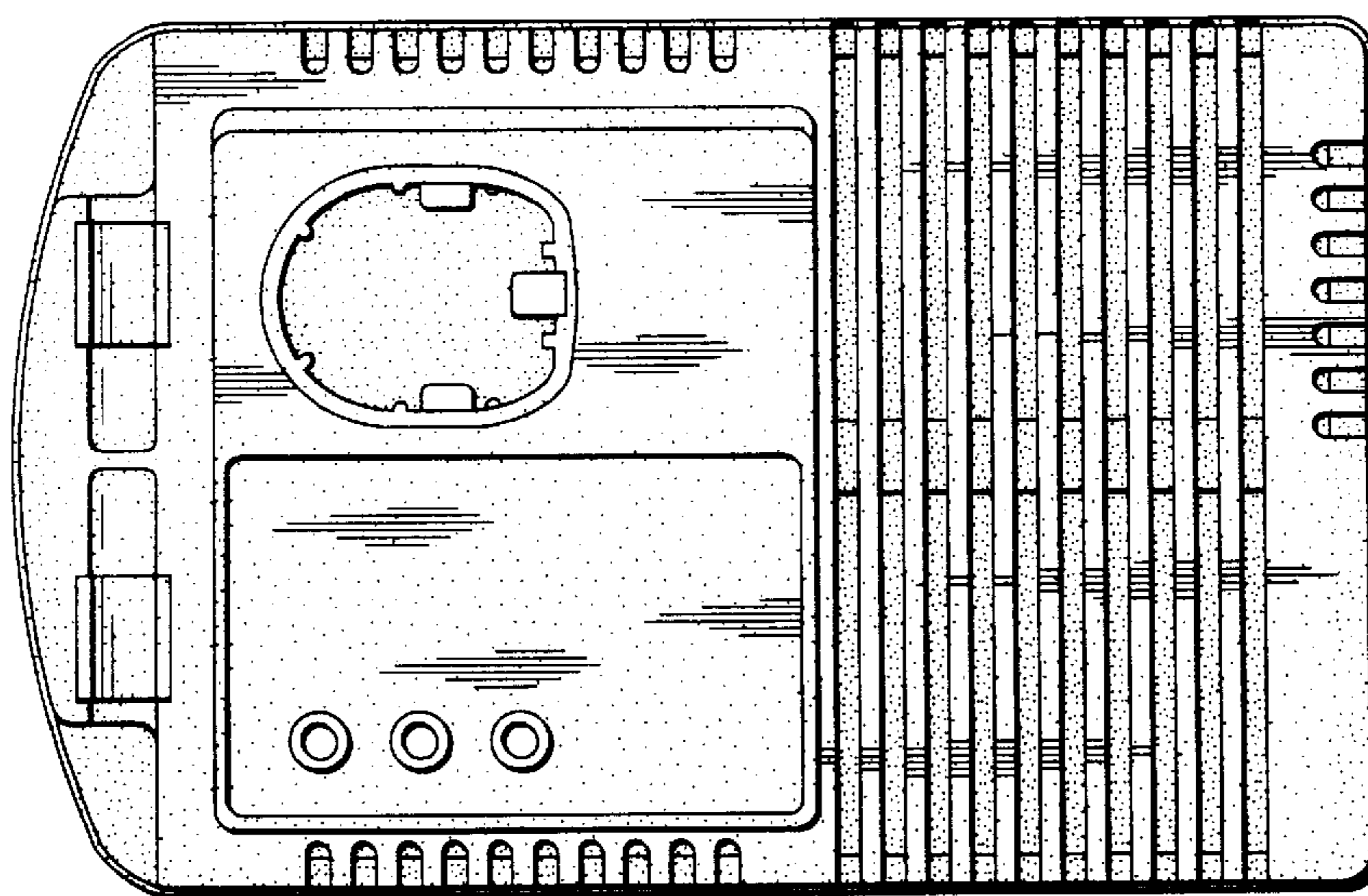
FIG. 1 is a perspective view of the battery charger; FIG. 2 is a top plan view; FIG. 3 is a left side elevational view; FIG. 4 is a front end elevational view; FIG. 5 is a rear side elevational view; FIG. 6 is a right end elevational view; and, FIG. 7 is a bottom plan view.

**1 Claim, 3 Drawing Sheets**

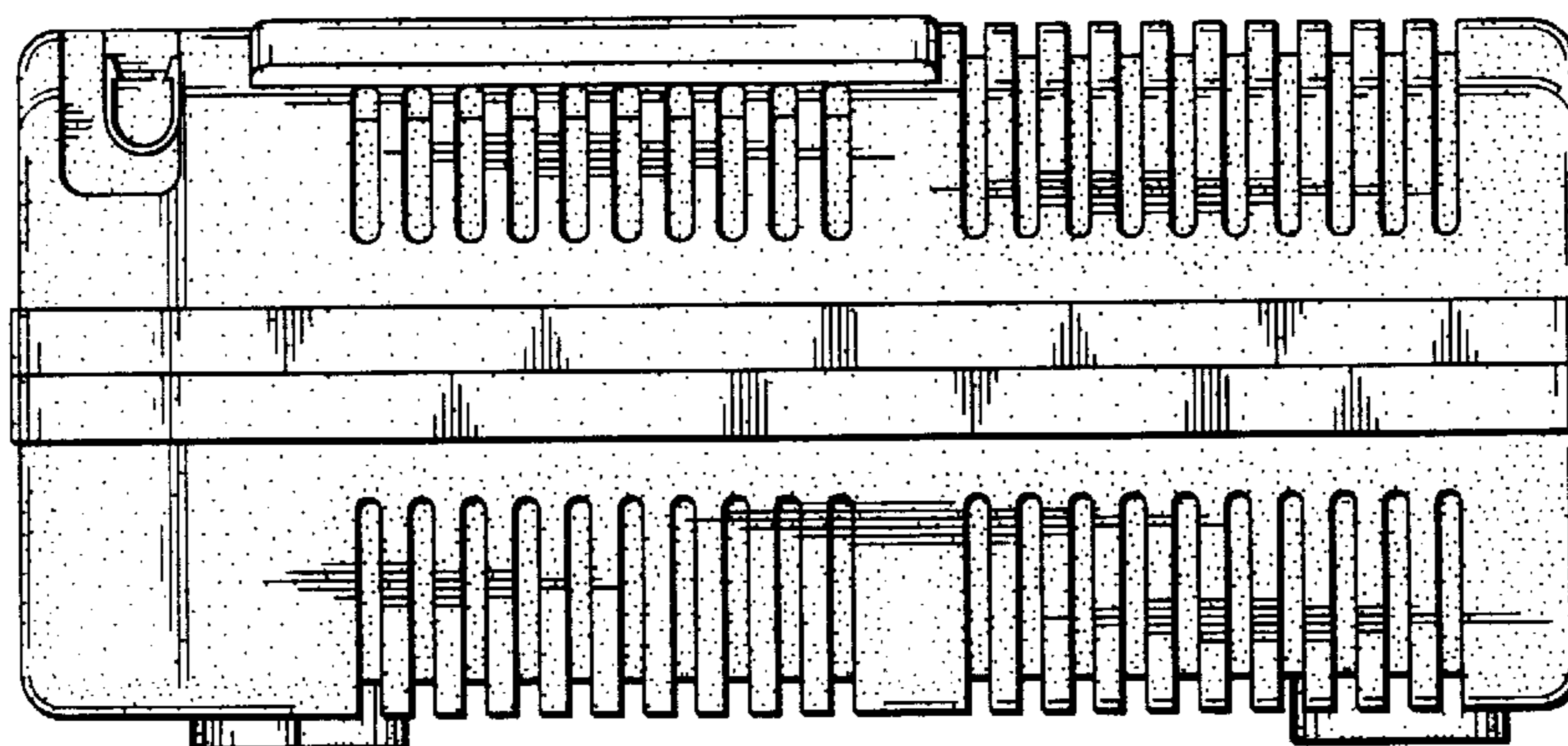


*Fig. 1*

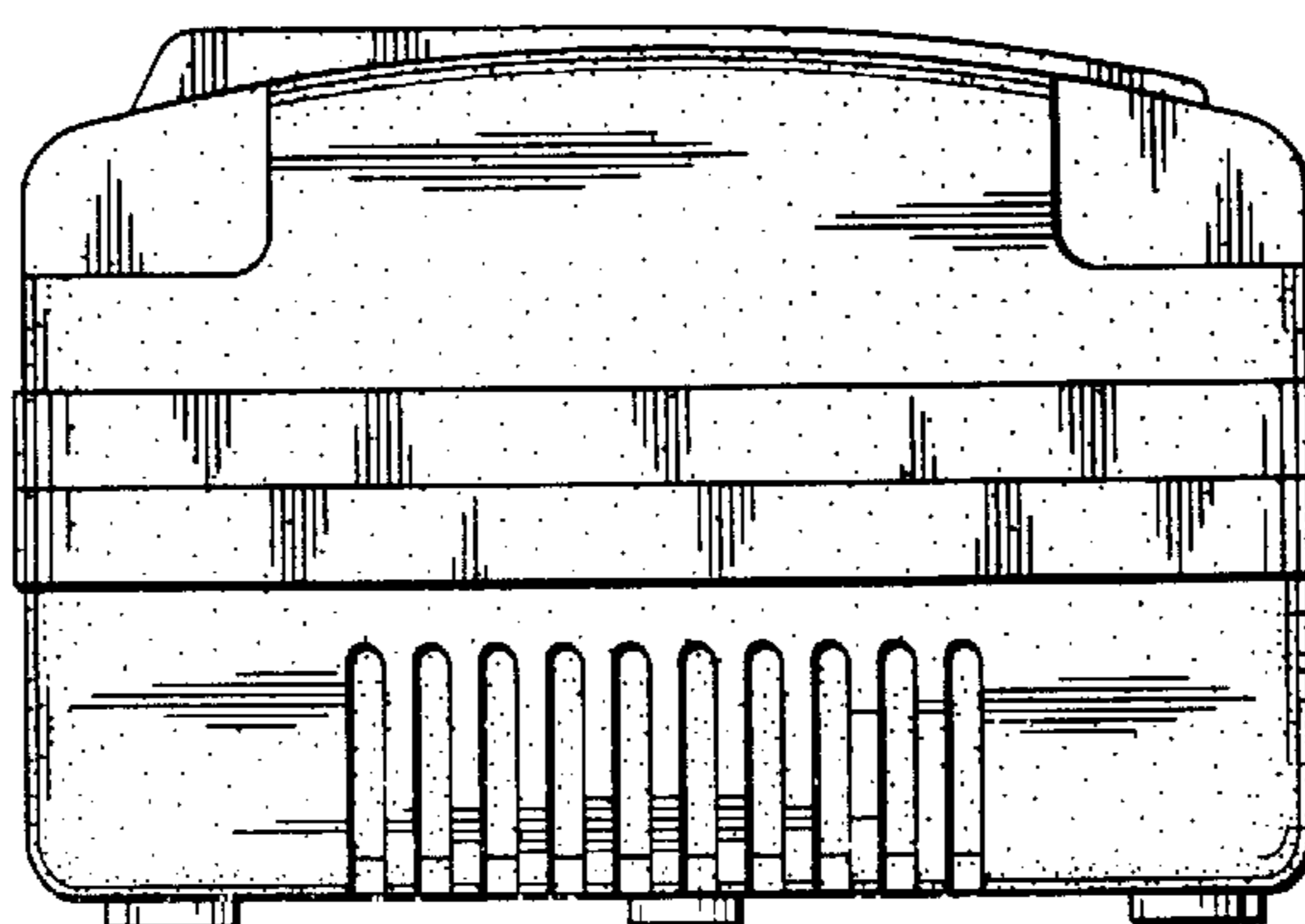




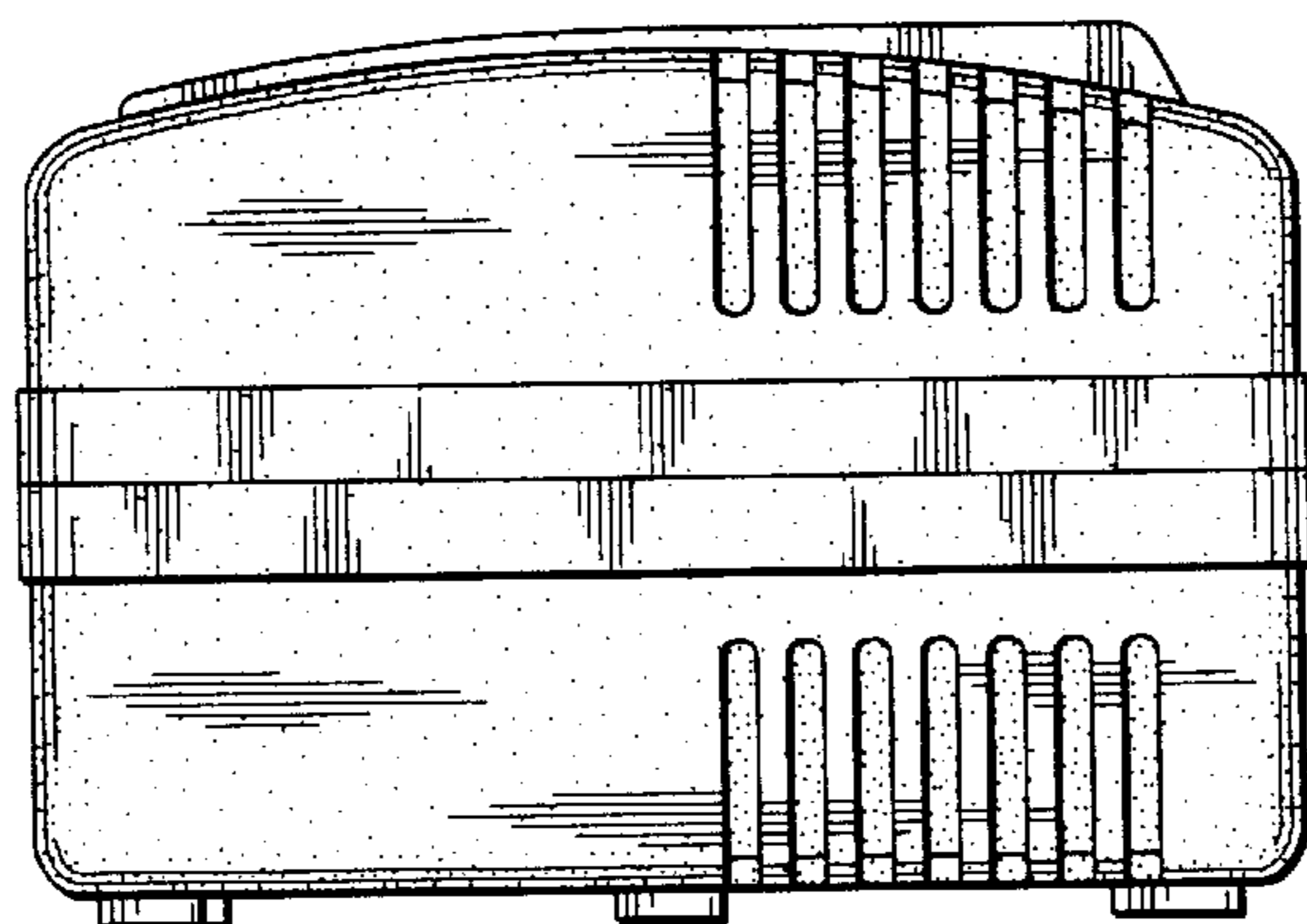
*Fig. 2*



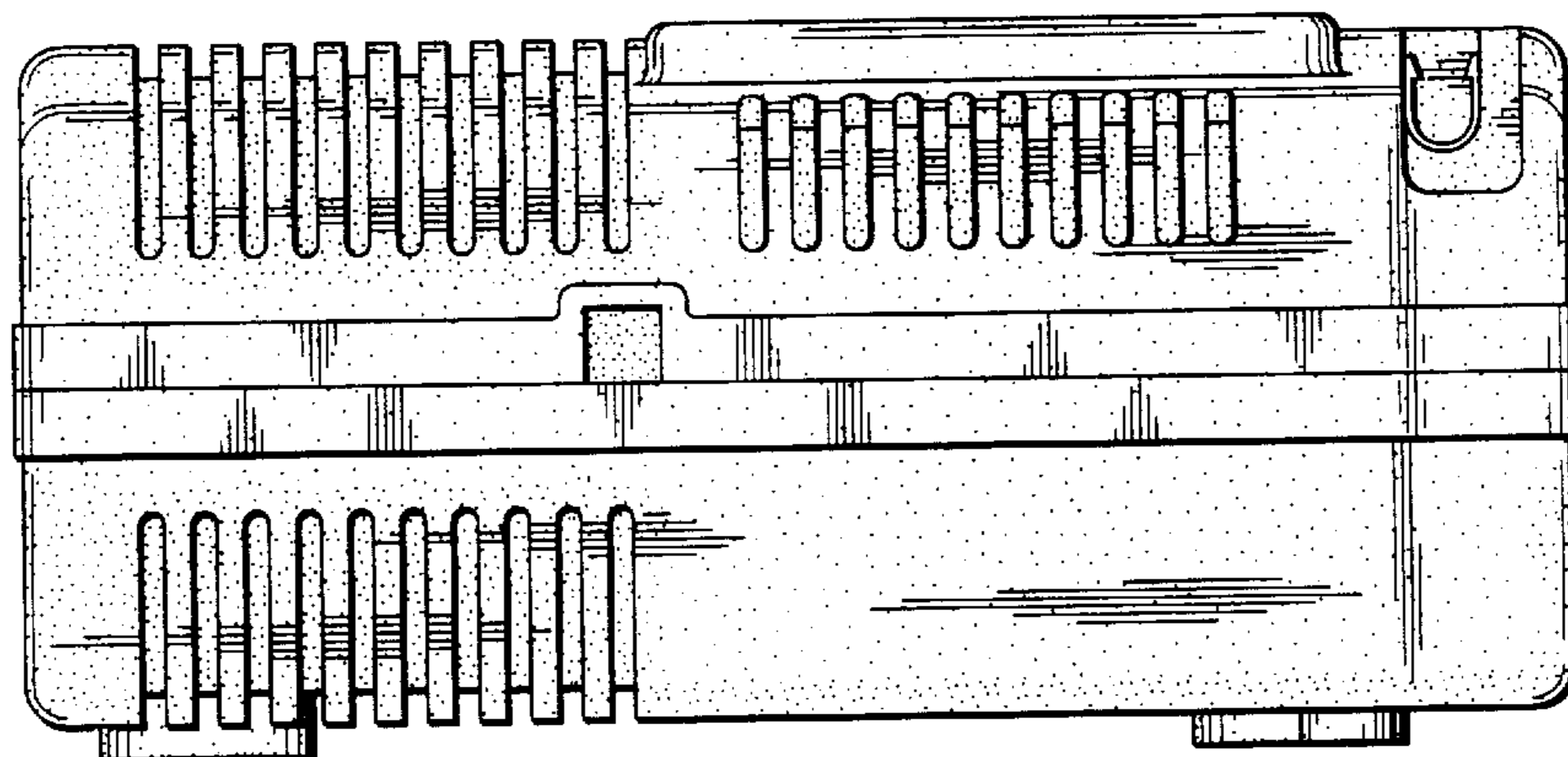
*Fig. 3*



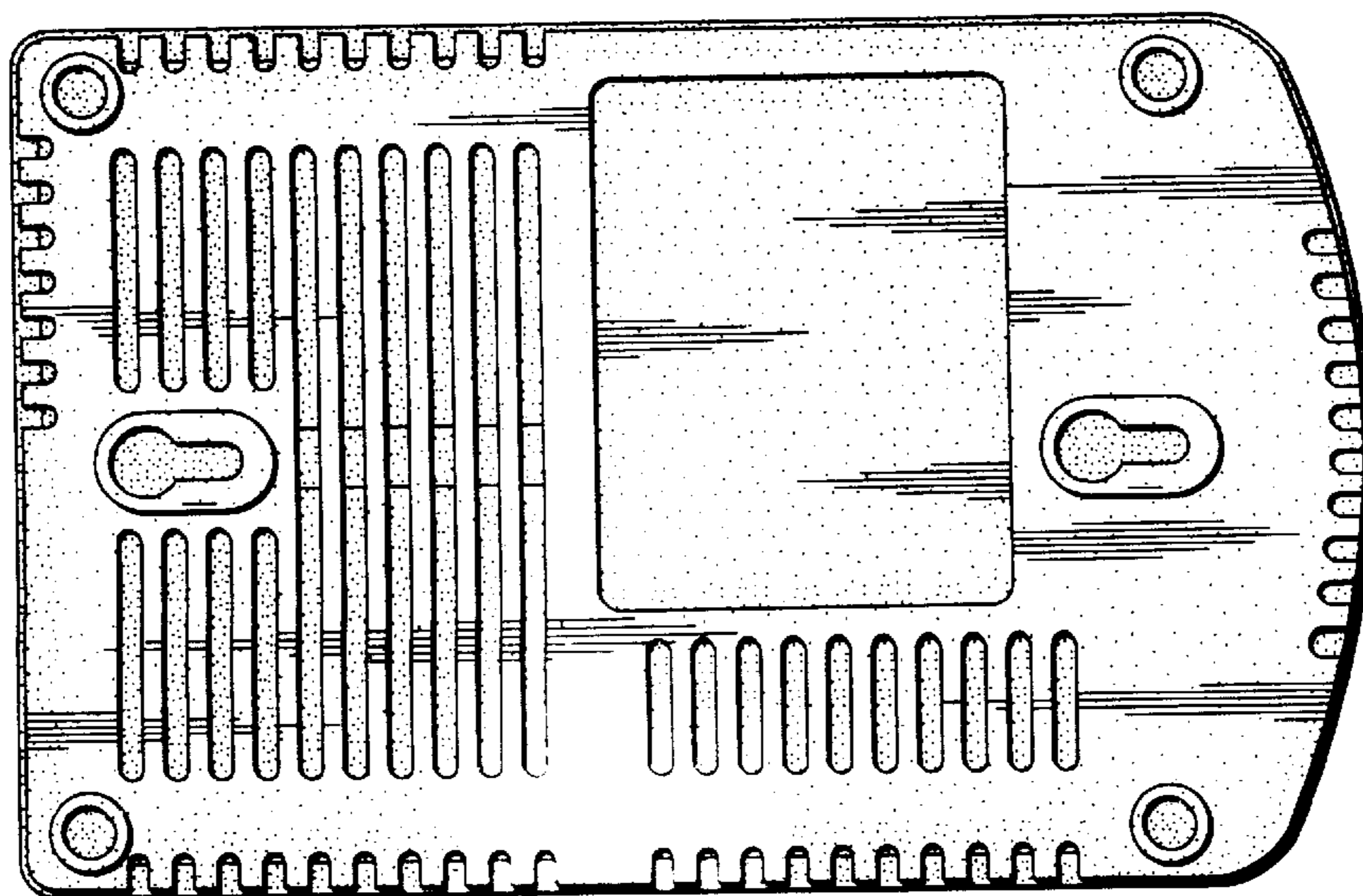
*Fig. 4*



*Fig. 5*



*Fig. 6*



*Fig. 7*