



US00D429207S

United States Patent [19] Throener

[11] **Patent Number: Des. 429,207**

[45] **Date of Patent: ** Aug. 8, 2000**

[54] **CARGO RESTRAINING DEVICE**

[76] Inventor: **James A. Throener**, 5501 Old
Floydsburg Rd., Crestwood, Ky. 40014

[**] Term: **14 Years**

[21] Appl. No.: **29/105,804**

[22] Filed: **Jun. 2, 1999**

[51] **LOC (7) Cl.** **12-06**

[52] **U.S. Cl.** **D12/223**

[58] **Field of Search** D8/374, 354, 349,
D8/380; 410/94; 248/499

[56] **References Cited**

U.S. PATENT DOCUMENTS

1,675,701	7/1928	Fitch	410/71
4,311,420	1/1982	Hendricks et al.	.	
5,549,428	8/1996	Yeatts	.	
5,636,951	6/1997	Long et al.	.	
5,655,863	8/1997	Mundt	.	
5,795,006	8/1998	Beckstrom	.	

Primary Examiner—Holly Baynham
Attorney, Agent, or Firm—Carrithers Law Office; David W. Carrithers

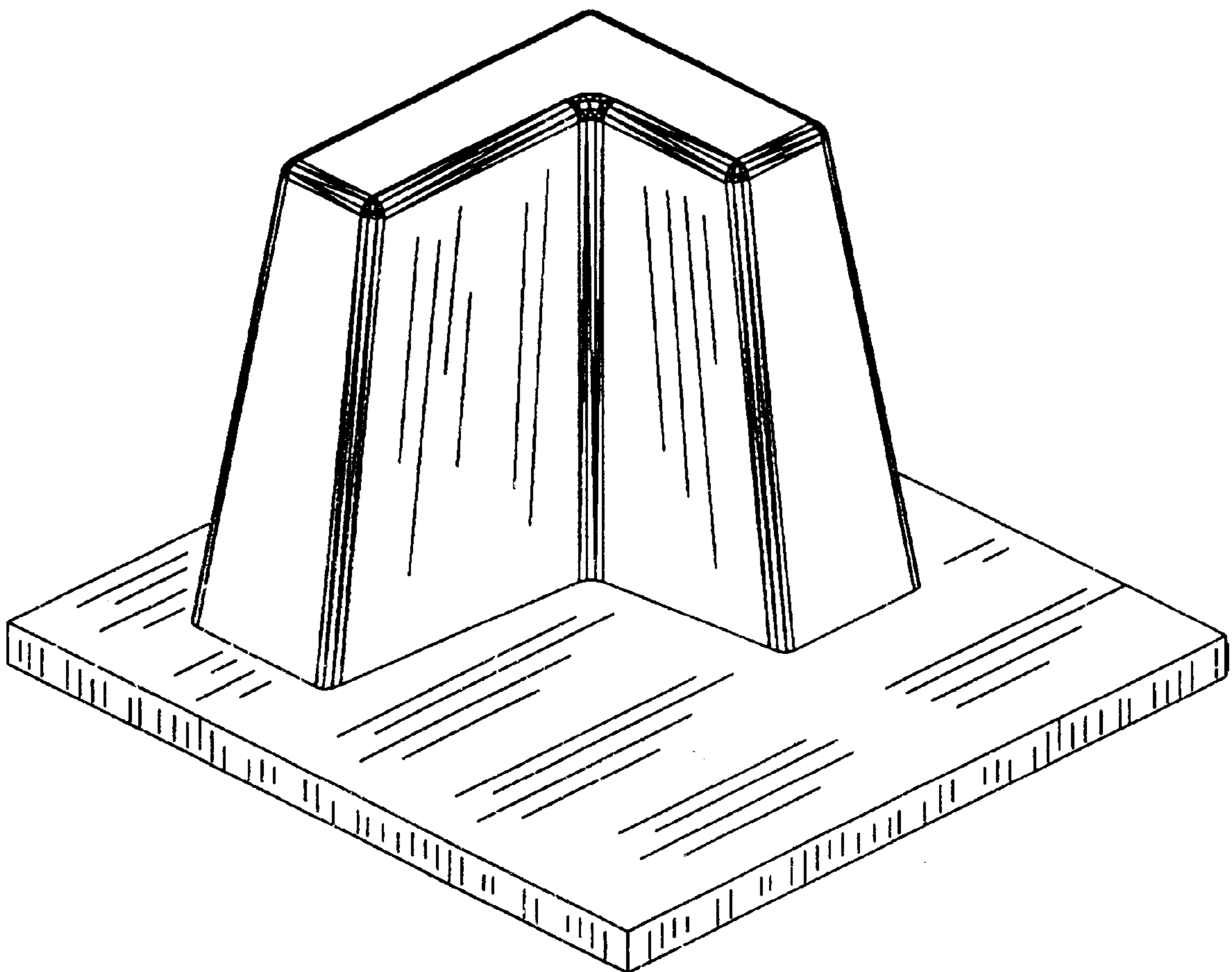
[57] **CLAIM**

The ornamental design for a cargo restraining device, as shown and described.

DESCRIPTION

FIG. 1 is a perspective top view of a cargo restraining device in accordance with my design;
FIG. 2 is a front view thereof;
FIG. 3 is a top plan view thereof;
FIG. 4 is a right side view, thereof;
FIG. 5 is a rear view, thereof;
FIG. 6 is a bottom plan view, thereof;
FIG. 7 is a left side view thereof; and,
FIG. 8 is a reduced, environmental perspective view with the broken line showing of a base, an object and an additional restraining device being for illustrative purposes only and forming no part of the claimed design.

1 Claim, 8 Drawing Sheets



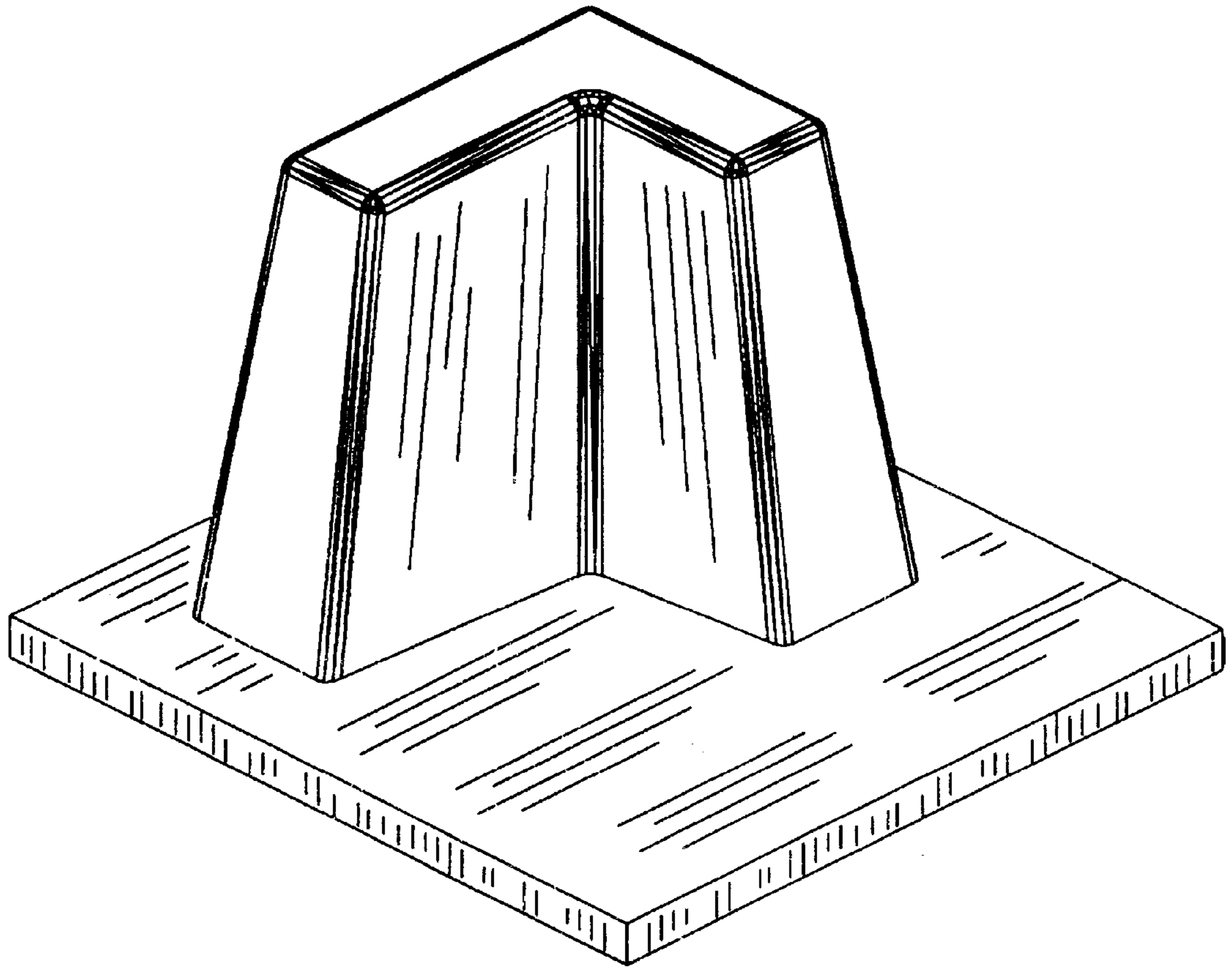


FIG. 1

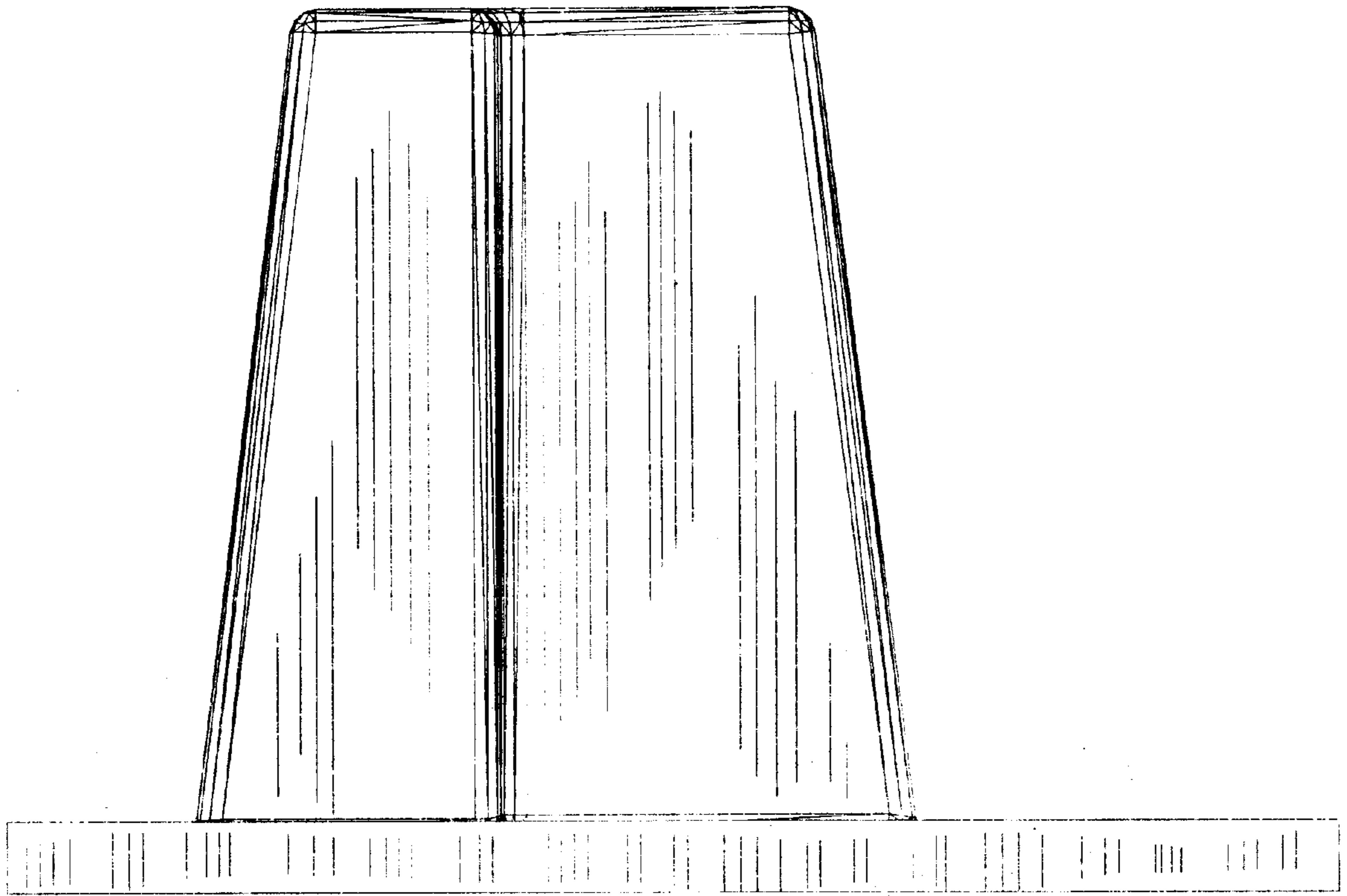


FIG. 2

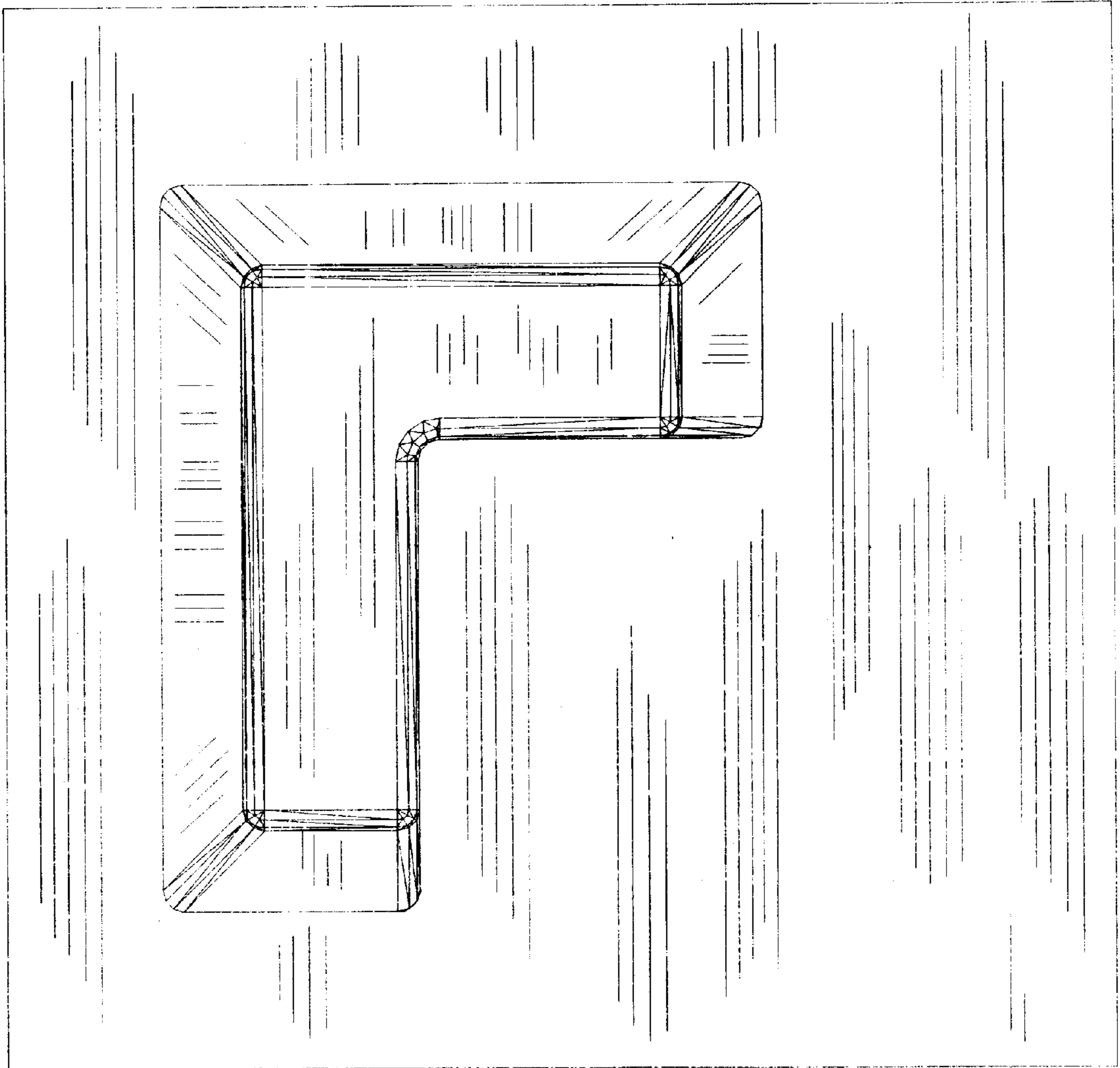


FIG. 3

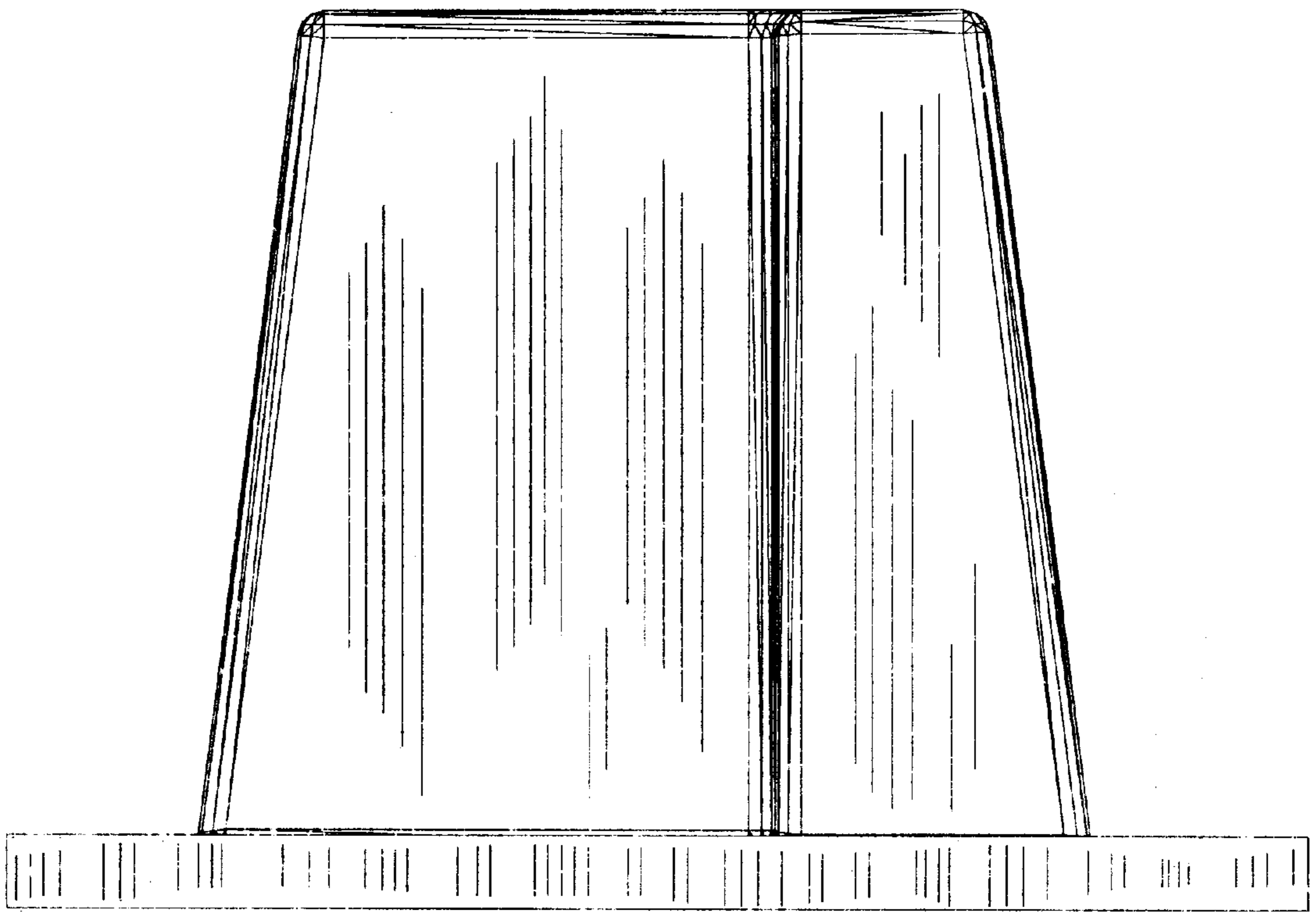


FIG. 4

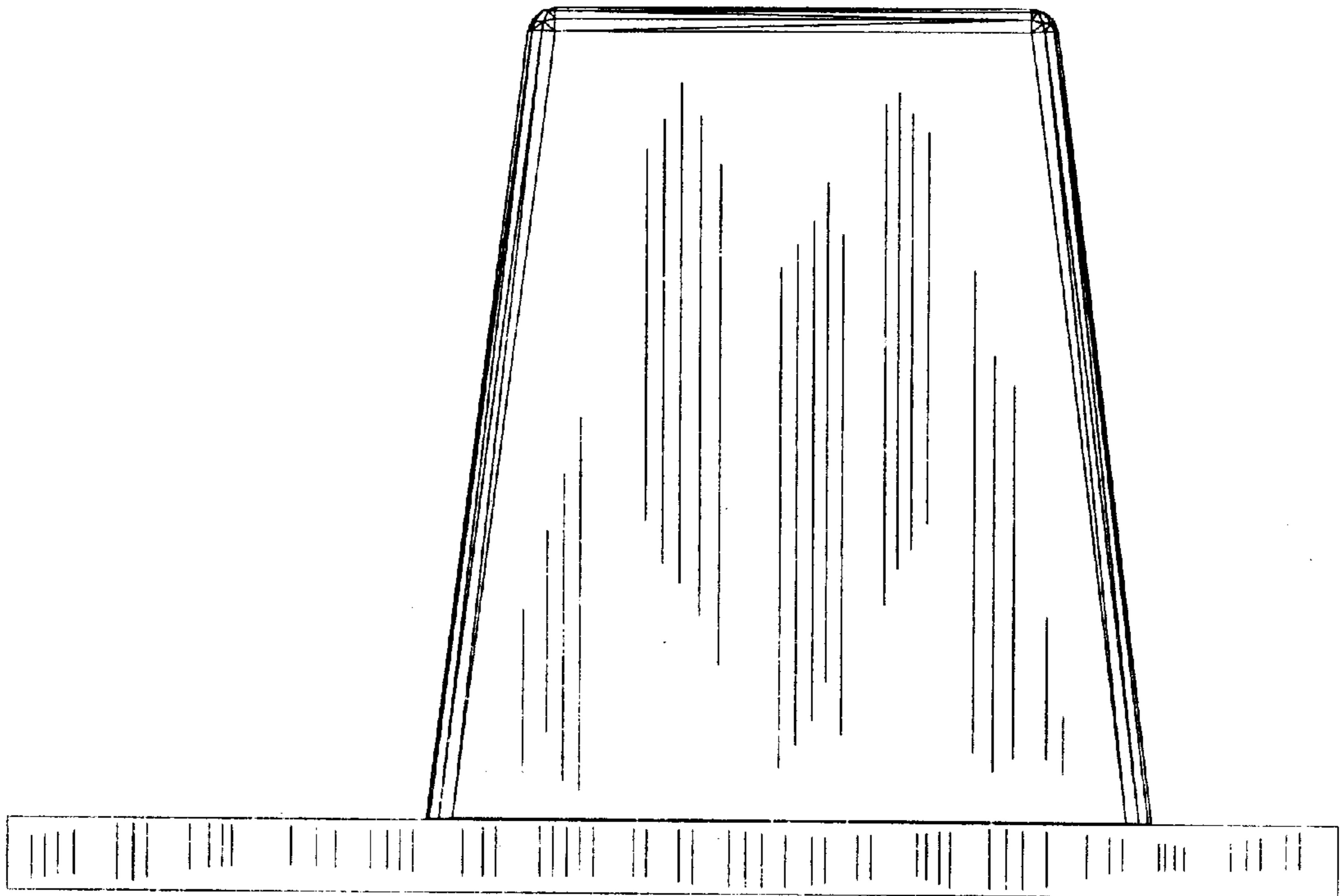


FIG. 5

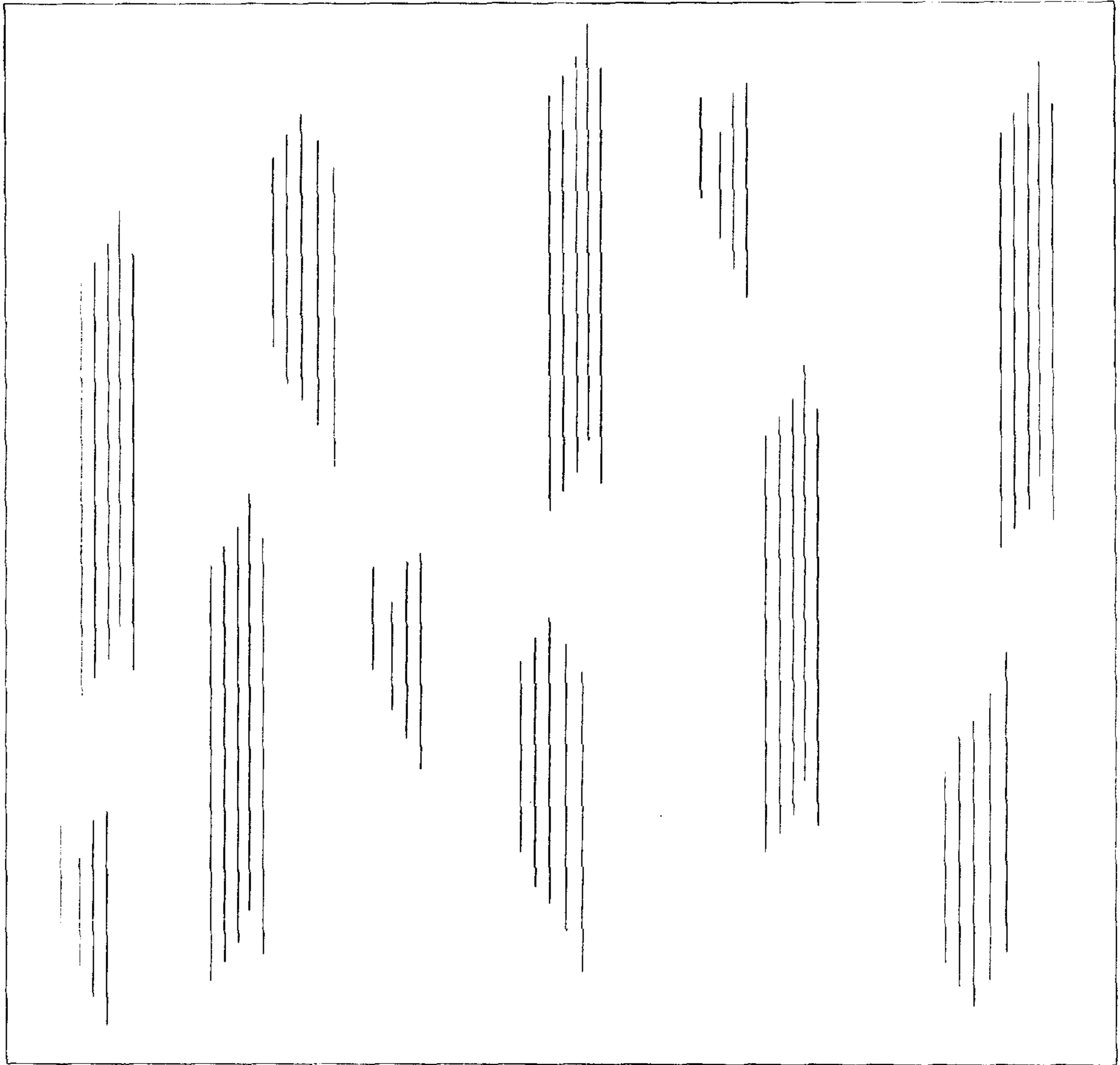


FIG. 6

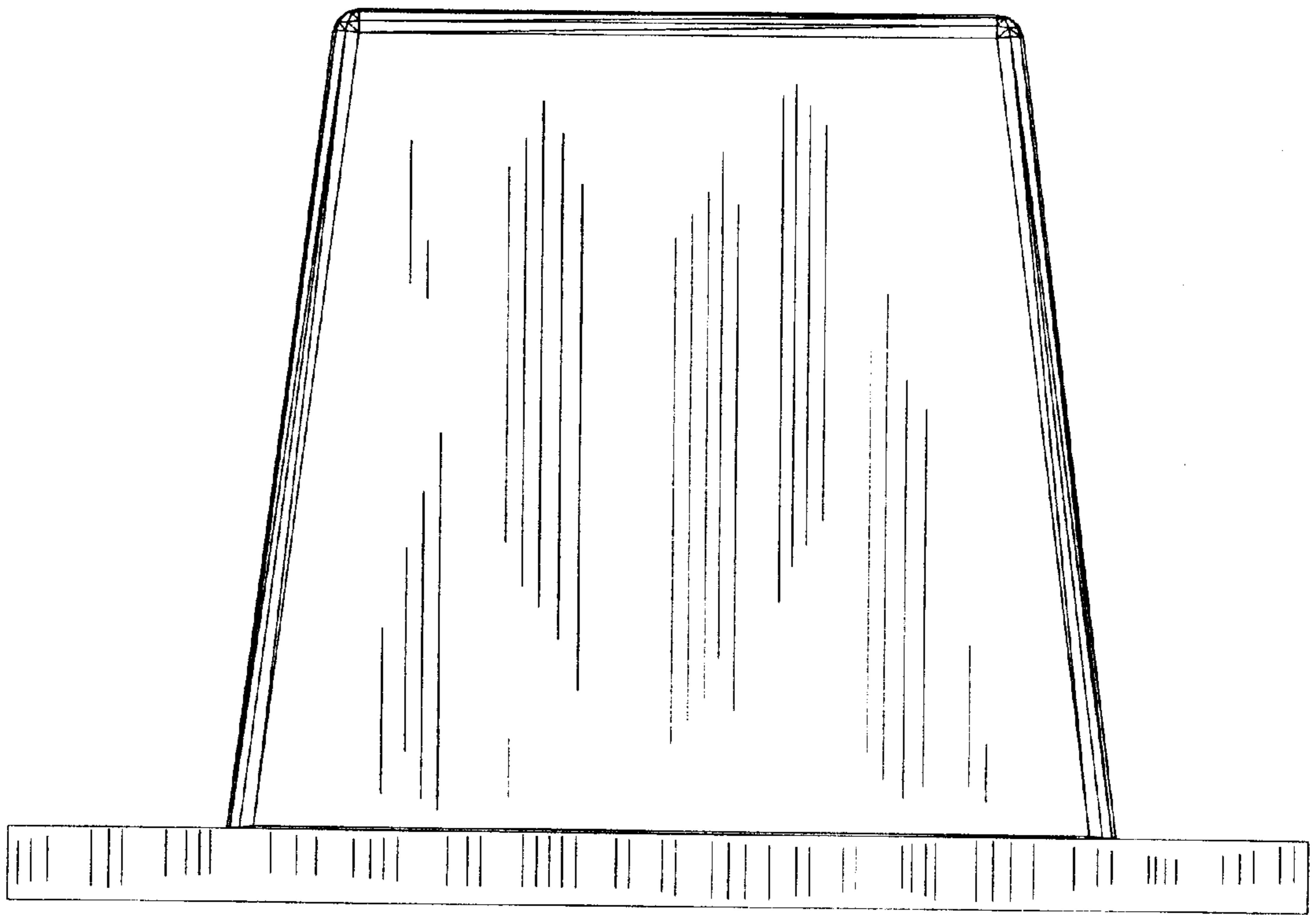


FIG. 7

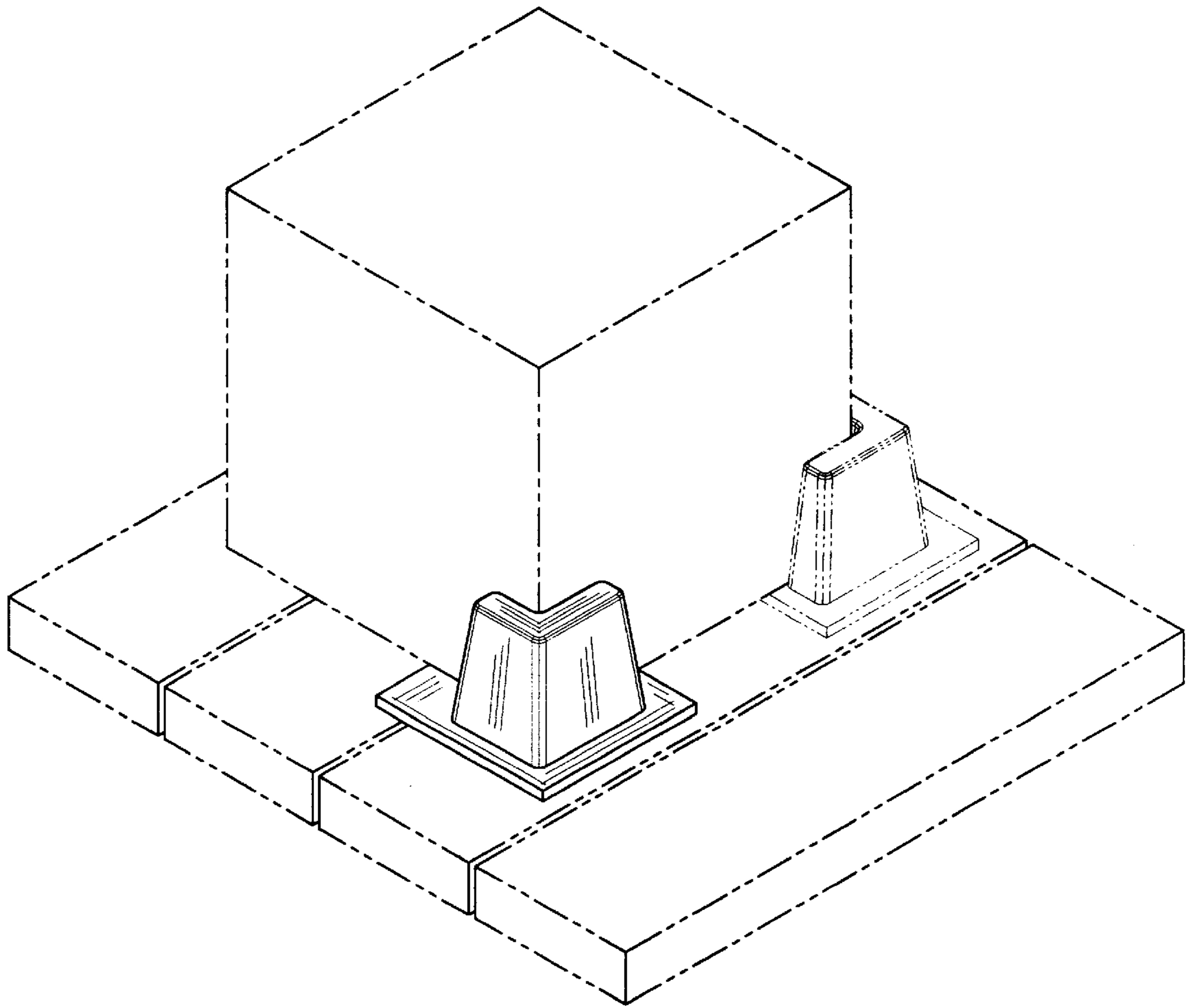


FIG.8