



US00D429206S

United States Patent [19]

[11] Patent Number: **Des. 429,206**

Ito

[45] Date of Patent: **** Aug. 8, 2000**

[54] **WHEEL**

[75] Inventor: **Tomohiro Ito**, Hamamatsu, Japan

[73] Assignee: **Enkei International, Inc.**, Madison Heights, Mich.

[**] Term: **14 Years**

[21] Appl. No.: **29/092,414**

[22] Filed: **Aug. 18, 1998**

[51] **LOC (7) Cl.** **12-16**

[52] **U.S. Cl.** **D12/211**

[58] **Field of Search** D12/204-213;
301/64.1, 65, 37.1

- D. 344,924 3/1994 Braungart et al. D12/211
- D. 375,075 10/1996 Kugler D12/209
- D. 382,530 8/1997 Raudman et al. D12/211
- D. 402,951 12/1998 Wechner D12/211
- D. 406,807 3/1999 Shikado D12/211

Primary Examiner—Stacia Cadmus
Attorney, Agent, or Firm—Rader, Fishman & Grauer PLLC

[57] CLAIM

The ornamental design for a wheel, as shown and described.

DESCRIPTION

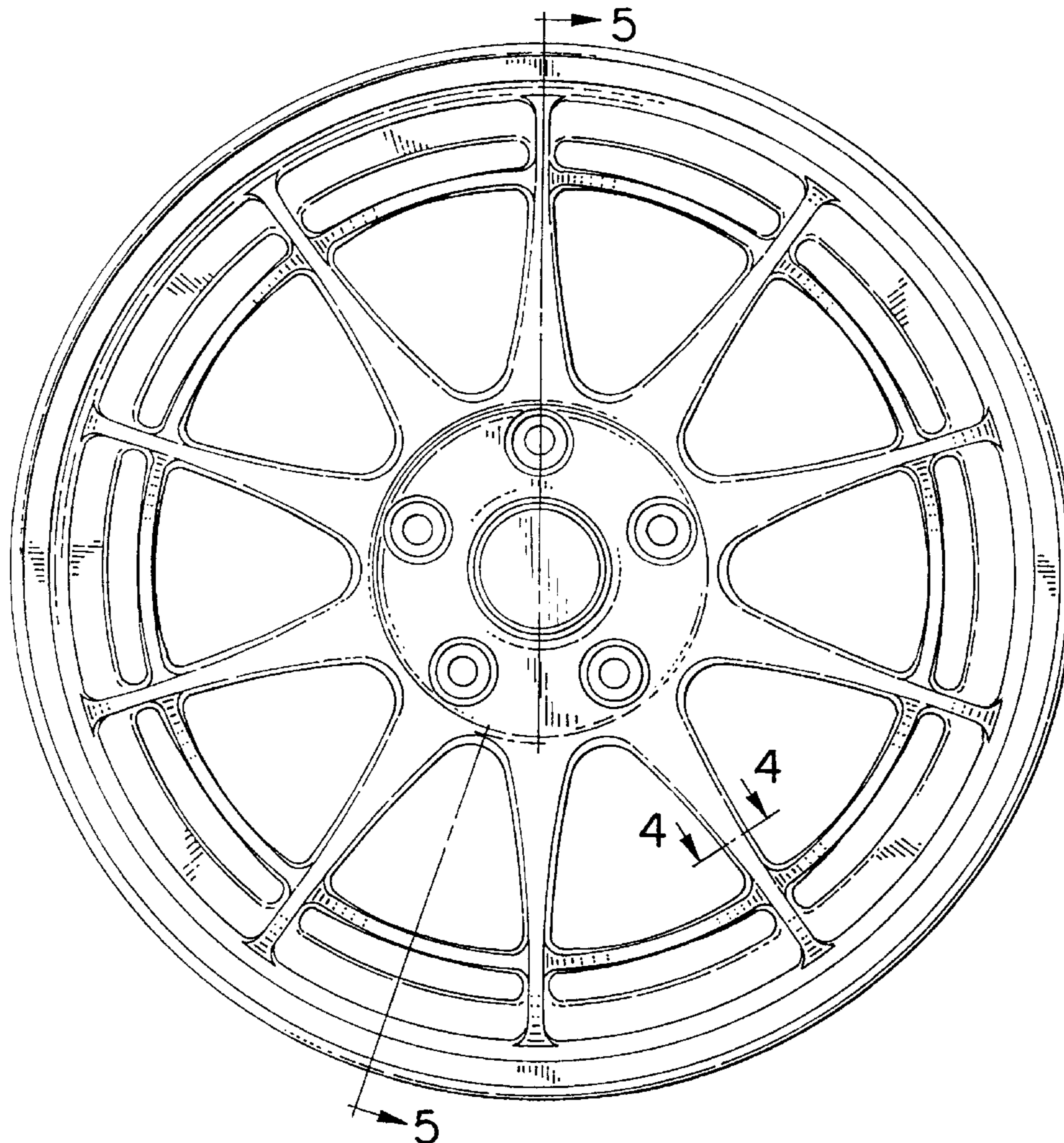
FIG. 1 is a front elevational view of the wheel of the present invention;
 FIG. 2 is a partial narrow angle perspective view of a front portion of the wheel of FIG. 1;
 FIG. 3 is a wide angle partial perspective view of a front portion of the wheel of FIG. 1;
 FIG. 4 is a cross-sectional view taken through line 4—4 of FIG. 1; and,
 FIG. 5 is a cross-sectional view taken through lines 5—5 of FIG. 1.

[56] References Cited

U.S. PATENT DOCUMENTS

- D. 32,459 4/1900 Conner D12/211
- D. 225,626 12/1972 Davidson D12/211
- D. 270,344 8/1983 Cunard et al. D12/211
- D. 294,821 3/1988 Danbom D12/211
- D. 327,049 6/1992 Boyer D12/211
- D. 339,561 9/1993 Maiworm et al. D12/211

1 Claim, 2 Drawing Sheets



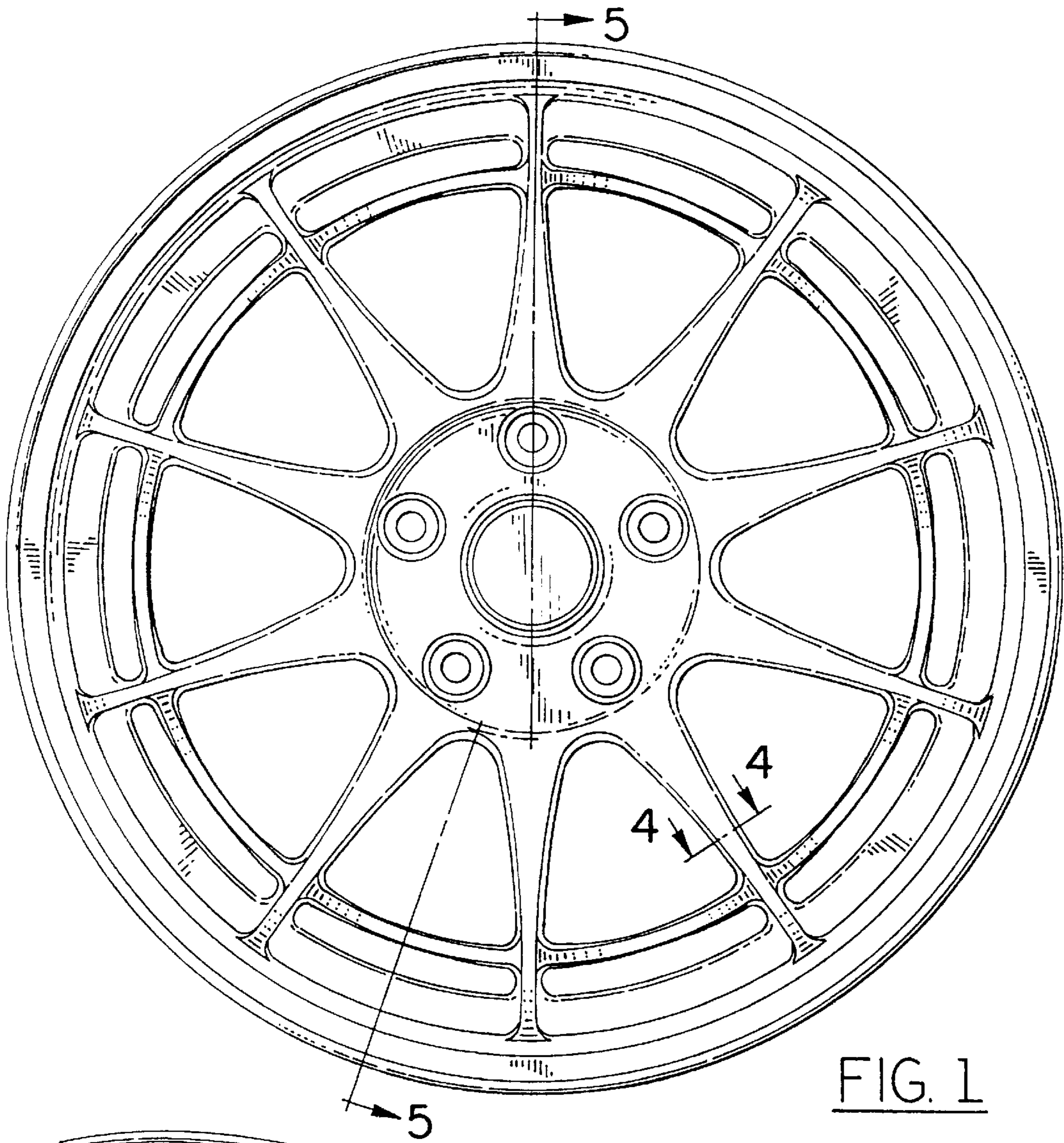


FIG. 1

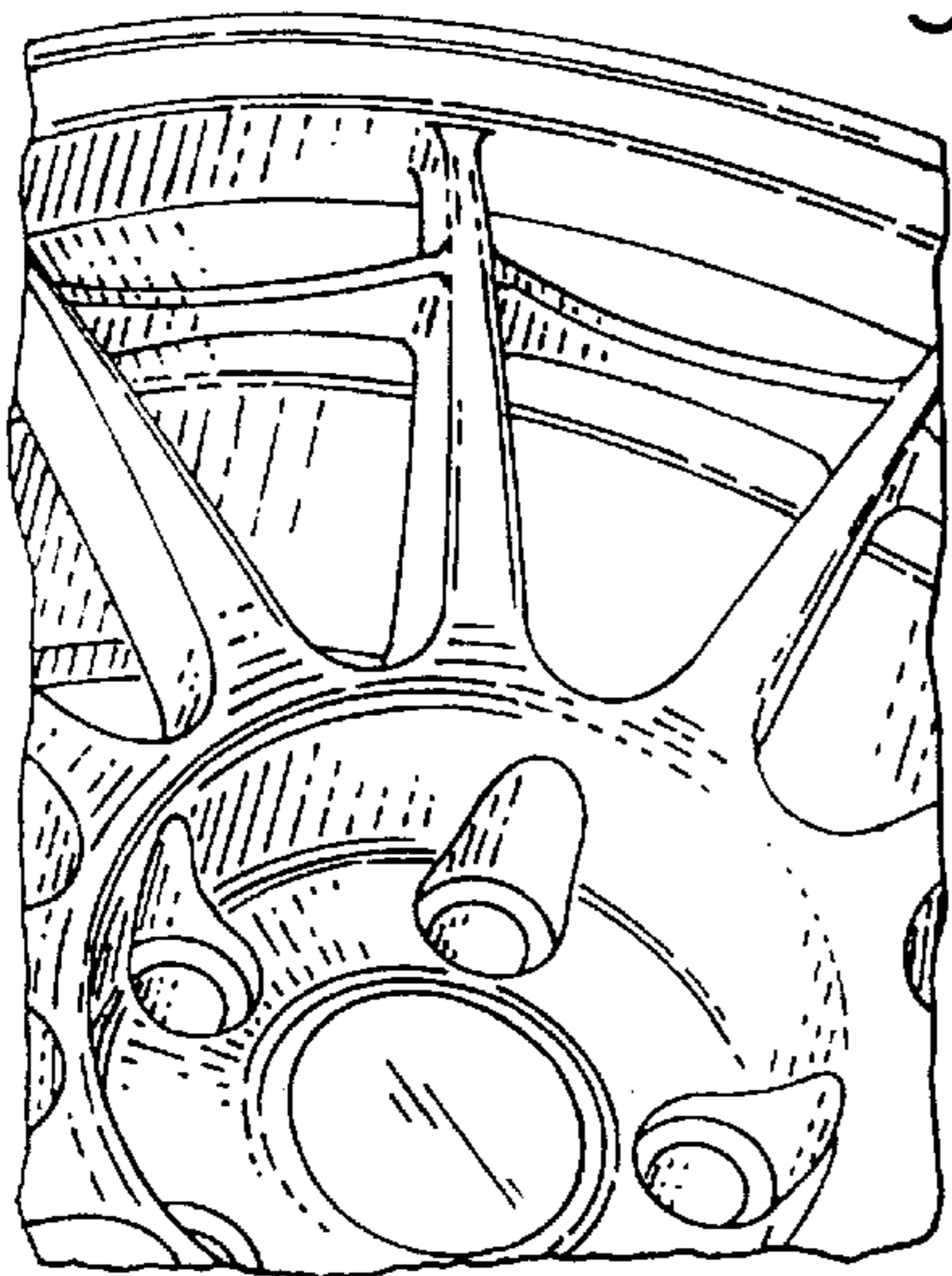


FIG. 2

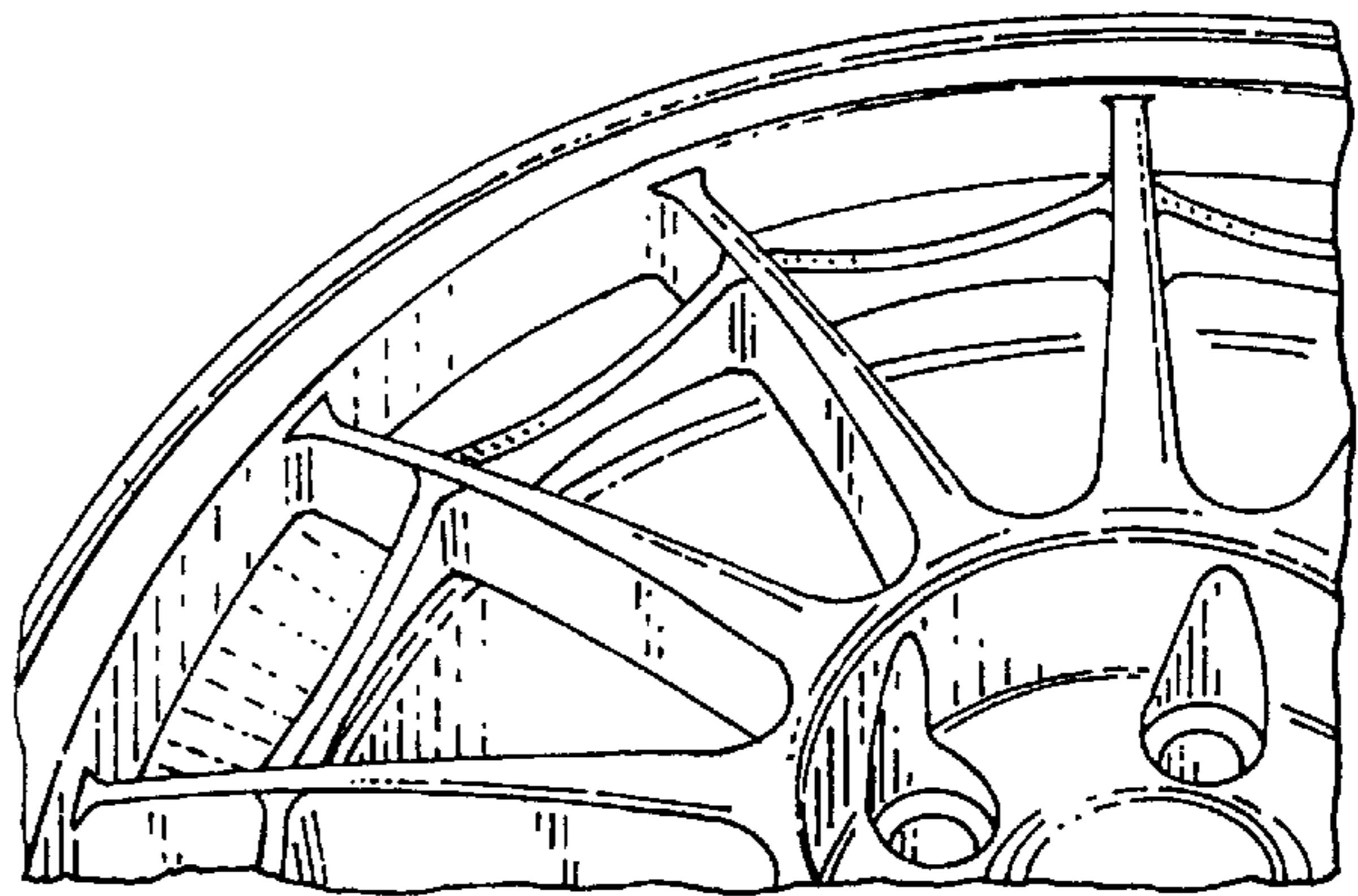


FIG. 3



FIG. 4

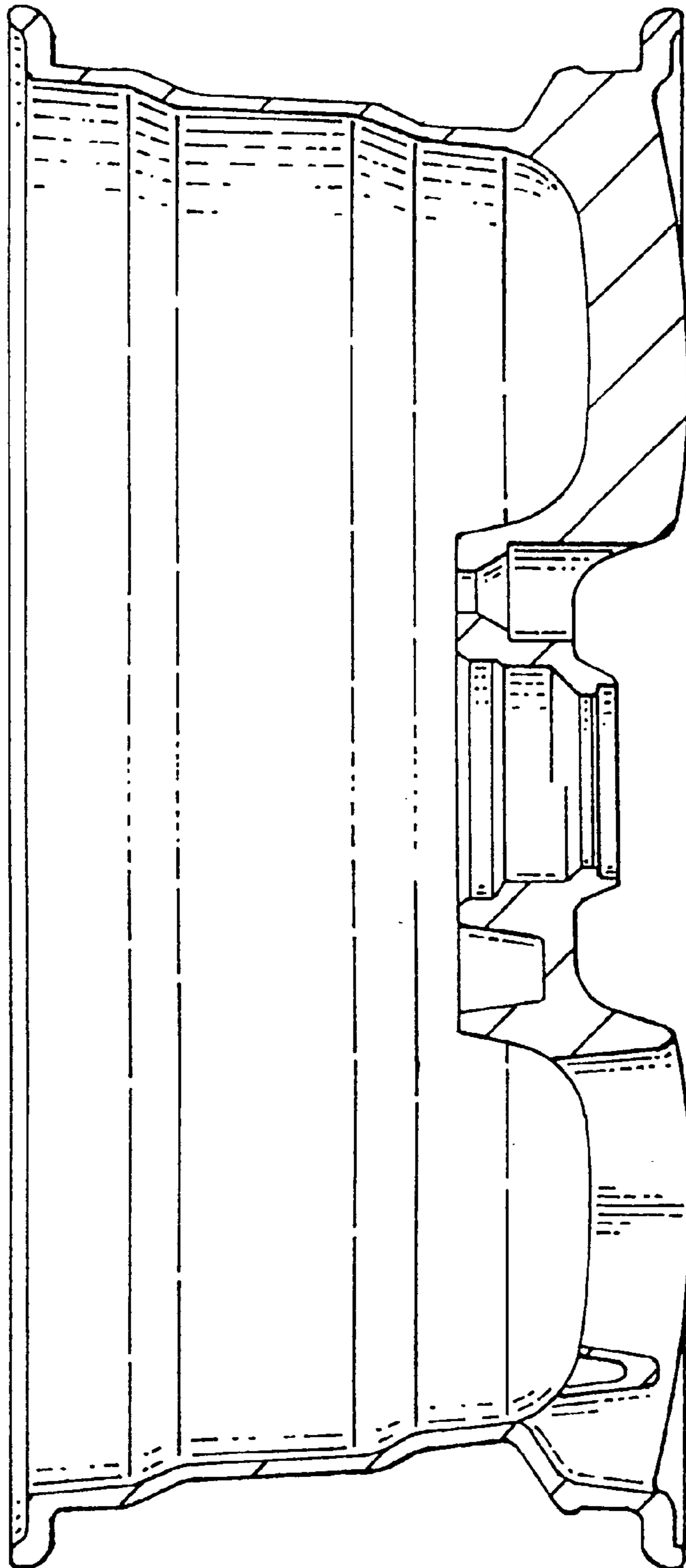


FIG. 5