



US00D429201S

# United States Patent [19]

Hussaini et al.

[11] Patent Number: **Des. 429,201**

[45] Date of Patent: **\*\* Aug. 8, 2000**

[54] **MIRROR**

[75] Inventors: **Saled Hussaini; Marc Iacovelli**, both of Miami, Fla.

[73] Assignee: **Rally Manufacturing**, Miami, Fla.

[\*\*] Term: **14 Years**

[21] Appl. No.: **29/110,798**

[22] Filed: **Sep. 15, 1999**

[51] **LOC (7) Cl.** ..... **12-16**

[52] **U.S. Cl.** ..... **D12/188**

[58] **Field of Search** ..... D12/187-189;  
359/838, 843, 844, 850, 868, 871, 872,  
874, 876, 877, 881, 841; 248/475.1, 480,  
481, 479, 487, 494, 483

[56] **References Cited**

**U.S. PATENT DOCUMENTS**

- D. 391,274 2/1998 Hook et al. .... D12/187
- D. 402,950 12/1998 Fitzpatrick ..... D12/187
- 5,327,288 7/1994 Wellington et al. .... 359/606

*Primary Examiner*—Ralf Seifert

*Attorney, Agent, or Firm*—Liniak, Berenato, Longacre & White

[57] **CLAIM**

The ornamental design for a mirror, as shown and described.

**DESCRIPTION**

FIG. 1 is a front view of the mirror according to the present invention.

FIG. 2 is a rear view of the mirror of FIG. 1 according to the present invention.

FIG. 3 is a right side view of the mirror of FIG. 1 according to the present invention.

FIG. 4 is a left side view of the mirror of FIG. 1 according to the present invention.

FIG. 5 is a top view of the mirror of FIG. 1 according to the present invention.

FIG. 6 is a bottom view of the mirror of FIG. 1 according to the present invention; and,

FIG. 7 is a front elevational perspective view of the mirror of FIG. 1 according to the present invention.

It being understood that the broken lines are for illustrative purposes only.

**1 Claim, 4 Drawing Sheets**

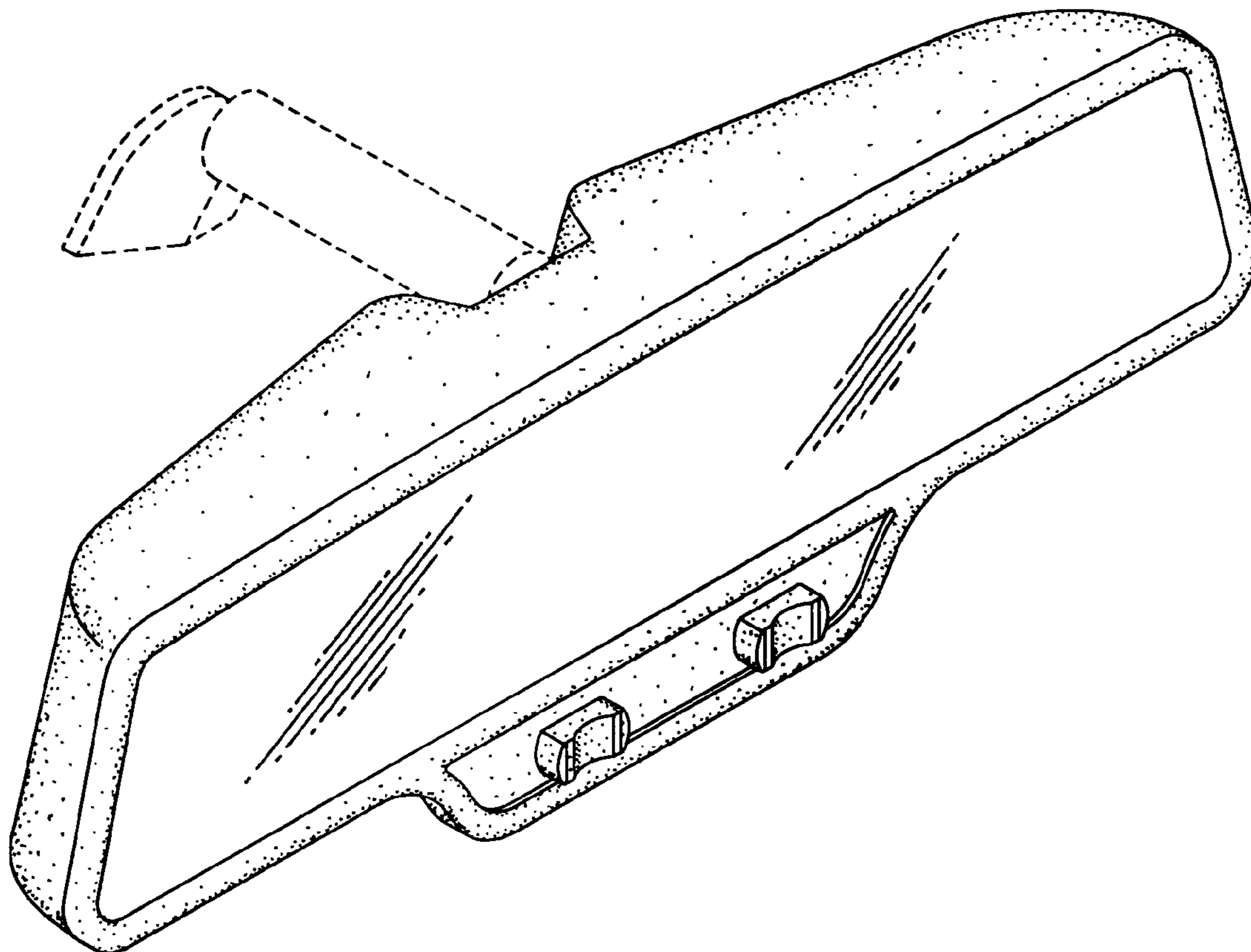


Fig. 1

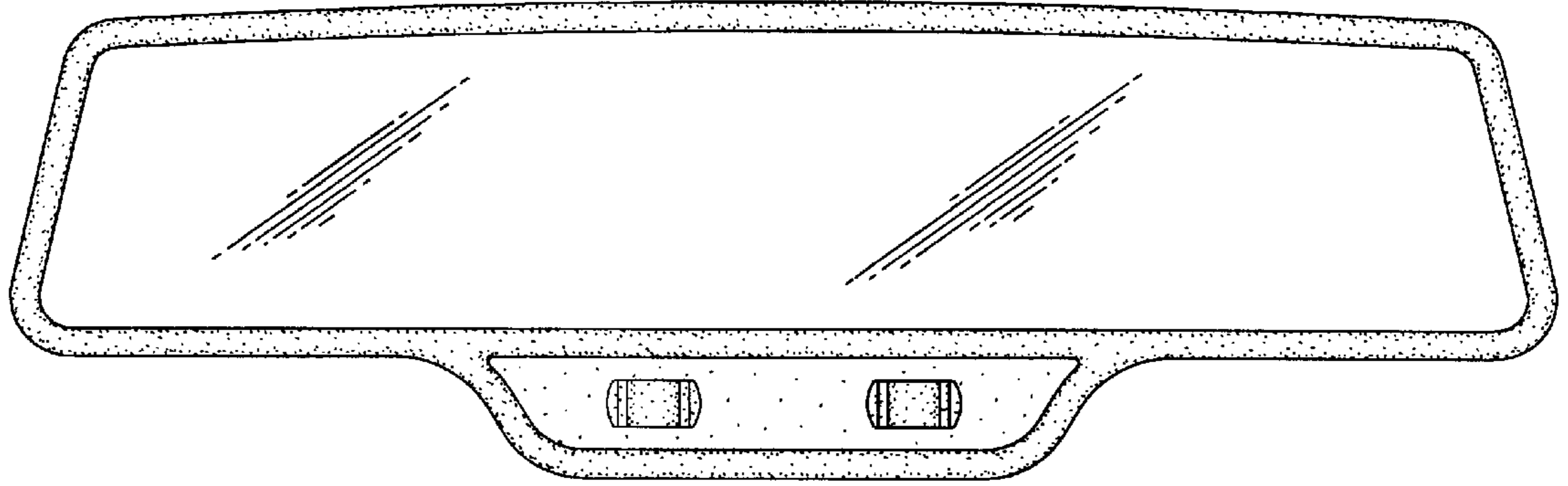


Fig. 2

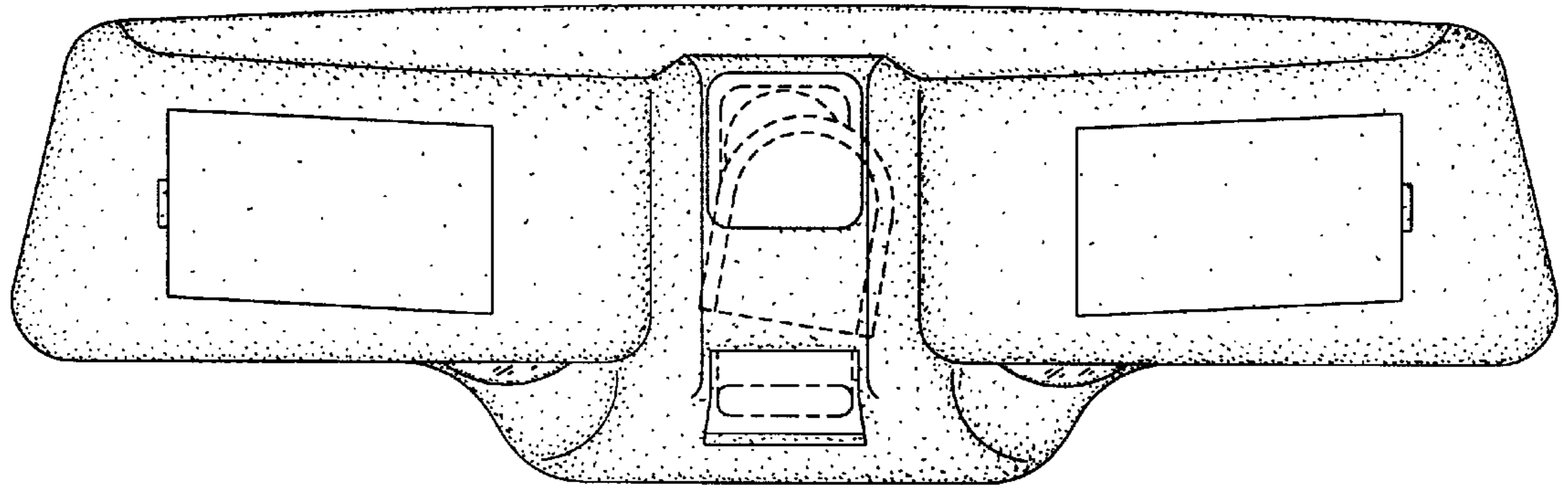


Fig. 3

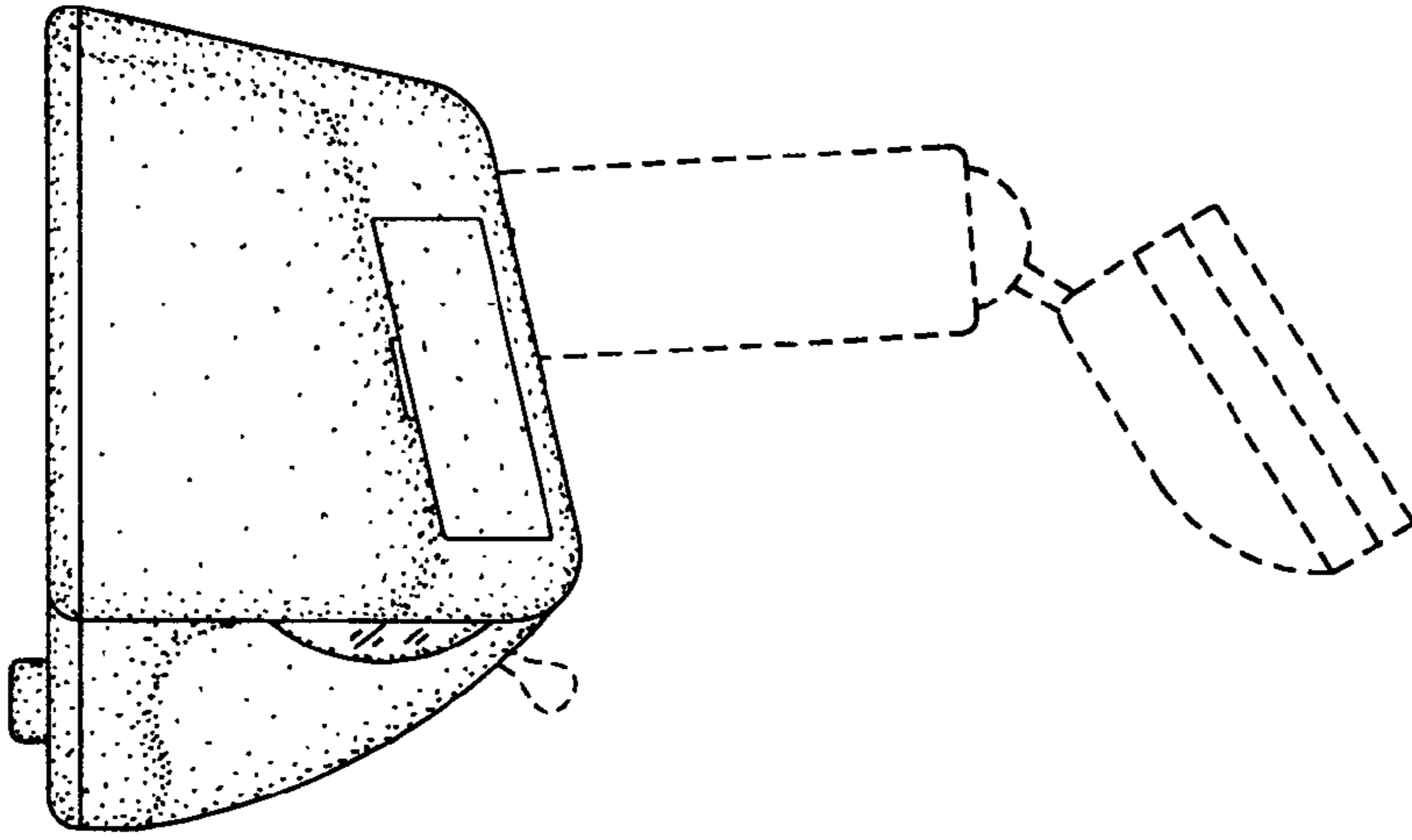


Fig. 4

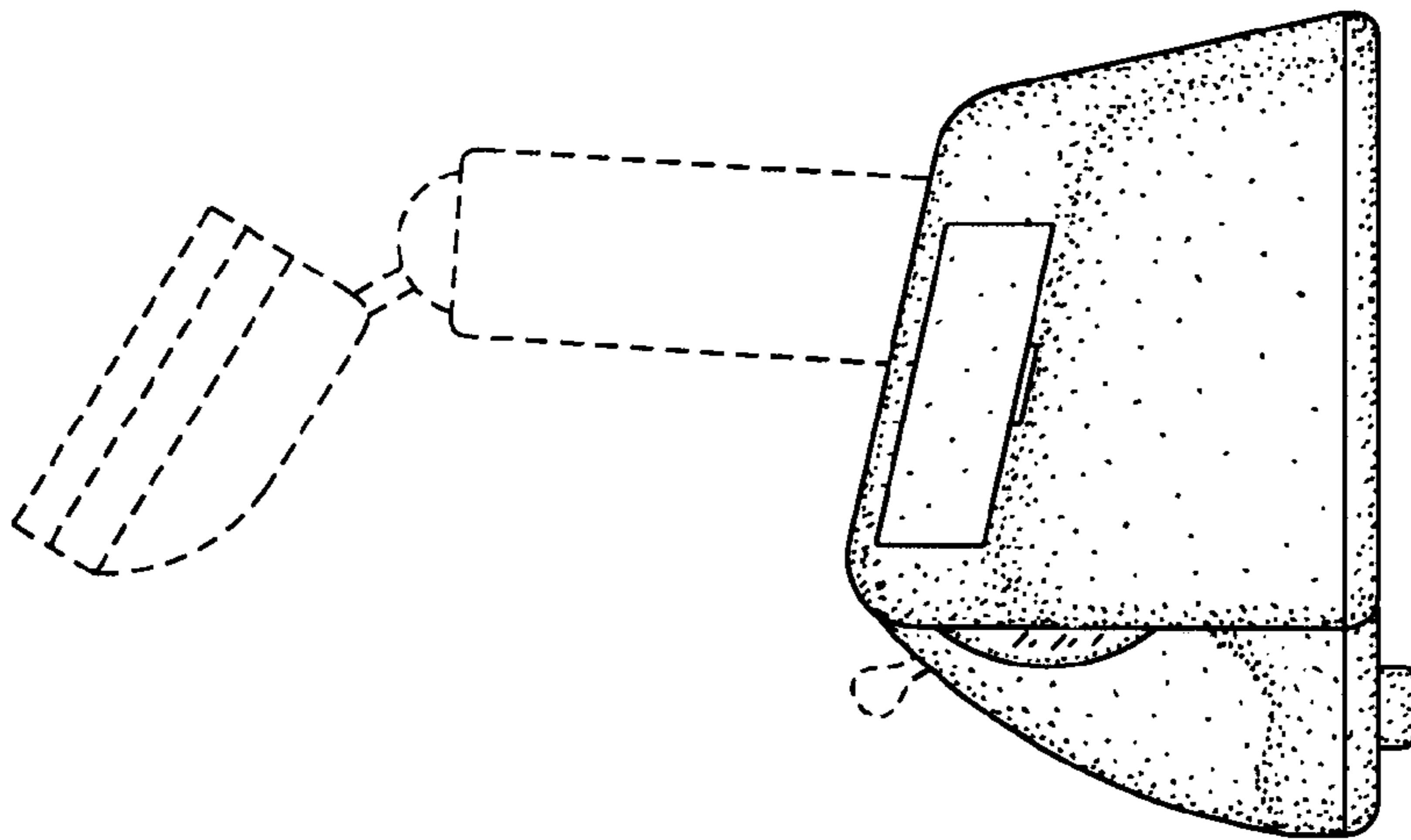


Fig. 5

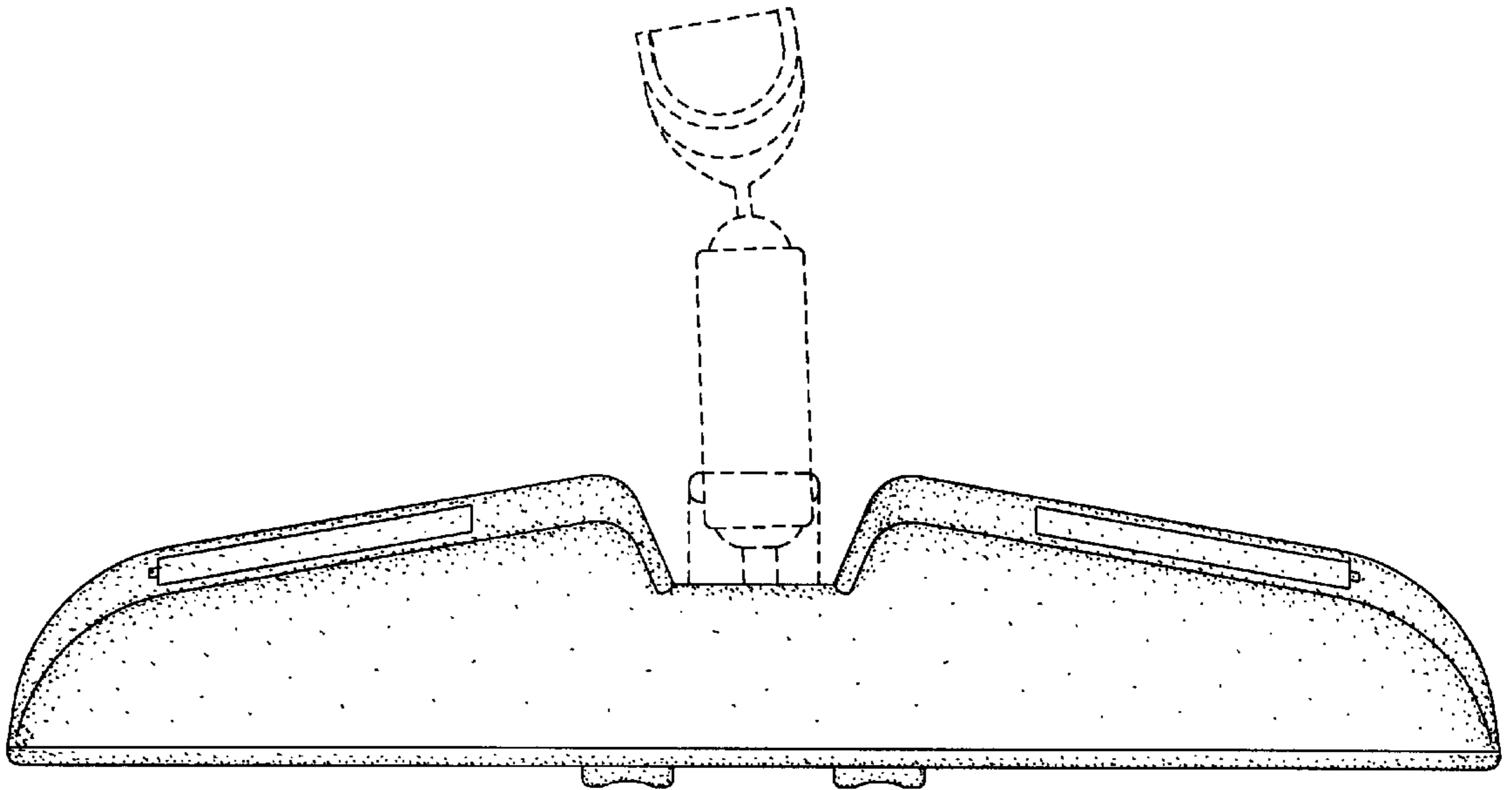


Fig. 6

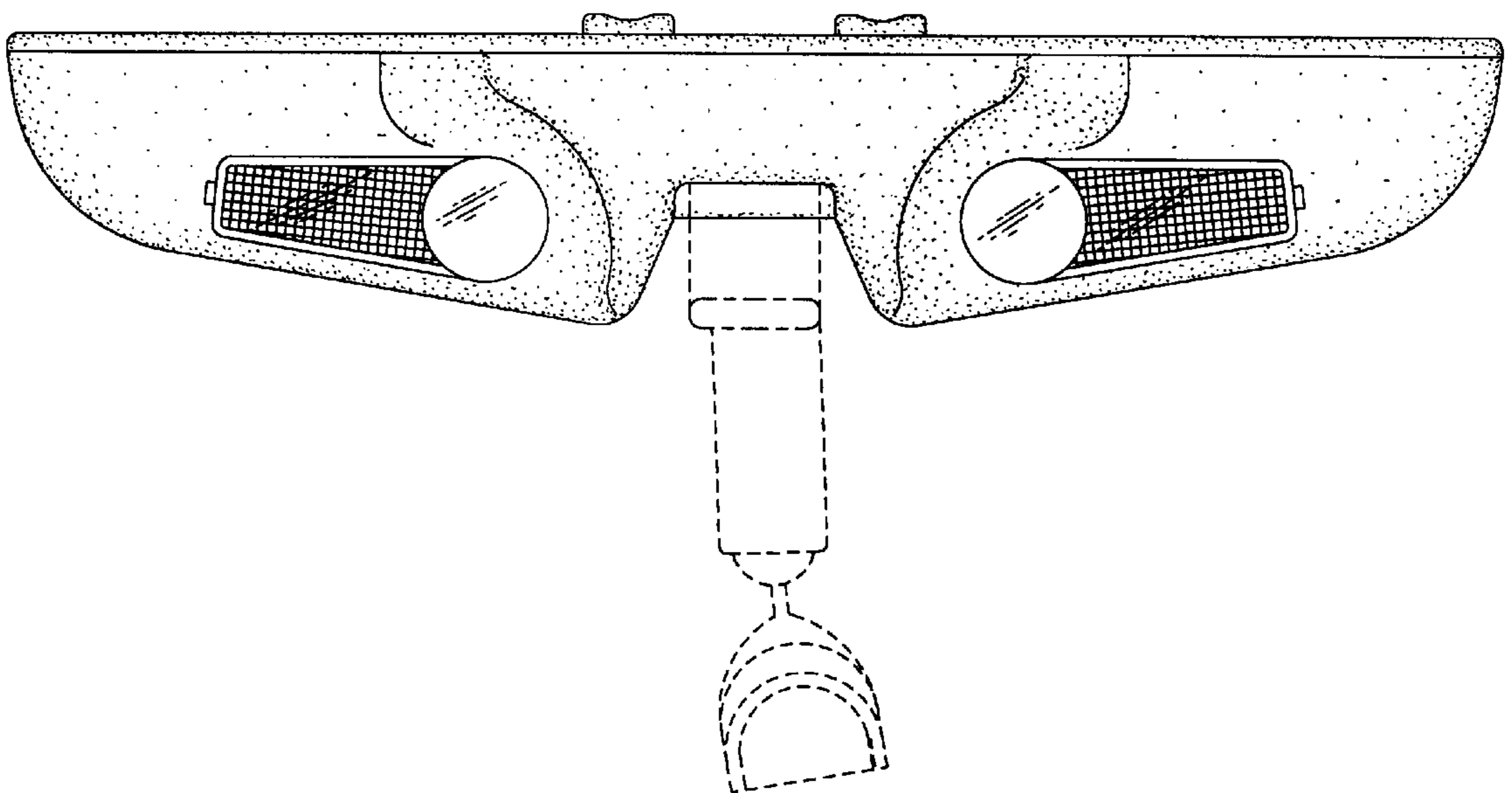


Fig. 7

