



US00D429196S

United States Patent [19]

Sacco et al.

[11] Patent Number: Des. 429,196

[45] Date of Patent: ** Aug. 8, 2000

[54] EXTERIOR SURFACE CONFIGURATION OF A GRILL FOR A VEHICLE

D. 421,734 3/2000 Sacco et al. D12/163
D. 422,249 4/2000 Sacco et al. D12/163

[75] Inventors: Bruno Sacco, Sindelfingen; Peter Pfeiffer, Boeblingen, both of Germany

Primary Examiner—Melody N. Brown
Attorney, Agent, or Firm—Evenson, McKeown, Edwards & Lenahan, P.L.L.C.

[73] Assignee: DaimlerChrysler AG, Stuttgart, Germany

[57] CLAIM

[**] Term: 14 Years

The ornamental design for a exterior surface configuration of a grill for a vehicle, as shown and described.

[21] Appl. No.: 29/101,516

DESCRIPTION

[22] Filed: Mar. 4, 1999

[30] Foreign Application Priority Data

Sep. 4, 1998 [DE] Germany 49808836

FIG. 1 is front view of an exterior surface configuration of a grill for a vehicle according to our novel design; FIG. 2 is a left side view of an exterior surface configuration of a grill for a vehicle according to our novel design; FIG. 3 is a right side view of an exterior surface configuration of a grill for a vehicle according to our novel design; FIG. 4 is a top view of an exterior surface configuration of a grill for a vehicle according to our novel design; FIG. 5 is a bottom view of an exterior surface configuration of a grill for a vehicle according to our novel design; and, FIG. 6 is a perspective view from the front of an exterior surface configuration of a grill for a vehicle according to our novel design.

[51] LOC (7) Cl. 12-16

[52] U.S. Cl. D12/163

[58] Field of Search D12/163, 171; 180/38.6; 293/115, 117, 120, 113

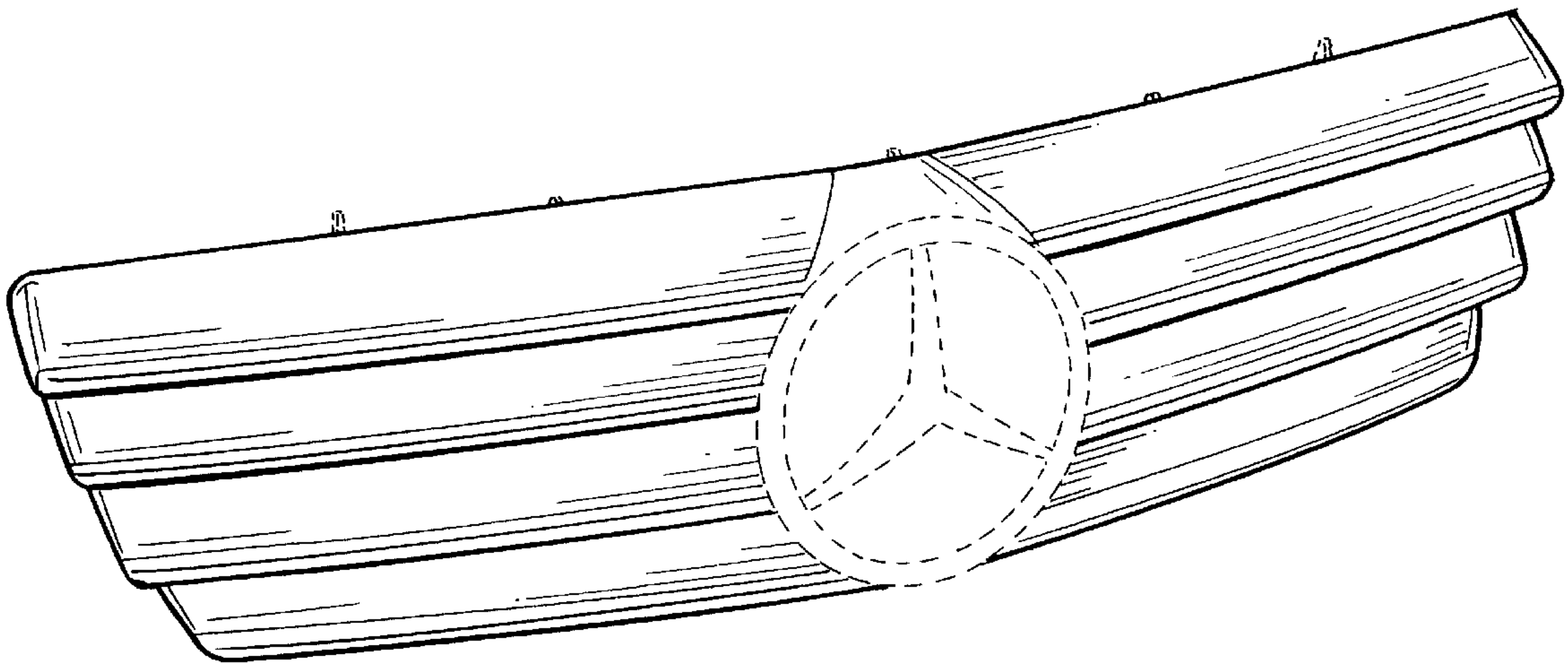
The broken line included depicts environment and is not part of the claimed design.

[56] References Cited

U.S. PATENT DOCUMENTS

- D. 391,538 3/1998 Sacco et al. D12/163
- D. 396,677 8/1998 Sacco et al. D12/163
- D. 403,285 12/1998 Abalos et al. D12/163
- D. 411,210 6/1999 Solbert et al. D12/163 X

1 Claim, 3 Drawing Sheets



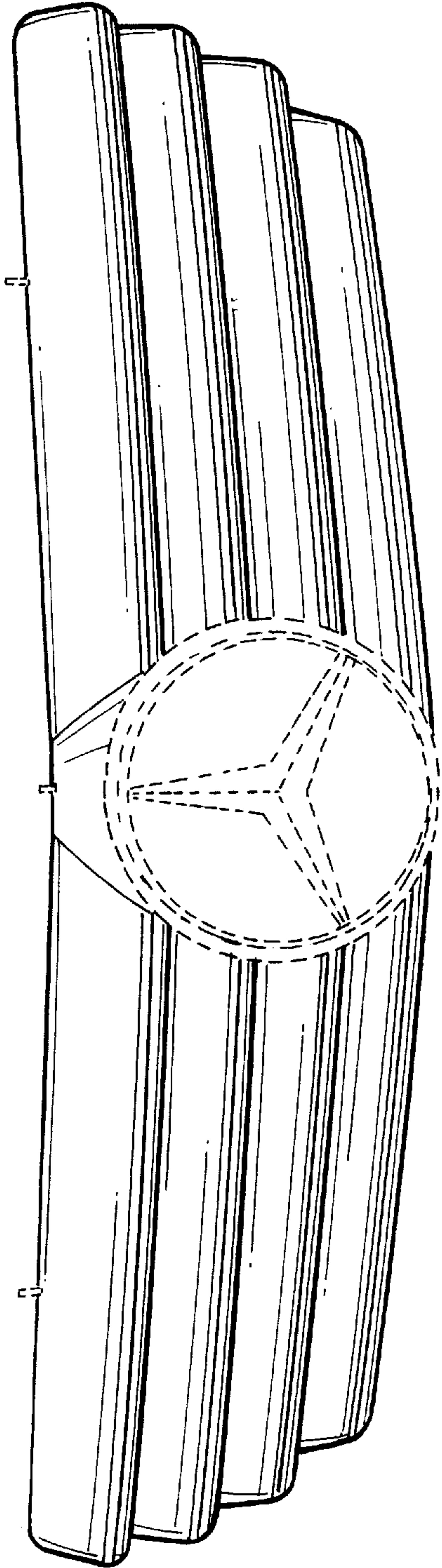


FIG. 1

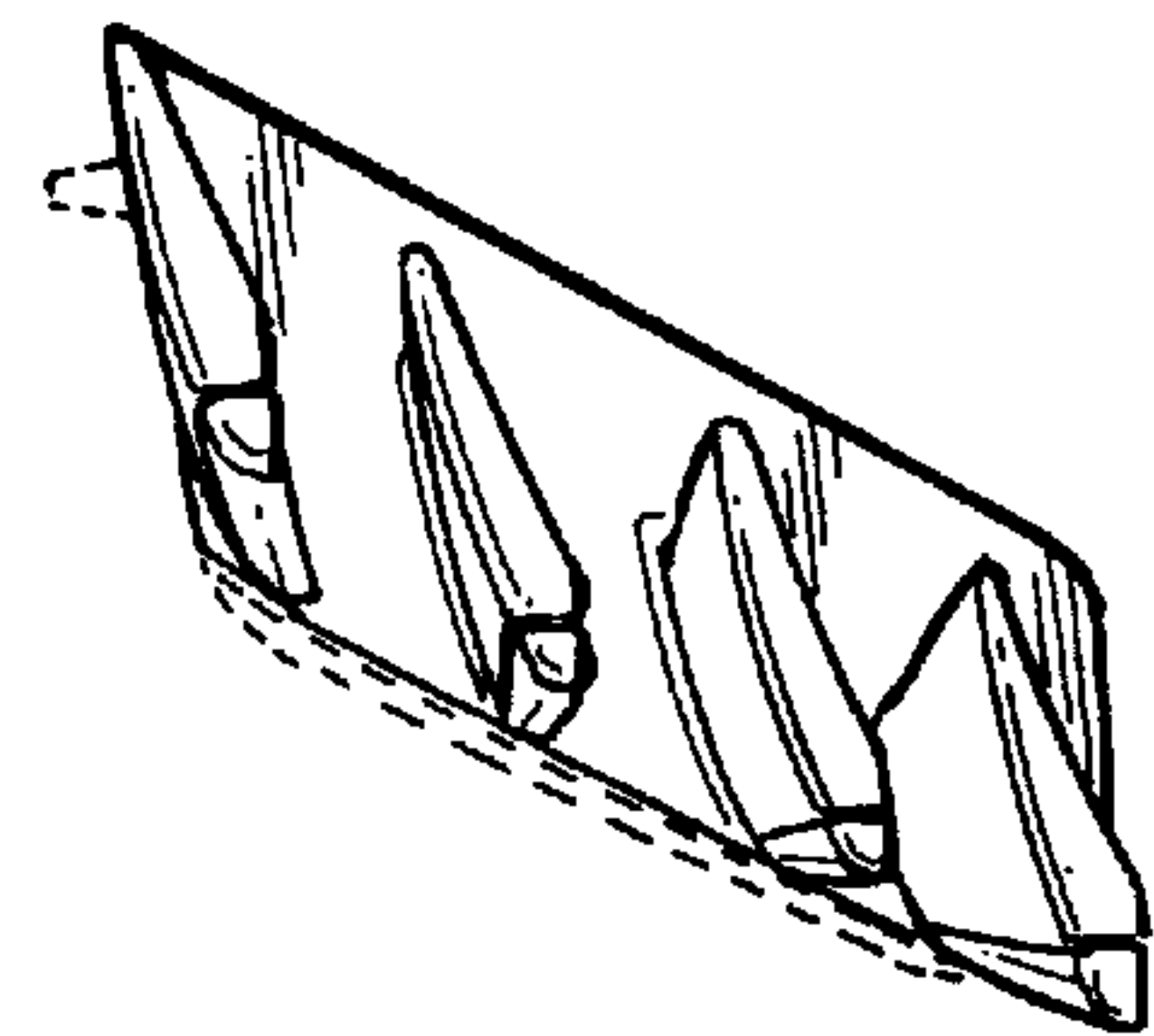


FIG. 2

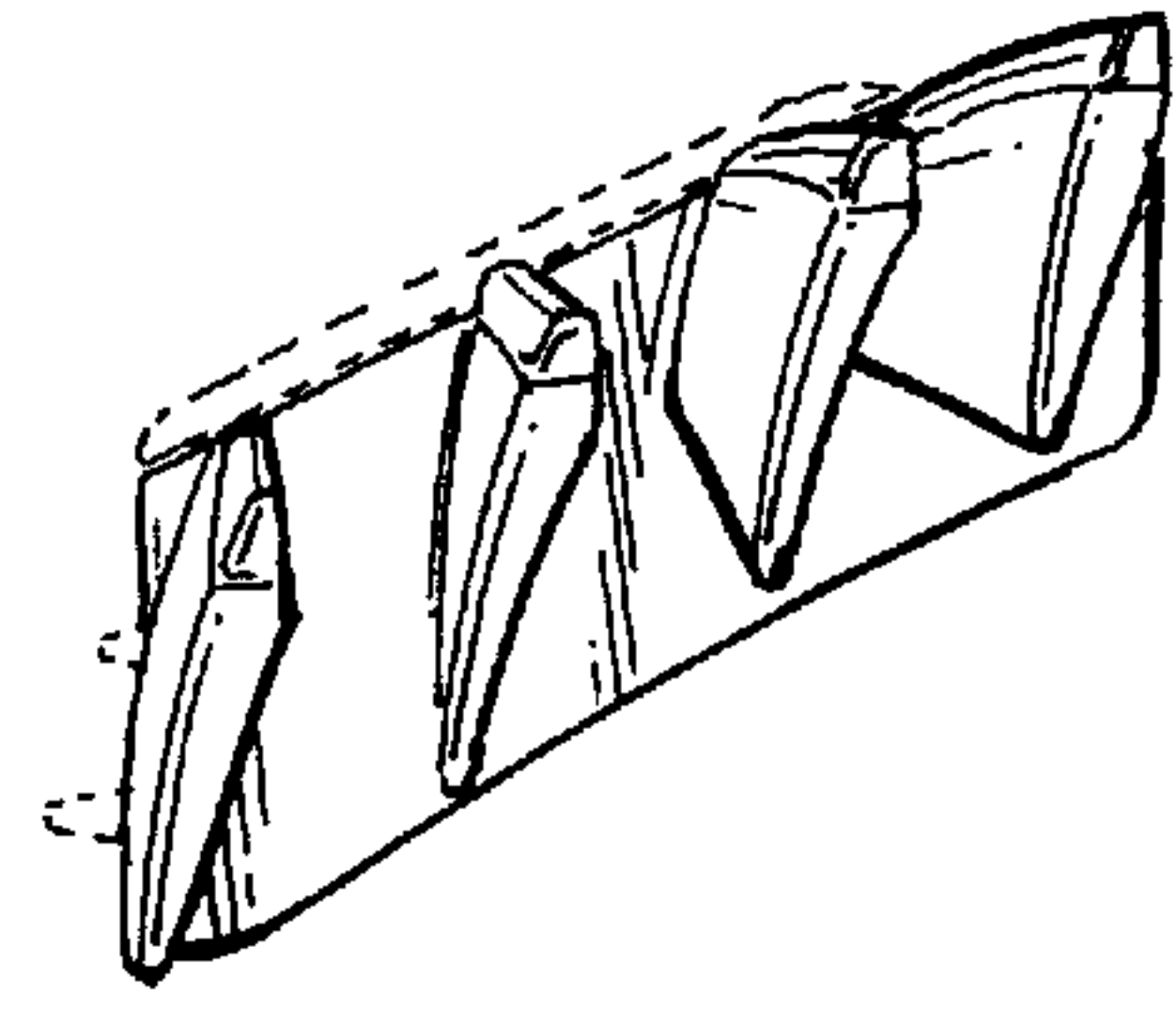


FIG. 3

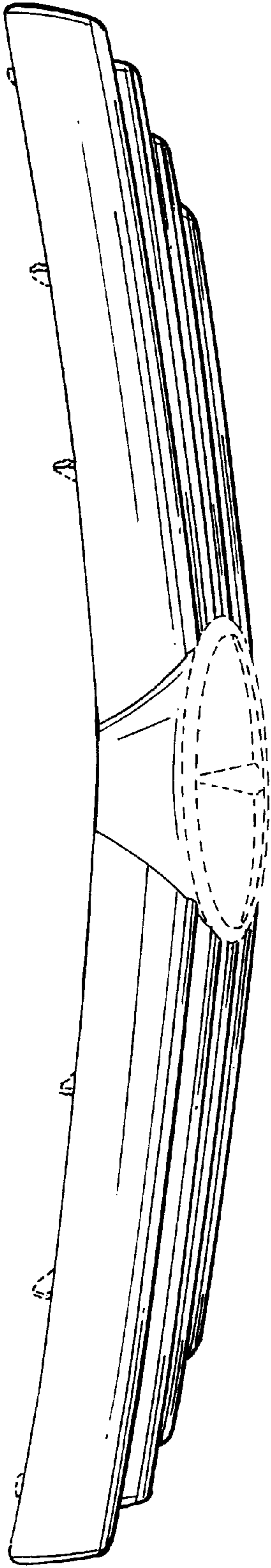


FIG. 4

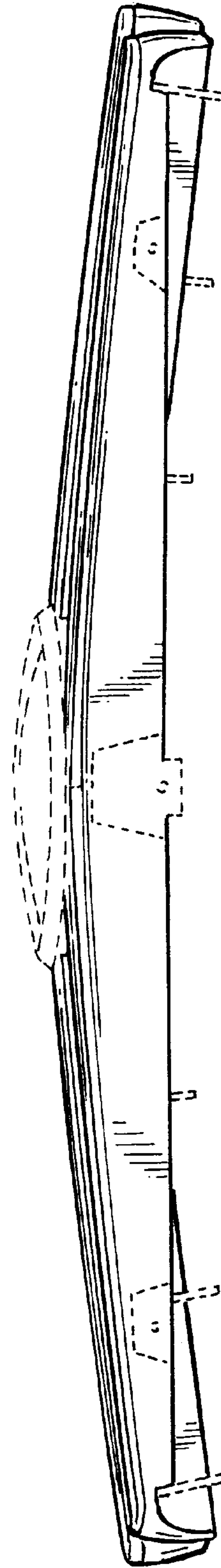


FIG. 5

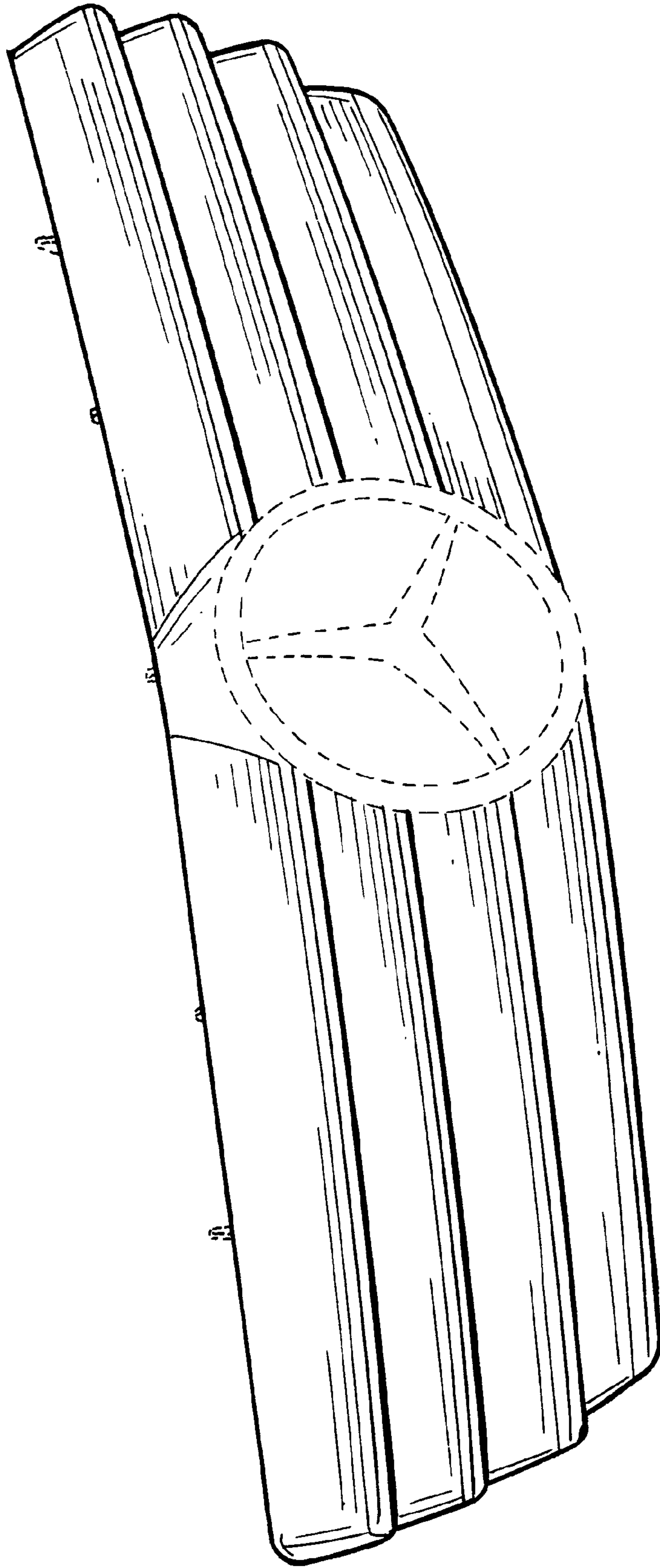


FIG. 6