



US00D429189S

# United States Patent [19]

Boznar et al.

[11] Patent Number: Des. 429,189

[45] Date of Patent: \*\* Aug. 8, 2000

[54] TIRE TREAD

[75] Inventors: **Silvo Boznar**, Medvode, Slovenia;  
**Richard Heinen**, Habay-la-Neuve,  
Belgium; **Anne-France Gabrielle  
Jeanne-Marie Cambron**, Angelsberg,  
Luxembourg; **Pascale de  
Briey-Terlinden**, Lischert, Belgium

[73] Assignee: **The Goodyear Tire & Rubber  
Company**, Akron, Ohio

[\*\*] Term: **14 Years**

[21] Appl. No.: **29/111,062**

[22] Filed: **Sep. 17, 1999**

[51] LOC (7) Cl. .... **12-15**

[52] U.S. Cl. .... **D12/146**

[58] Field of Search ..... D12/138-152;  
152/209.1, 209.8, 209.9, 209.11, 209.13,  
209.28, 900, 901, 902, 903

[56] **References Cited**

**U.S. PATENT DOCUMENTS**

D. 281,408	11/1985	Graas .	
D. 295,033	4/1988	Fontaine et al. .	
D. 295,507	5/1988	Baus et al. .	
D. 303,363	9/1989	Graas .....	D12/147
D. 349,672	8/1994	Seimiya et al. .	
D. 349,673	8/1994	Seimiya et al. .	
D. 354,035	1/1995	McKisson .	
D. 379,441	5/1997	Villamizar et al. .	

D. 380,712	7/1997	Ochi et al. .	
D. 381,607	7/1997	Attinello et al. .	
D. 383,422	9/1997	Kunos et al. .	
D. 384,607	10/1997	Attinello et al. .	
D. 392,226	3/1998	Howald et al. .	
D. 397,975	9/1998	Himuro .	
D. 400,140	10/1998	Graas .	
D. 409,958	5/1999	Gerresheim et al. .	
D. 412,144	7/1999	Demagall et al. ....	D12/146
D. 415,451	10/1999	Weber et al. ....	D12/146
D. 416,833	11/1999	Weber et al. ....	D12/146
D. 416,839	11/1999	Heinen et al. ....	D12/147
D. 419,115	1/2000	Weber et al. ....	D12/146

*Primary Examiner*—Robert M. Spear  
*Attorney, Agent, or Firm*—T P Lewandowski

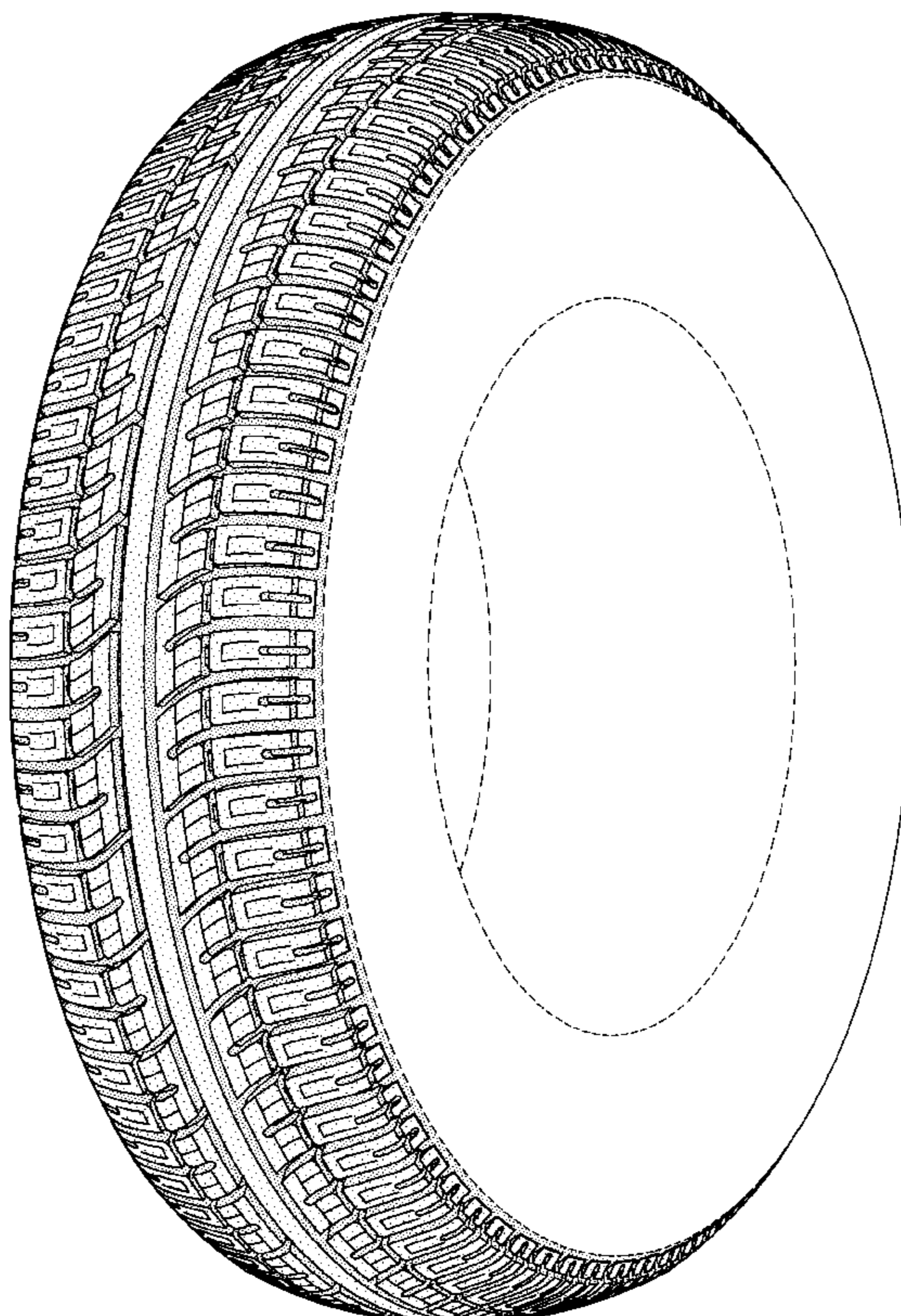
[57] **CLAIM**

The ornamental design for a tire tread, as shown and described.

**DESCRIPTION**

FIG. 1 is a perspective view of a tire tread showing our new design, it being understood that the pattern repeats uniformly throughout the circumference of the tread; FIG. 2 is a front elevational view thereof; FIG. 3 is a side elevational view thereof, the opposite side elevational view being identical thereto; and, FIG. 4 is an enlarged fragmentary perspective view. In the drawings, the broken lines defining the inner bead of the sidewall and the peripheral boundary between the tire tread and the sidewall are for illustrative purposes only and form no part of the claimed design.

**1 Claim, 4 Drawing Sheets**



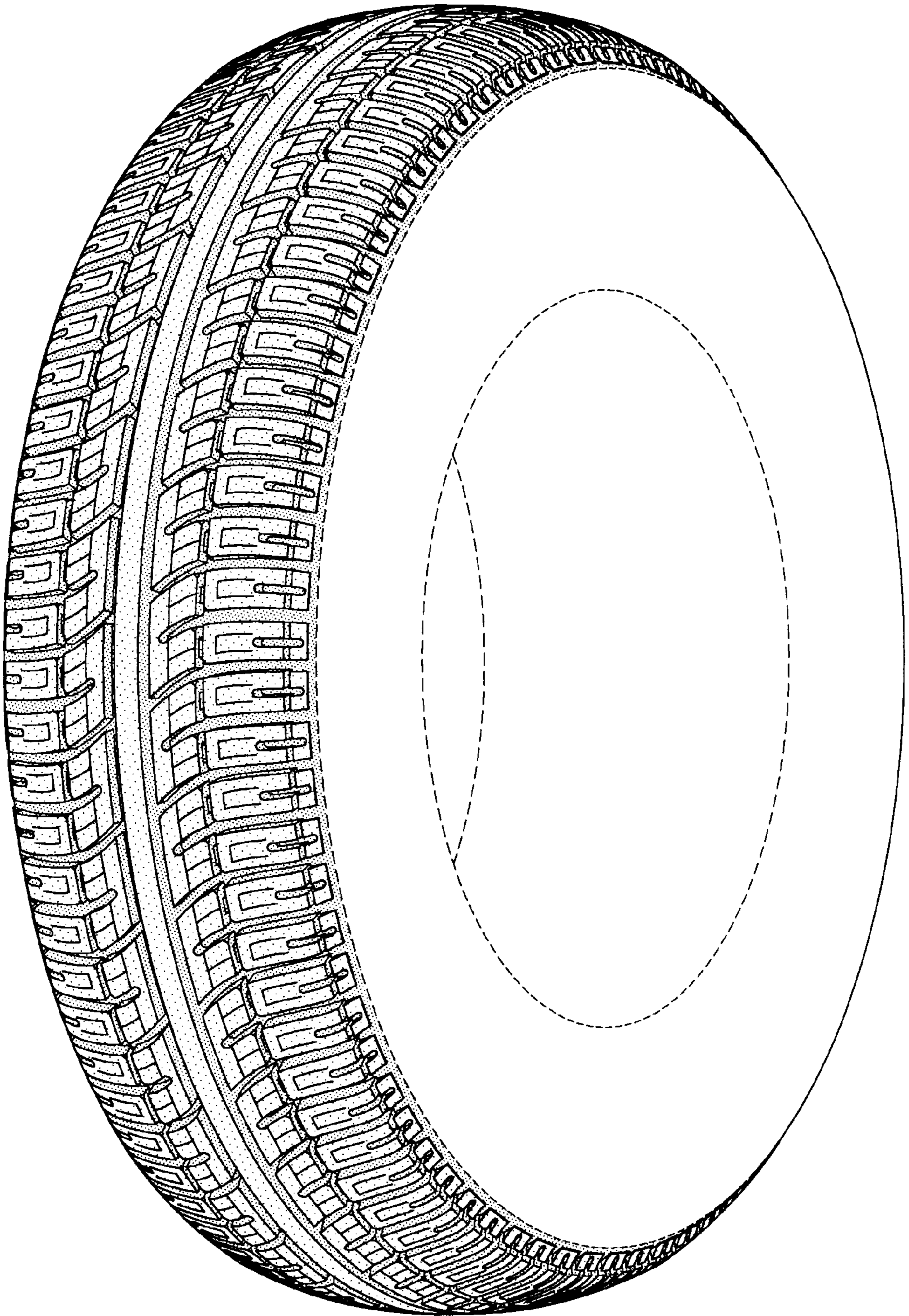


FIG-1

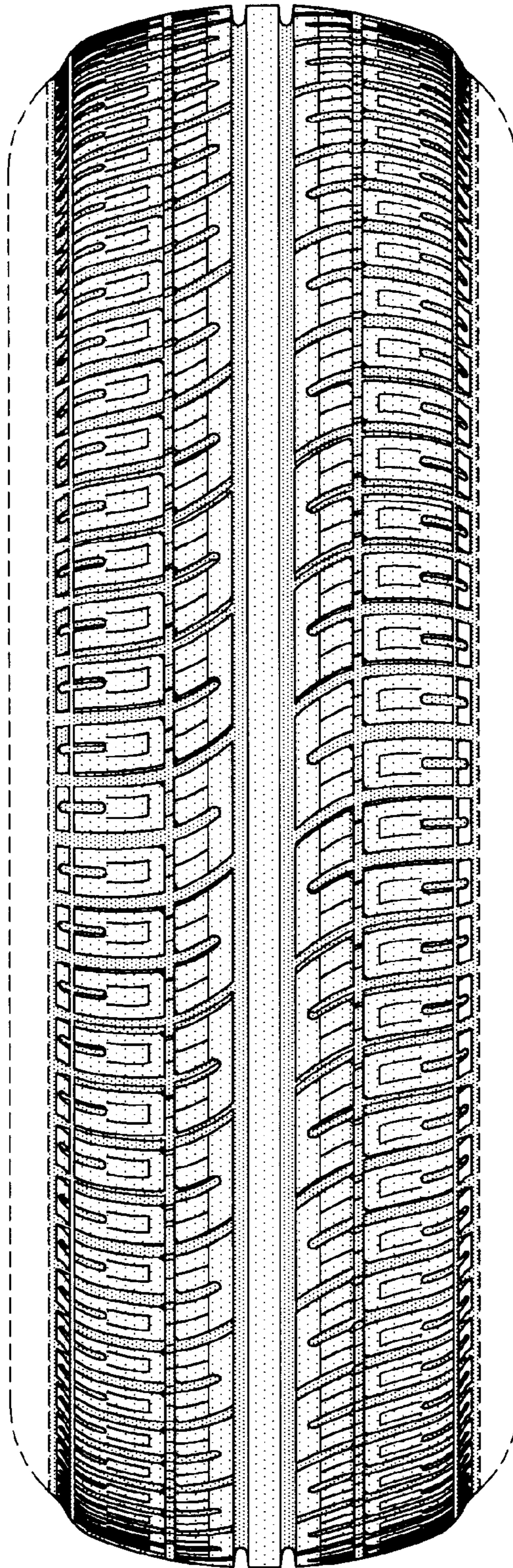


FIG-2

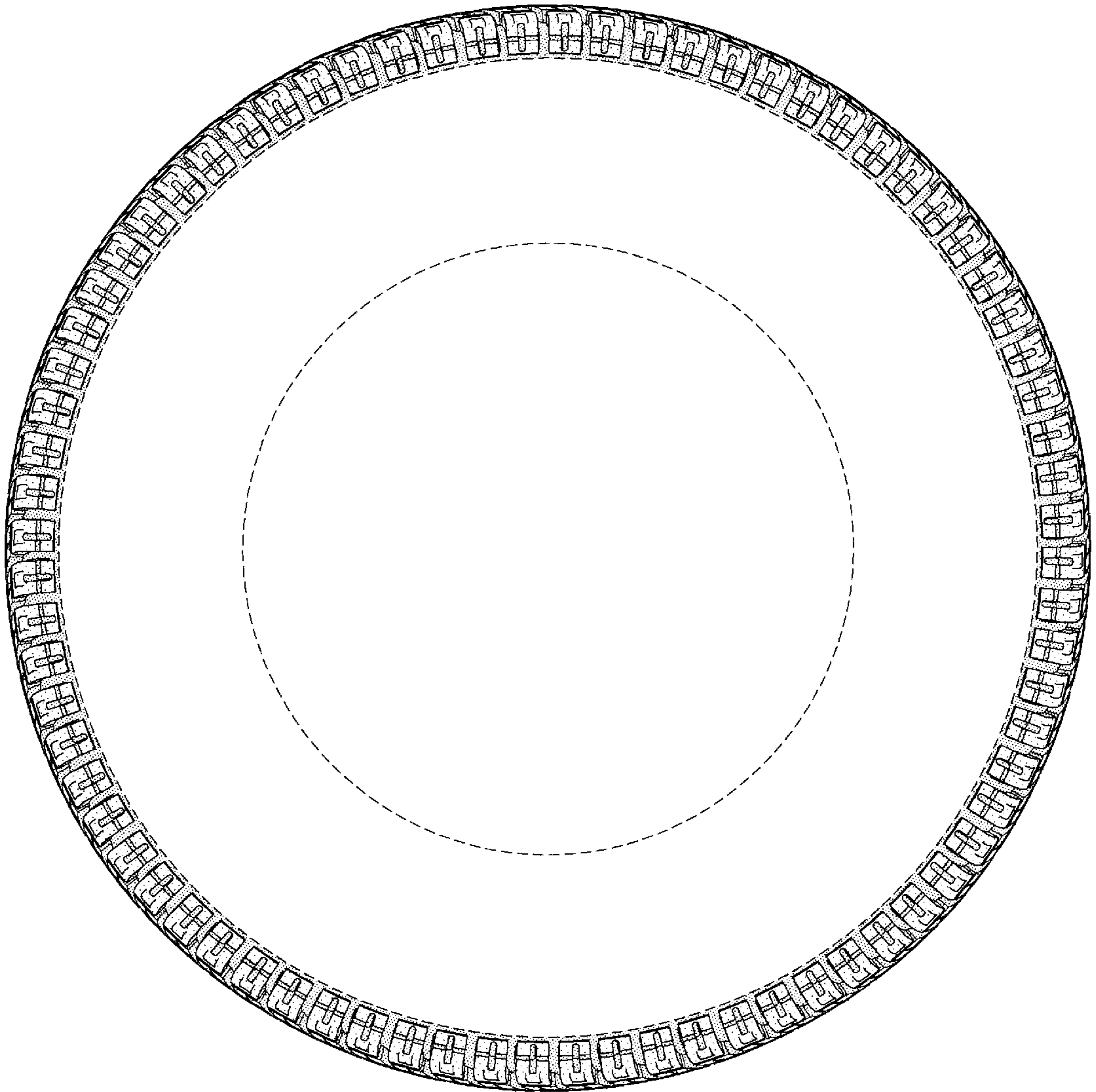


FIG-3

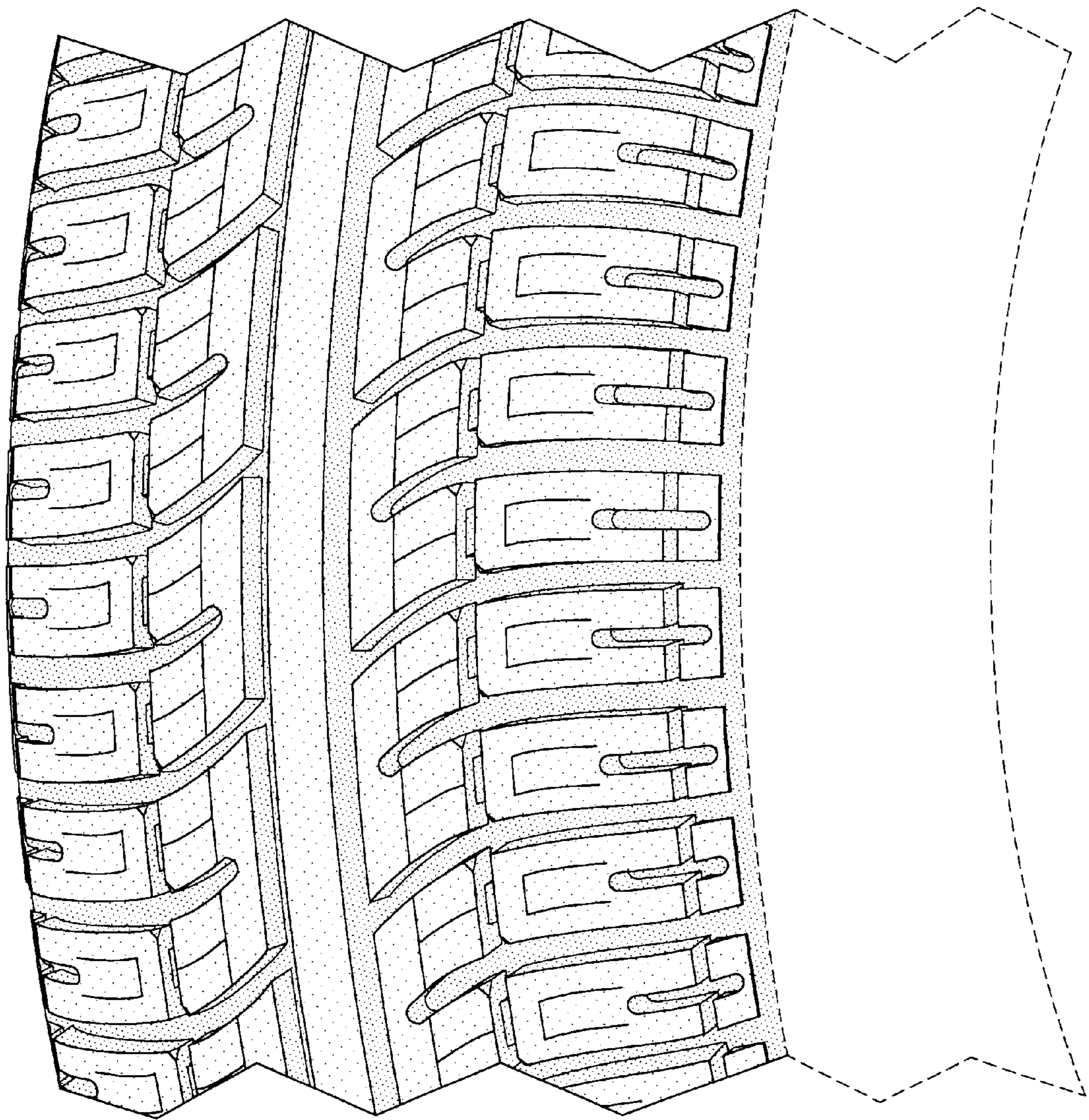


FIG-4