



US00D429188S

United States Patent [19]

Schuster et al.

[11] Patent Number: **Des. 429,188**

[45] Date of Patent: **** Aug. 8, 2000**

[54] TIRE TREAD

[75] Inventors: **Daniel Edward Schuster**, North Royalton; **David Michael Smith, Sr.**, Wadsworth; **Henry Tjhioe-Gwan Kwee**, Akron, all of Ohio

[73] Assignee: **The Goodyear Tire & Rubber Company**, Akron, Ohio

[**] Term: **14 Years**

[21] Appl. No.: **29/115,766**

[22] Filed: **Dec. 20, 1999**

[51] **LOC (7) Cl.** **12-15**

[52] **U.S. Cl.** **D12/143**

[58] **Field of Search** D12/138-152;
152/209.1, 209.8, 209.9, 209.11, 209.13,
209.28, 900, 901, 902, 903

[56] References Cited

U.S. PATENT DOCUMENTS

D. 50,931	6/1917	Carlisle	D12/142
D. 145,155	7/1946	Christie	D12/142
D. 175,996	11/1955	Amspoker	D12/142
D. 202,605	10/1965	Humphries	D12/142
D. 207,379	4/1967	Jones	D12/142
D. 214,149	5/1969	Morstatter	D12/141
D. 216,354	12/1969	Cvengros et al.	D12/141
D. 289,510	4/1987	Ghilardi	D12/142
D. 415,720	10/1999	Roelle et al.	D12/143

OTHER PUBLICATIONS

SIGMA Power King Low Boy HD Tire, 1998 Tread Design Guide, p. 117. 1/1, Jan. 1998.

Delta RR9 On/Off Highway Lug Tire, 1998 Tread Design Guide, p. 133. 2/4, Jan. 1998.

BFGoodrich ST565 Tire, 1998 Tread Design Guide, p. 139, 4/1, Jan. 1998.

GOODYEAR Unisteel G186 Tire, 1998 Tread Design Guide, p. 140. 3/2, Jan. 1998.

Primary Examiner—Robert M. Spear

Attorney, Agent, or Firm—T P Lewandowski

[57] CLAIM

The ornamental design for a tire tread, as shown and described.

DESCRIPTION

FIG. 1 is a perspective view of a tire tread showing our new design, it being understood that the pattern repeats uniformly throughout the circumference of the tread;

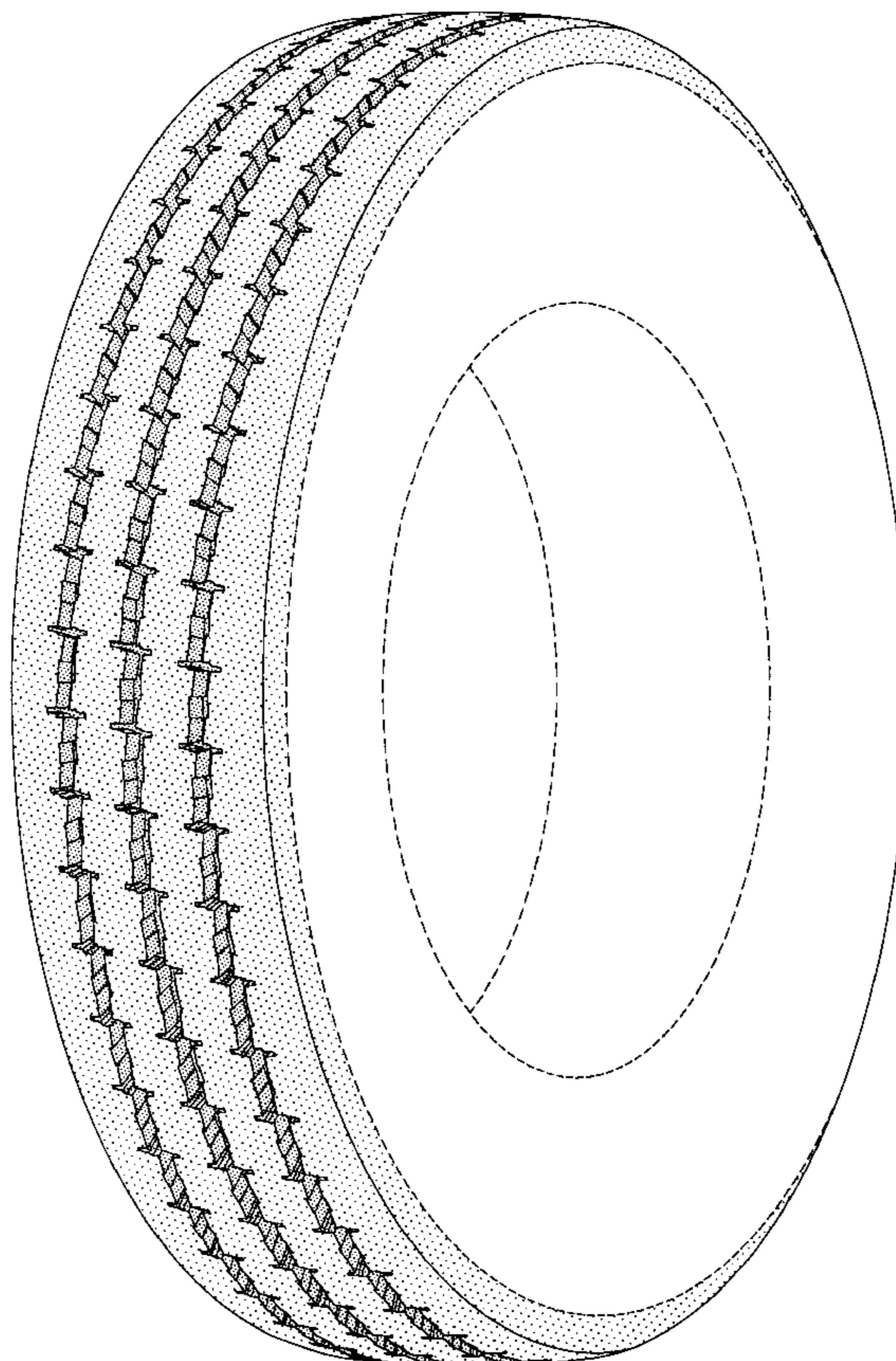
FIG. 2 is a front elevational view thereof;

FIG. 3 is a side elevational view thereof, the opposite side elevational view being identical thereto; and,

FIG. 4 is an enlarged fragmentary perspective view.

In the drawings, the broken lines defining the inner bead of the sidewall and the peripheral boundary between the tire tread and the sidewall are for illustrative purposes only and form no part of the claimed design.

1 Claim, 4 Drawing Sheets



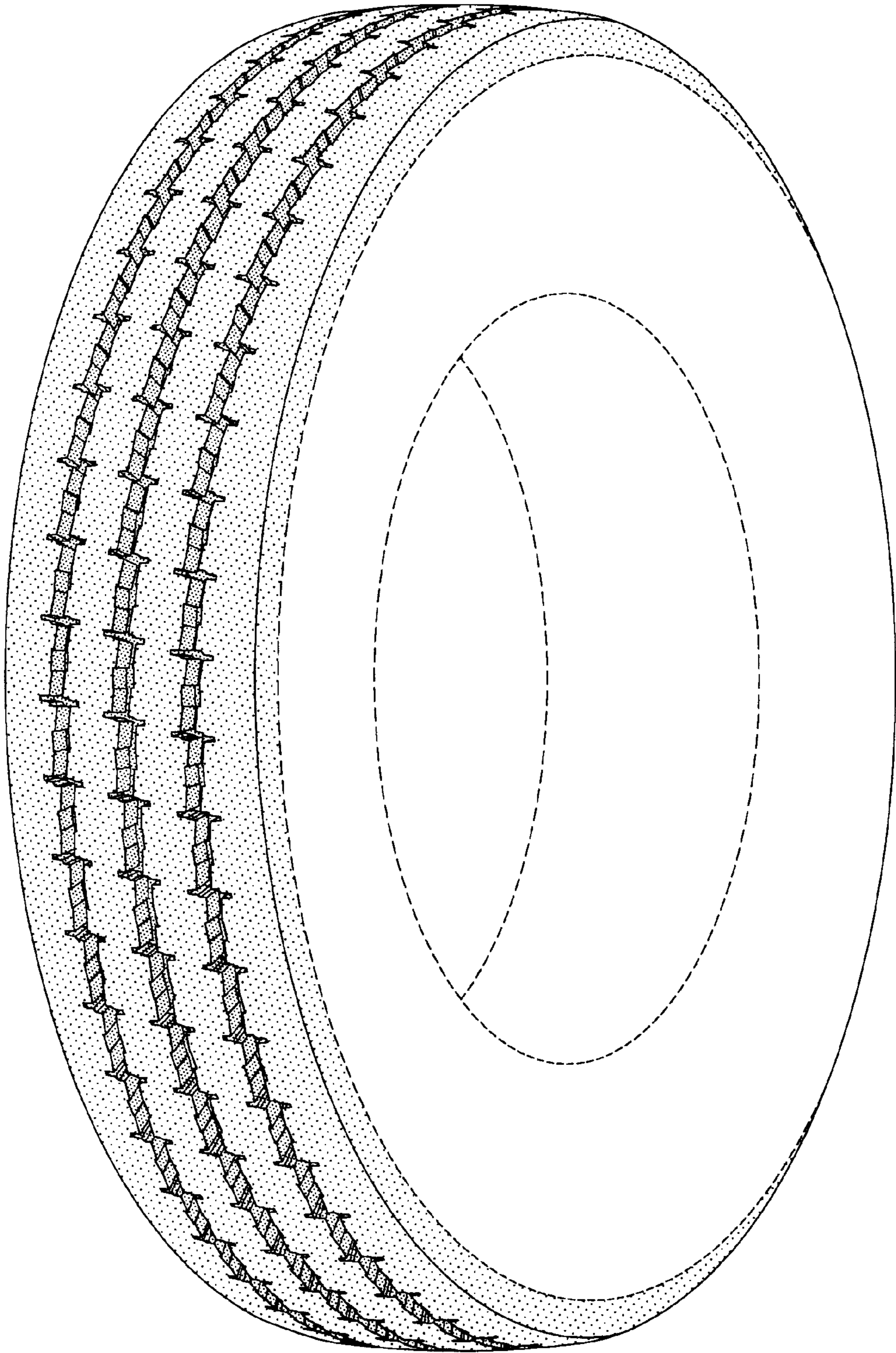


FIG-1

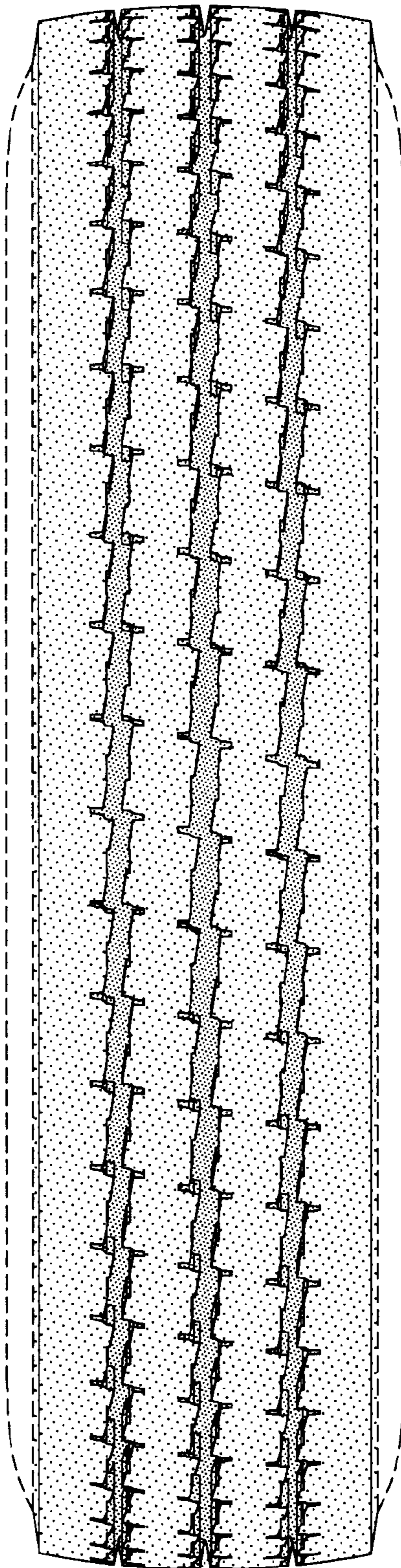


FIG-2

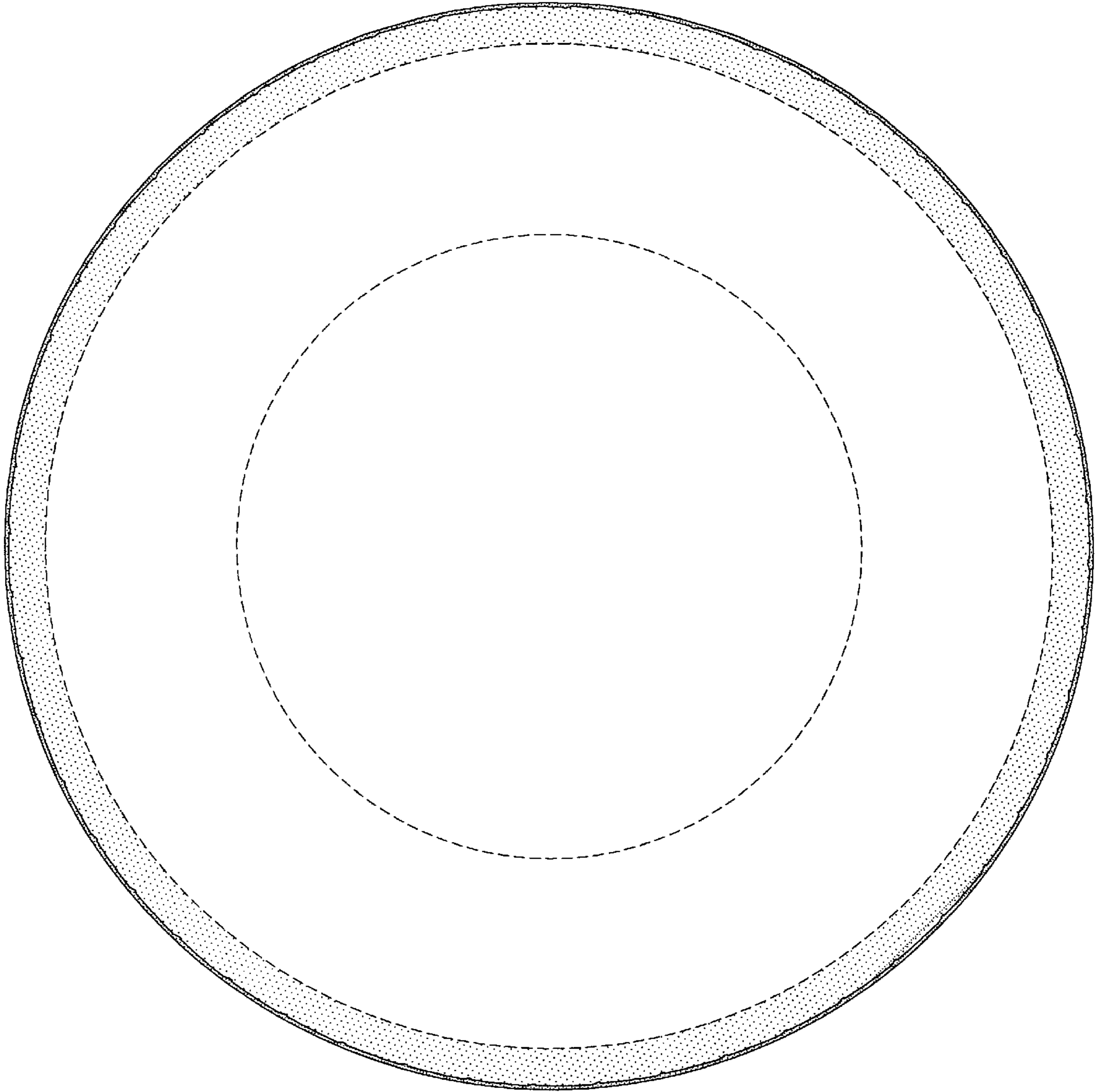


FIG-3

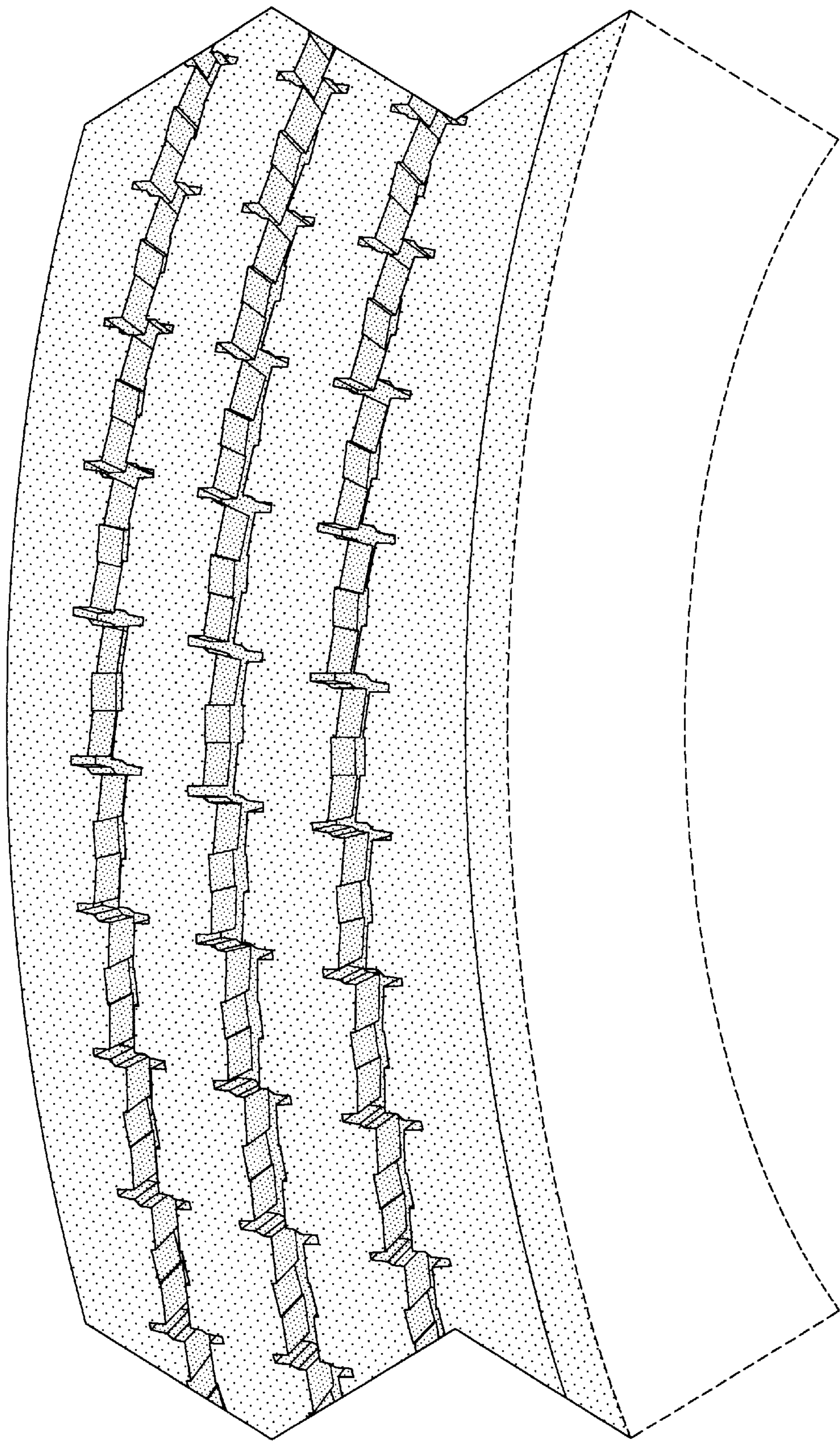


FIG-4