



US00D429185S

# United States Patent [19]

[11] **Patent Number: Des. 429,185**

**Flannery et al.**

[45] **Date of Patent: \*\* Aug. 8, 2000**

[54] **BABY STROLLER PROFILE FRAME**

- 5,388,853 2/1995 Lauro .
- 5,427,402 6/1995 Huang .
- 5,454,584 10/1995 Haut et al. .
- 5,622,376 4/1997 Shamie .
- 5,645,293 7/1997 Cheng .
- 5,725,238 3/1998 Huang .
- 5,979,928 11/1999 Kuo .

[75] Inventors: **Mark A. Flannery**, Shorewood;  
**Timothy L. Edwards**, Minneapolis,  
both of Minn.; **Danial E. Julian**,  
Berthoud, Colo.

[73] Assignee: **Regalo International, LLC**,  
Minneapolis, Minn.

*Primary Examiner*—Kay H. Chin

[\*\*] Term: **14 Years**

### [57] CLAIM

[21] Appl. No.: **29/108,789**

We claim the ornamental design for a baby stroller profile frame, as shown and described.

[22] Filed: **Aug. 1, 1999**

### DESCRIPTION

#### Related U.S. Application Data

[62] Division of application No. 29/094,005, Sep. 23, 1998.

[51] **LOC (7) Cl.** ..... **12-12**

[52] **U.S. Cl.** ..... **D12/129**

[58] **Field of Search** ..... D12/128, 129,  
D12/133; 280/642, 643, 644, 647, 650,  
657, 658; 297/354.12, 354.13

FIG. 1 is a perspective view of a baby stroller profile frame showing our new design;

FIG. 2 is a left side view of the baby stroller profile frame of FIG. 1, the right side view being a mirror image of that shown.

FIG. 3 is a front view of the baby stroller profile frame of FIG. 1.

FIG. 4 is a rear view of the baby stroller profile frame of FIG. 1.

FIG. 5 is a top view of the baby stroller profile frame of FIG. 1; and,

FIG. 6 is a bottom view of the baby stroller profile frame of FIG. 1.

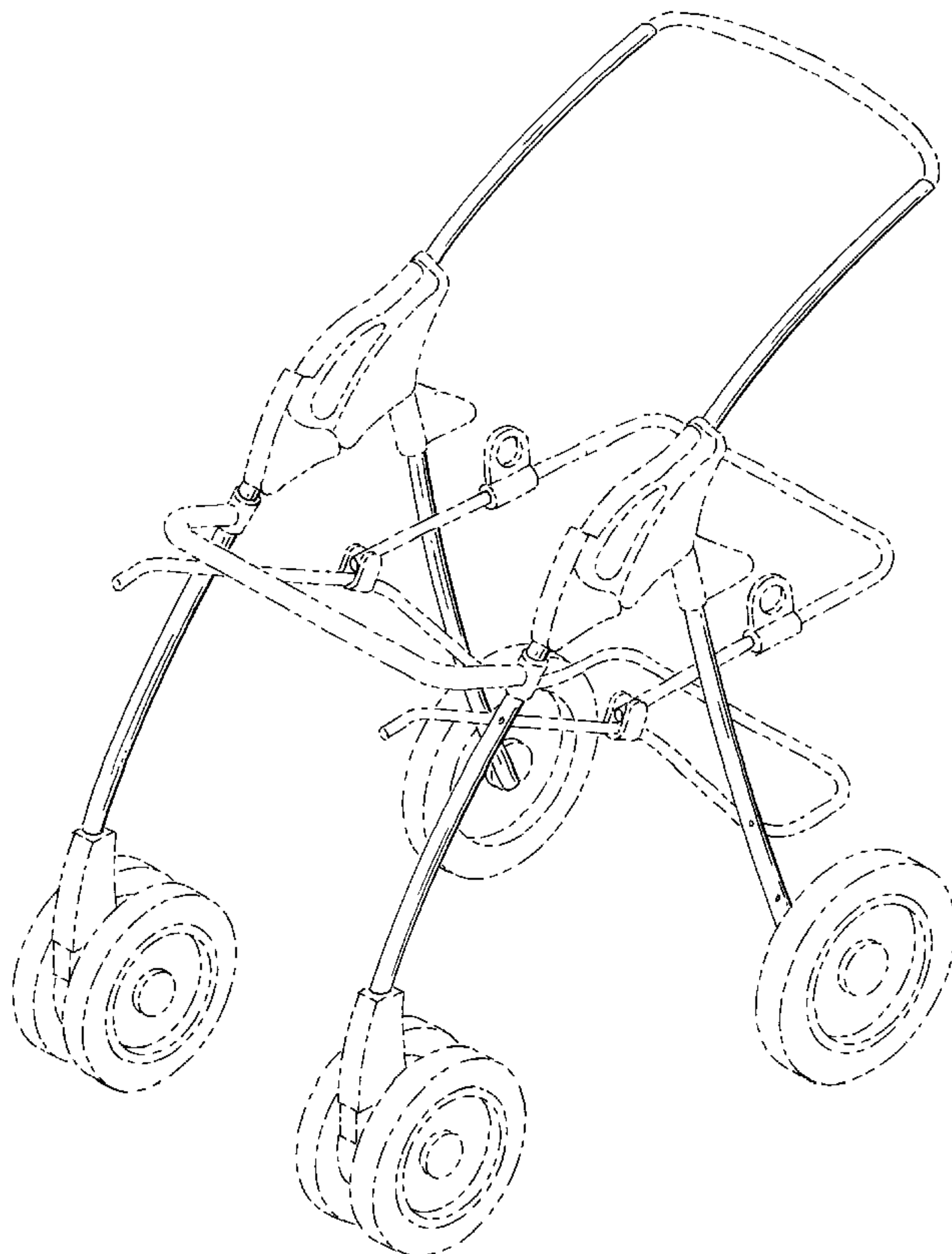
The broken lines shown in FIGS. 1 through 6 are for illustrative purposes only and form no part of the claim design.

#### [56] References Cited

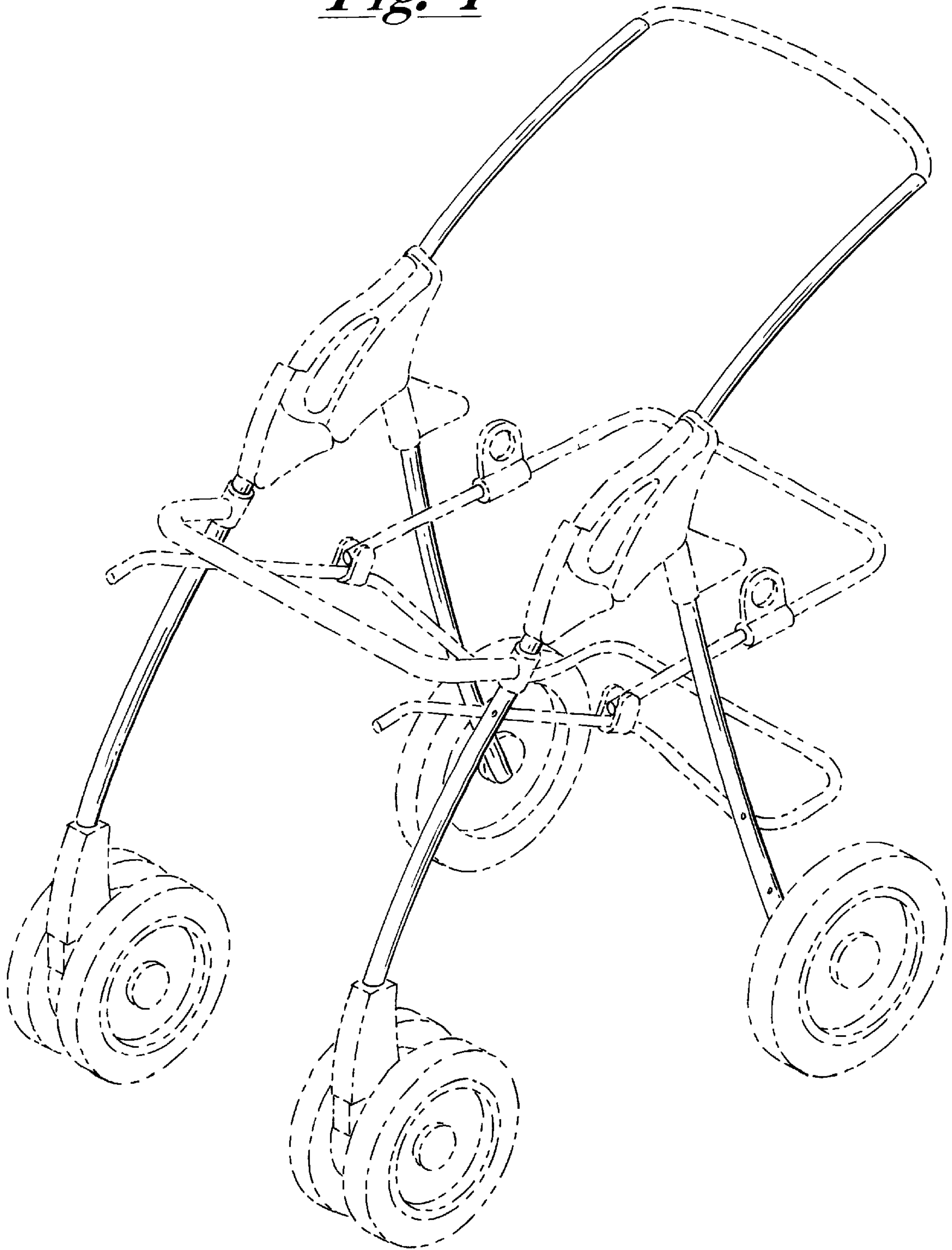
##### U.S. PATENT DOCUMENTS

- D. 356,528 3/1995 Liu .
- D. 365,784 1/1996 Wennerstrom et al. .... D12/129
- D. 382,516 8/1997 Hutchinson et al. .... D12/129
- D. 382,837 8/1997 Haut et al. .... D12/129
- D. 402,234 12/1998 Julien et al. .
- D. 419,493 1/2000 Flannery et al. .

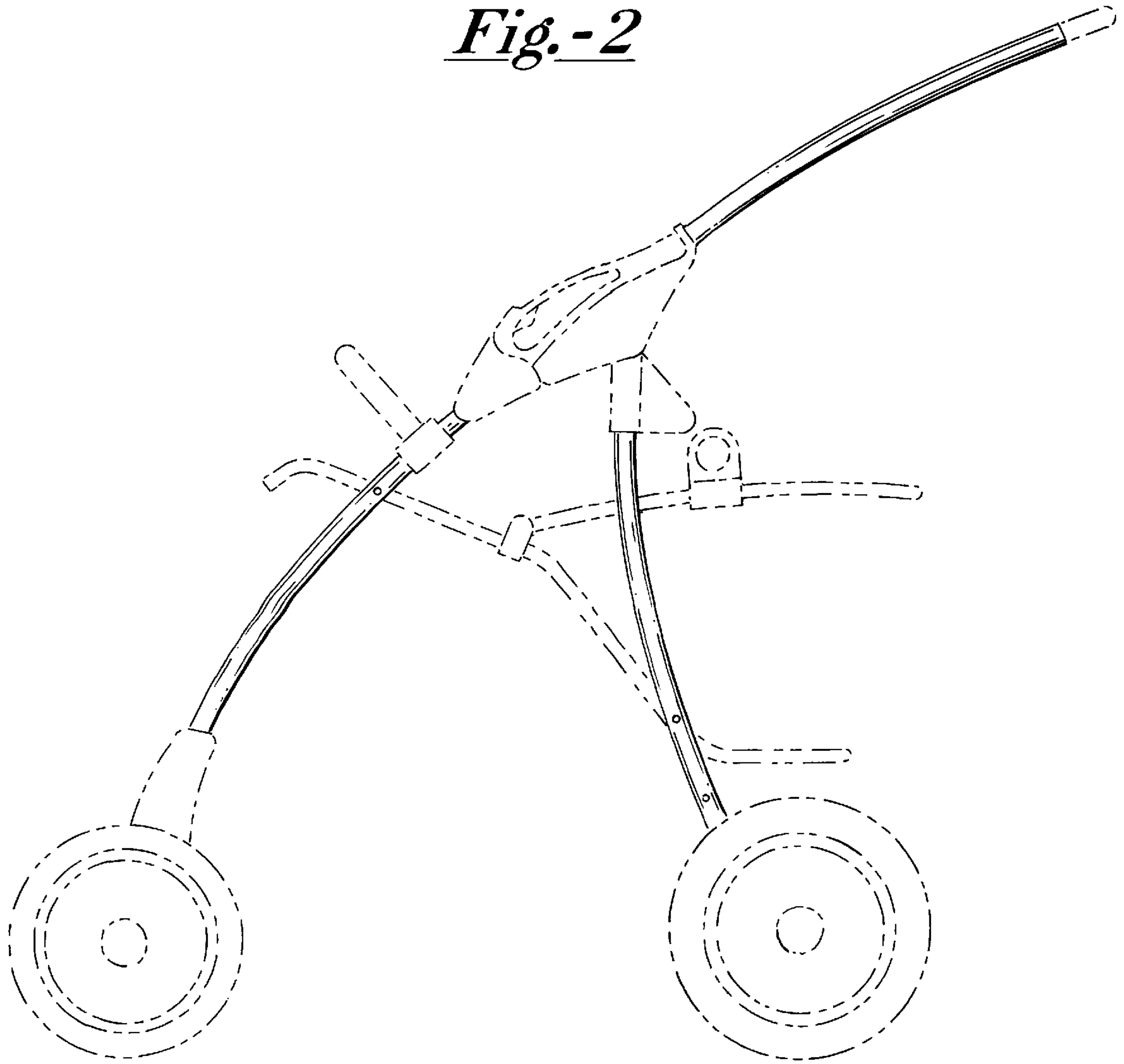
**1 Claim, 4 Drawing Sheets**



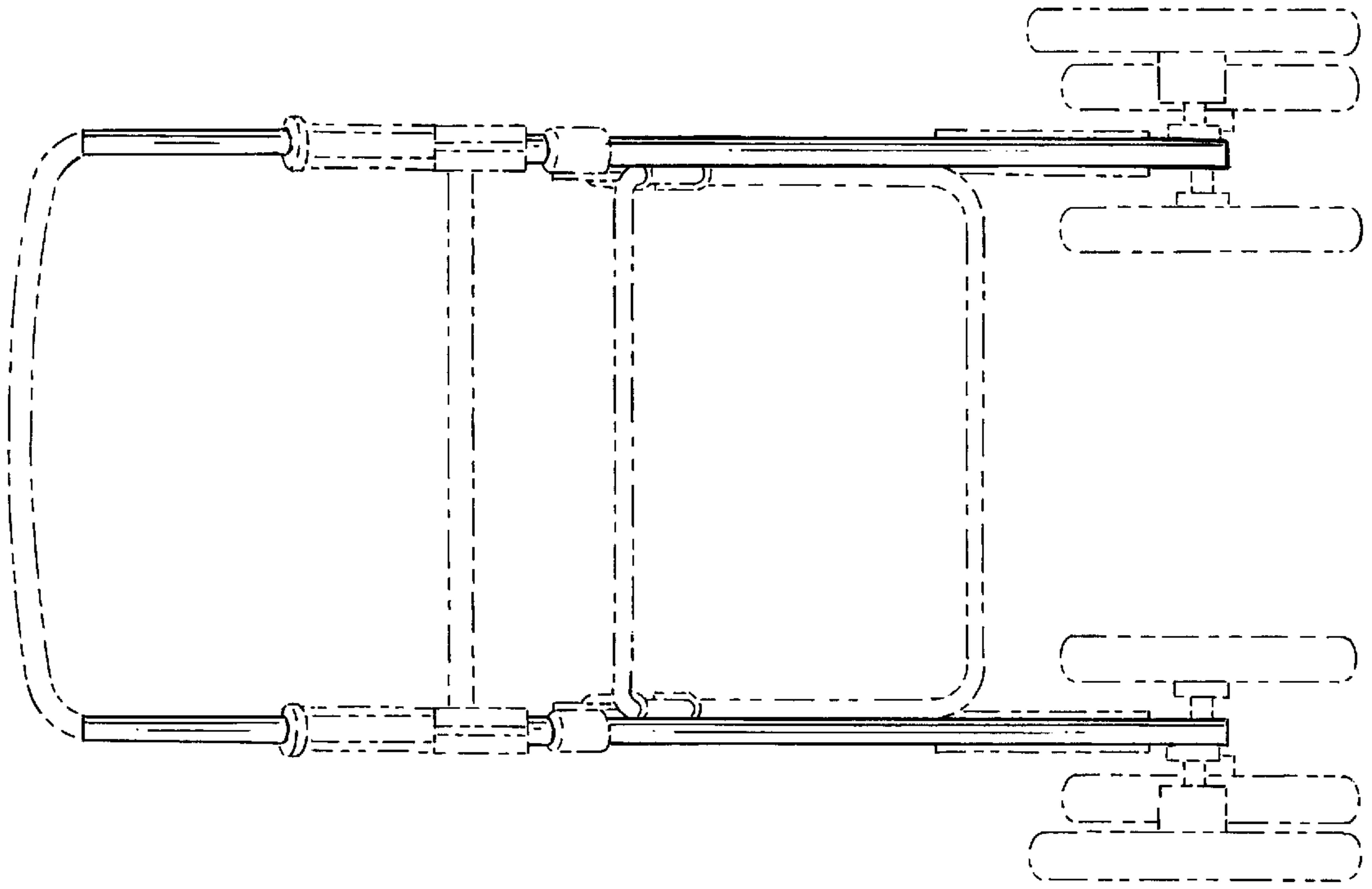
*Fig.-1*



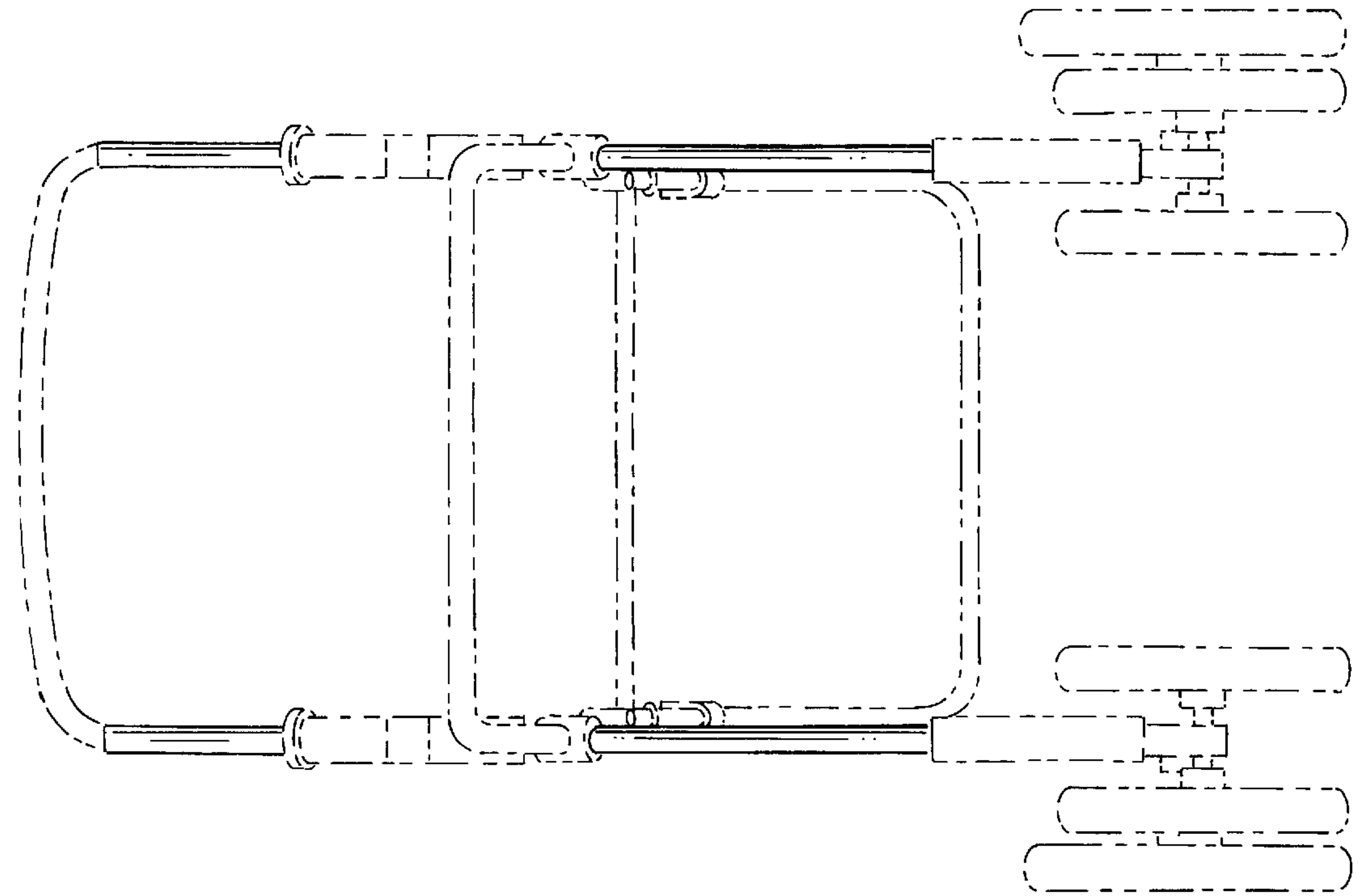
*Fig.-2*

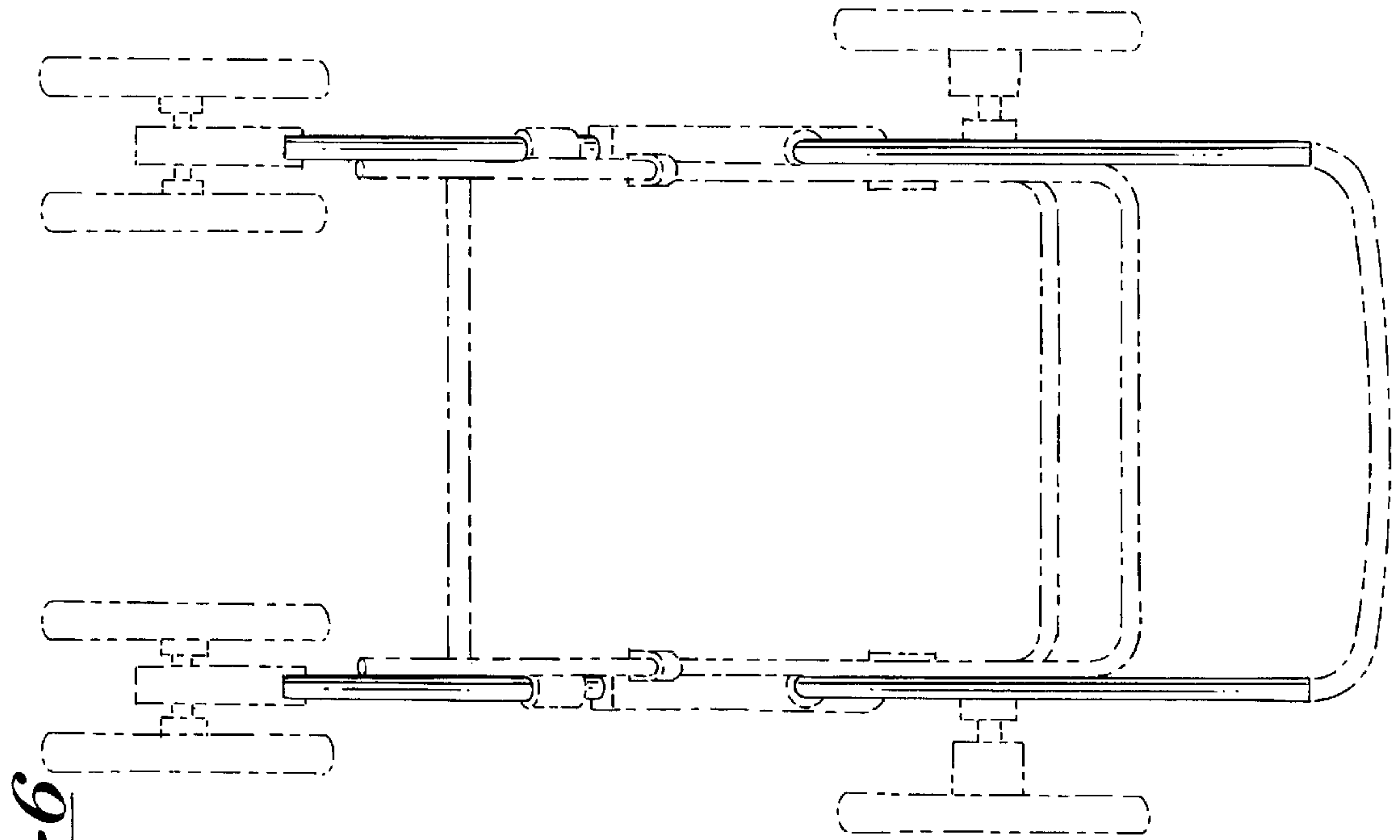


*Fig.-4*

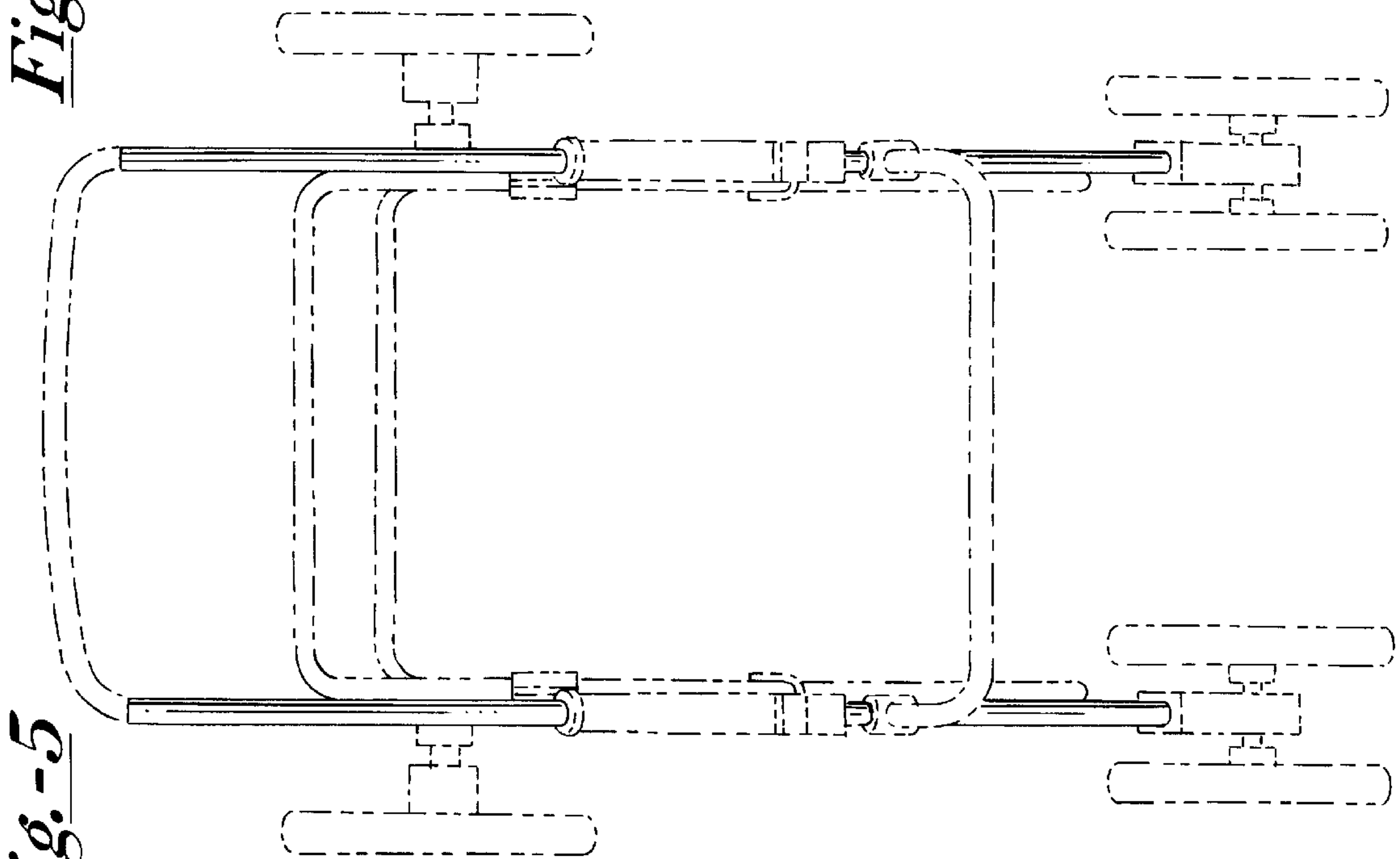


*Fig.-3*





*Fig.-6*



*Fig.-5*