



US00D429181S

United States Patent [19] Gasper

[11] Patent Number: Des. 429,181

[45] Date of Patent: ** Aug. 8, 2000

[54] VASE
[75] Inventor: **Ekkehart Gasper**, 10803 Colton St.,
Fairfax, Va. 22032
[73] Assignee: **Ekkehart Gasper**, Fairfax, Va.
[**] Term: **14 Years**

2,492,039 12/1949 Gilowitz .
2,782,296 9/1957 Walter .
3,050,619 8/1962 Abramson .
4,418,496 12/1983 Koistinen .
4,418,497 12/1983 Mastriano .
4,880,133 11/1989 Cullinane 220/737
5,195,270 3/1993 Domurat .
5,848,493 12/1998 Gasper 47/41.15

[21] Appl. No.: **29/101,216**
[22] Filed: **Feb. 26, 1999**

FOREIGN PATENT DOCUMENTS

2670077 12/1990 France .
8-140805 6/1996 Japan .
WO 96/03028 2/1996 WIPO .

Related U.S. Application Data

[62] Division of application No. 29/073,619, Jul. 11, 1997, Pat. No. Des. 413,546, which is a continuation of application No. 08/679,819, Jul. 15, 1996, Pat. No. 5,848,493.

Primary Examiner—Caron D. Veynar
Attorney, Agent, or Firm—Oliff & Berridge, PLC

[51] **LOC (7) Cl.** **11-02**
[52] **U.S. Cl.** **D11/146**
[58] **Field of Search** D11/143, 146,
D11/152, 153, 154; 47/65.5, 41.01, 41.12,
41.14, 41.15; 206/423; 248/27.8

[57] CLAIM

The ornamental design for a vase, as shown and described.

[56] References Cited

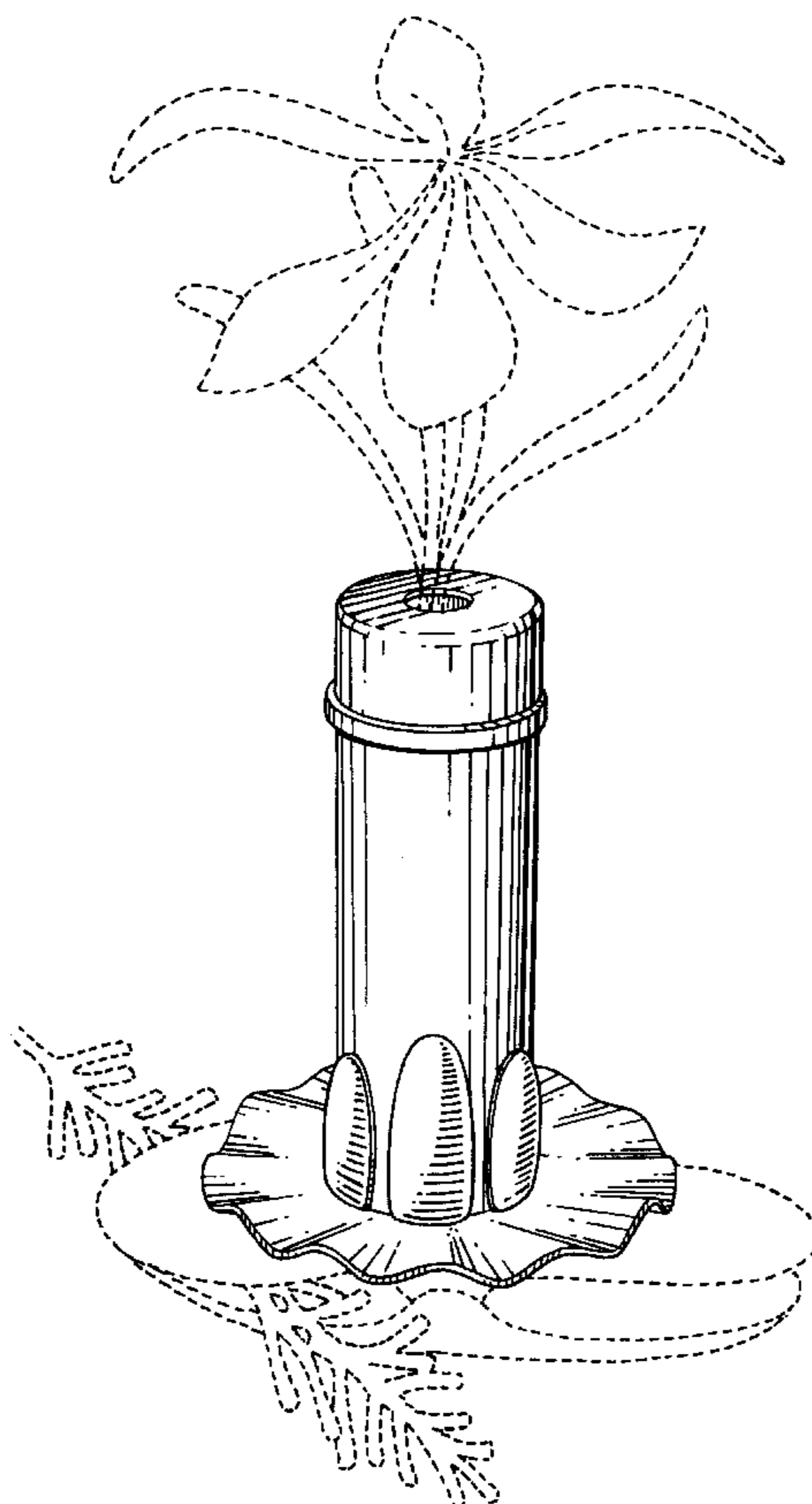
DESCRIPTION

U.S. PATENT DOCUMENTS

D. 200,720 3/1965 Hennig D11/144
D. 296,665 7/1988 Hofer D9/504
D. 336,447 6/1993 Horvath D11/146
D. 346,763 5/1994 Smith D11/144
D. 356,054 3/1995 Roe et al. D11/145
1,379,340 5/1921 Hegamin .

FIG. 1 is a perspective view of the vase, the broken lines illustrating a flower, clip and tree branch are for illustrative purposes only and form no part of the claimed design;
FIG. 2 is a front view of the vase of FIG. 1;
FIG. 3 is a rear side view of the vase of FIG. 1;
FIG. 4 is a left side view of the vase of FIG. 1;
FIG. 5 is a right side view of the vase of FIG. 1;
FIG. 6 is a top view of the vase of FIG. 1; and,
FIG. 7 is a bottom view of the vase of FIG. 1.

1 Claim, 6 Drawing Sheets



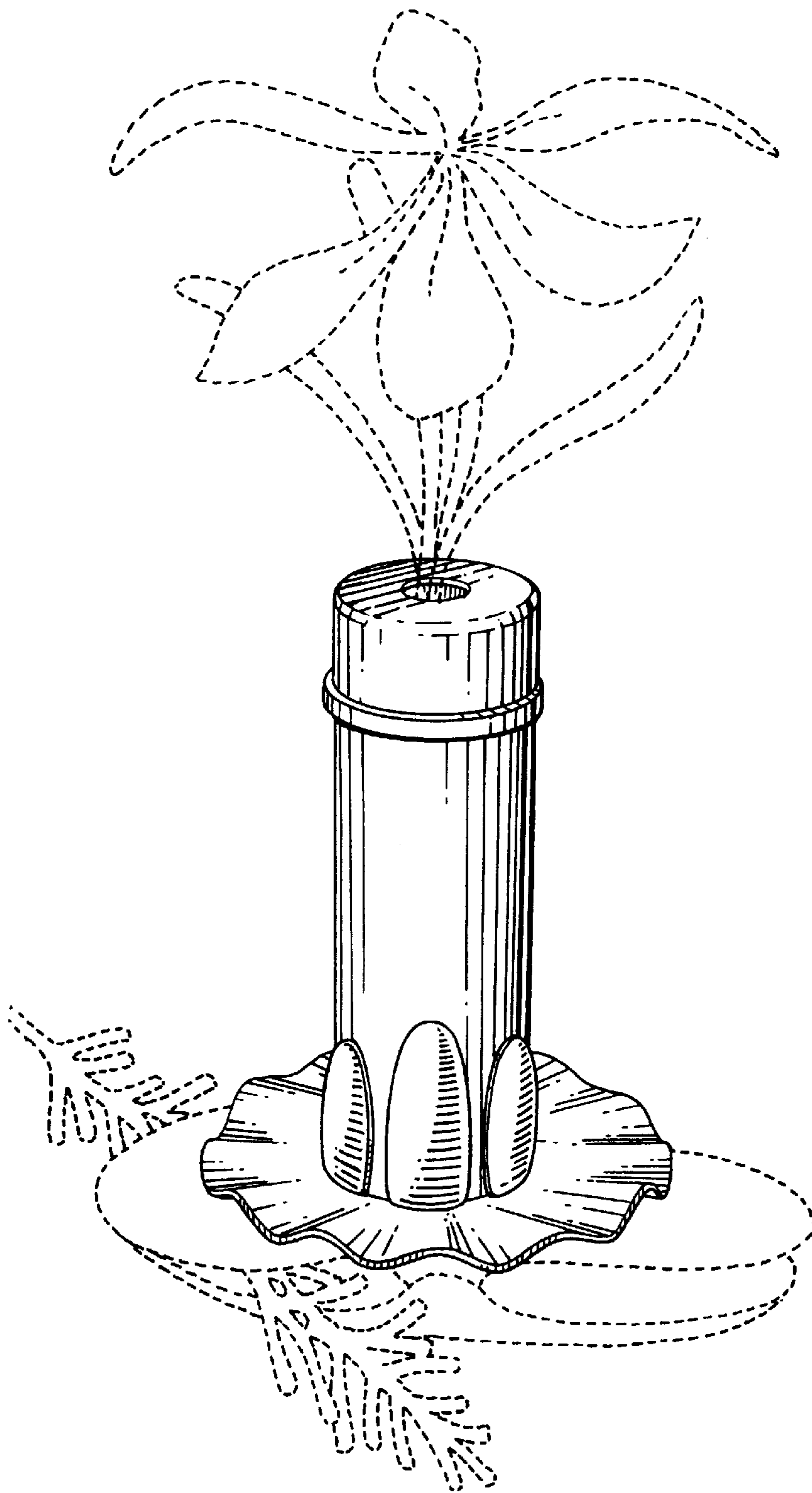


FIG. 1

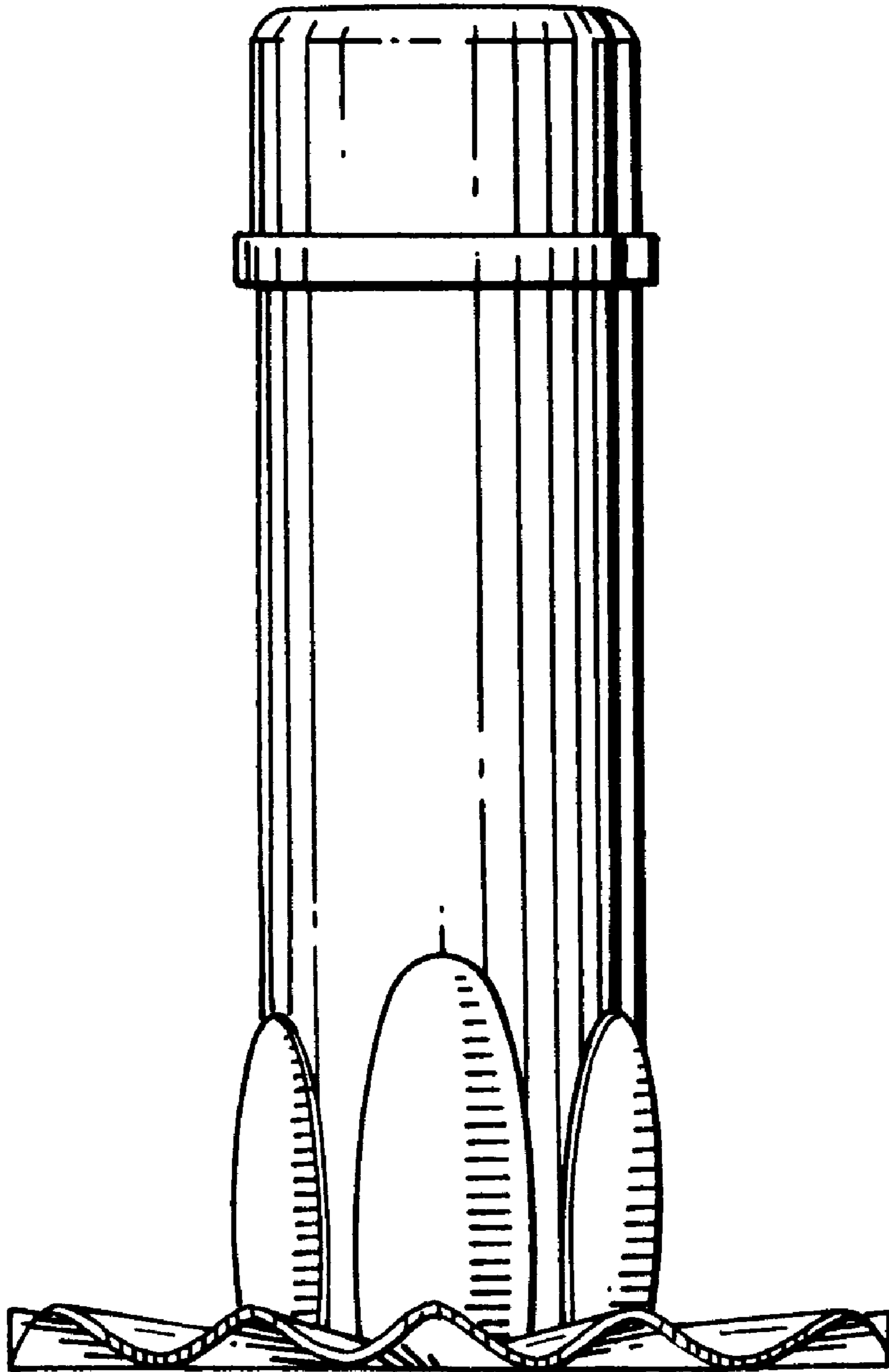


FIG. 2

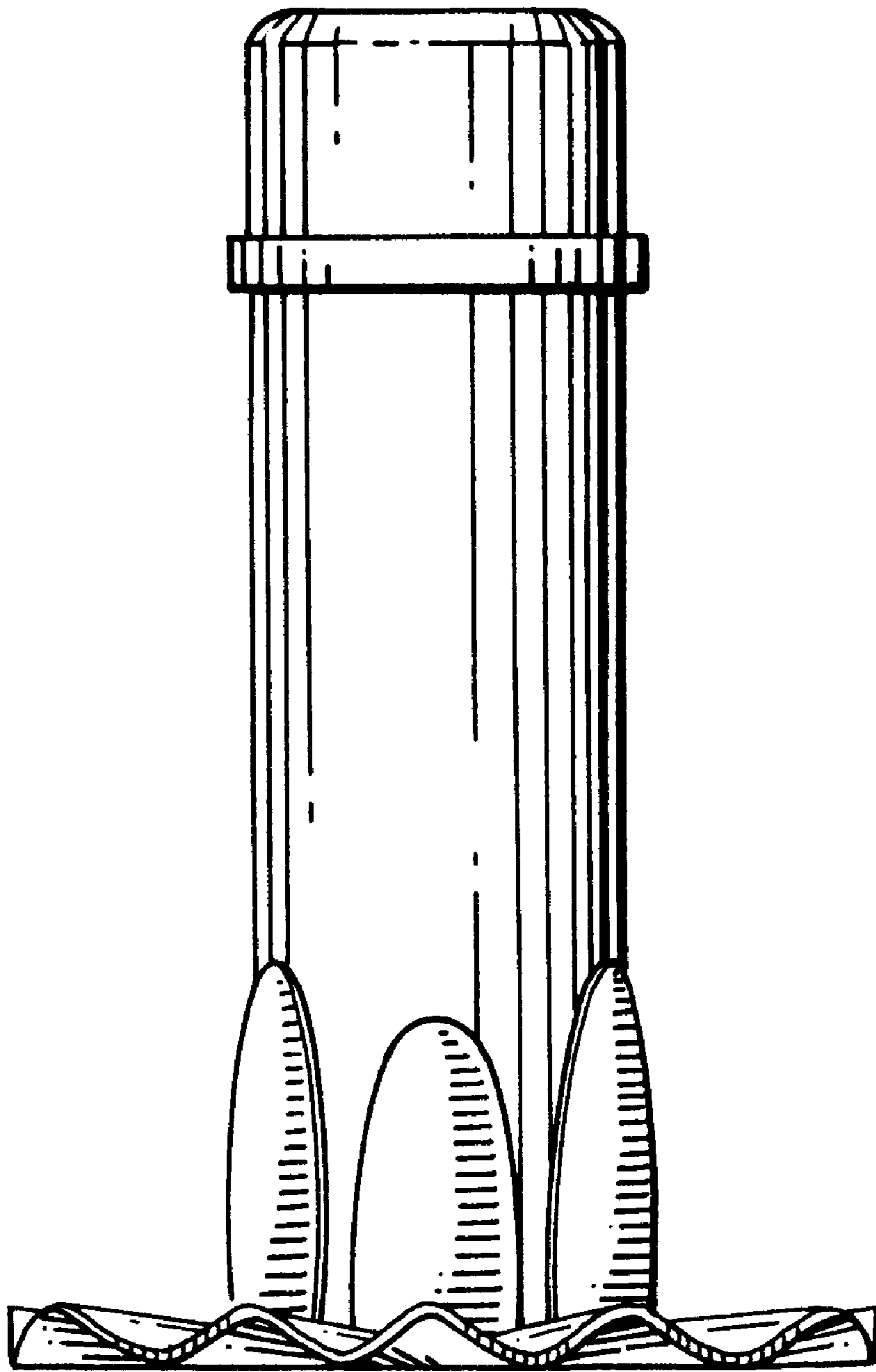


FIG. 3

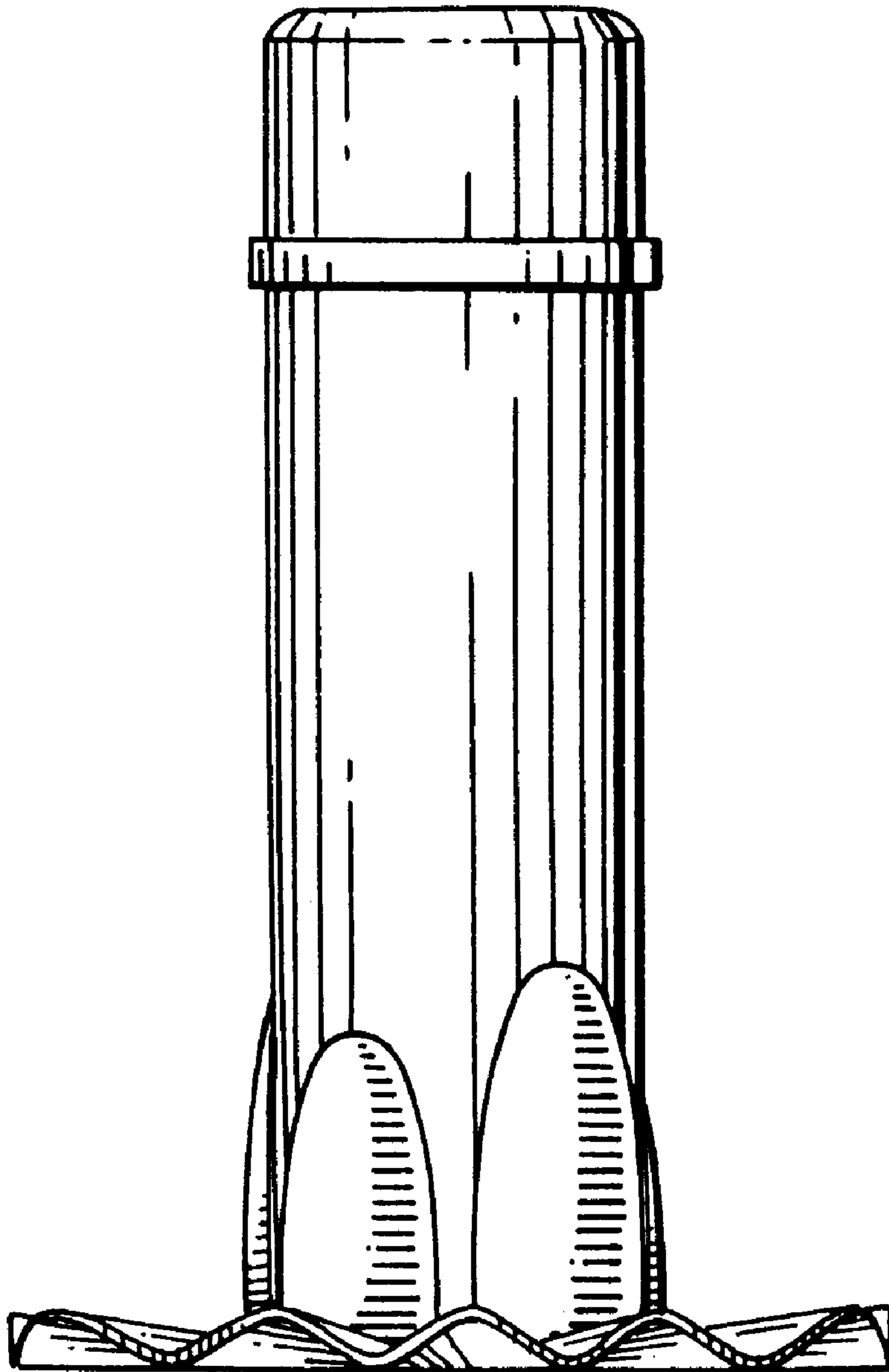


FIG. 4

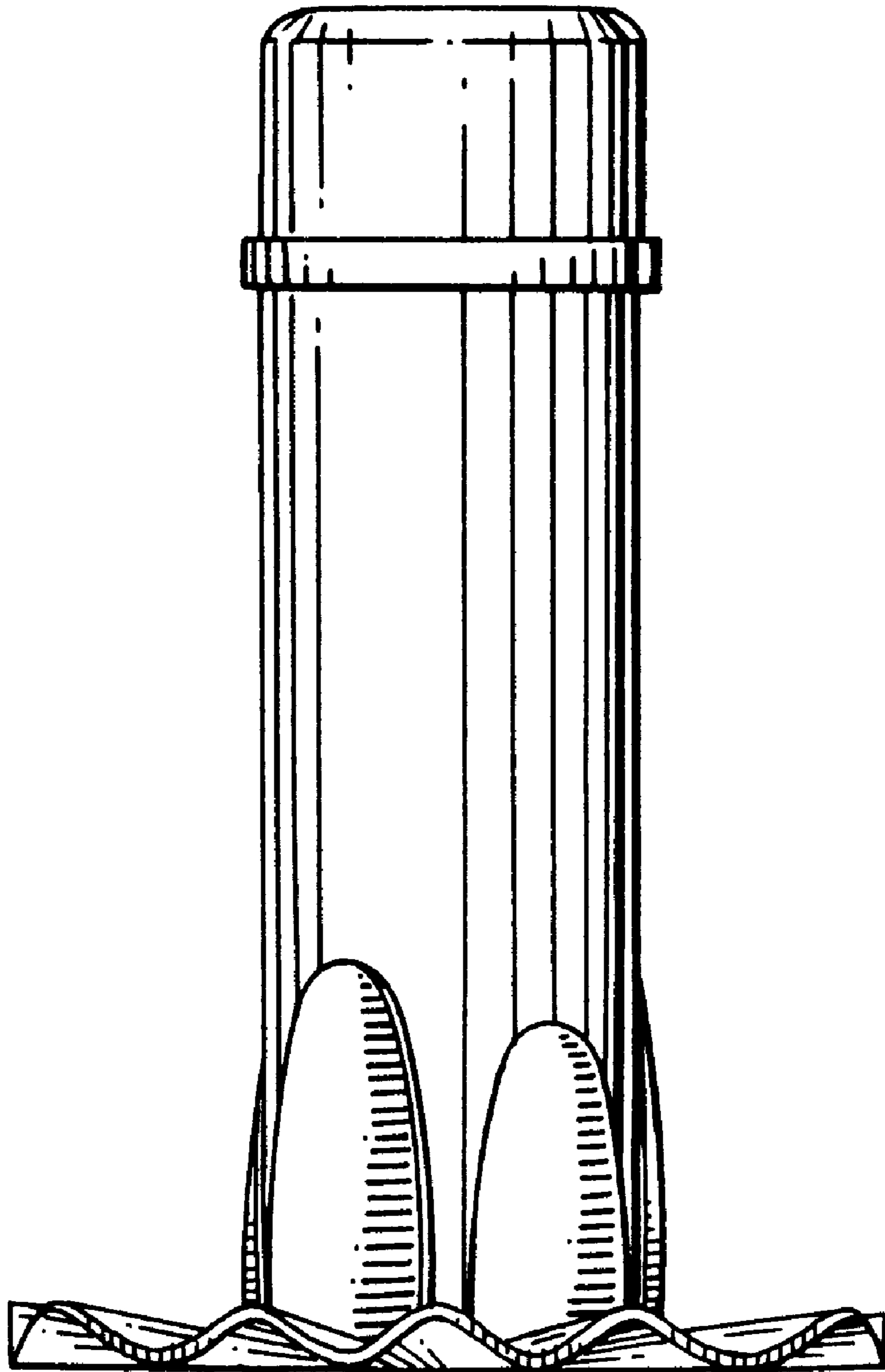


FIG. 5

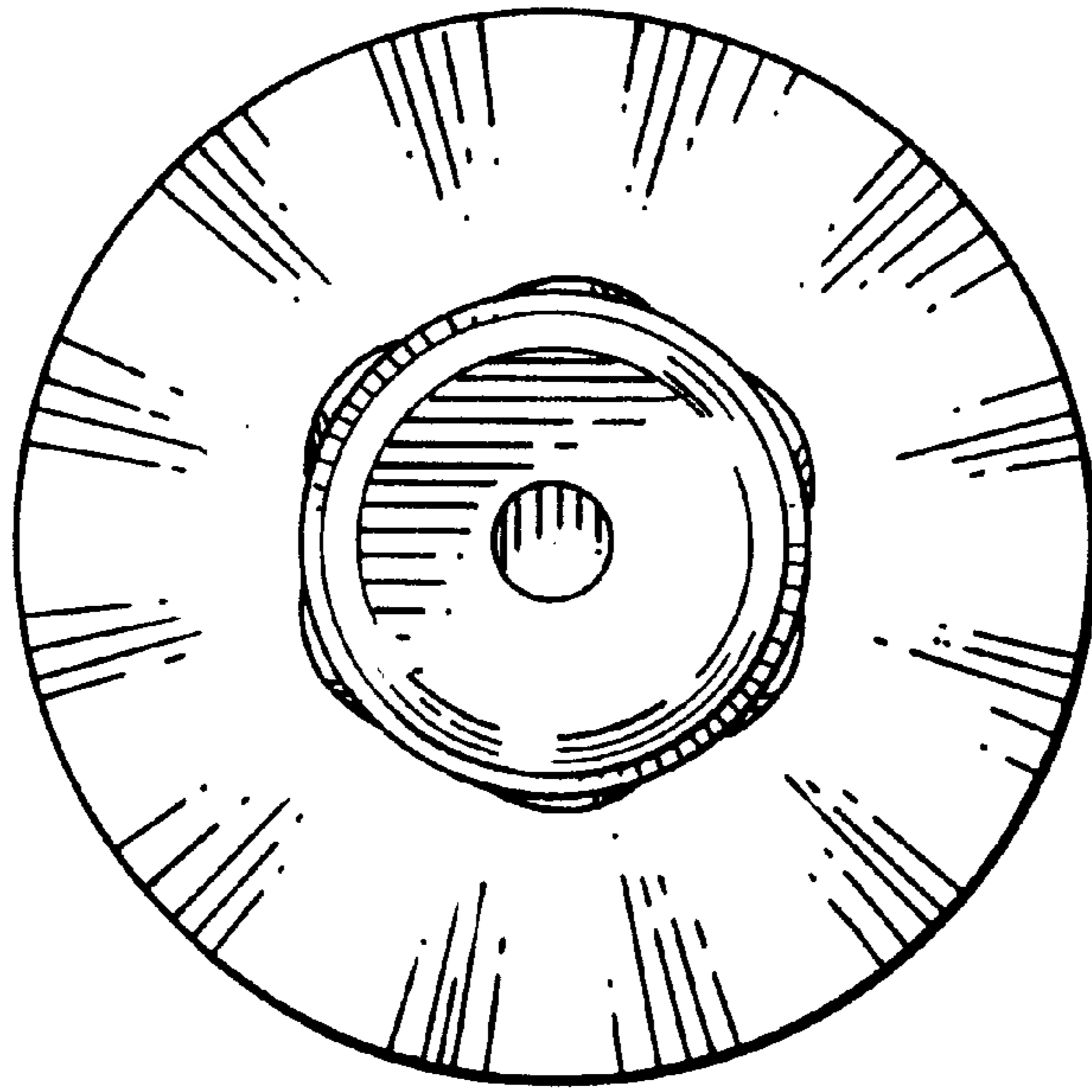


FIG. 6

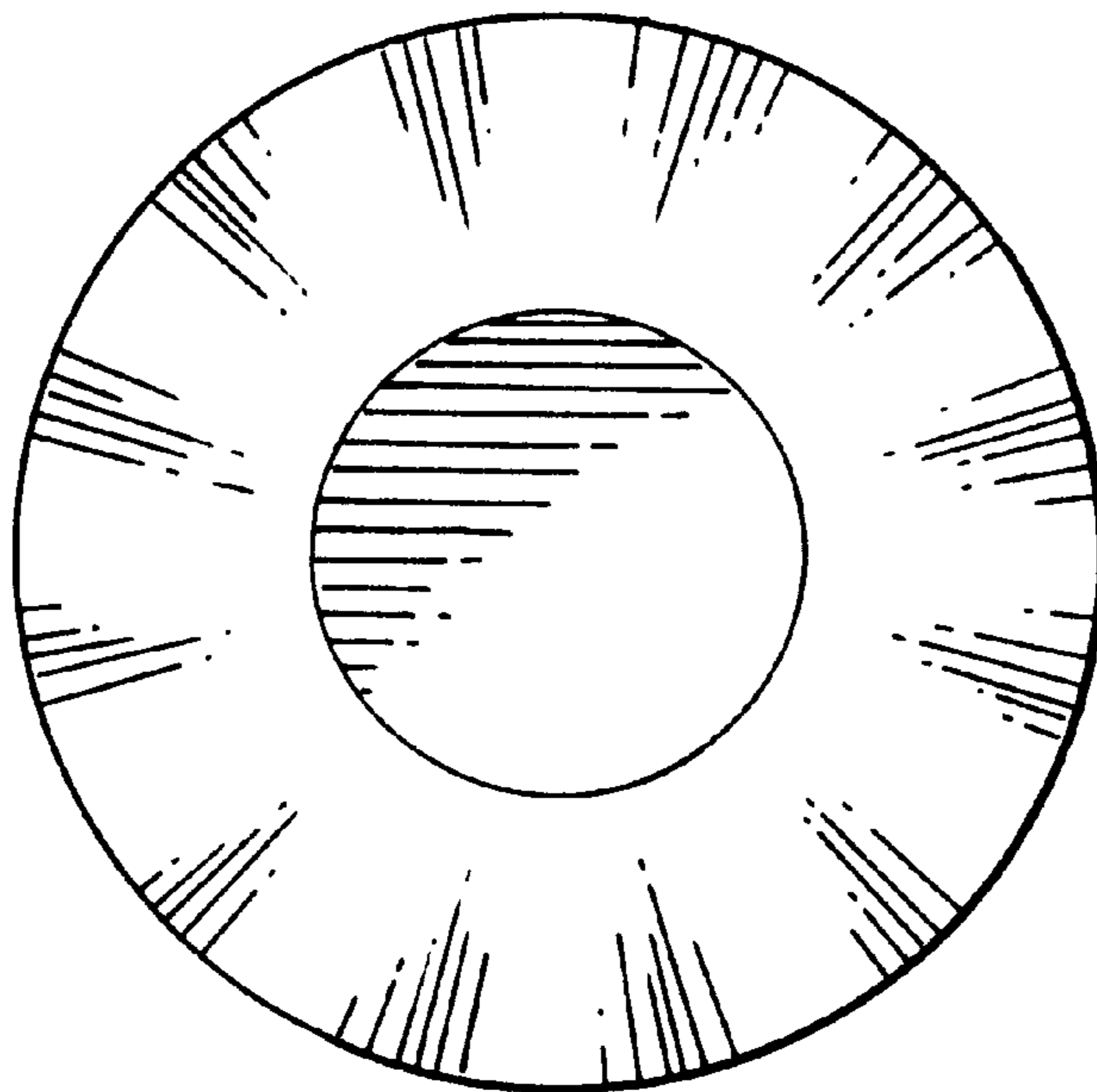


FIG. 7