



US00D429177S

United States Patent [19] Jennings

[11] Patent Number: Des. 429,177

[45] Date of Patent: ** Aug. 8, 2000

[54] INDICATING UNIT

[76] Inventor: **Terence Albert Jennings**, 16 Heathcote Ave., Clayhall, Ilford, Essex IG5 0QS, United Kingdom

[**] Term: **14 Years**

[21] Appl. No.: **29/109,765**

[22] Filed: **Aug. 20, 1999**

[30] Foreign Application Priority Data

Feb. 26, 1999 [GB] United Kingdom 2081558

[51] LOC (7) Cl. **10-05**

[52] U.S. Cl. **D10/114**

[58] Field of Search D10/104, 109, D10/111, 114, 121; 116/63 P, 63 T, 63 C; 362/191, 196, 197, 198, 199, 200, 201, 202

[56] References Cited

U.S. PATENT DOCUMENTS

- D. 314,161 1/1991 Kondo D10/114
- D. 323,303 1/1992 Johnansonn et al. D10/114
- D. 332,067 12/1992 Fu D10/114

- D. 340,001 10/1993 Watkins D10/114
- D. 376,332 12/1996 Fercano D10/114
- D. 389,079 1/1998 Smith, III D10/114
- D. 391,881 3/1998 Youseph D10/114

FOREIGN PATENT DOCUMENTS

- 0 688 696 A2 6/1995 European Pat. Off. .
- WO 93/25409 12/1993 WIPO .

Primary Examiner—Marcus A. Jackson
Attorney, Agent, or Firm—James R. Cypher; Charles R. Cypher

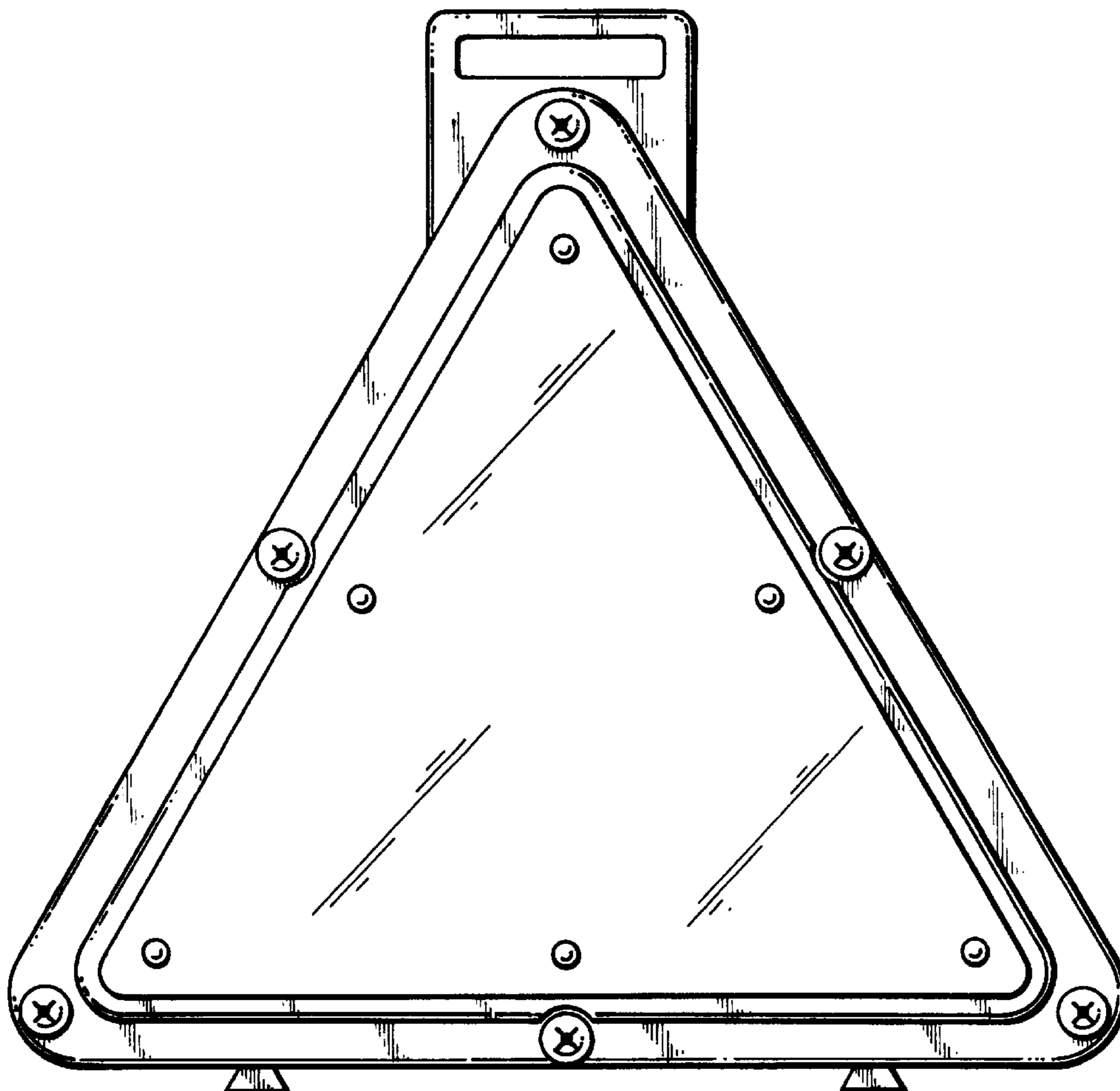
[57] CLAIM

The ornamental design for an indicating unit, as shown and described.

DESCRIPTION

FIG. 1 is a front elevation view of the indicating unit showing my new design;
FIG. 2 is a back elevation view thereof;
FIG. 3 is a side elevation view thereof, with the opposite side being a mirror image thereof;
FIG. 4 is a top plan view thereof; and,
FIG. 5 is a bottom plan view thereof.

1 Claim, 4 Drawing Sheets



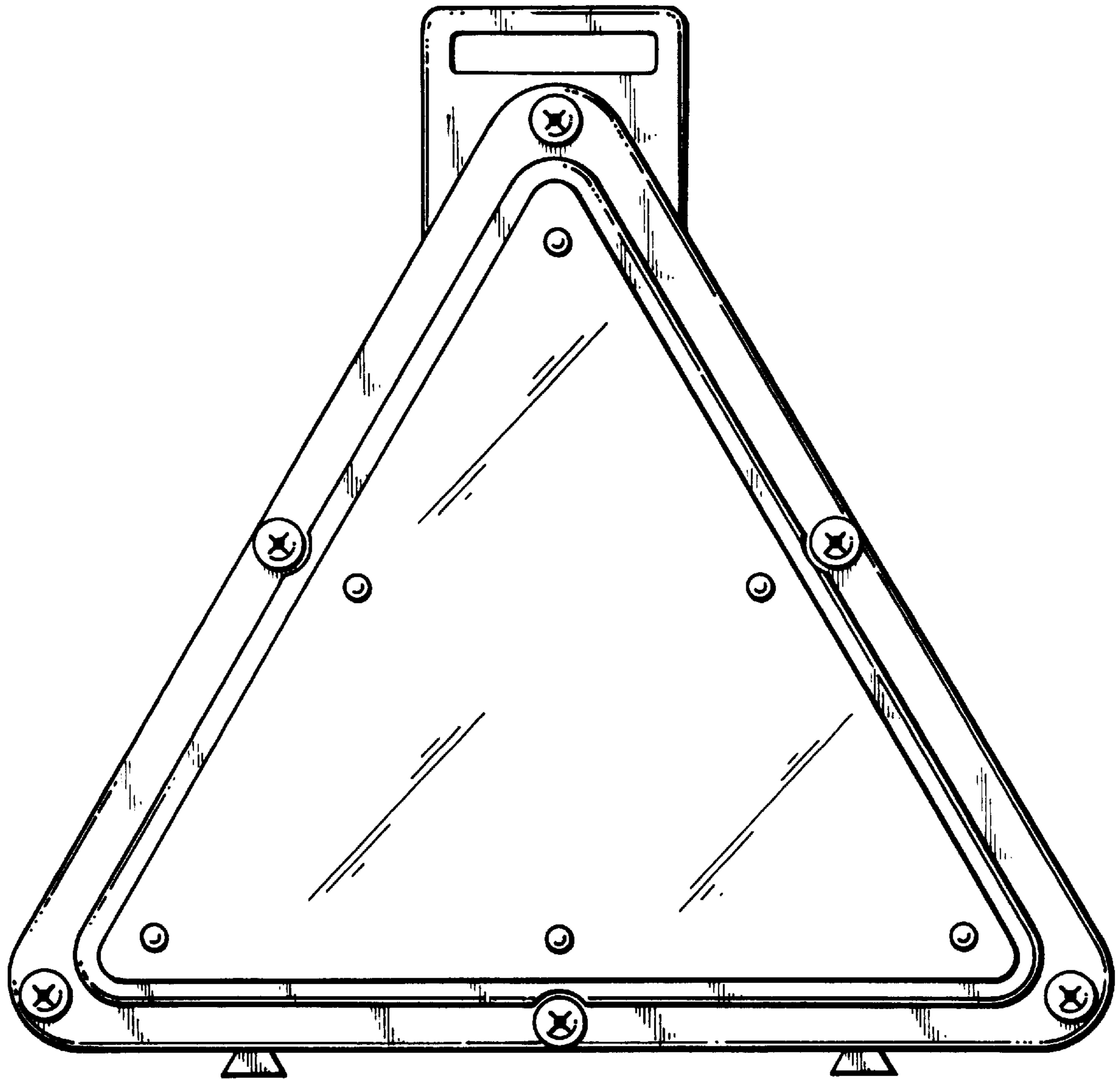


FIG. 1.

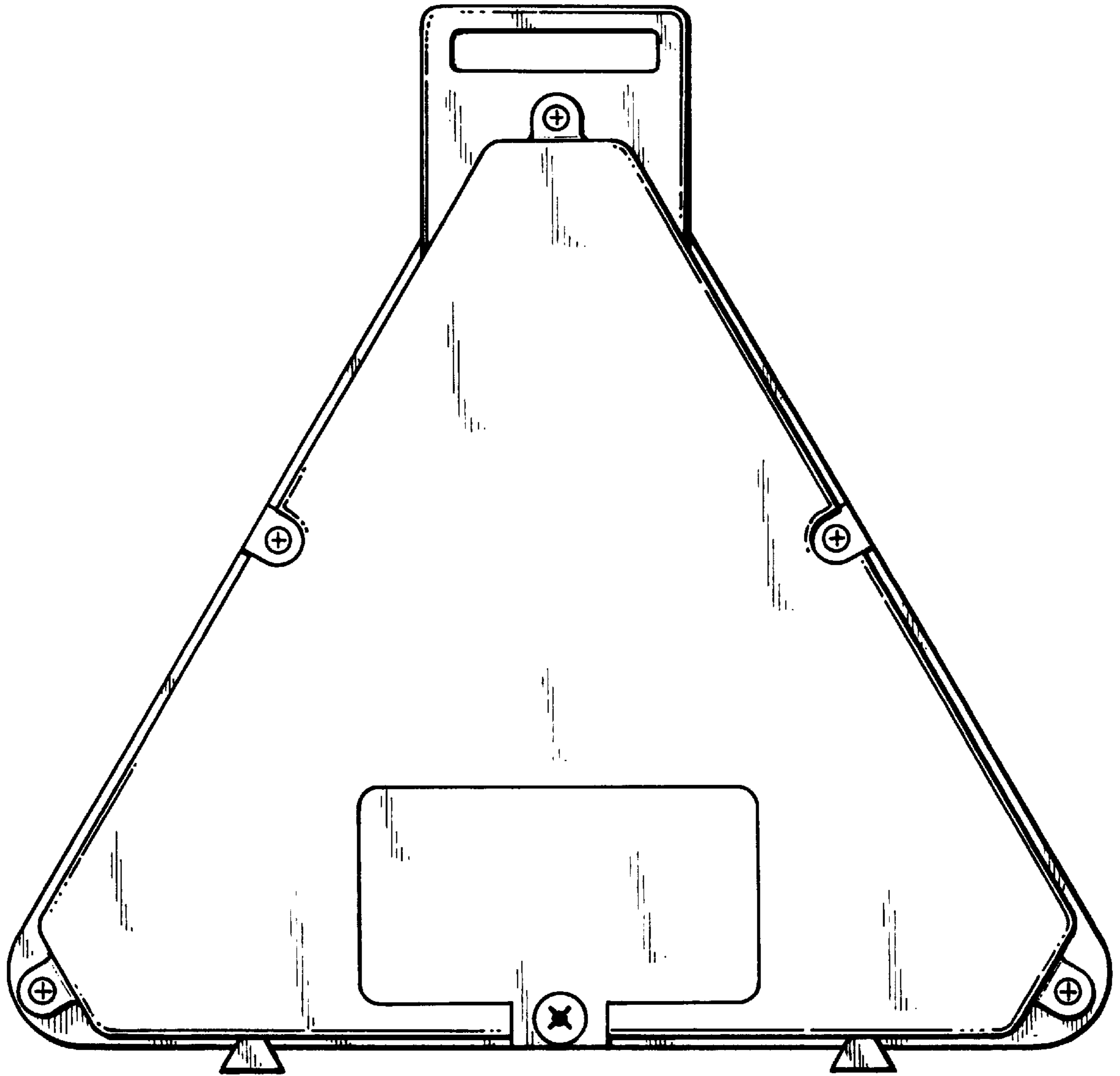


FIG. 2.

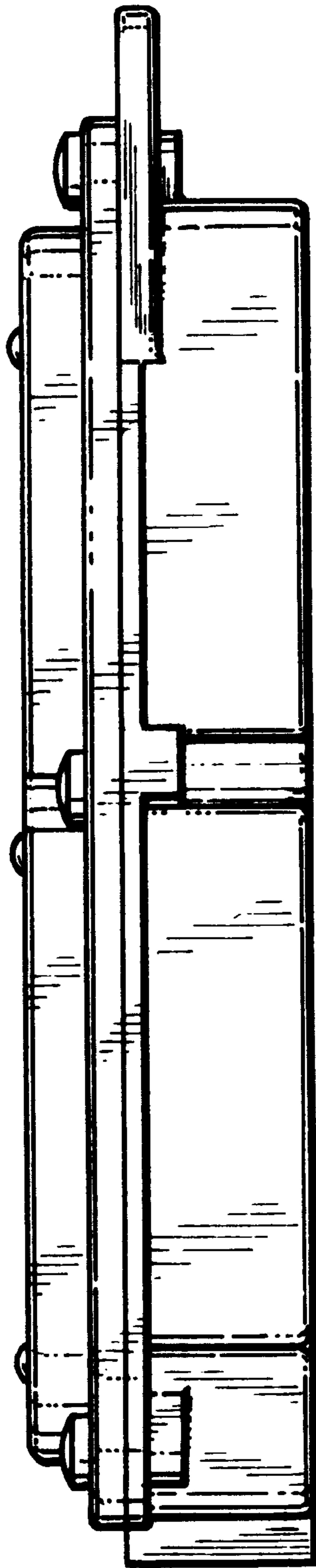


FIG. 3.

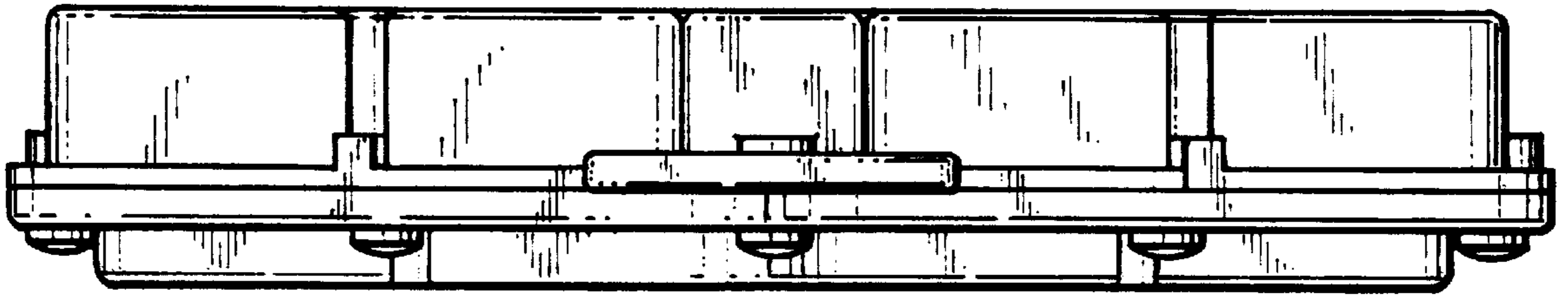


FIG. 4.

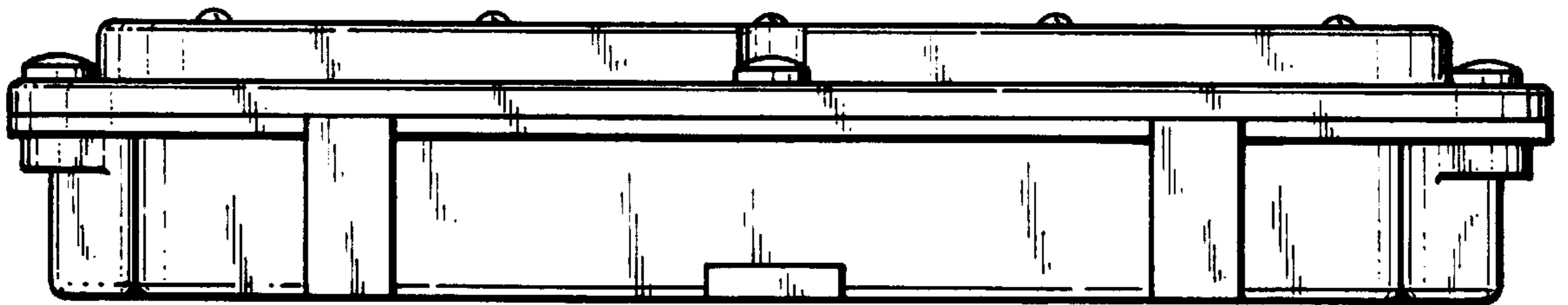


FIG. 5.