



US00D429171S

United States Patent [19]

Bernal Vazquez et al.

[11] Patent Number: Des. 429,171

[45] Date of Patent: ** Aug. 8, 2000

[54] LEVEL

[75] Inventors: **Rafael Antonio Bernal Vazquez;**
Toshiaki Yanao, both of Lerma,
Mexico

[73] Assignee: **Mitutoyo Corporation**, Kawasaki,
Japan

[**] Term: **14 Years**

[21] Appl. No.: **29/110,629**

[22] Filed: **Sep. 10, 1999**

[51] LOC (7) Cl. **10-04**

[52] U.S. Cl. **D10/69**

[58] Field of Search D10/69; 33/360-390

[56] **References Cited**

U.S. PATENT DOCUMENTS

- D. 318,243 7/1991 Piskula D10/69
- 703,306 3/1902 Roe D10/69

Primary Examiner—Antoine Duval Davis
Attorney, Agent, or Firm—Oliff & Berridge, PLC

[57] **CLAIM**

The ornamental design for level, as shown and described.

DESCRIPTION

FIG. 1 is a perspective view of a level according to our design;
 FIG. 2 is a front elevational view thereof;
 FIG. 3 is a rear elevational view thereof;
 FIG. 4 is a top plan view thereof;
 FIG. 5 is a bottom view thereof;
 FIG. 6 is a left elevational view thereof;
 FIG. 7 is a right elevational view thereof;
 FIG. 8 is an end view along A—A of FIG. 4;
 FIG. 9 is an end view along B—B of FIG. 4; and,
 FIG. 10 is a top plan view showing a transparent portion of the level with ovals surrounding the transparent portions.

1 Claim, 6 Drawing Sheets

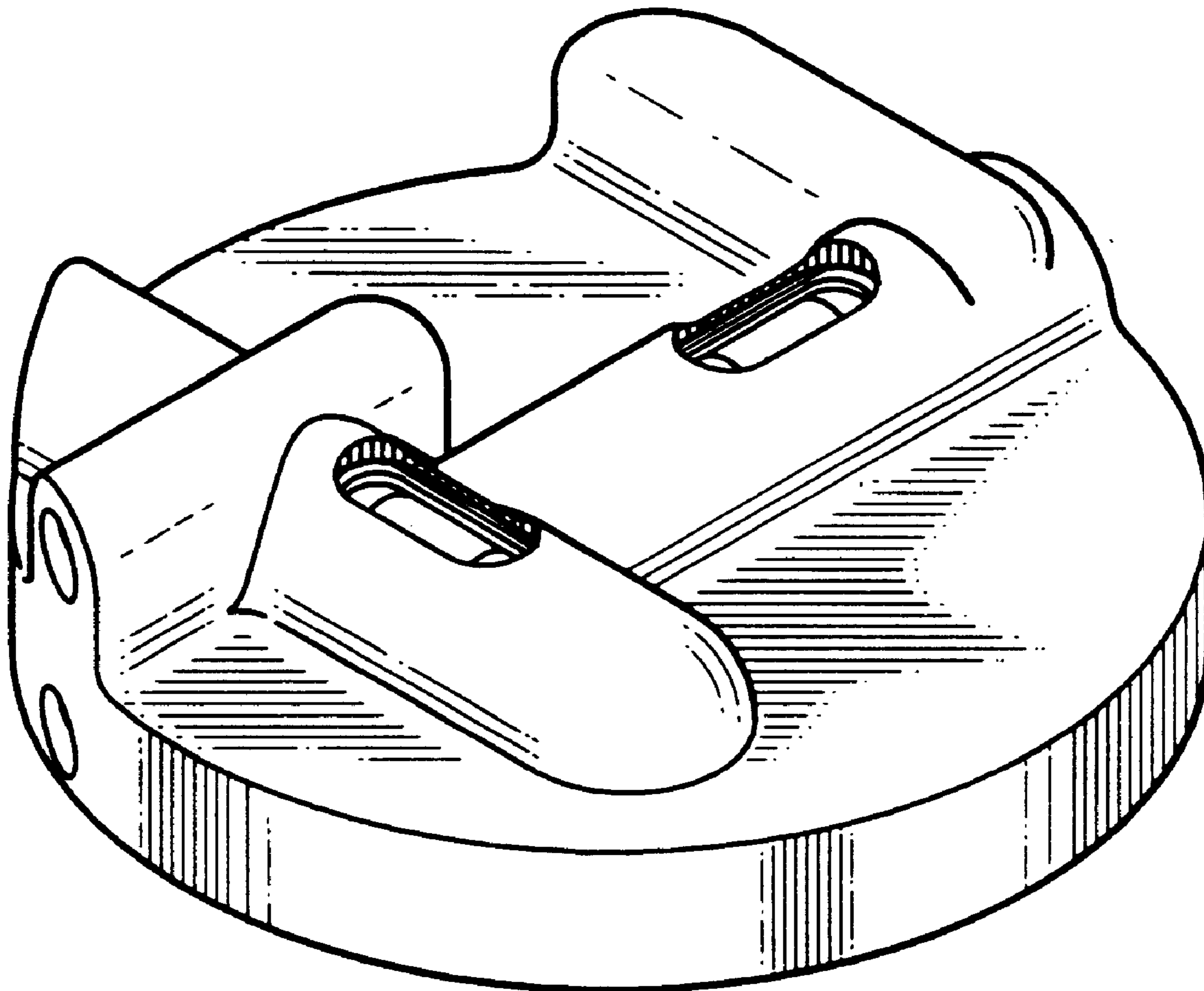


FIG. 1

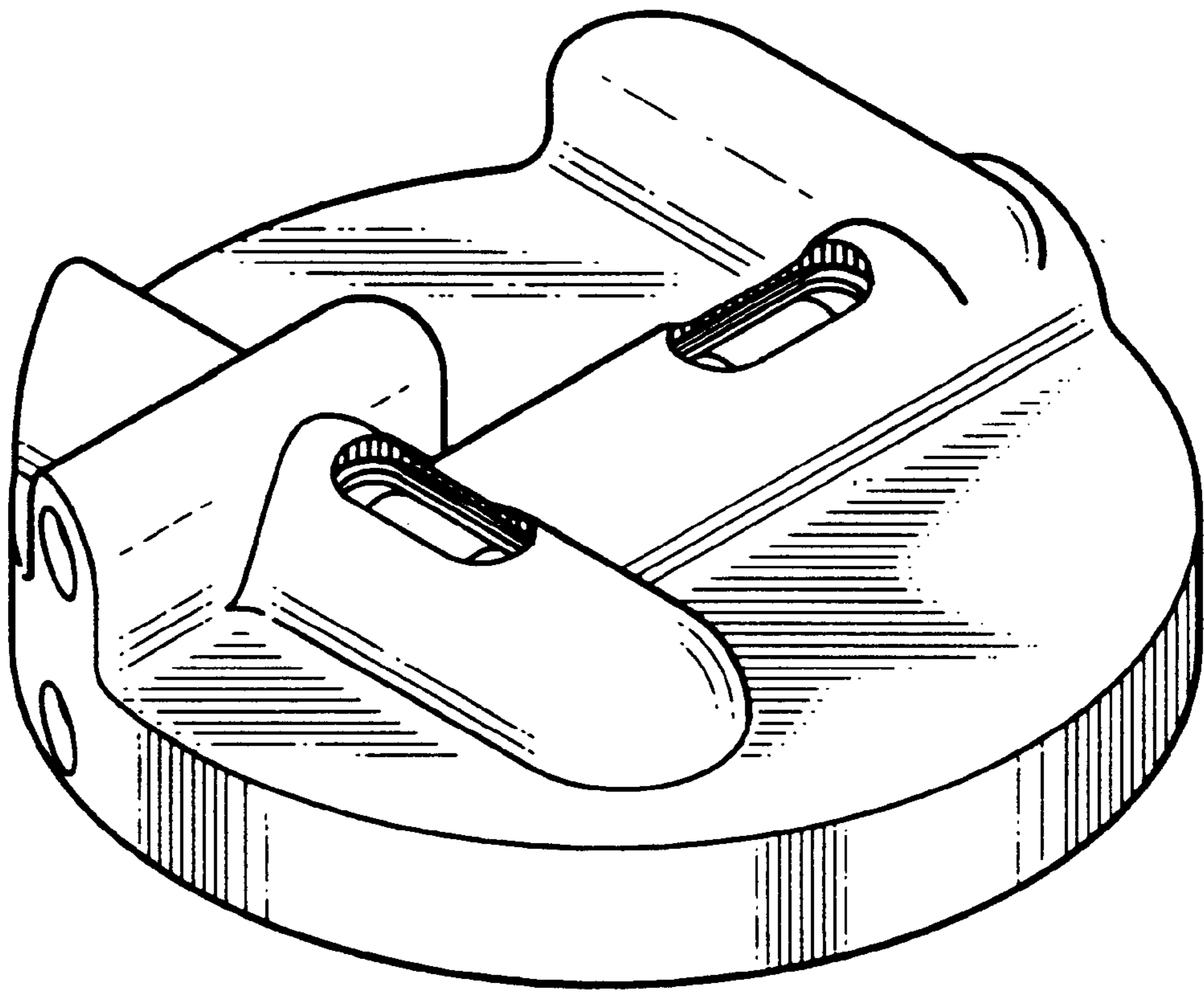


FIG. 2

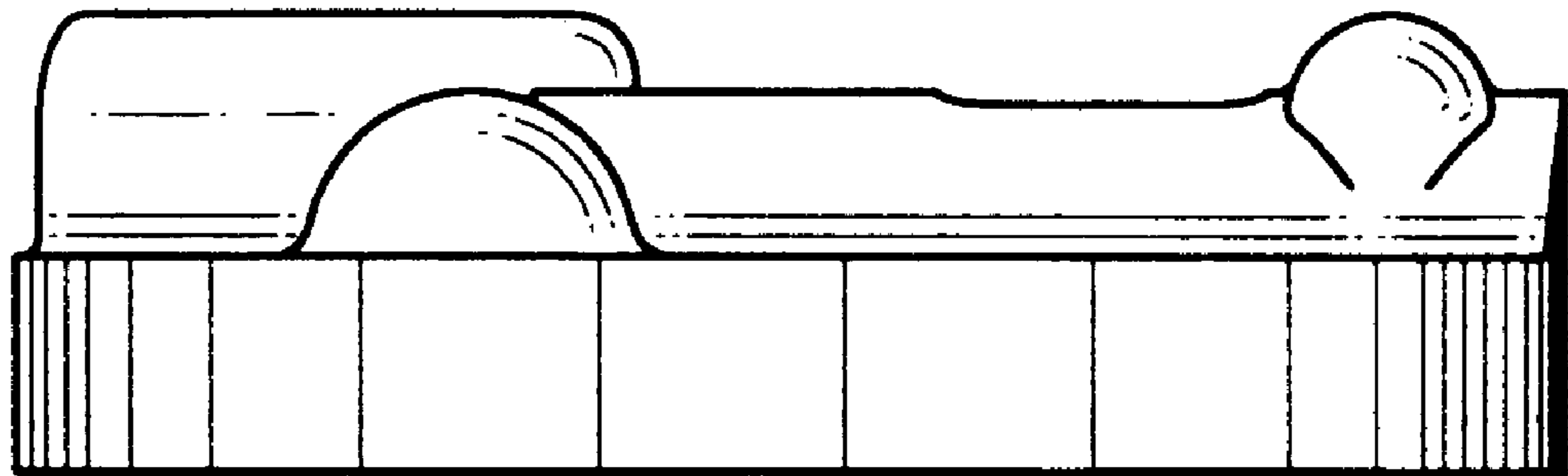


FIG. 3

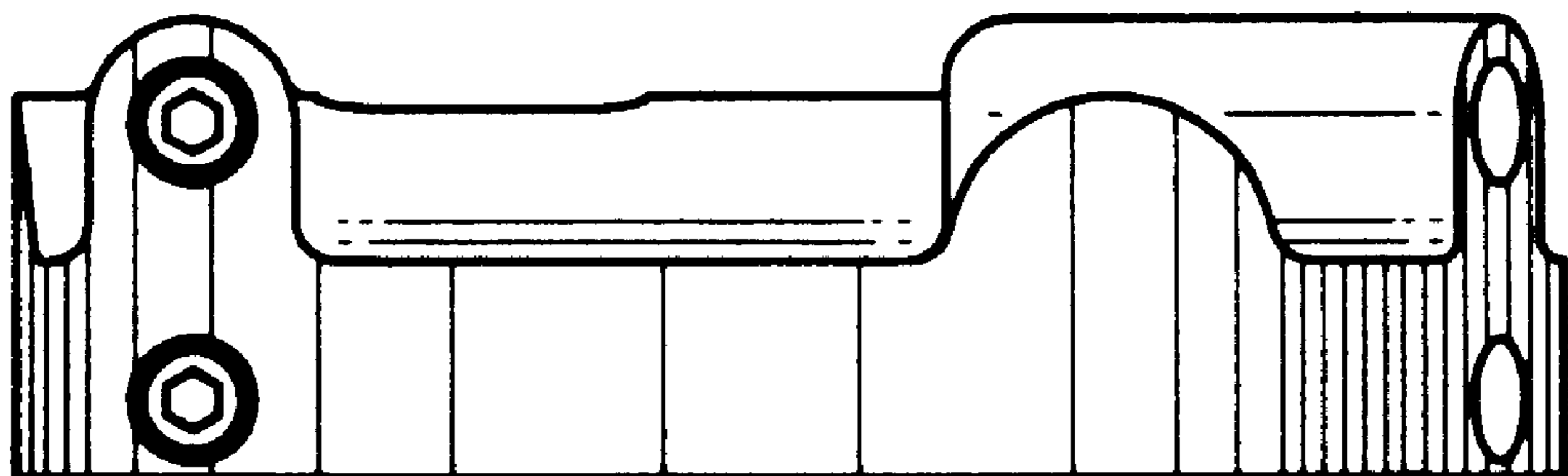


FIG. 4

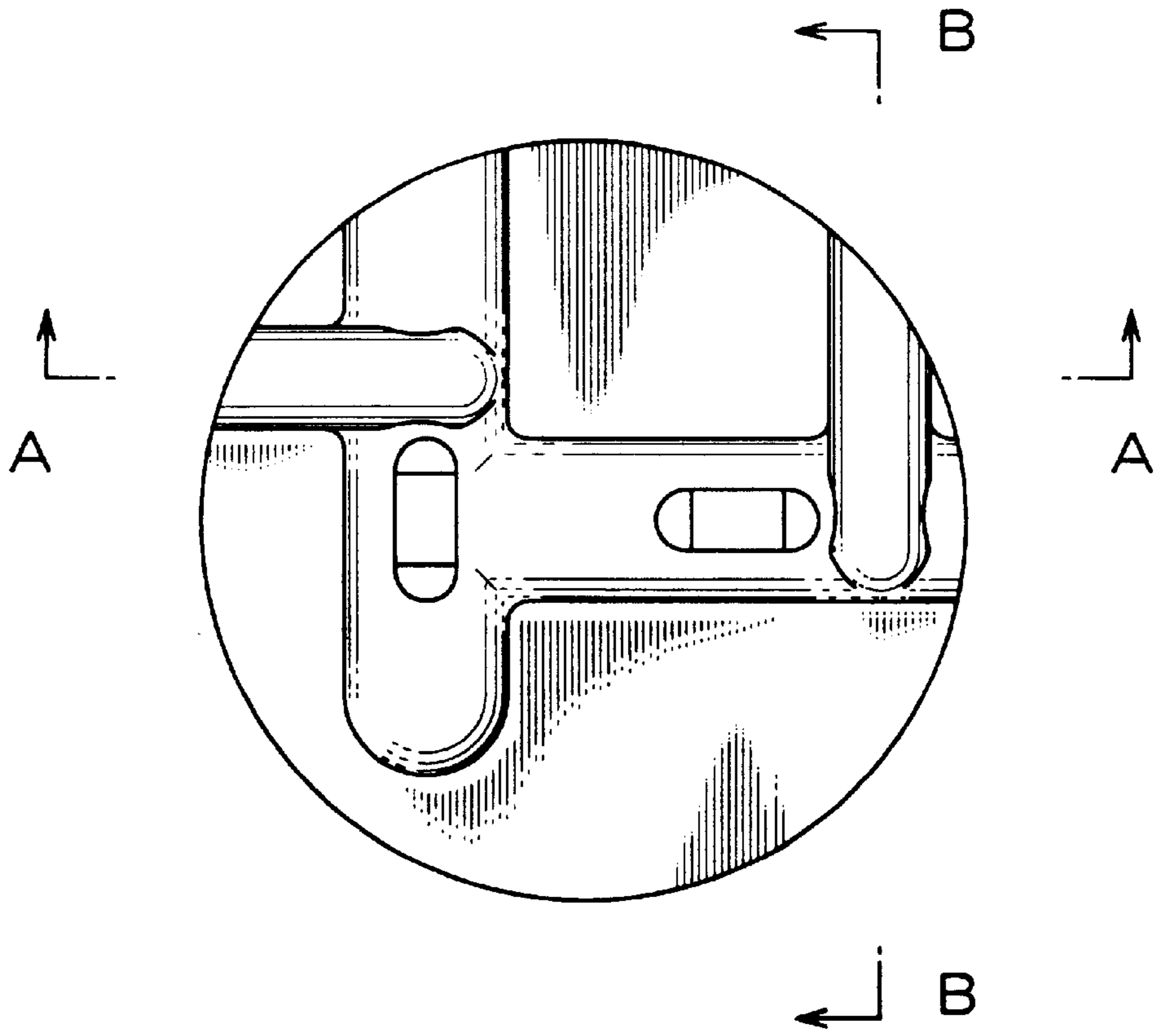


FIG. 5

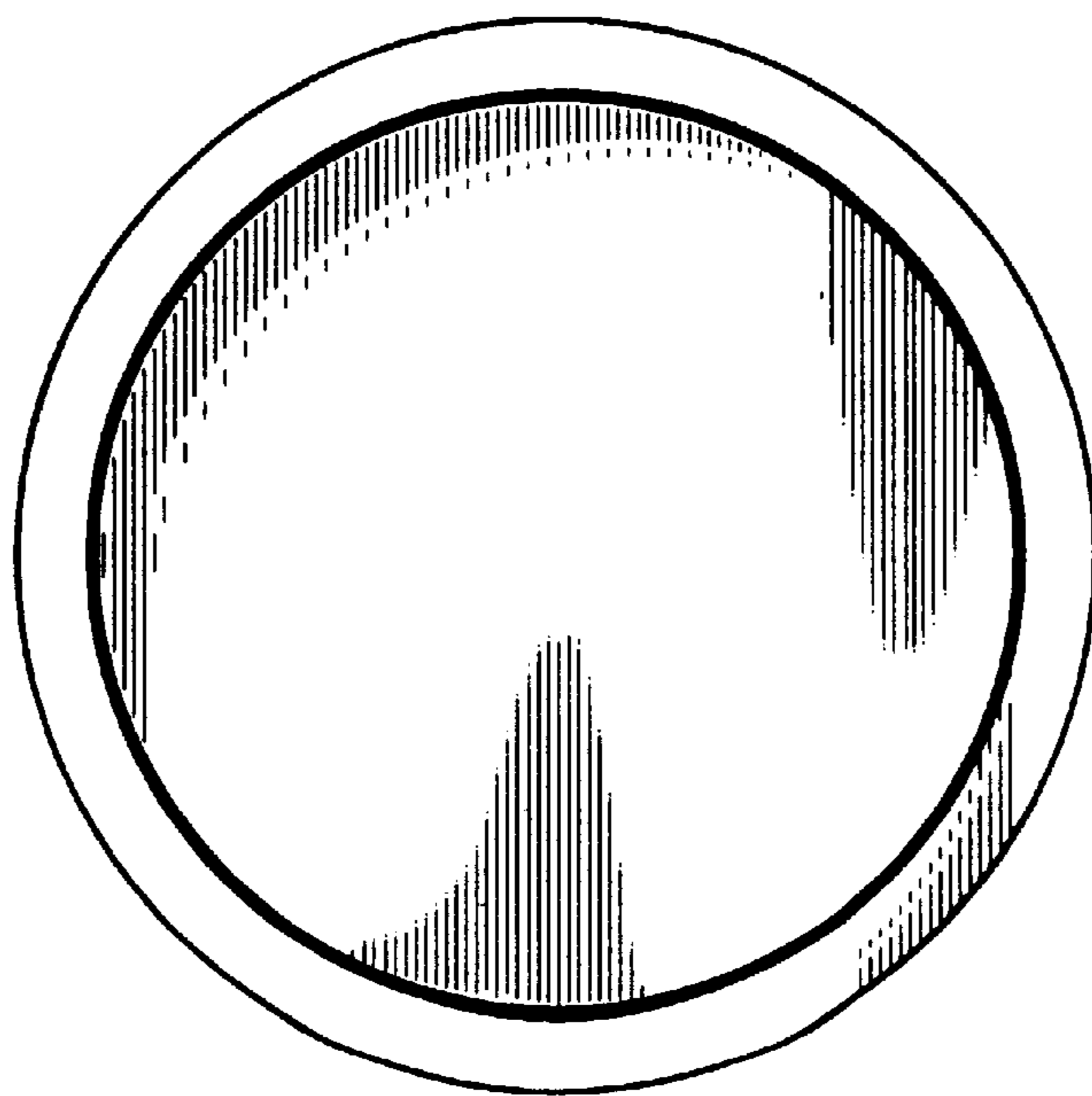


FIG. 6

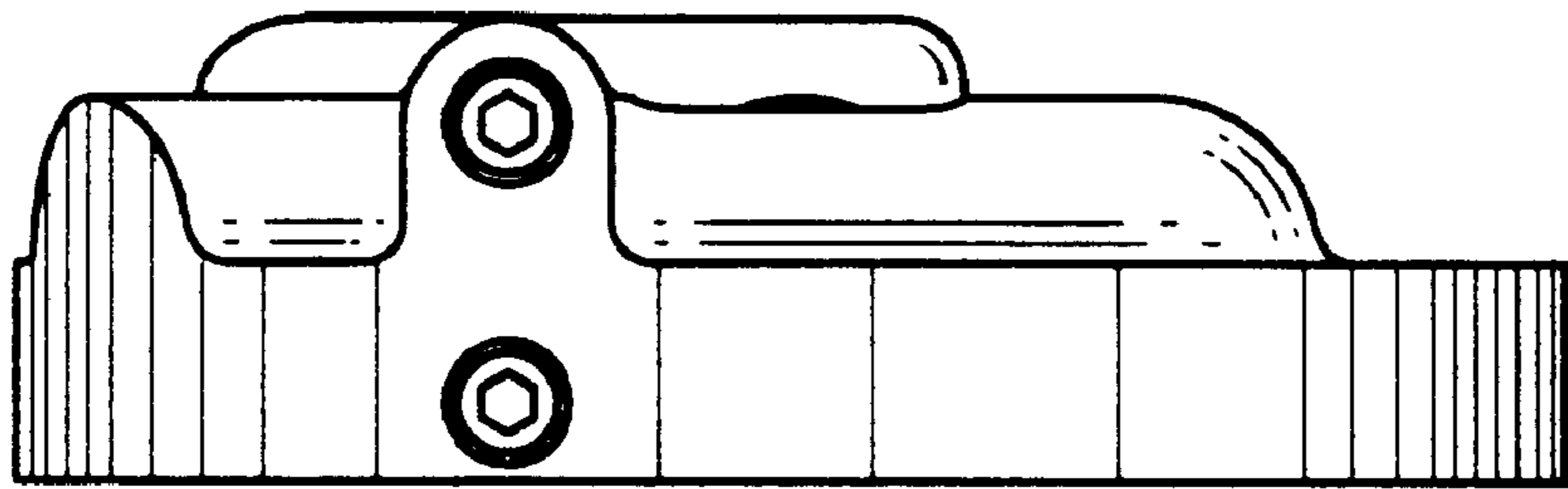


FIG. 7

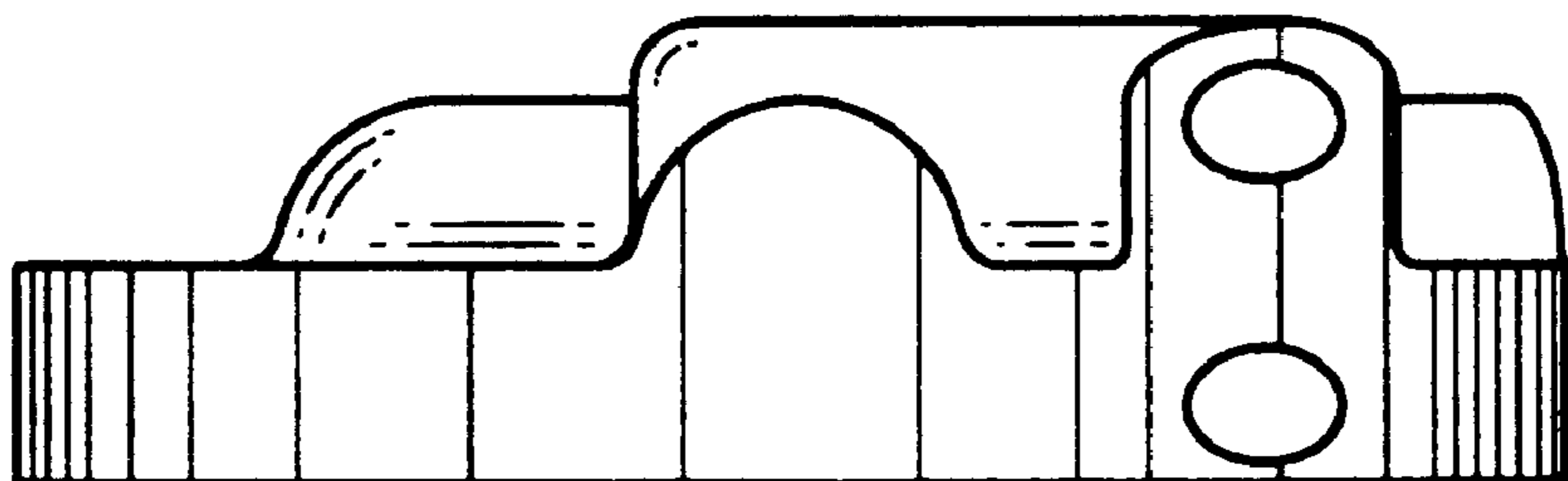


FIG. 8

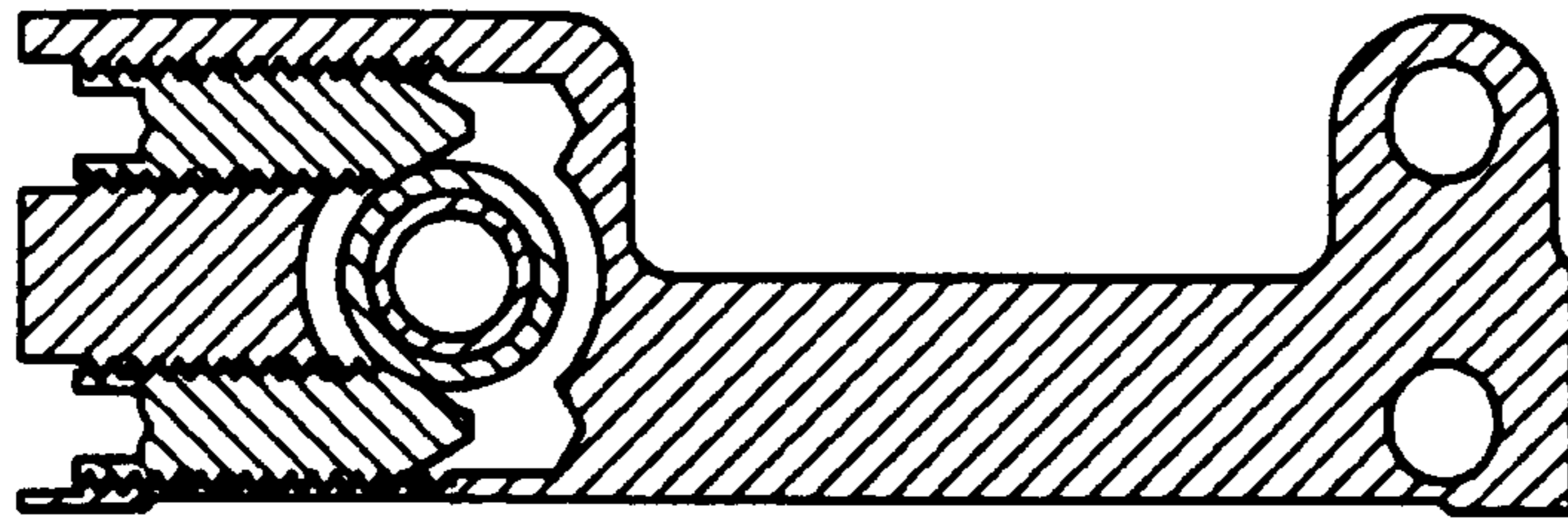


FIG. 9

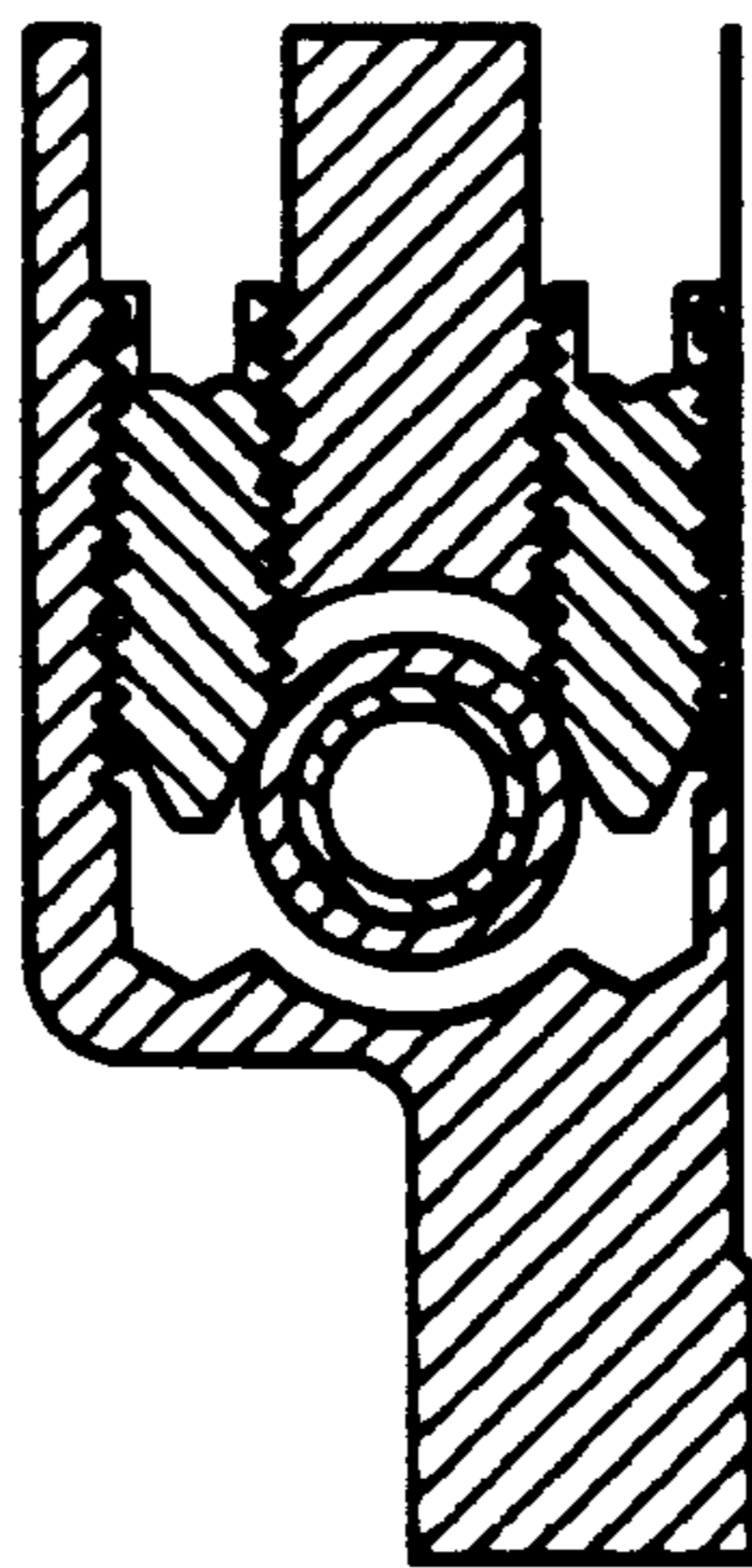


FIG. 10

