



US00D429170S

United States Patent [19]
Maquaire

[11] **Patent Number: Des. 429,170**

[45] **Date of Patent: ** Aug. 8, 2000**

[54] **EXPANSION MODULE FOR HANDHELD ELECTRONIC DEVICE**

[75] Inventor: **Jean-Pierre Maquaire**, Nantes, France

[73] Assignee: **M.L.R. Electronique (SA Conseil D'Administration)**, Vallet, France

[**] Term: **14 Years**

[21] Appl. No.: **29/089,483**

[22] Filed: **Jun. 16, 1998**

[30] **Foreign Application Priority Data**

Dec. 17, 1997 [FR] France 977375

[51] **LOC (7) Cl.** **10-04**

[52] **U.S. Cl.** **D10/65**

[58] **Field of Search** D10/65; 73/178 R;
340/995; 342/98, 102, 113, 115, 352, 356,
357, 359, 417-451; 364/200, 434, 443,
444, 449, 451, 708.1, 709.11

[56] **References Cited**

U.S. PATENT DOCUMENTS

5,862,511 1/1999 Croyle et al. 73/178 R

Primary Examiner—Antoine Duval Davis
Attorney, Agent, or Firm—Gray Cary Ware & Freidenrich LLP

[57] **CLAIM**

The ornamental design for an expansion module for a handheld electronic device, as shown and described.

DESCRIPTION

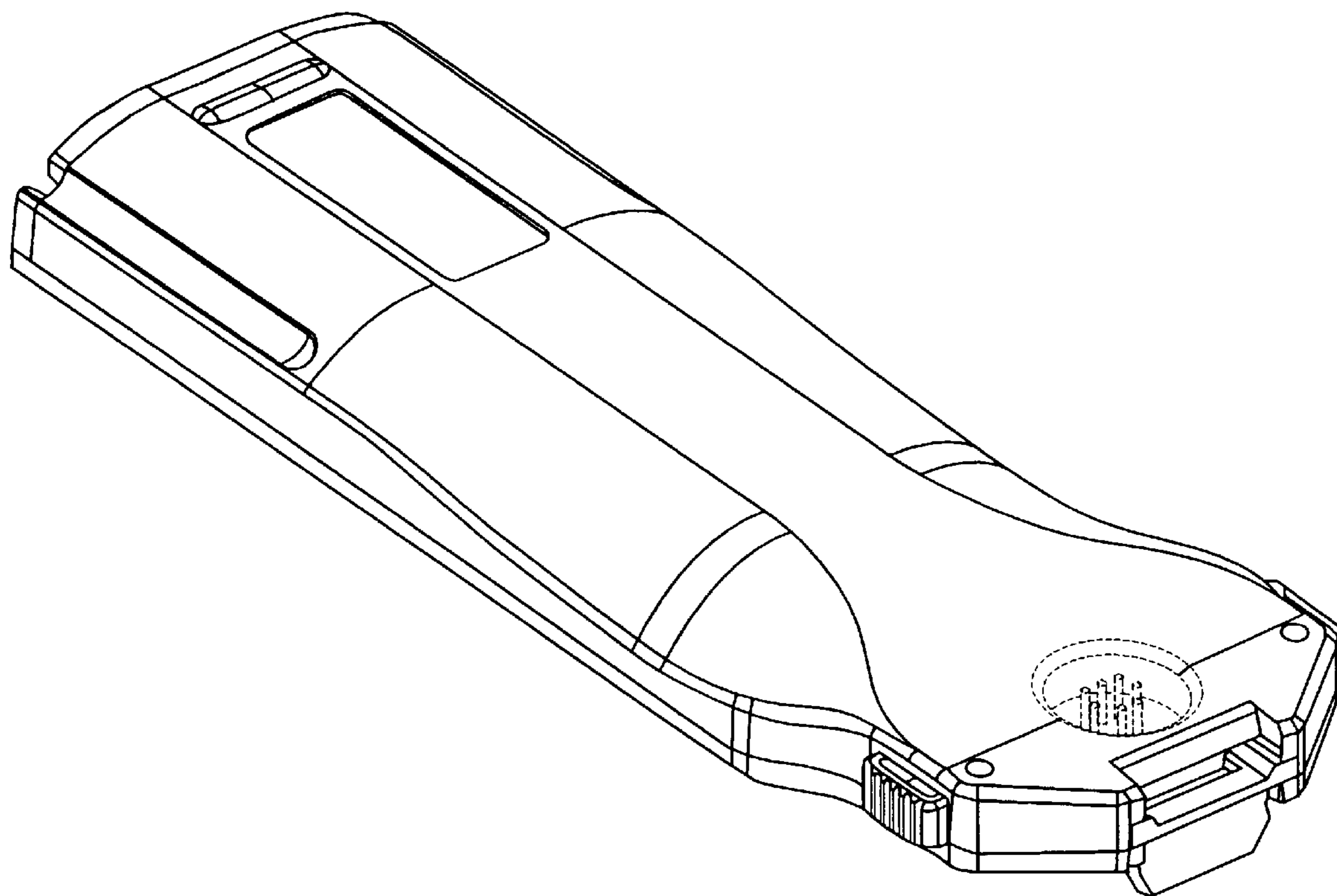
FIG. 1 is a top perspective view of an expansion module for a handheld electronic device; and,

FIG. 2 is a bottom perspective view of the expansion module of FIG. 1.

The particular male electrical connector pins illustrated in FIG. 1 and female electrical connector socket illustrated in FIG. 2 do not form part of the invention.

The broken line showing of pins and a socket are for illustrative purposes only and forms no part of the claimed design.

1 Claim, 2 Drawing Sheets



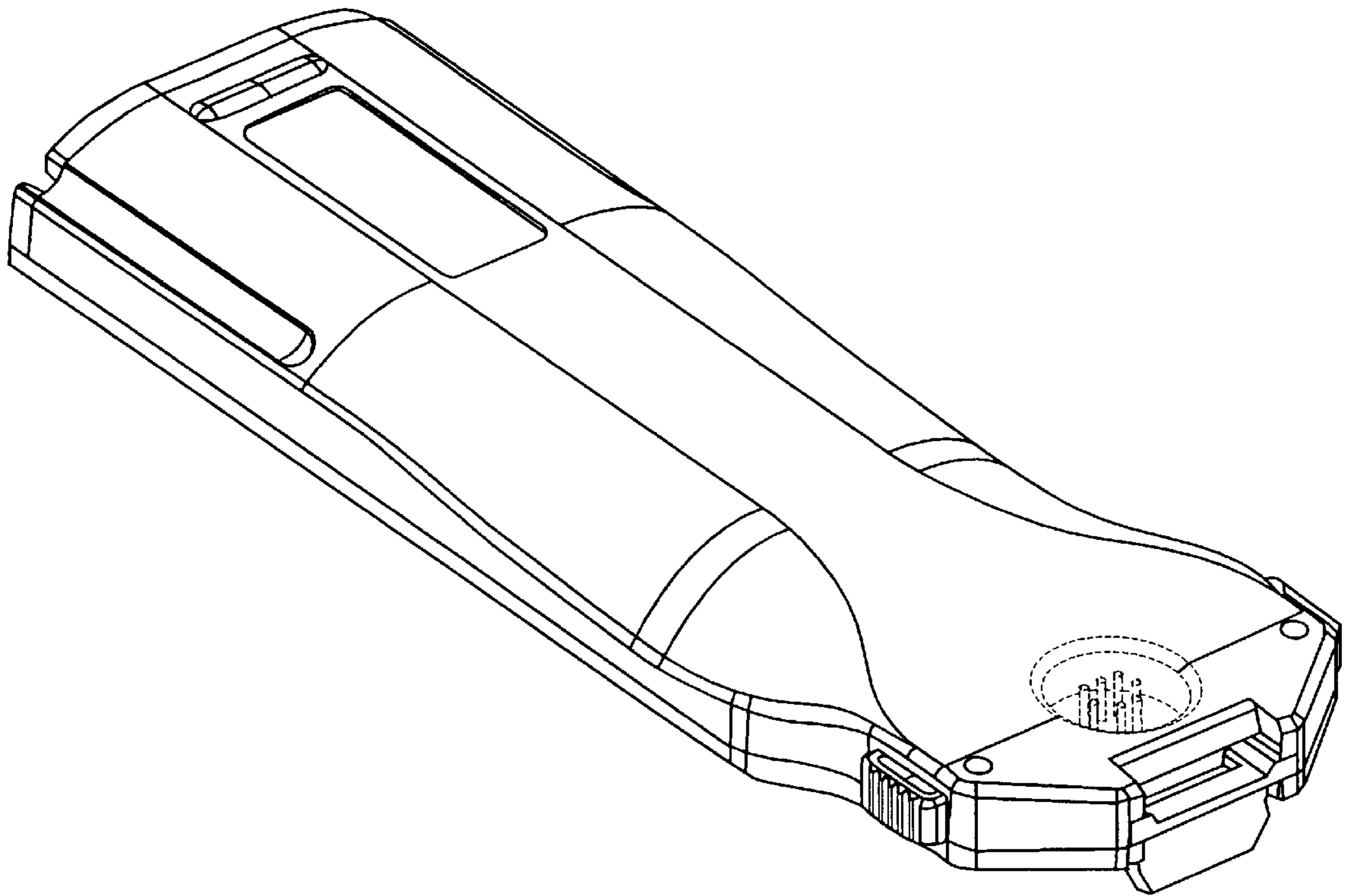


FIGURE 1

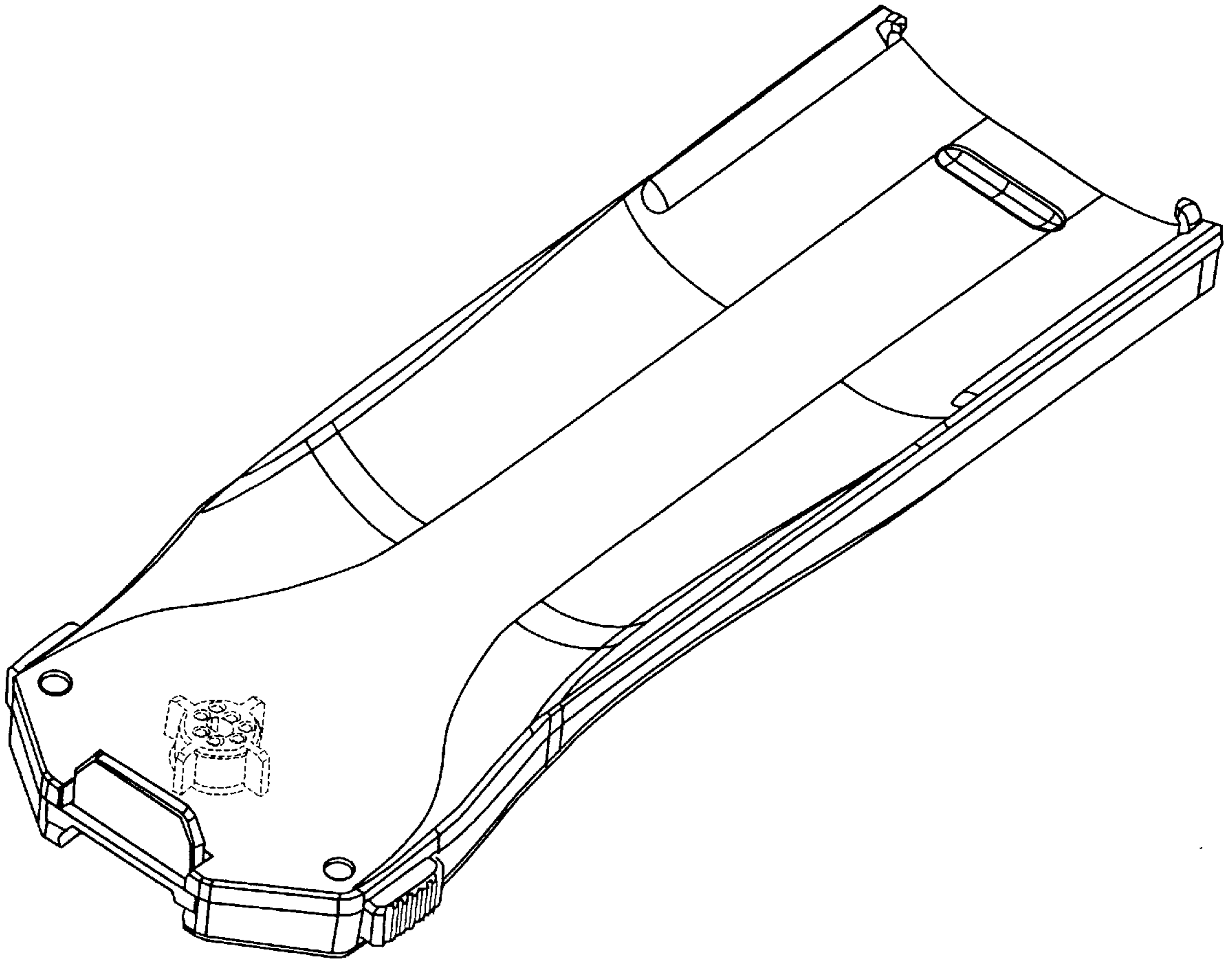


FIGURE 2