



US00D429164S

United States Patent [19]

[11] Patent Number: Des. 429,164

Peek et al.

[45] Date of Patent: ** Aug. 8, 2000

[54] **PLASTIC BOTTLE INCLUDING A GRIP PORTION**

5,598,941 2/1997 Semersky et al. 215/384

[75] Inventors: **William Jerome Peek**, Lithonia;
George R. Conrad, Alpharetta; **Craig P. Davis**, Atlanta, all of Ga.

Primary Examiner—Lucy Lieberman
Attorney, Agent, or Firm—Locke Reynolds LLP

[73] Assignee: **Ball Corporation**, Broomfield, Colo.

[57] **CLAIM**

[**] Term: **14 Years**

We claim the ornamental design for a plastic bottle including a grip portion, as shown and described.

[21] Appl. No.: **29/110,926**

DESCRIPTION

[22] Filed: **Sep. 16, 1999**

FIG. 1 is a side elevation view of the front side of a plastic bottle including a grip portion in accordance with the present invention.

[51] **LOC (7) Cl.** **09-01**

FIG. 2 is a side elevation of the right side of the plastic bottle shown in FIG. 1, the left side being a mirror image thereof.

[52] **U.S. Cl.** **D9/540; D9/520; D9/557**

FIG. 3 is a side elevation of the back side of the plastic bottle shown in FIGS. 1 and 2.

[58] **Field of Search** D9/539, 540, 543,
D9/538, 541, 520, 553, 557, 551; 215/381–384,
370–373

FIG. 4 is a bottom plan view.

[56] **References Cited**

FIG. 5 is a top plan view of the plastic bottle shown in the prior figures.

U.S. PATENT DOCUMENTS

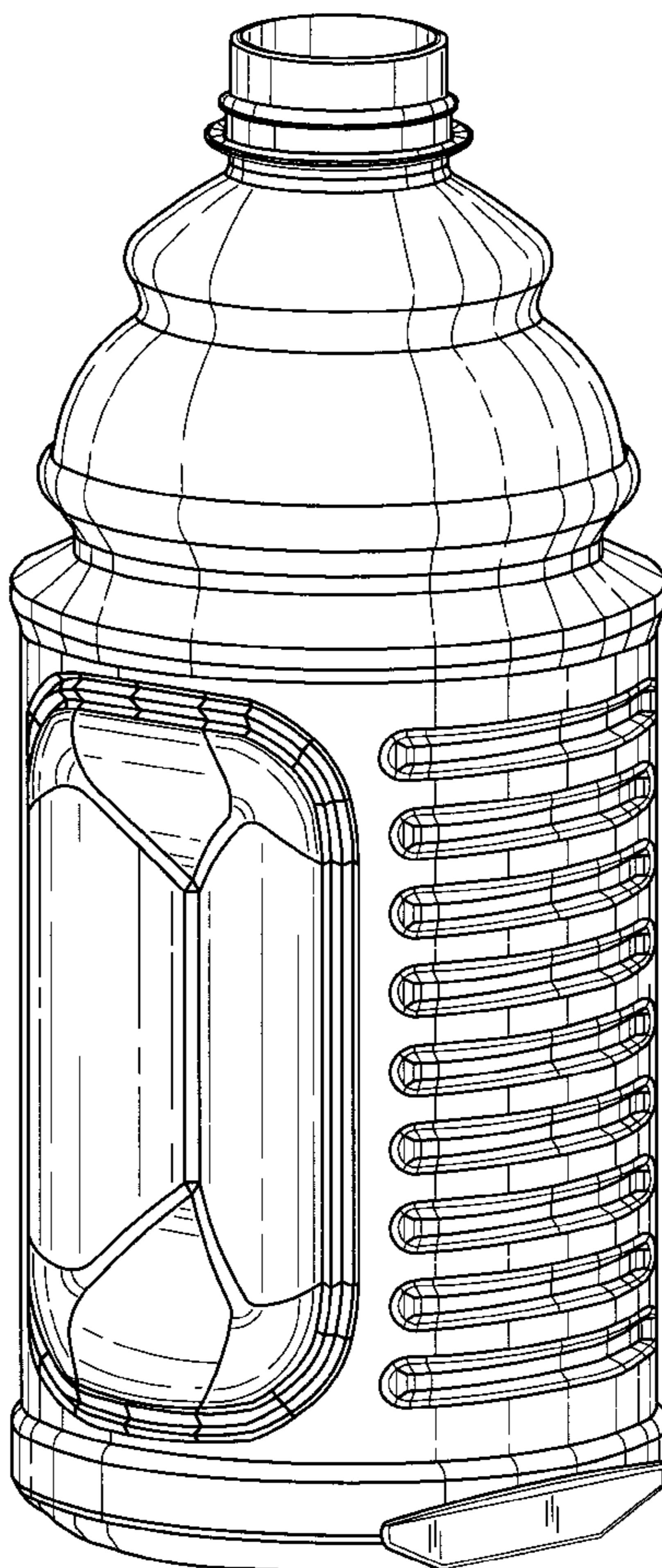
D. 316,967	5/1991	York	D9/500
D. 379,763	6/1997	Ewing, Jr.	D9/543
D. 390,114	2/1998	Young	D9/520
5,199,587	4/1993	Ota et al.	215/384
5,199,588	4/1993	Hayashi	215/381
5,472,105	12/1995	Krishnakumar et al.	215/384

FIG. 6 is a perspective view of the plastic bottle shown in the prior figures, showing the back and right sides; and,

FIG. 7 is a dead section of the plastic bottle shown in the prior figures, the section being taken along line 7—7 from FIG. 1.

The broken lines shown in FIG. 4 are for illustrative purposes only and do not form part of the claimed design.

1 Claim, 7 Drawing Sheets



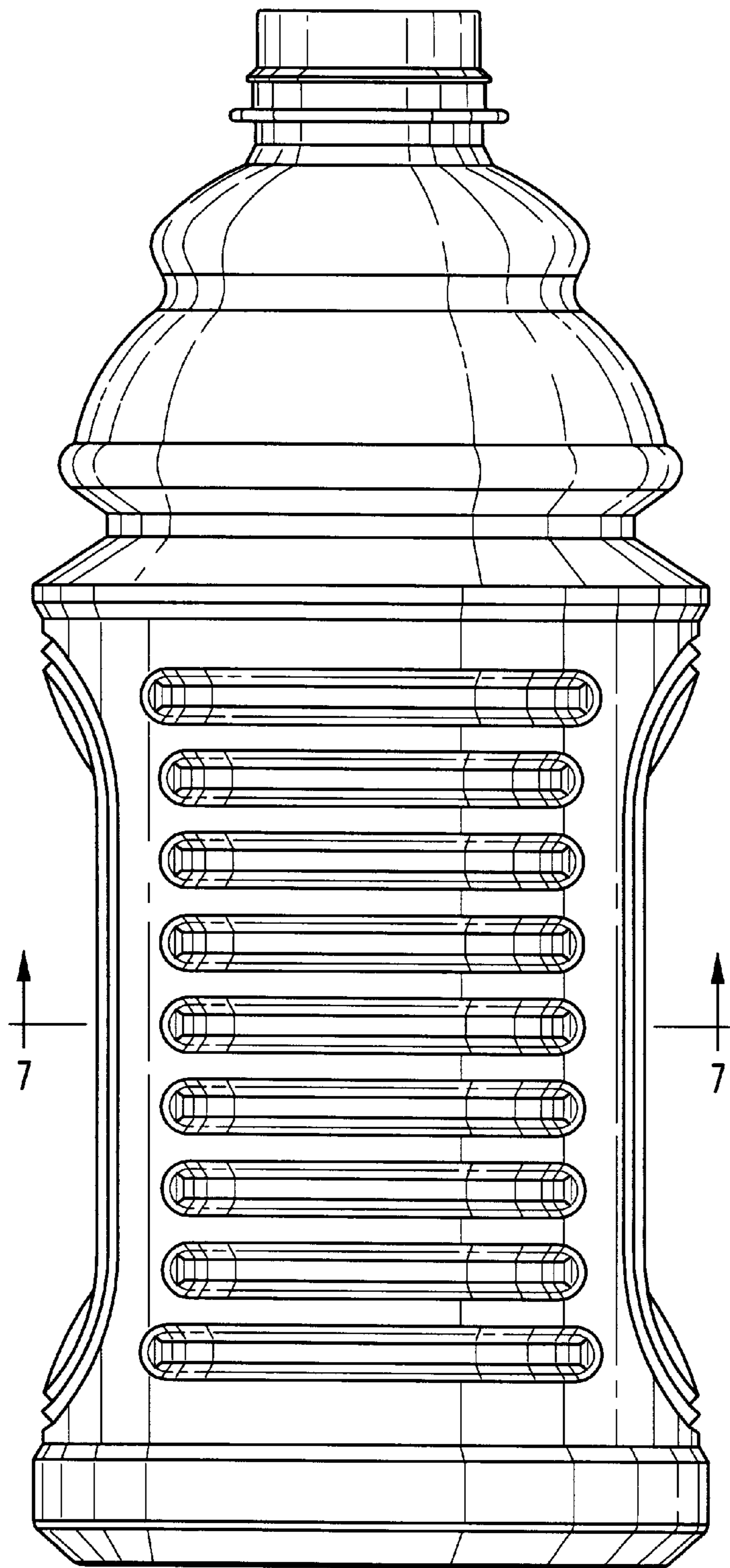


Fig. 1

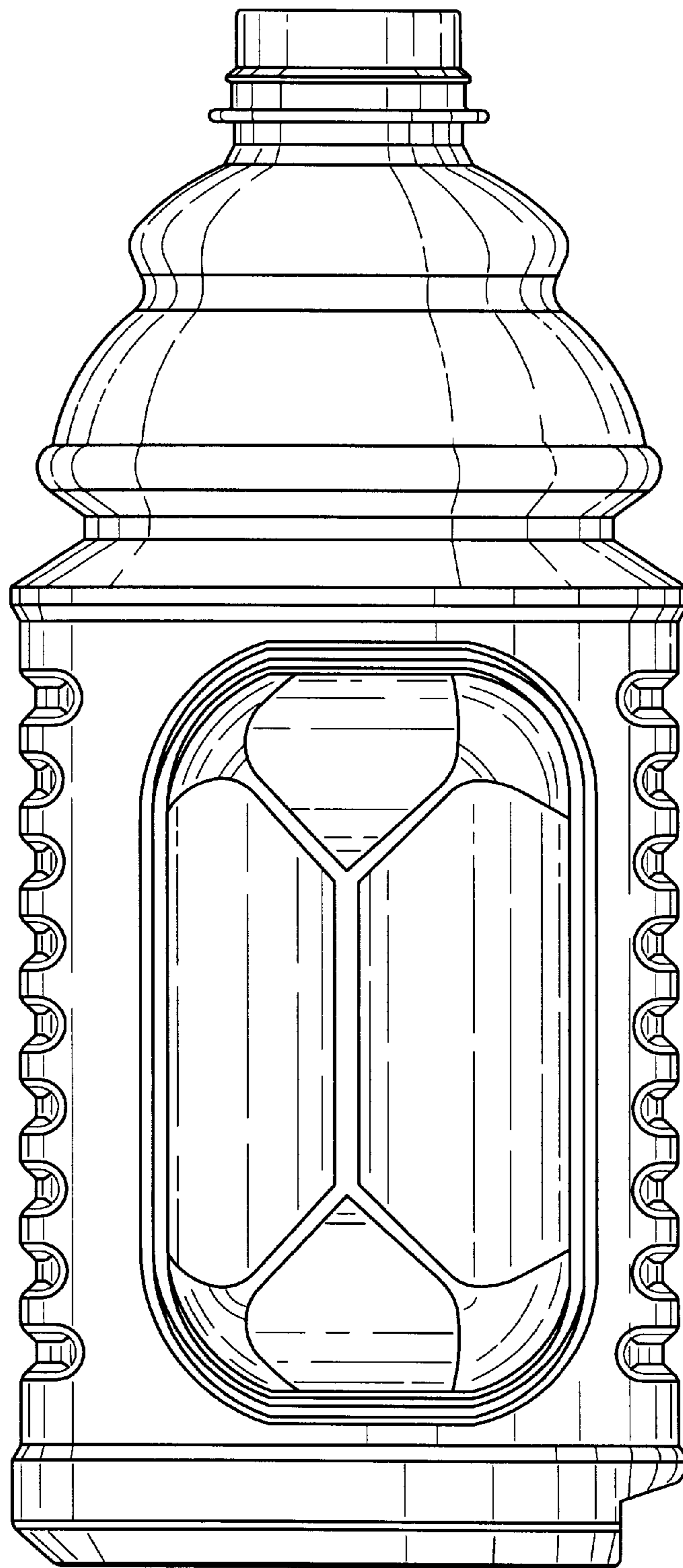


Fig. 2

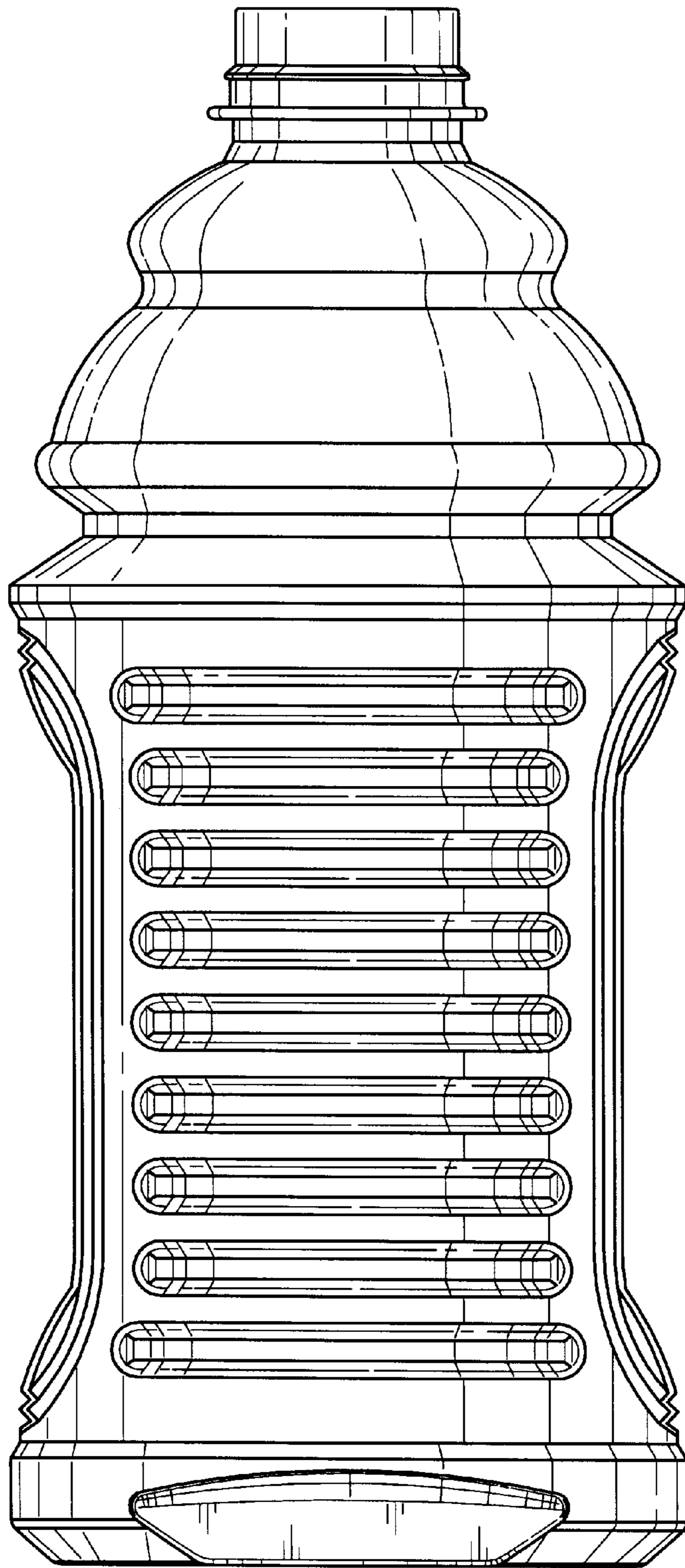


Fig. 3

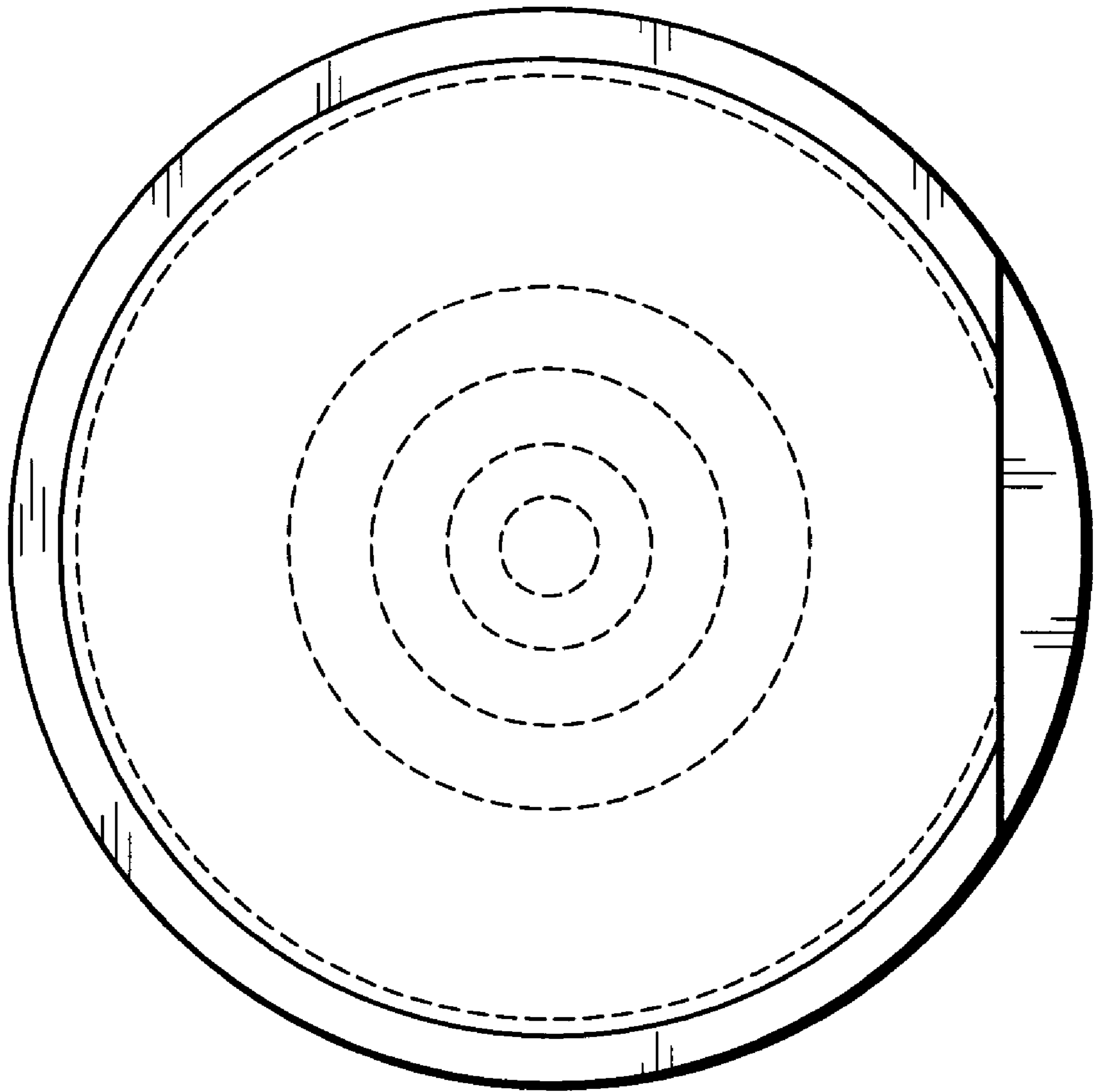


Fig. 4

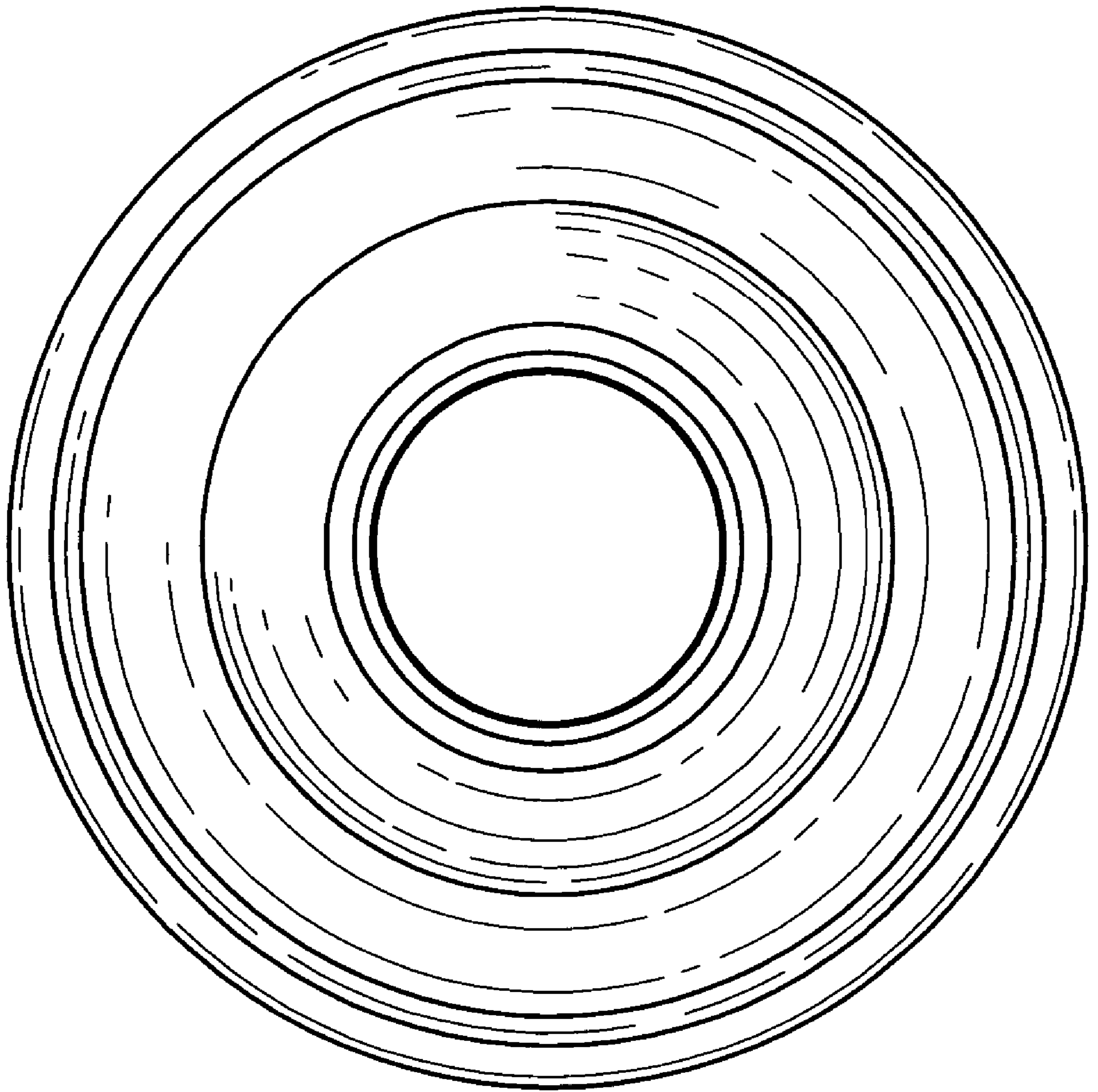


Fig. 5

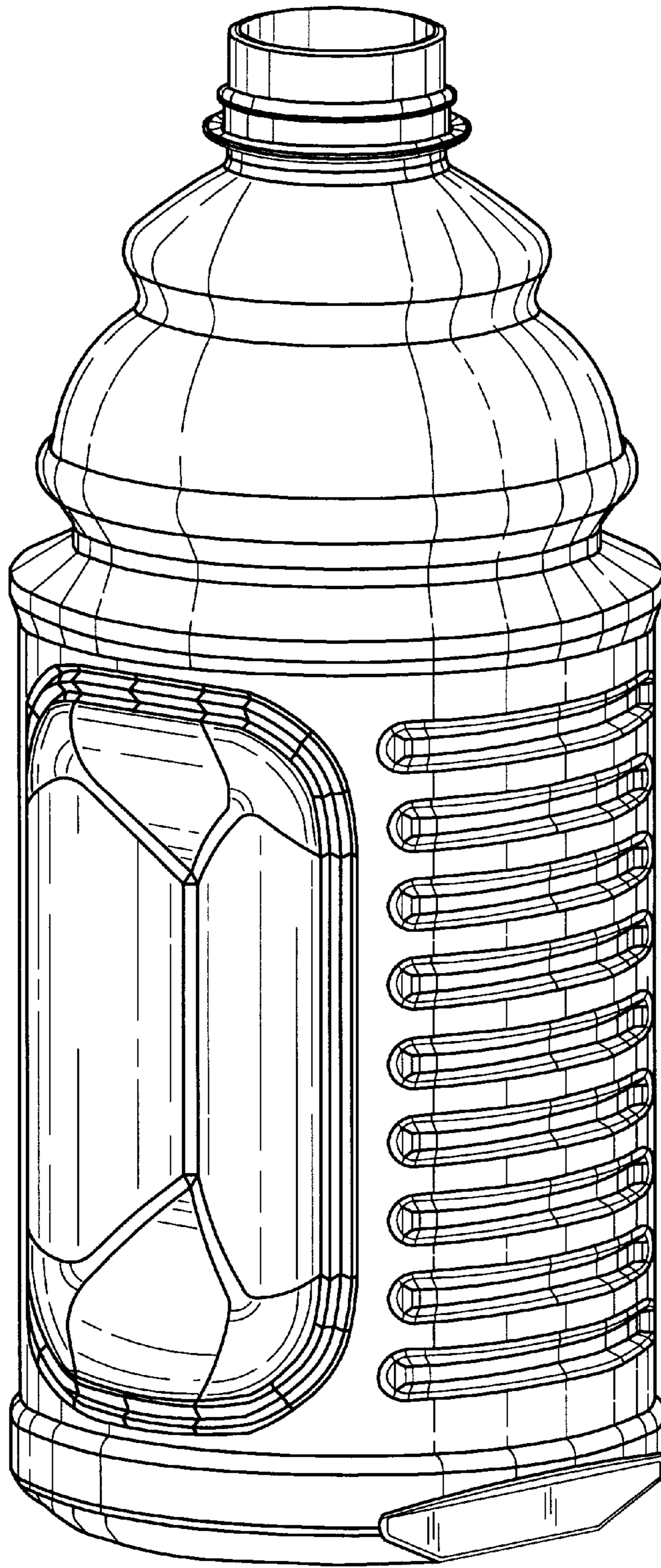


Fig. 6

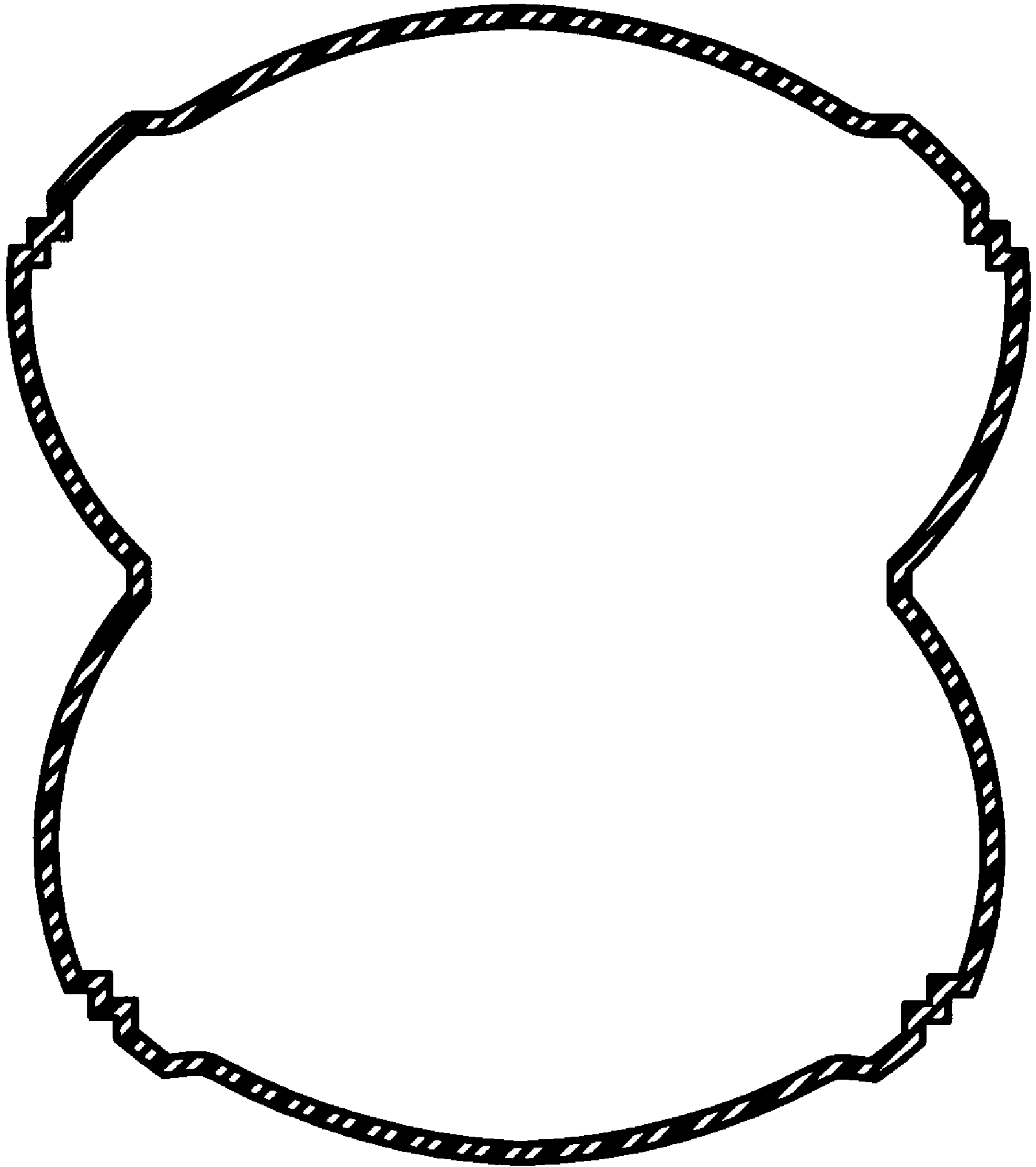


Fig. 7