



US00D429152S

United States Patent [19] Lane

[11] Patent Number: **Des. 429,152**

[45] Date of Patent: **** Aug. 8, 2000**

[54] **HANDGRIP**

[75] Inventor: **Michael T. Lane**, Brooklyn, Mich.

[73] Assignee: **Schmalbach-Lubeca AG**, Ratigen, Germany

[**] Term: **14 Years**

[21] Appl. No.: **29/107,440**

[22] Filed: **Jul. 6, 1999**

[51] **LOC (7) Cl.** **09-07**

[52] **U.S. Cl.** **D9/434**

[58] **Field of Search** D9/434, 520, 530, D9/537, 540, 557; 215/382, 383, 384; 220/669, 670, 672, 673, 675

[56] **References Cited**

U.S. PATENT DOCUMENTS

D. 344,347	2/1994	Prevot	D9/537
D. 344,457	2/1994	Prevot et al.	.	
D. 390,114	2/1998	Young	D9/520
D. 419,872	2/2000	Lane	D9/434
4,381,061	4/1983	Cerny et al.	.	
4,804,097	2/1989	Alberghini et al.	.	
4,805,788	2/1989	Akiho	.	
4,863,046	9/1989	Collette et al.	.	
4,877,141	10/1989	Hayashi et al.	.	

4,890,752	1/1990	Ota et al.	.	
4,993,565	2/1991	Ota et al.	.	
5,054,632	10/1991	Alberghini et al.	.	
5,141,120	8/1992	Brown et al.	.	
5,141,121	8/1992	Brown et al.	.	
5,148,930	9/1992	Ota et al.	.	
5,165,557	11/1992	Ota et al.	.	
5,199,587	4/1993	Ota et al.	.	
5,392,937	2/1995	Prevot et al.	215/396 X
5,598,941	2/1997	Semersky et al.	215/384
5,758,790	6/1998	Ewing, Jr.	215/384

FOREIGN PATENT DOCUMENTS

1397037	2/1968	France	.
1218395	11/1989	United Kingdom	.

Primary Examiner—Cathron B. Matta
Attorney, Agent, or Firm—Harness, Dickey & Pierce, P.L.C.

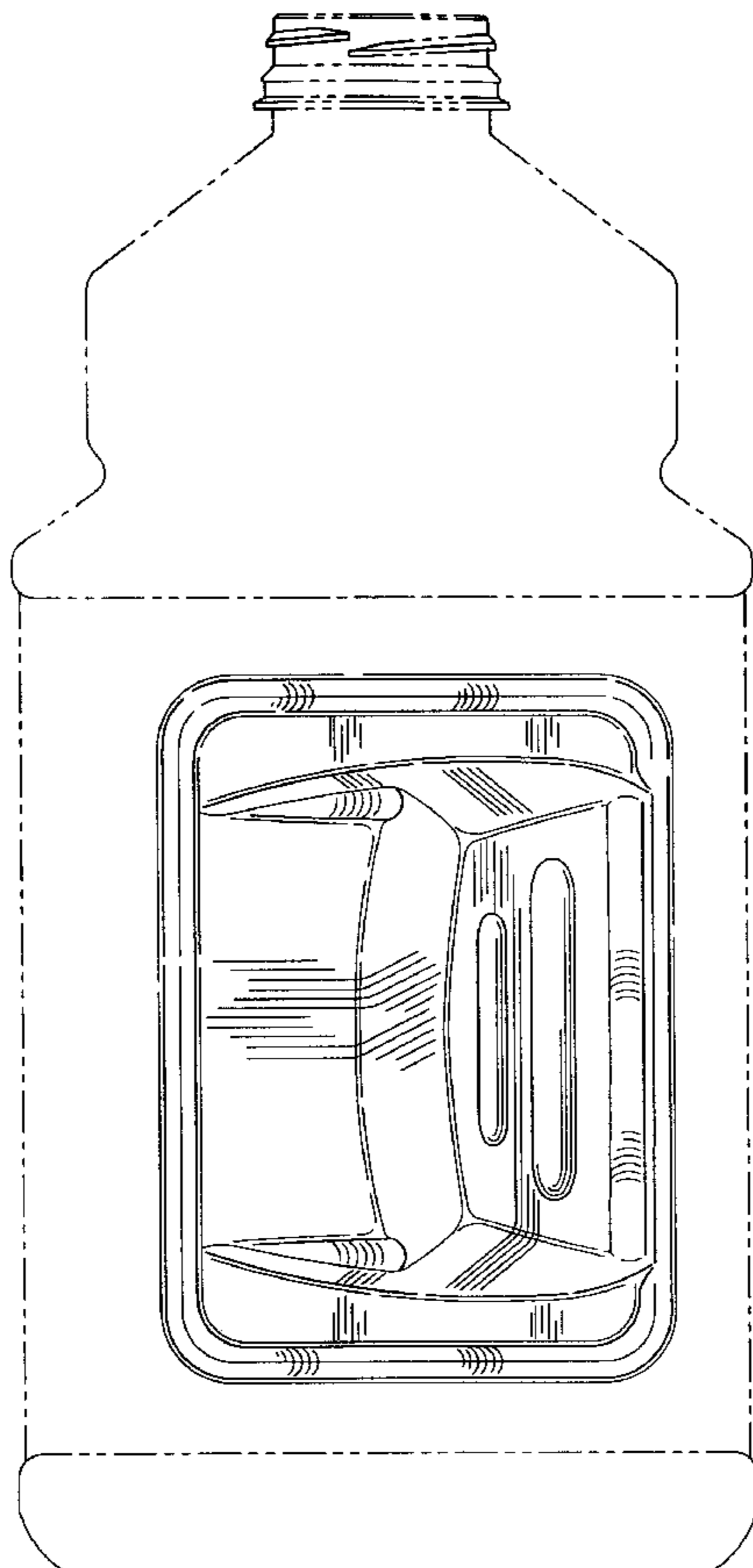
[57] CLAIM

The ornamental design for a handgrip, as shown and described.

DESCRIPTION

FIG. 1 is a side view of the handgrip; FIG. 2 is a rear view of the handgrip; and, FIG. 3 is a front view of the handgrip. The broken lines in the drawings are for illustrative purposes only and do not form part of the claimed design.

1 Claim, 2 Drawing Sheets



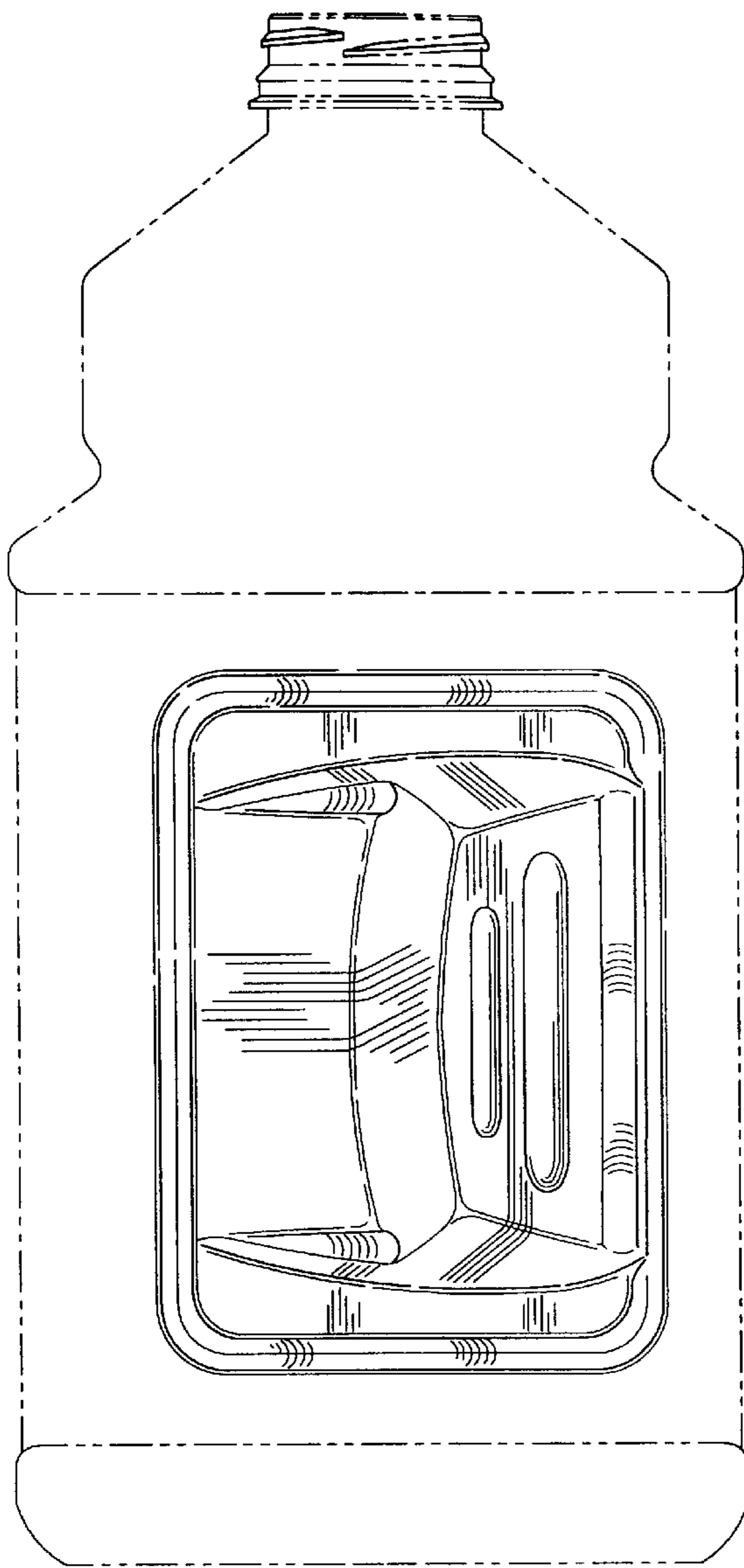


Fig-1

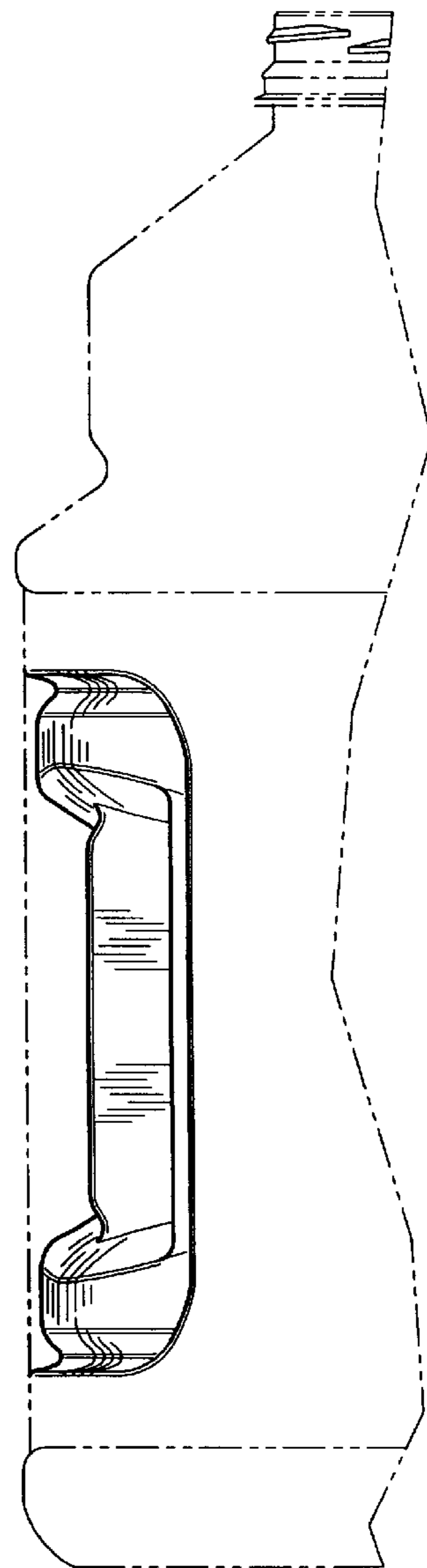


Fig-2

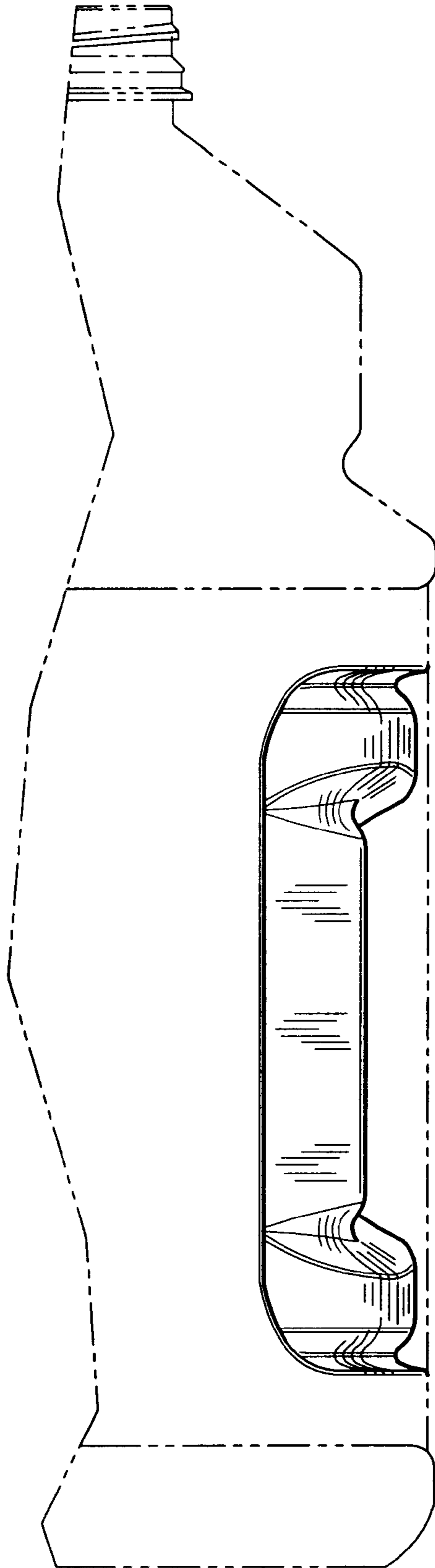


Fig-3

Dedication

Des. 429,152—Michael T. Lane, Brooklyn, Mich. HANDGRIP. Patent dated August 8, 2000. Dedication filed January 12, 2001, by the assignee, Schmalbach-Lubeca AG.

Hereby dedicates to the Public the entire term of said patent.
(*Official Gazette, May 8, 2001*)