



US00D429150S

United States Patent [19]

Lindsay et al.

[11] Patent Number: Des. 429,150

[45] Date of Patent: ** Aug. 8, 2000

[54] CONTAINER

[75] Inventors: **Dean Lindsay**, Winnetka; **Tiffany Park**, Northbrook; **Christopher True**, Bartlett; **John Cherry**, Naperville, all of Ill.; **Jean-Marc Henri Kirouac**; **Michael William Worstell**, both of Williamsburg, Va.; **Patrick Lee O'Brien**, Yorktown, Va.

[73] Assignee: **The Quaker Oats Company**, Chicago, Ill.

[**] Term: **14 Years**

[21] Appl. No.: **29/104,904**

[22] Filed: **May 13, 1999**

[51] LOC (7) Cl. **09-03**

[52] U.S. Cl. **D9/425; D7/602**

[58] Field of Search D9/337, 341, 345, D9/346, 347, 430-432, 425, 414, 415, 429, 500, 516, 517; D7/604, 509, 523, 543, 545, 603; D11/152-154; 220/669, 675, 781, 793, 671

[56] References Cited

U.S. PATENT DOCUMENTS

- D. 215,824 11/1969 Vanderhyde D9/425
- D. 280,600 9/1985 Earl D9/425
- D. 330,514 10/1992 Edwards D9/431

- D. 336,041 6/1993 Zama D9/431
- D. 351,790 10/1994 Haindl D9/425
- D. 357,859 5/1995 Klapwald D9/429
- D. 364,112 11/1995 Dickinson et al. D11/152
- D. 368,234 3/1996 Dickinson et al. D11/152
- D. 409,945 5/1999 Hensen D11/152
- D. 409,946 5/1999 Hensen D11/152
- 3,443,714 5/1969 Edwards 220/671
- 3,703,255 11/1972 Wade 229/400
- 3,850,361 11/1974 Day et al. 206/232
- 5,203,836 4/1993 Brazis et al. 206/507

Primary Examiner—Ted Shooman
Assistant Examiner—Carol Rademaker
Attorney, Agent, or Firm—Lars S. Johnson

[57] CLAIM

The ornamental design for a container, as shown and described.

DESCRIPTION

FIG. 1 is a perspective view of a container embodying our new design;
FIG. 2 is a front elevational view of the container depicted in FIG. 1, the rear and side elevational views being identical;
FIG. 3 is a top plan view of the container depicted in FIG. 2; and,
FIG. 4 is a bottom plan view of the container depicted in FIG. 2.
The broken line environmental showing is for illustrative purposes only and does not form part of the claimed design.

1 Claim, 2 Drawing Sheets

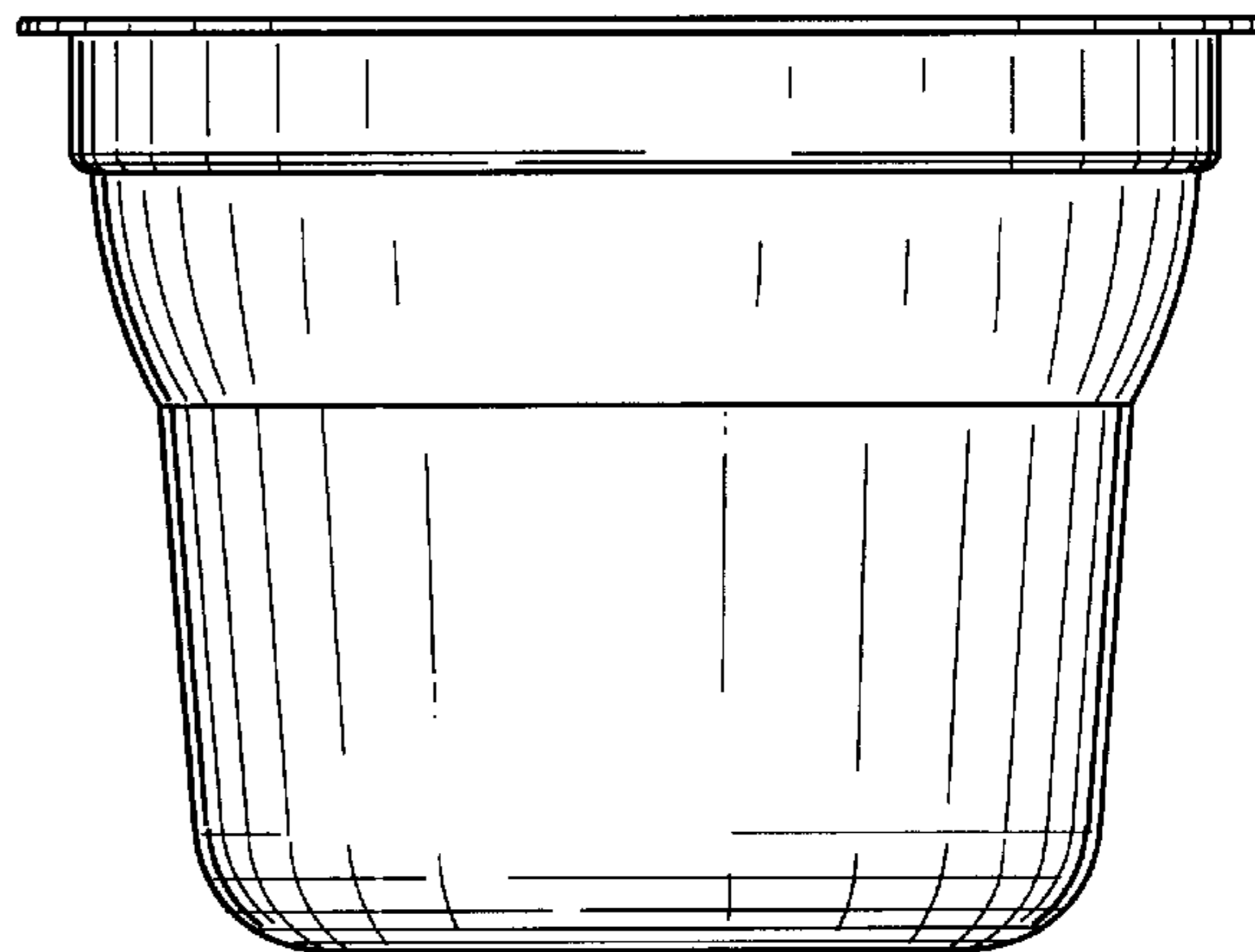
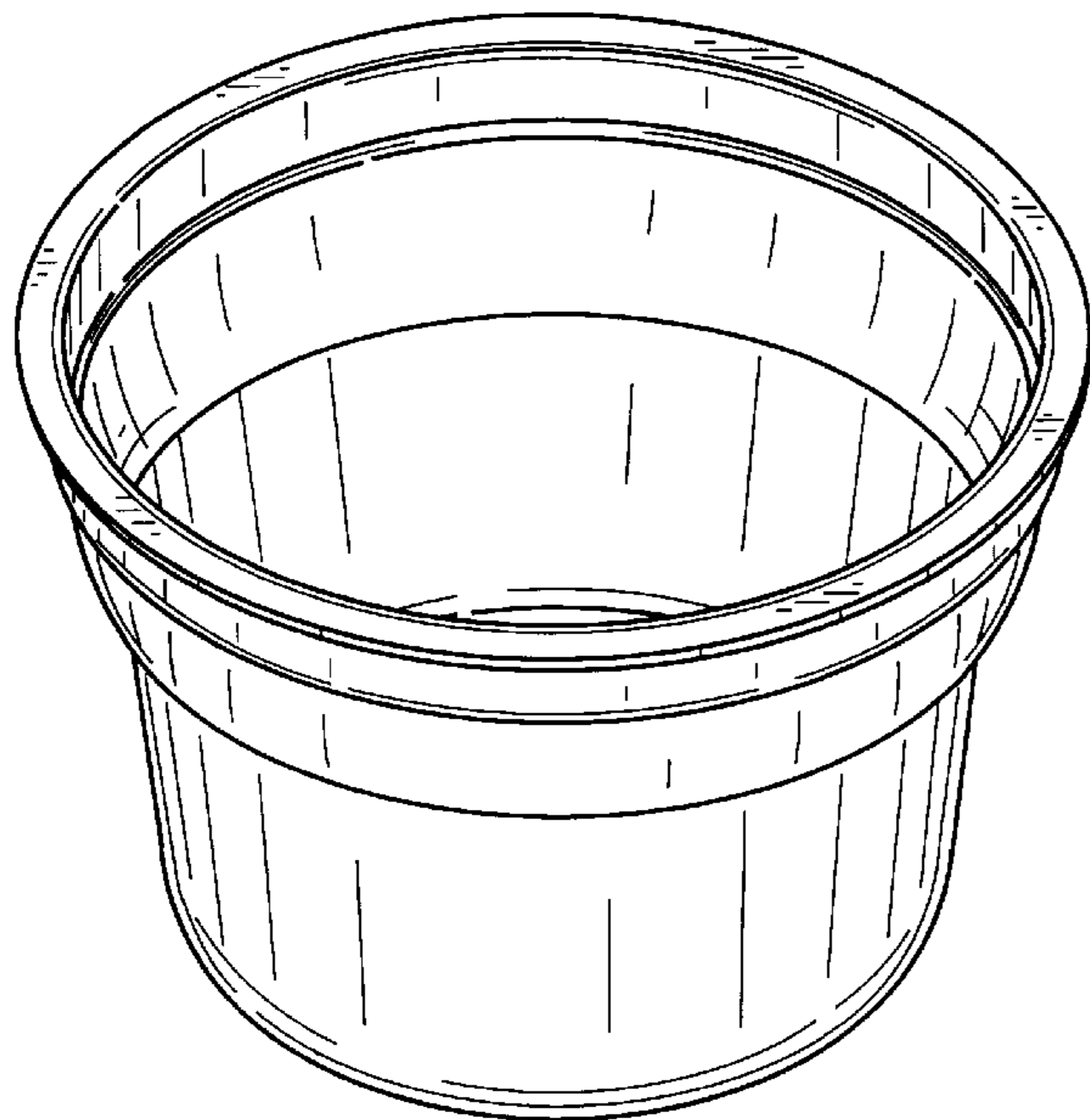


FIG. 1

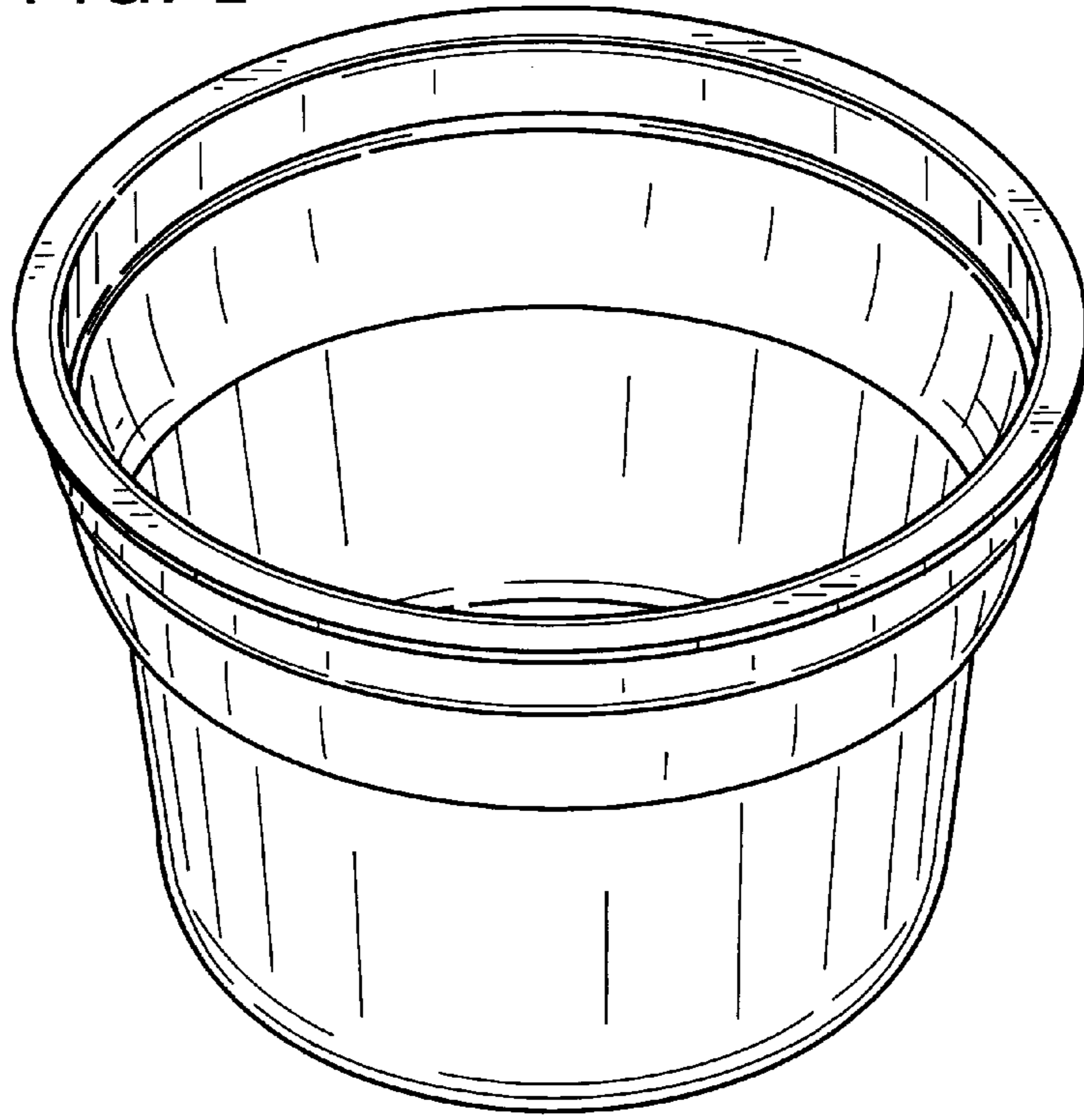


FIG. 2

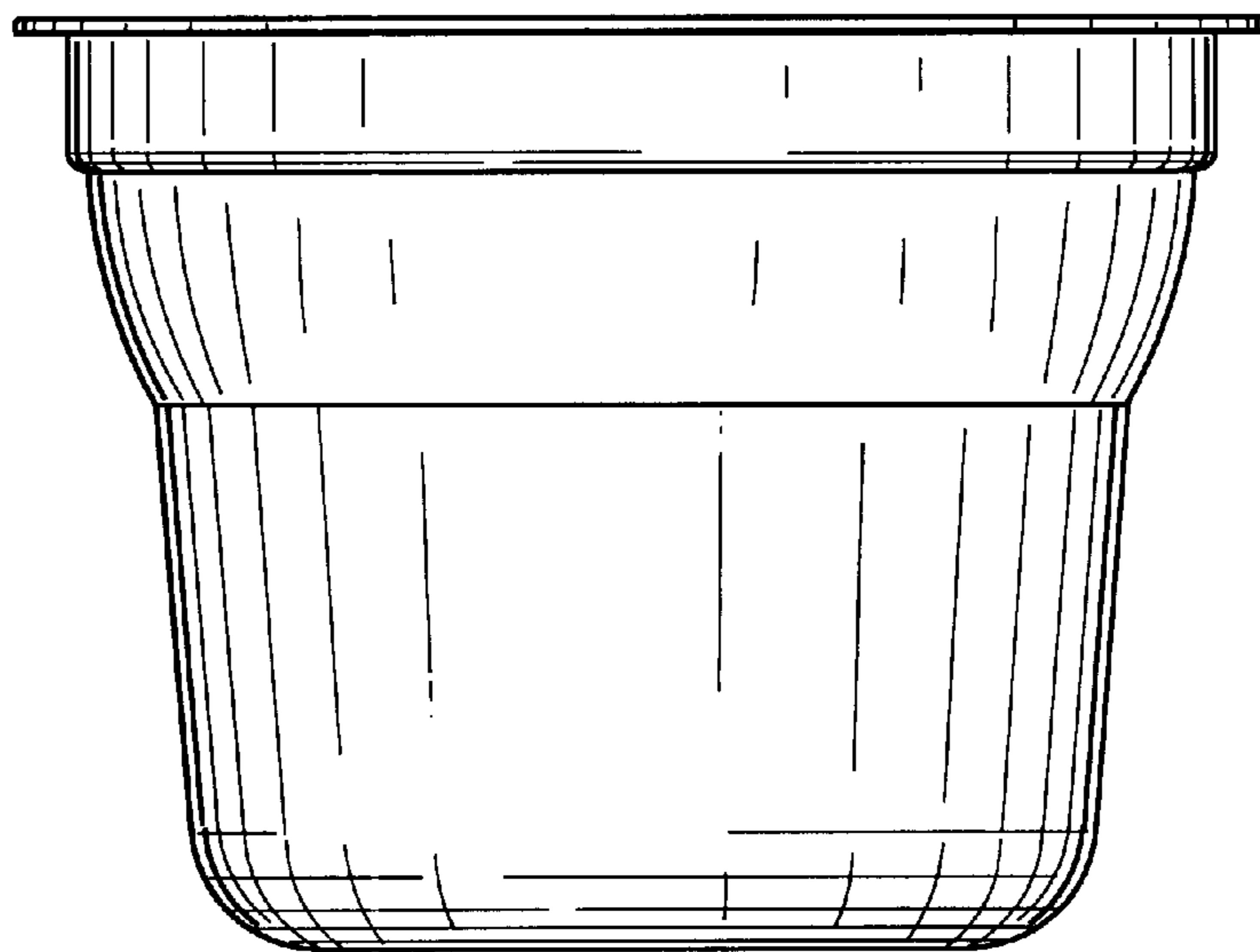


FIG. 3

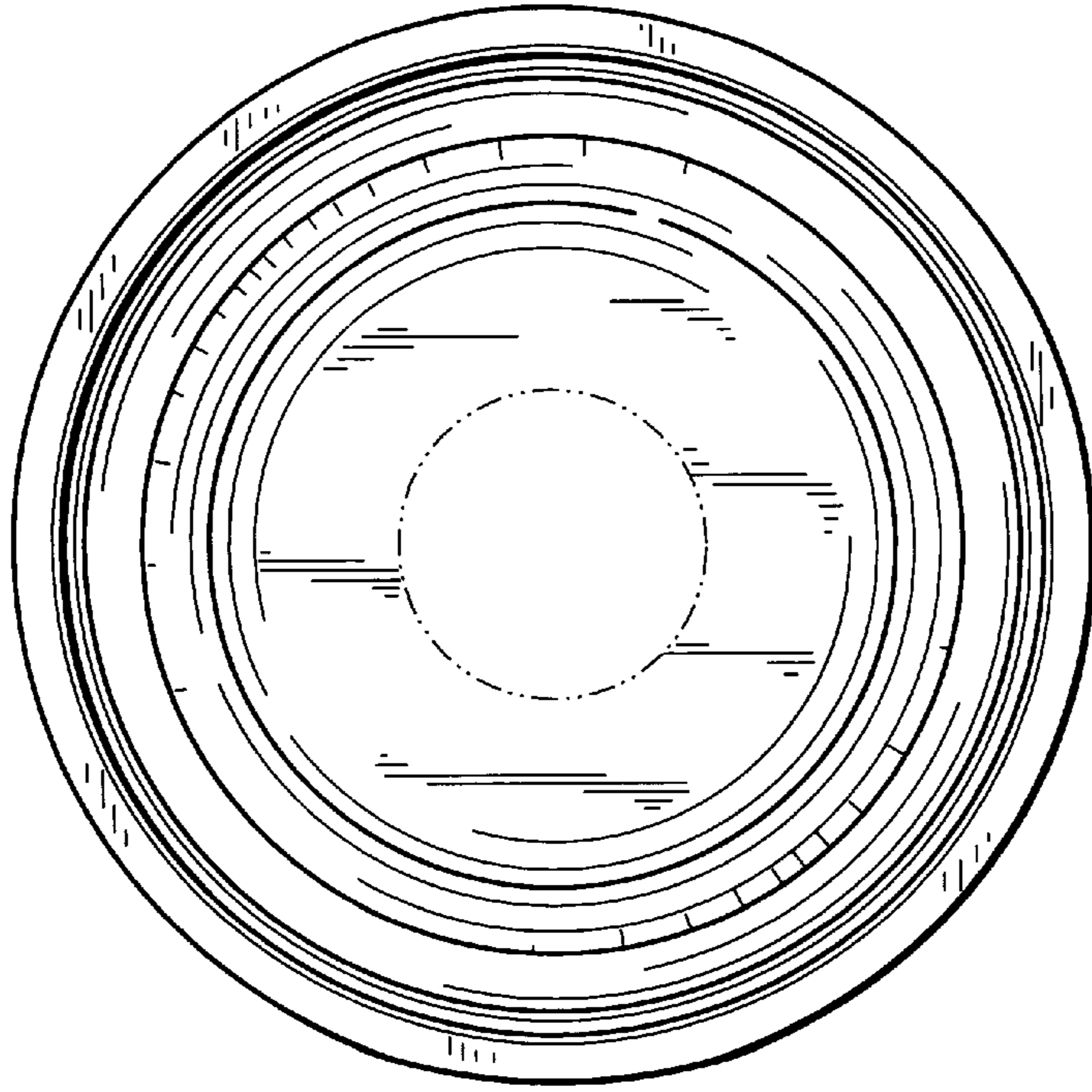


FIG. 4

