



US00D429144S

# United States Patent [19]

Papp et al.

[11] Patent Number: **Des. 429,144**

[45] Date of Patent: **\*\* Aug. 8, 2000**

[54] **HOOK**

928,717 7/1909 Vance ..... 248/304  
4,097,015 6/1978 Frishman ..... 248/339

[75] Inventors: **Christopher Papp**, Astoria; **Bruce E. Ancona**, New York, both of N.Y.

*Primary Examiner*—Holly Baynham  
*Attorney, Agent, or Firm*—Wolf, Greenfield & Sacks, P.C.

[73] Assignee: **Ekco Housewares, Inc.**, Franklin Park, Ill.

[57] **CLAIM**

[\*\*] Term: **14 Years**

The ornamental design for a hook, as shown and described.

[21] Appl. No.: **29/104,631**

[22] Filed: **May 10, 1999**

[51] **LOC (7) Cl.** ..... **08-08**

[52] **U.S. Cl.** ..... **D8/372**

[58] **Field of Search** ..... D8/367, 373, 372;  
248/301, 304, 339, 317

### DESCRIPTION

FIG. 1 is a bottom front perspective view of the hook;  
FIG. 2 is a bottom view thereof;  
FIG. 3 is a top view thereof;  
FIG. 4 is a front view thereof, the rear view thereof being a mirror image of the front view thereof;  
FIG. 5 is a bottom, perspective view thereof; and,  
FIG. 6 is a front view thereof.

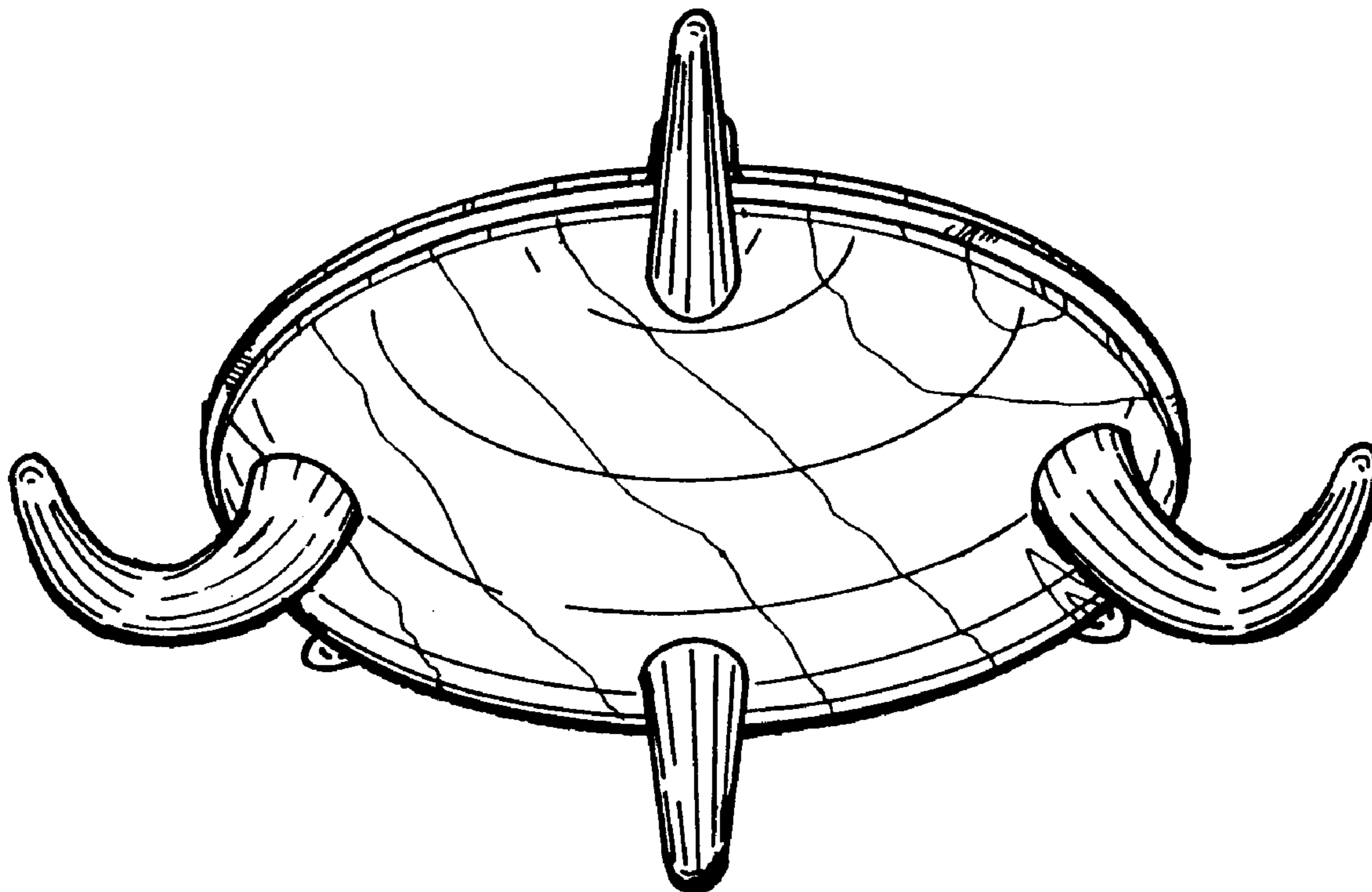
The broken line showing of hooks and mug are for illustrative purposes only and form no part of the claimed design. The undisclosed views of the second embodiment are identical to the appearance of the views shown in the first embodiment except for the presence of the three hooks.

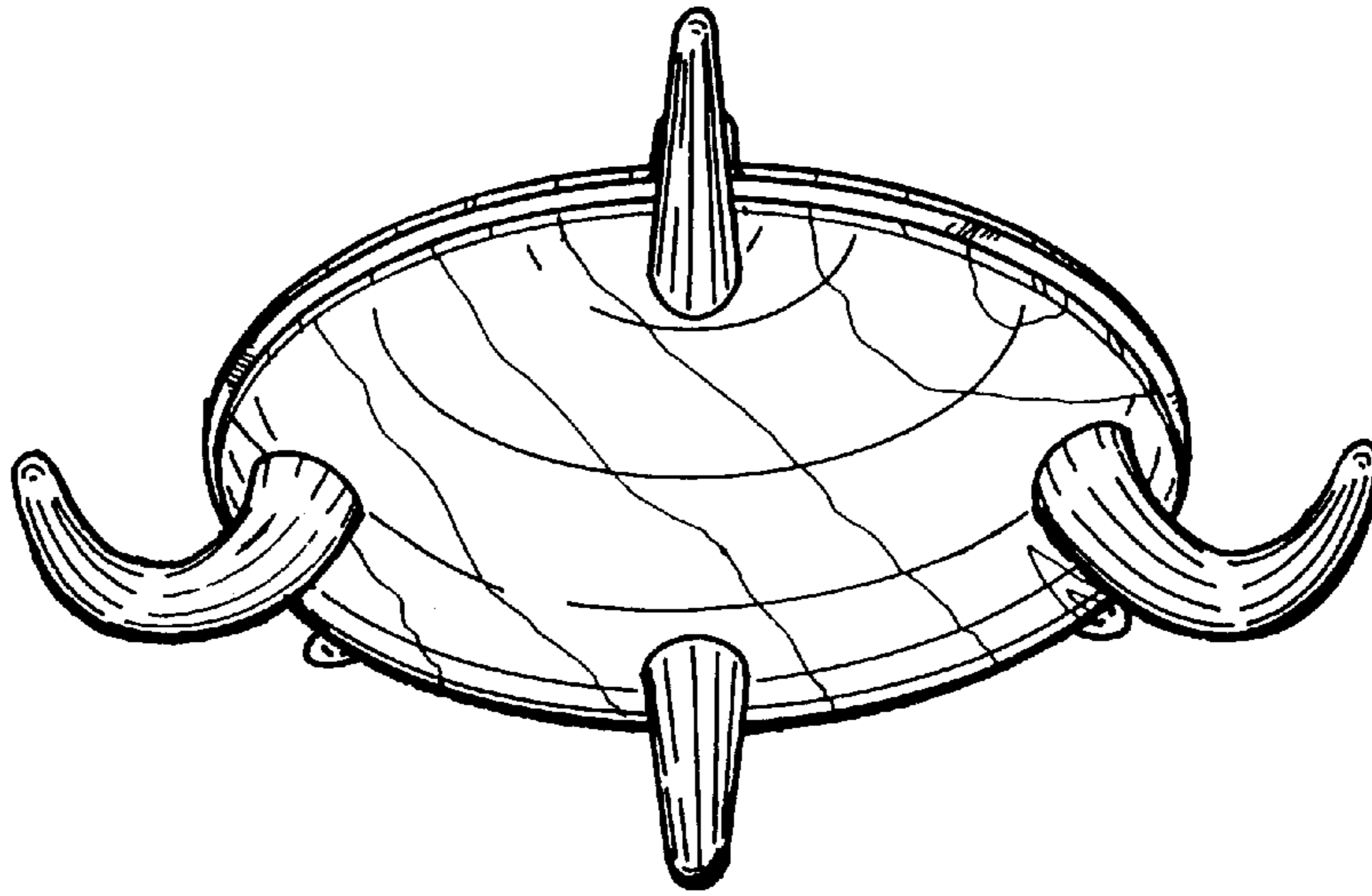
### [56] References Cited

#### U.S. PATENT DOCUMENTS

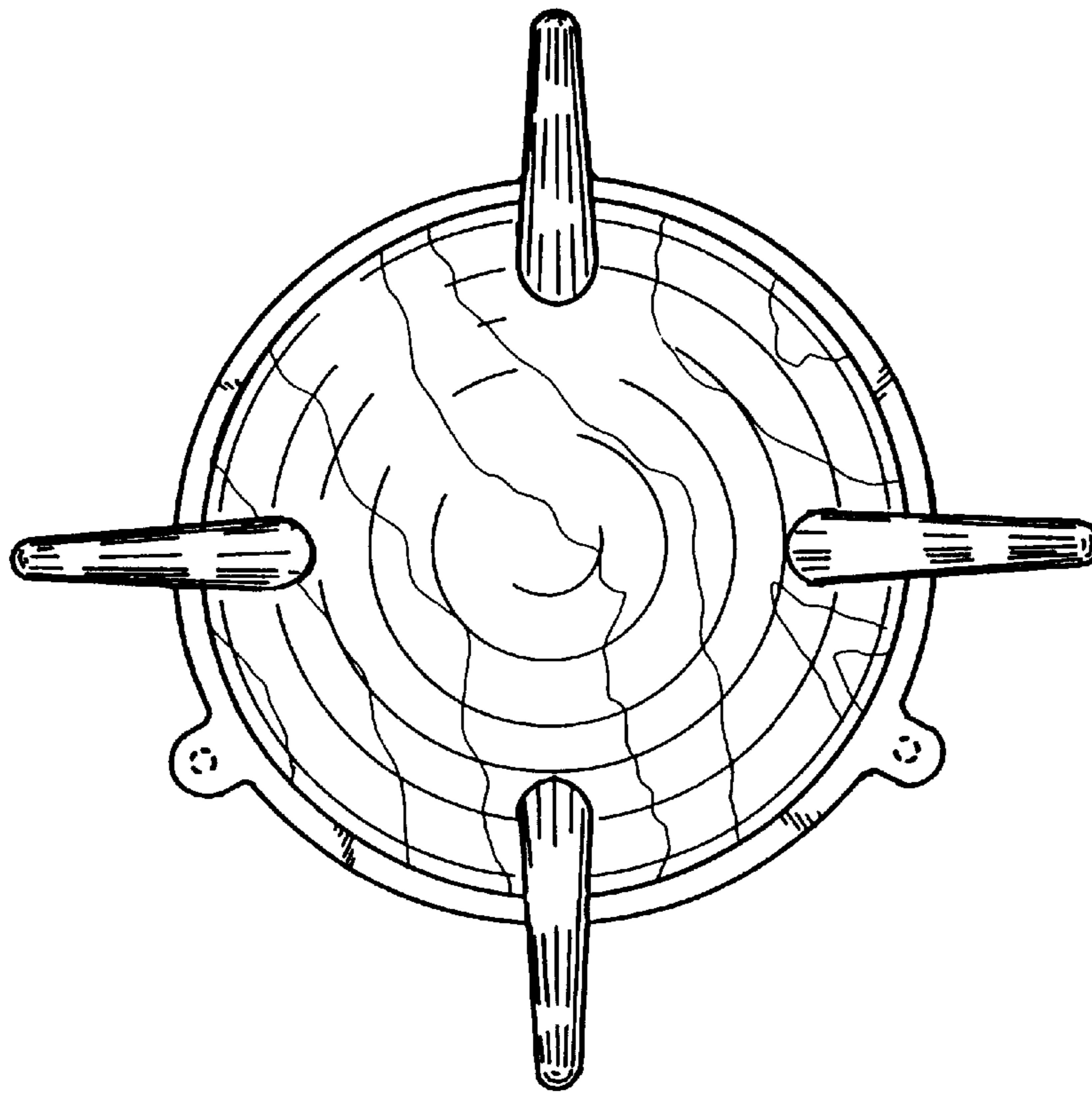
D. 354,429	1/1995	McNaughton et al. ....	D8/367
D. 389,399	1/1998	Bries et al. ....	D8/367
910,420	1/1909	Schlang .....	248/304

**1 Claim, 3 Drawing Sheets**

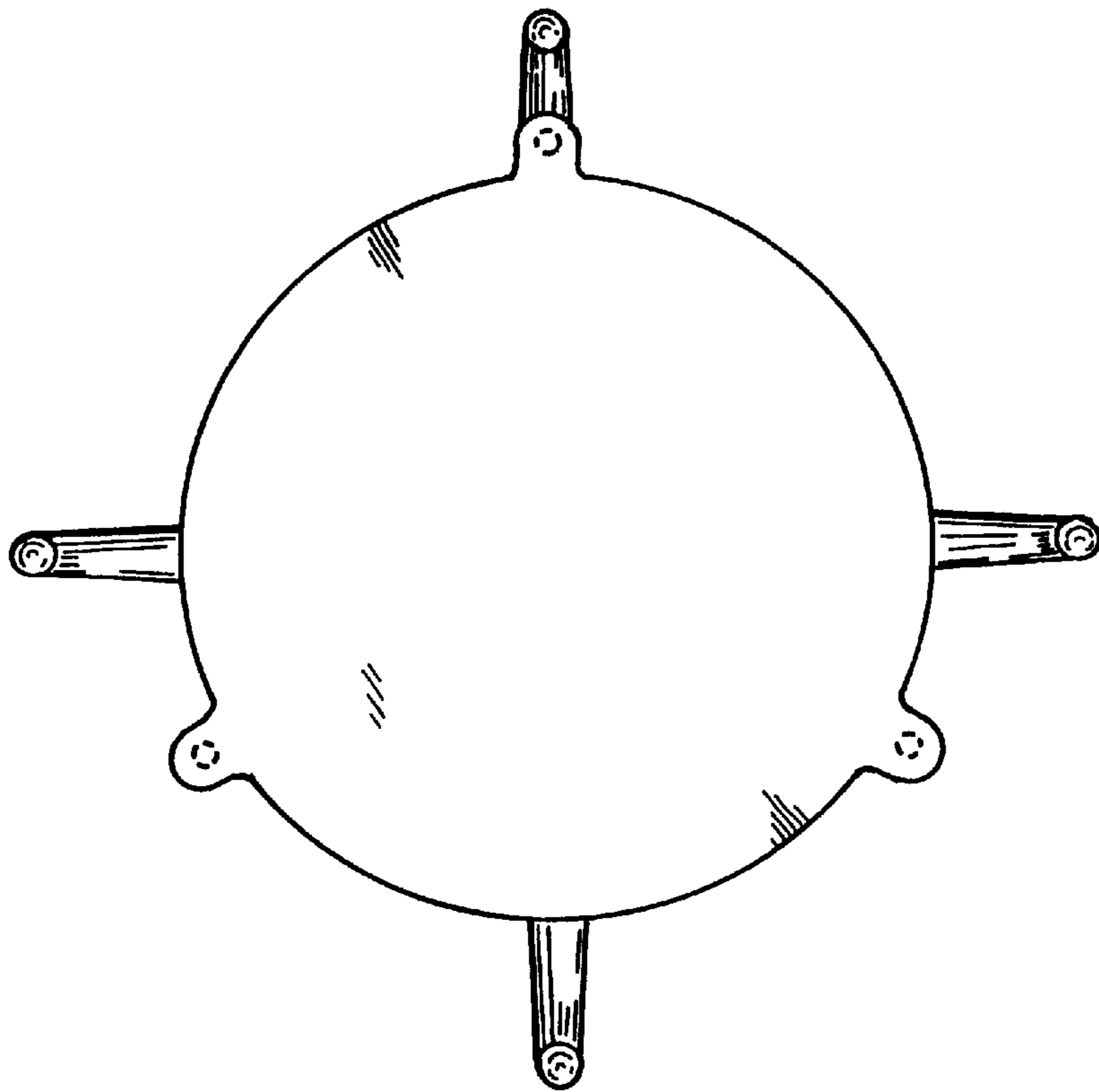




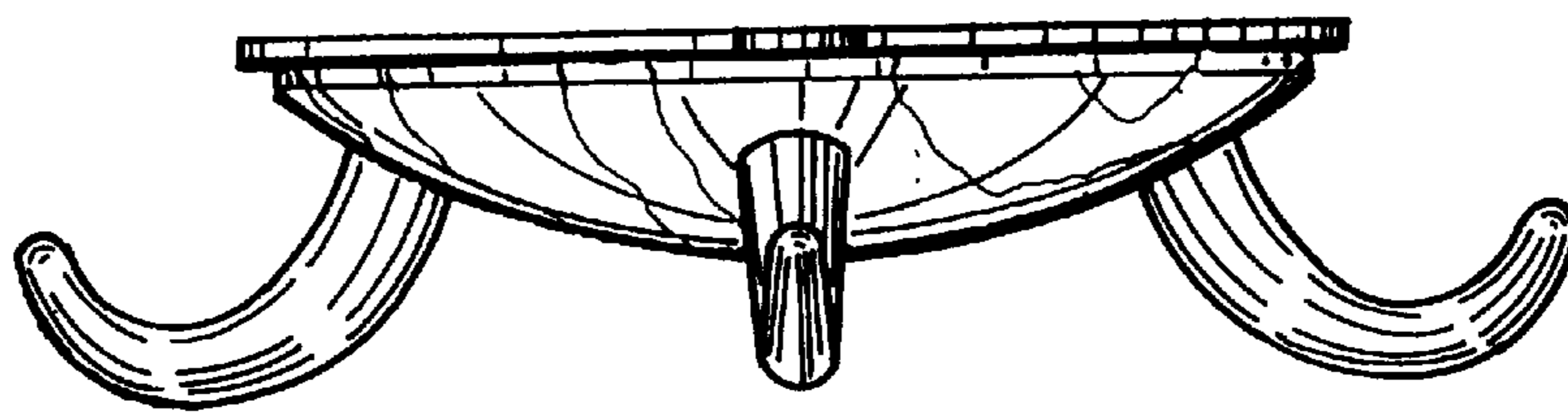
**Fig. 1**



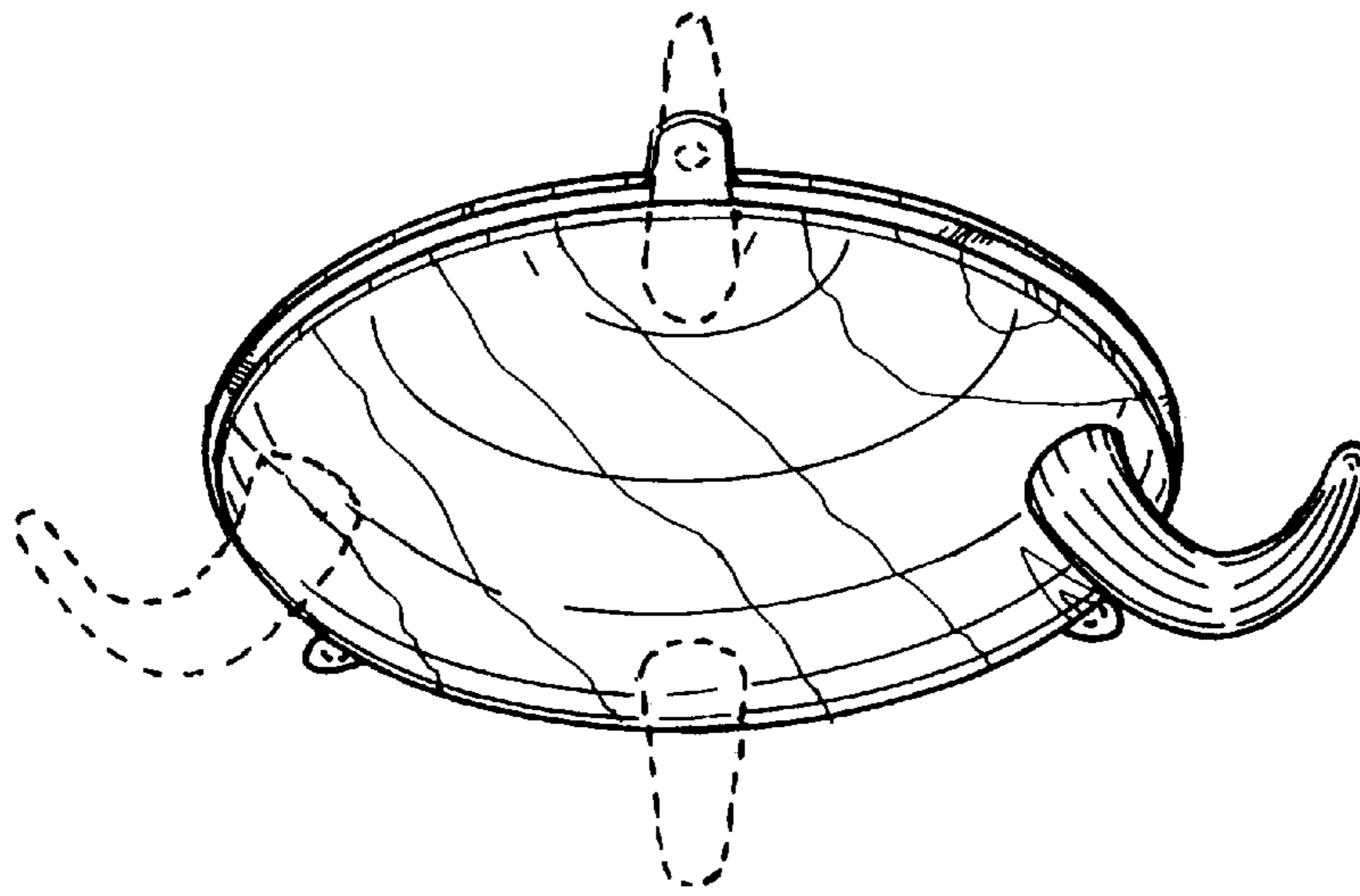
**Fig. 2**



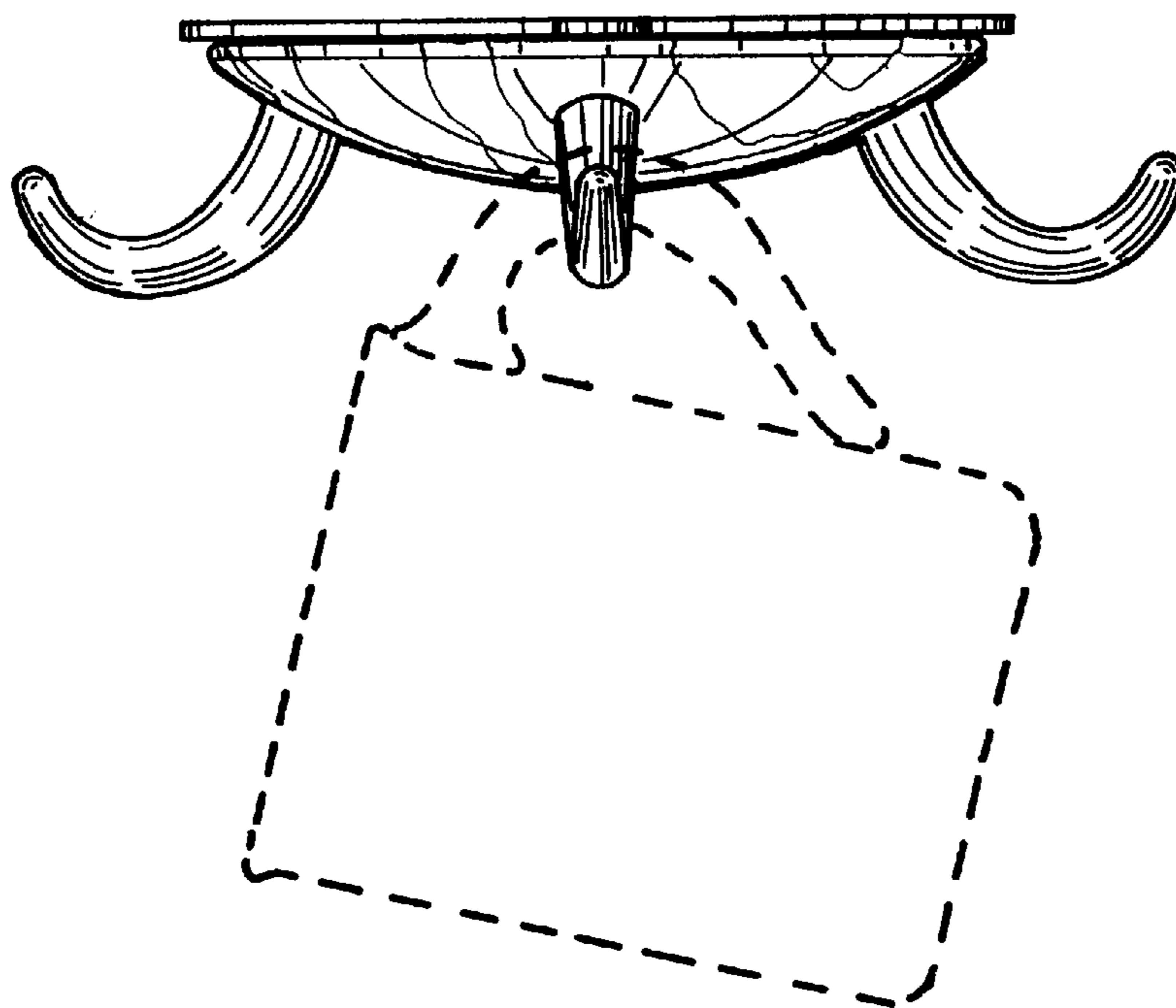
**Fig. 3**



**Fig. 4**



**Fig. 5**



**Fig. 6**