



US00D429137S

United States Patent [19]

[11] **Patent Number: Des. 429,137**

Eriksson et al.

[45] **Date of Patent: ** Aug. 8, 2000**

[54] **FOLDABLE SAW**

Attorney, Agent, or Firm—Burns, Doane, Swecker & Mathis, L.L.P.

[75] Inventors: **Eckhard Eriksson**, Obernau, Switzerland; **Staffan Lindberg**; **Staffan Garras**, both of Edsbyn, Sweden

[57] **CLAIM**

The ornamental design for a foldable saw, as shown and described.

[73] Assignee: **Sandvik AB**, Sandviken, Sweden

DESCRIPTION

[**] Term: **14 Years**

[21] Appl. No.: **29/103,930**

FIG. 1 is a left side elevational view of our new design, with a saw blade of the foldable saw in a folded condition, and with a sheath portion of the handle in an unfolded condition; FIG. 2 is a right side view of the saw shown in FIG. 1; FIG. 3 is a bottom view of FIG. 1 taken in the direction of arrow 3;

[22] Filed: **Apr. 26, 1999**

[51] **LOC (7) Cl.** **08-03**

[52] **U.S. Cl.** **D8/95**

[58] **Field of Search** D8/95, 96, 97, D8/98, 99, 107; 30/155, 166.3, 509, 514, 508

FIG. 4 is a top elevational view of FIG. 1 taken in the direction of arrow 4;

FIG. 5 is a front elevational view of FIG. 1 taken in the direction of arrow 5;

FIG. 6 is a rear elevational view of FIG. 1 taken in the direction of arrow 6;

FIG. 7 is a rear perspective view of FIG. 1;

FIG. 8 is a front perspective view of FIG. 1;

FIG. 9 is a view similar to FIG. 7 after the saw blade has been unfolded; and,

FIG. 10 is a view similar to FIG. 9 after the sheath portion of the handle has been swung to a folded condition.

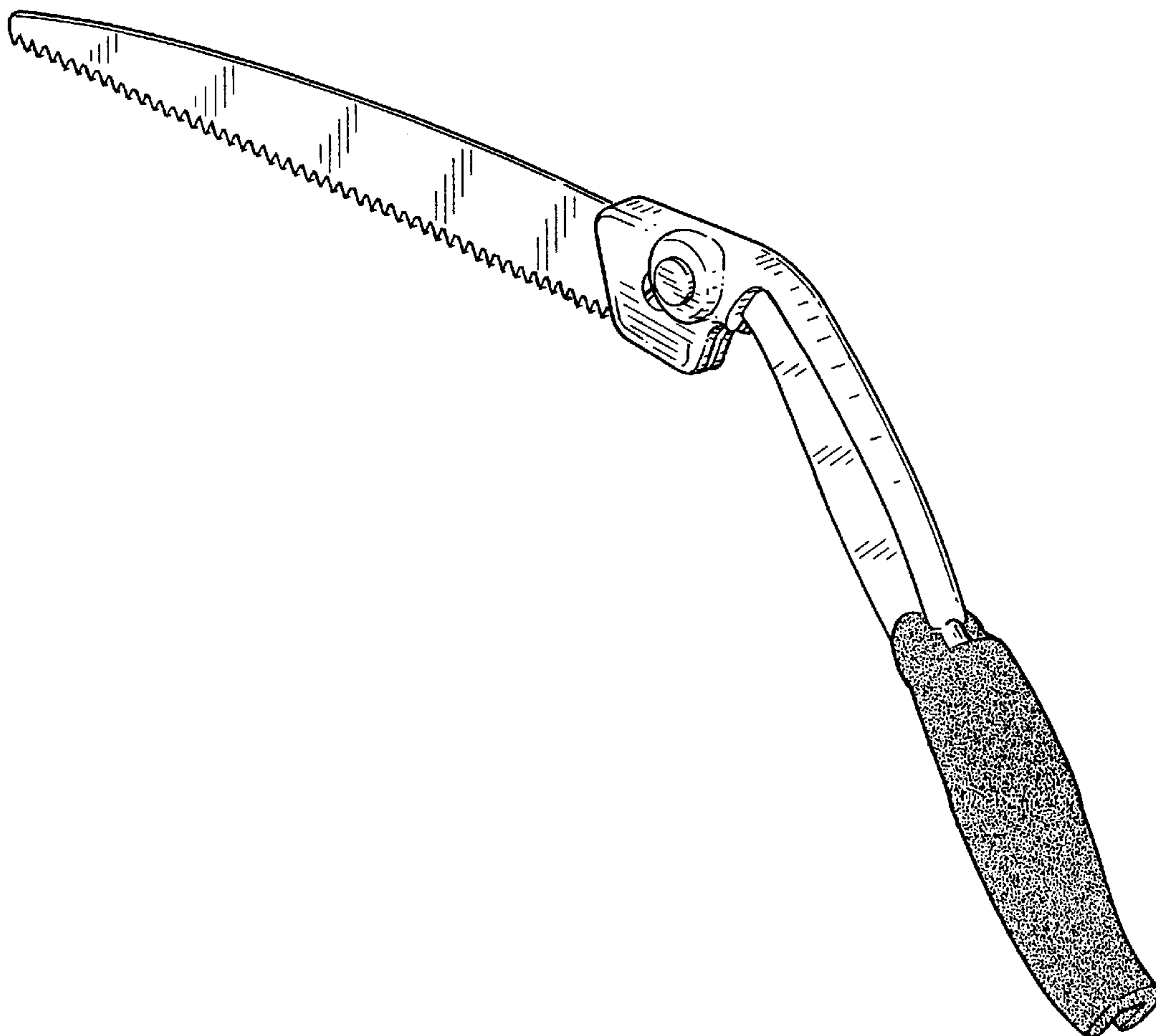
[56] **References Cited**

U.S. PATENT DOCUMENTS

D. 299,413	1/1989	DeCarolis	D8/97
D. 307,383	4/1990	Huang	D8/97
D. 307,702	5/1990	Hsu	D8/97
D. 357,166	4/1995	Concari	D8/97
D. 397,281	8/1998	Hsu et al.	D8/95

1 Claim, 4 Drawing Sheets

Primary Examiner—Philip S. Hyder



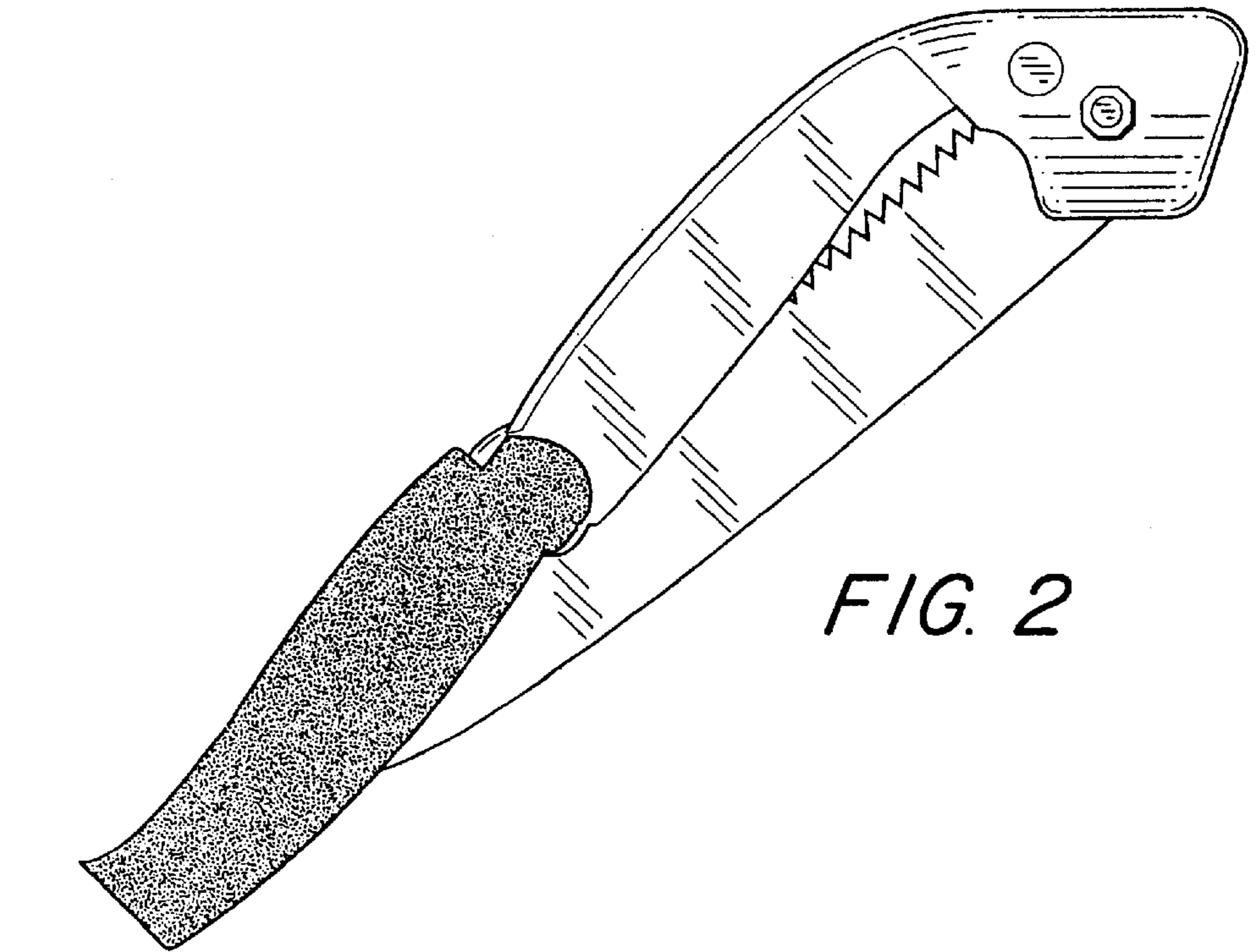
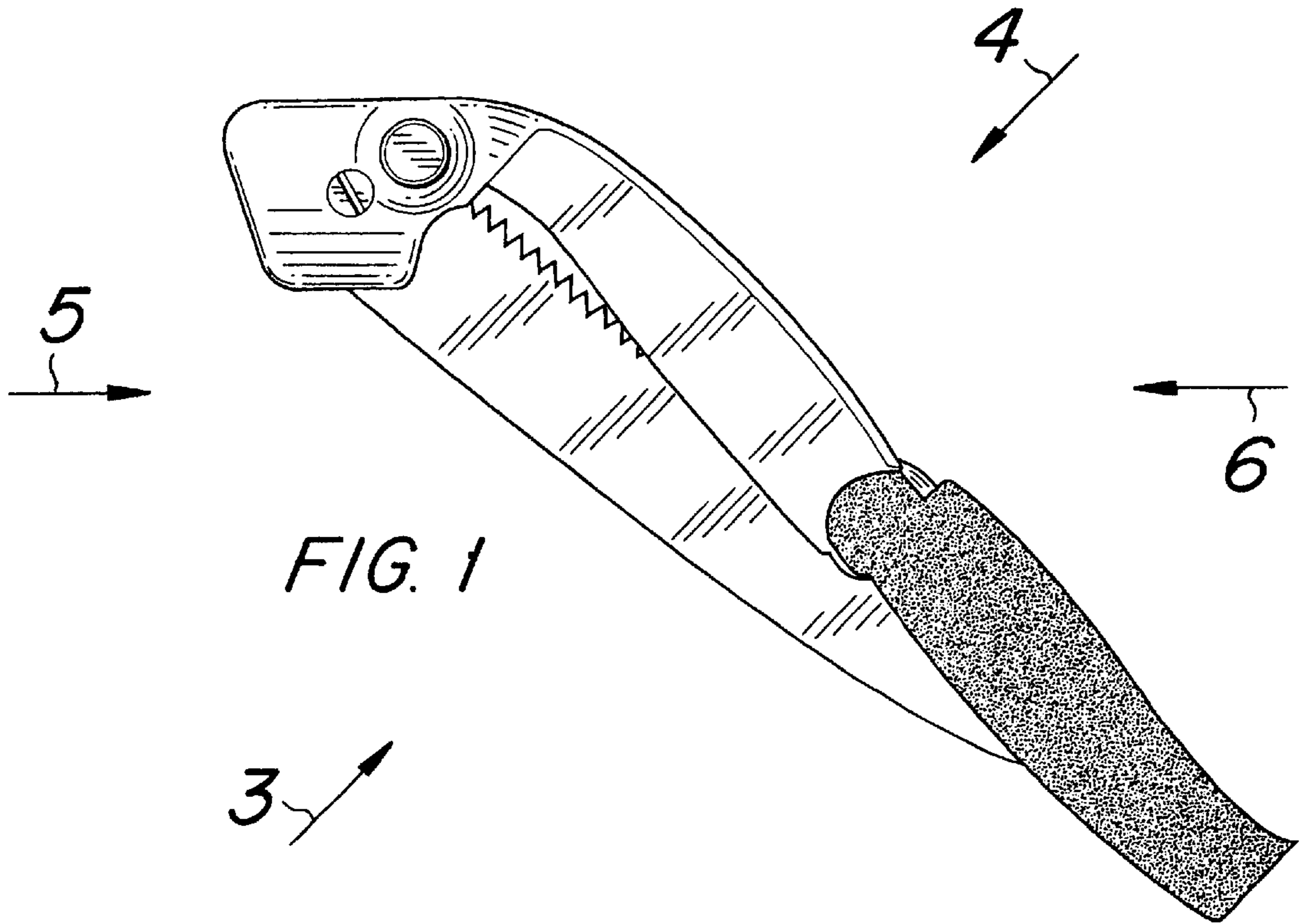


FIG. 3

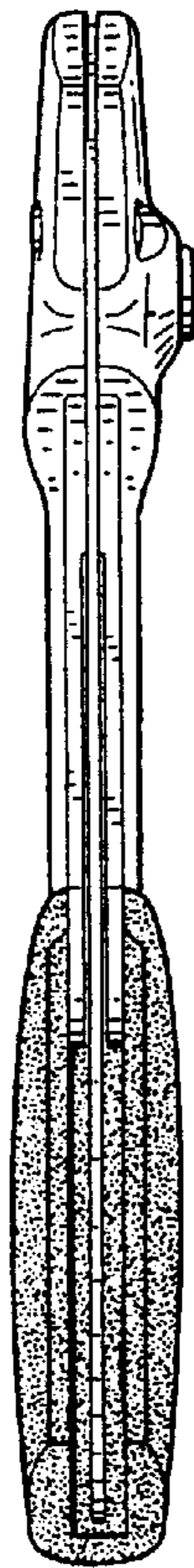


FIG. 4

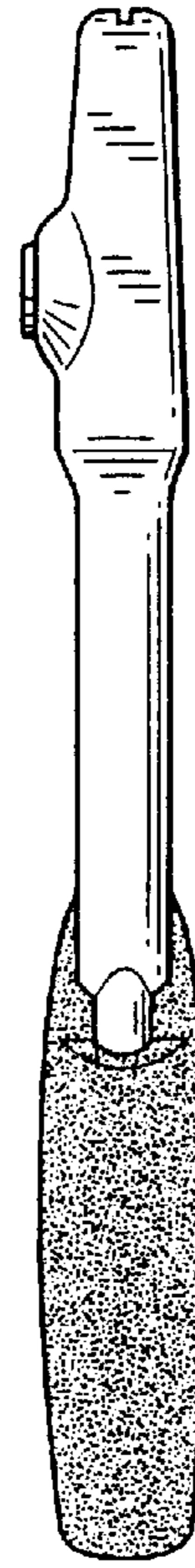


FIG. 5

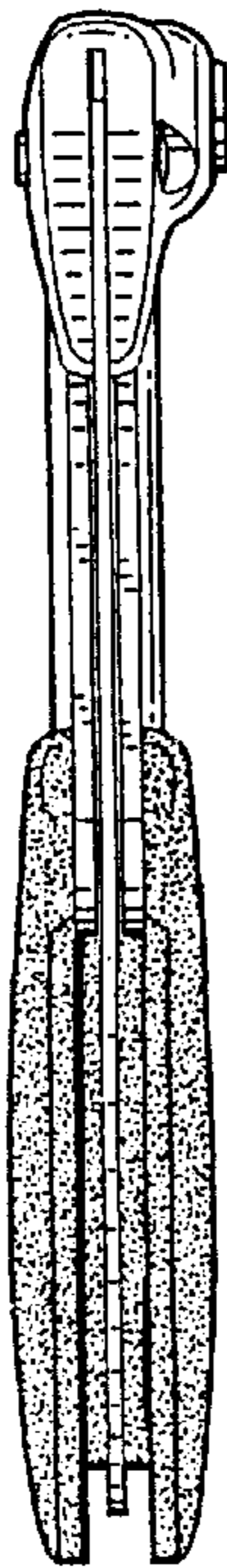
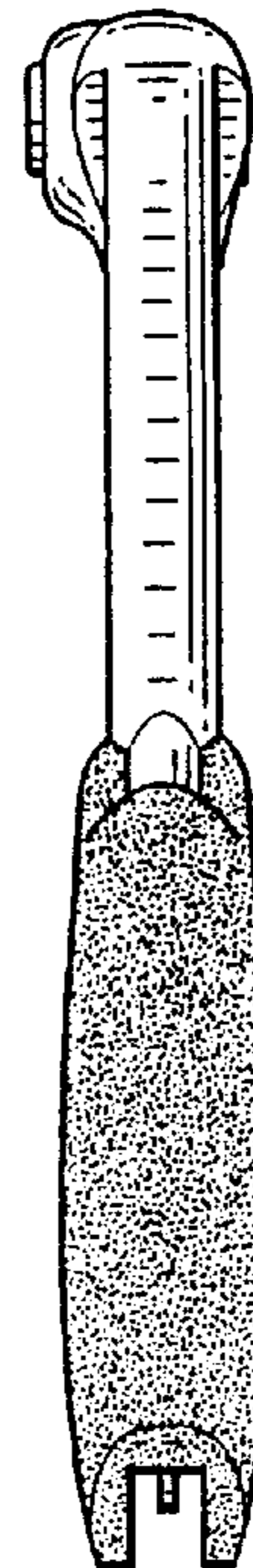


FIG. 6



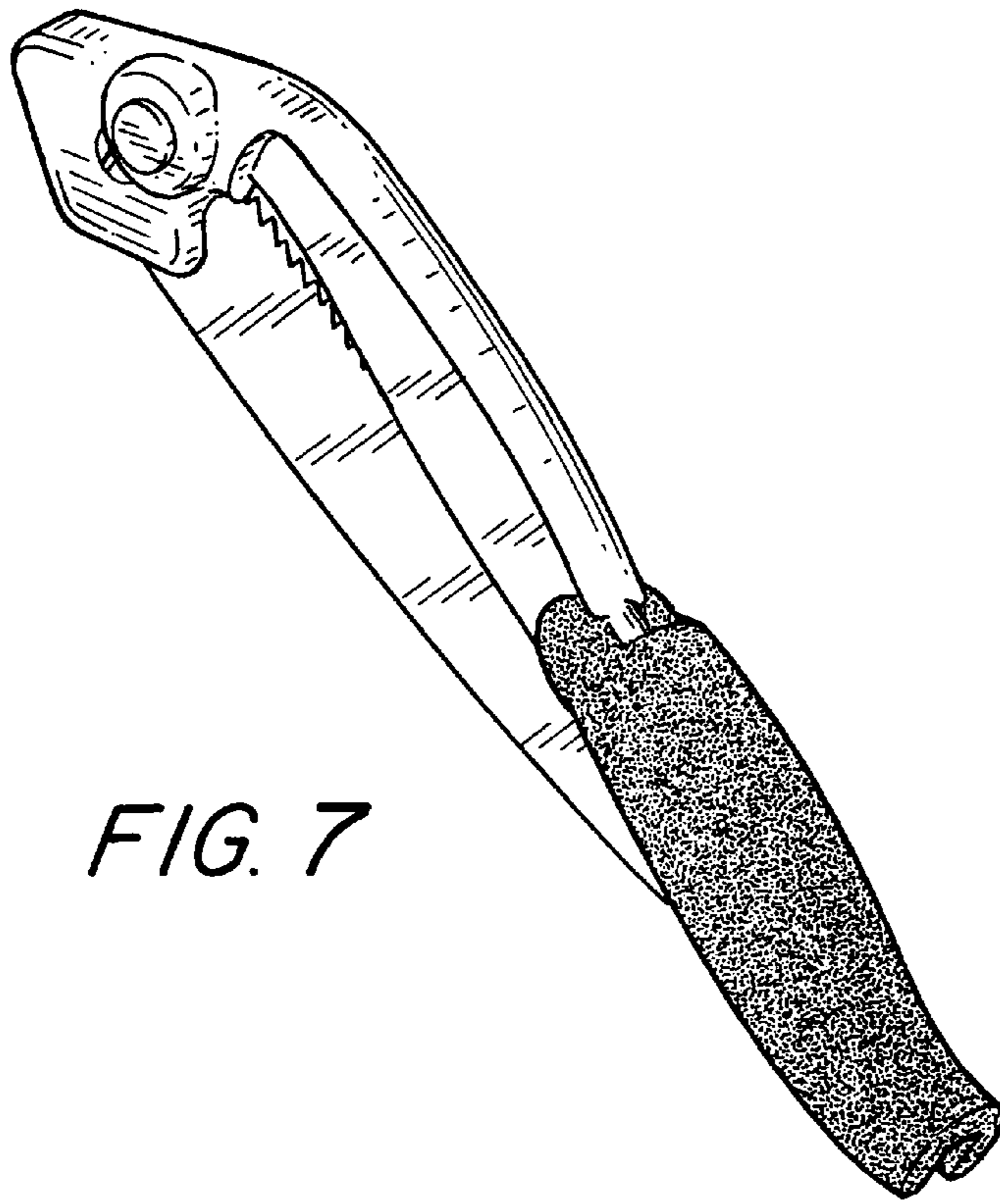


FIG. 7

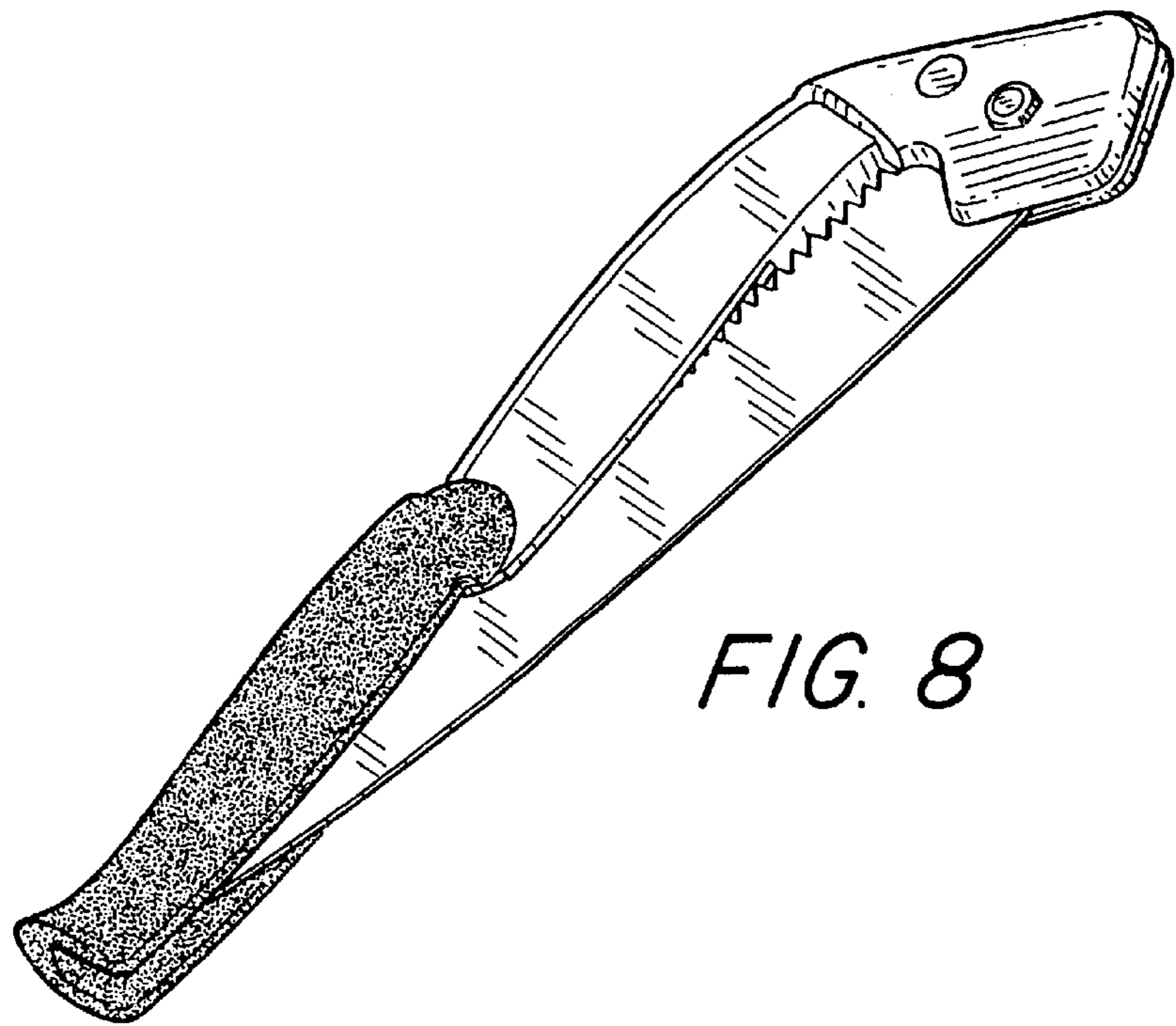


FIG. 8

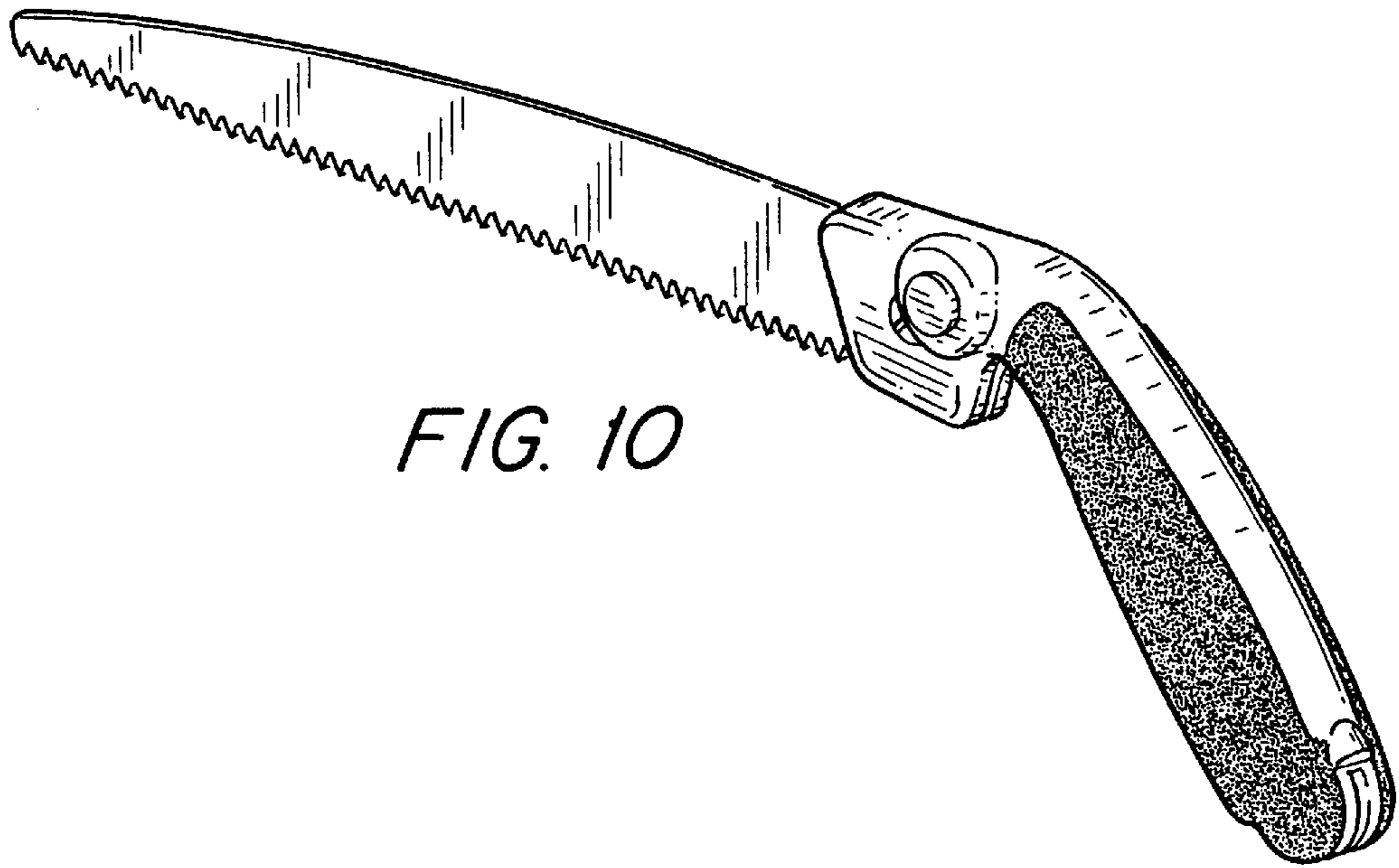


FIG. 10

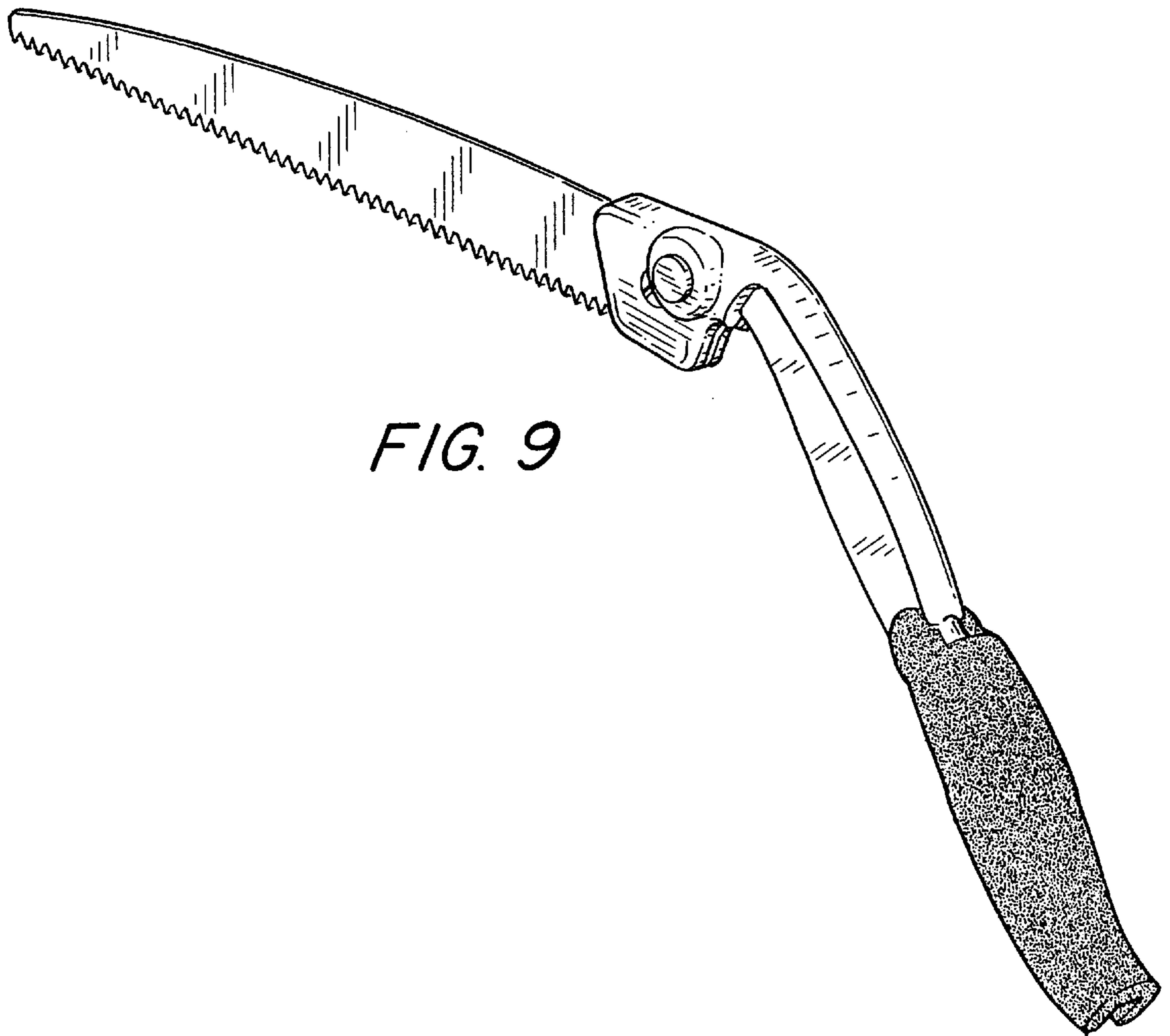


FIG. 9