



US00D429134S

United States Patent [19]
Schultz et al.

[11] **Patent Number: Des. 429,134**
[45] **Date of Patent: ** Aug. 8, 2000**

[54] **POWERED HAND-HELD DRILL DRIVER**

[75] Inventors: **William H. Schultz**, Northbrook; **Bill Webb**, Chicago; **Jim Caruso**, Evanston, all of Ill.; **Drew Tosh**, Arlington, Mass.

[73] Assignee: **S-B Power Tool Company**, Chicago, Ill.

[**] Term: **14 Years**

[21] Appl. No.: **29/109,514**

[22] Filed: **Aug. 13, 1999**

[51] **LOC (7) Cl.** **08-05**

[52] **U.S. Cl.** **D8/68; D8/61**

[58] **Field of Search** D8/61, 62, 68, D8/69, 700, 107, DIG. 7; 81/54, 55, 57.11, 57.13, 57.14, 57.29, 177.1, 177.85, 436, 438, 439, 409, 474, 900, 901; 173/13, 19, 170, 171, 213, 217

[56] **References Cited**

U.S. PATENT DOCUMENTS

D. 326,400 5/1992 Fushiya et al. D8/68

D. 368,214	3/1996	Zurwelle	D8/68
D. 378,268	3/1997	Schultz	D8/68
D. 396,177	7/1998	Schultz	D8/68
D. 409,467	5/1999	Chung	D8/68
4,803,904	2/1989	Stanich et al.	81/54
5,094,133	3/1992	Schreiber	81/474
5,230,261	7/1993	Akazawa et al.	81/54

Primary Examiner—Martie K. Holtje
Attorney, Agent, or Firm—Leo H McCormick, Jr.; Warren Comstock

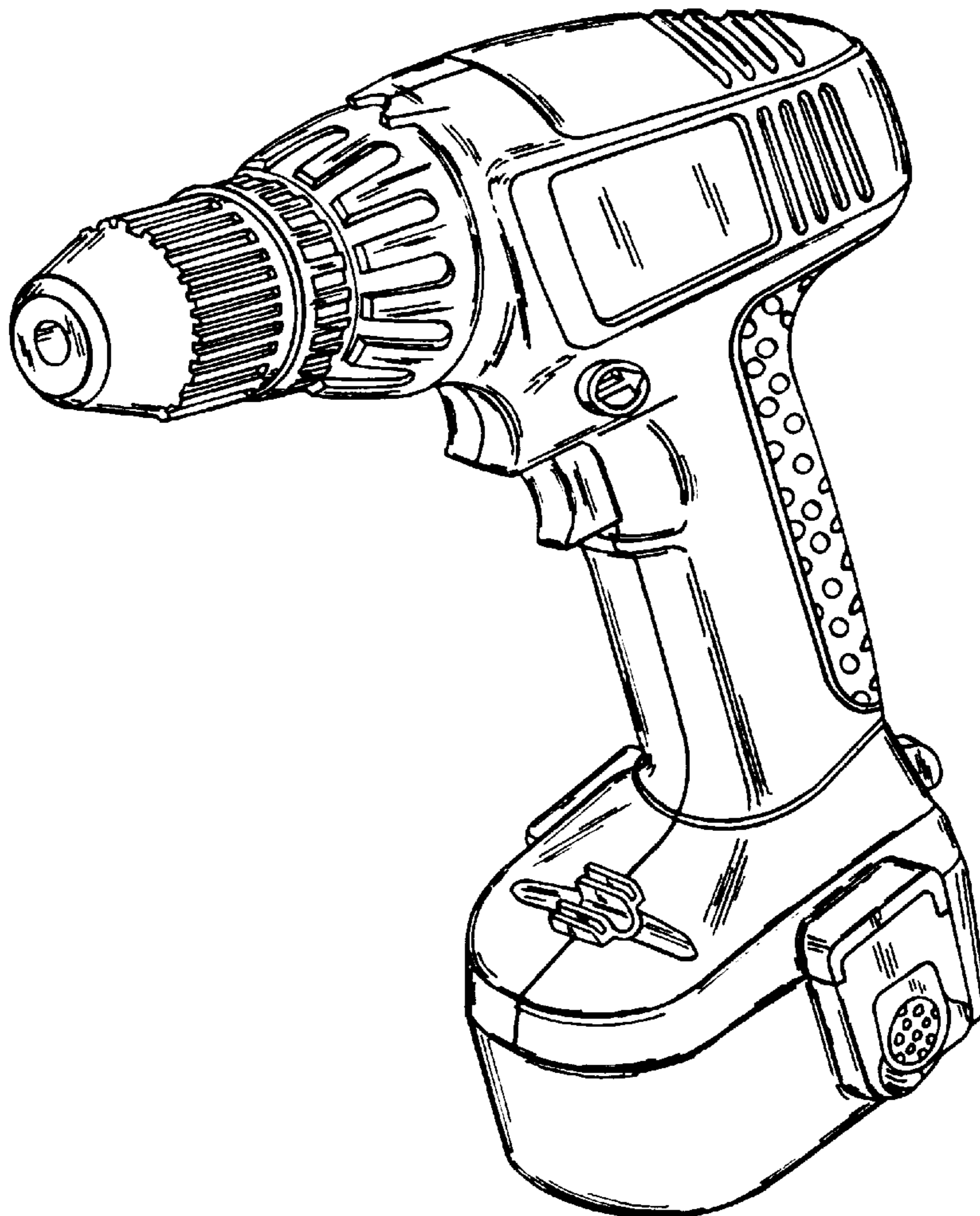
[57] **CLAIM**

The ornamental design for a powered hand-held drill driver, as shown and described.

DESCRIPTION

FIG. 1 is a right front perspective view of a powered hand-held drill driver showing our new design; FIG. 2 is a top plan view thereof; FIG. 3 is a right plan elevation view thereof; FIG. 4 is a front plan elevation view thereof; FIG. 5 is a rear plan elevation view thereof; FIG. 6 is a left plan elevation view thereof; and, FIG. 7 is a bottom plan view thereof.

1 Claim, 3 Drawing Sheets



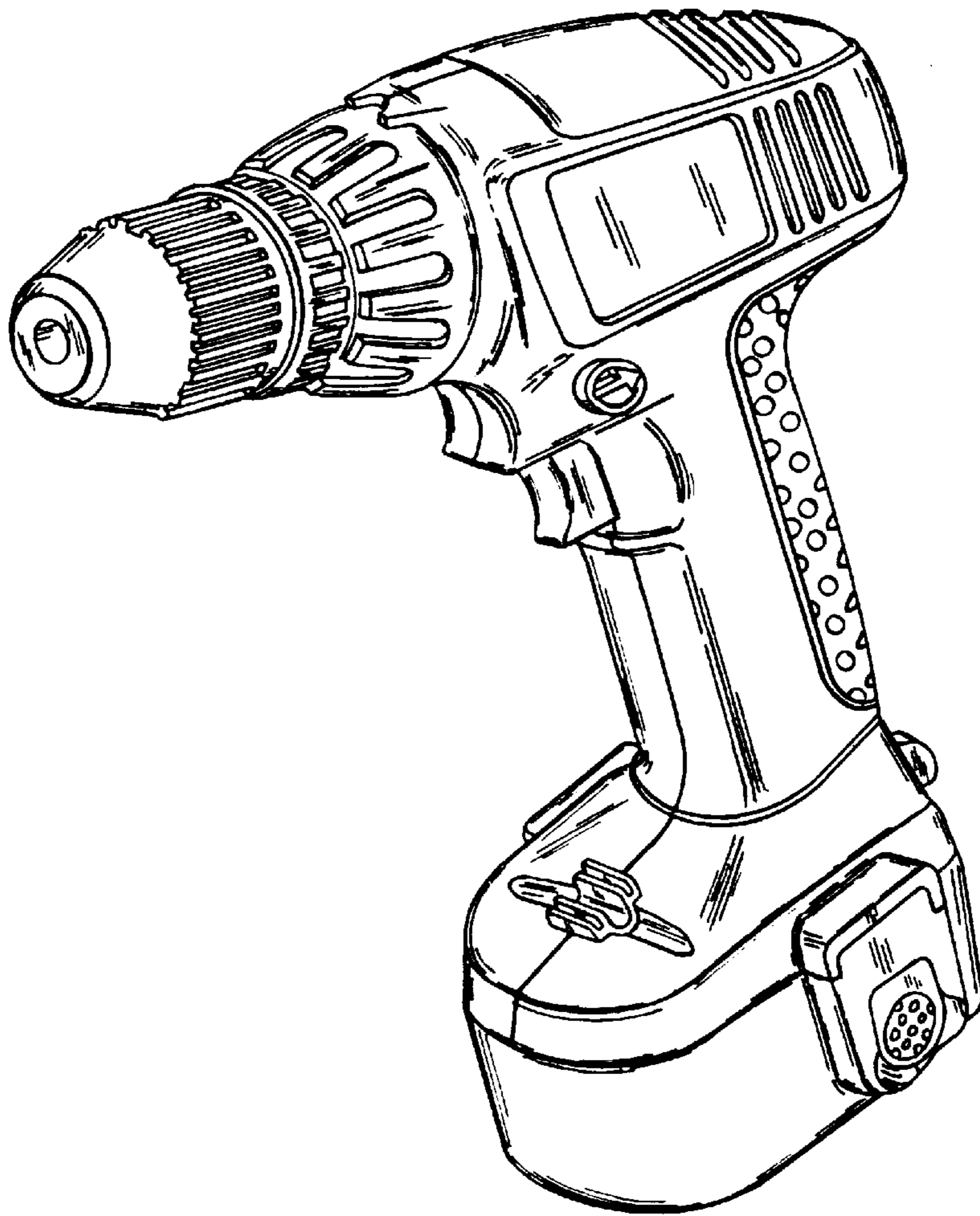


FIG. 1

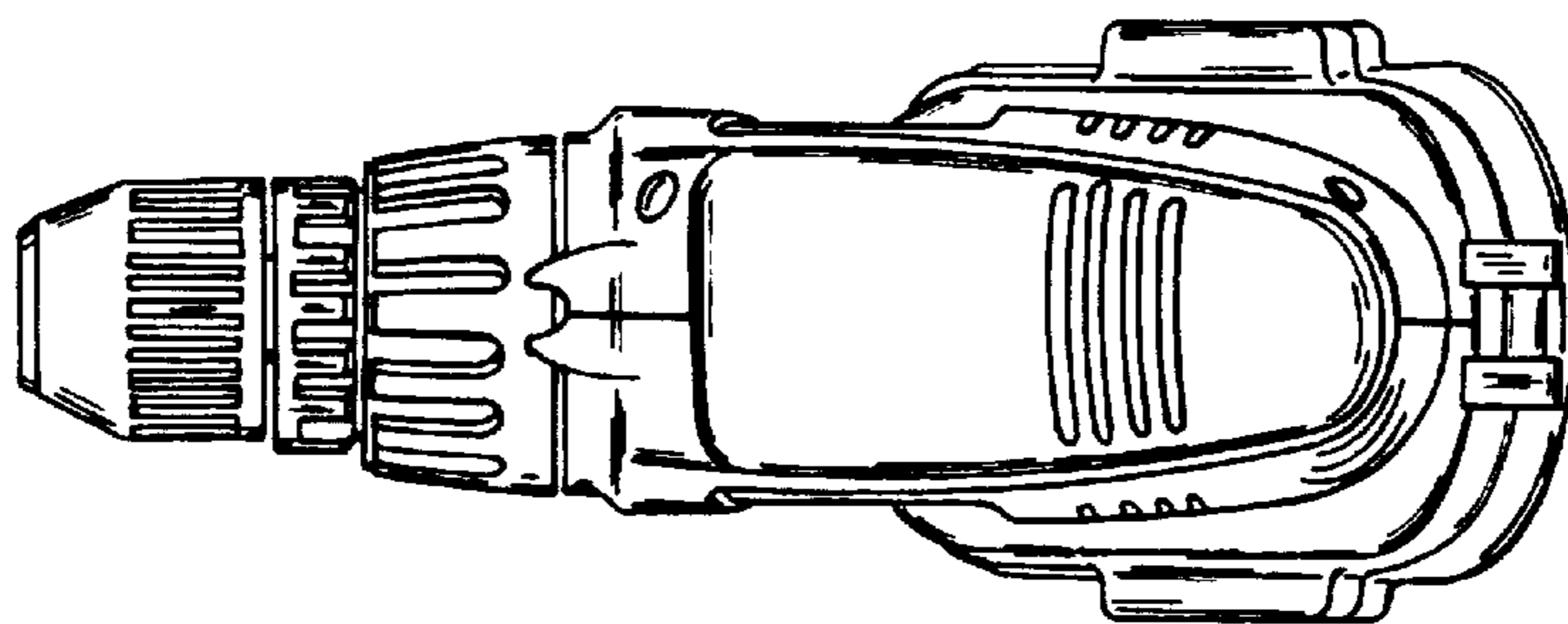


FIG. 2

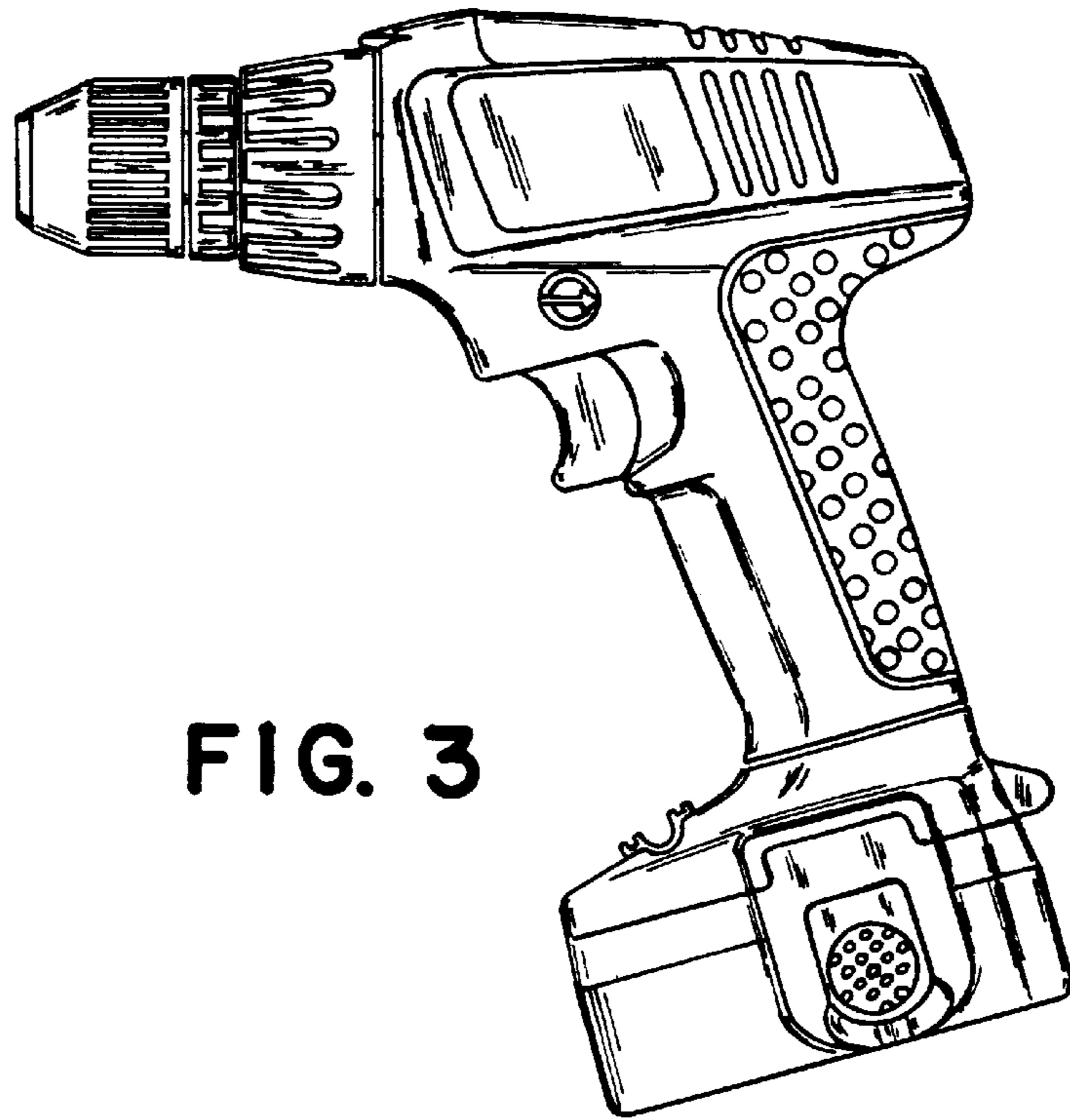


FIG. 3

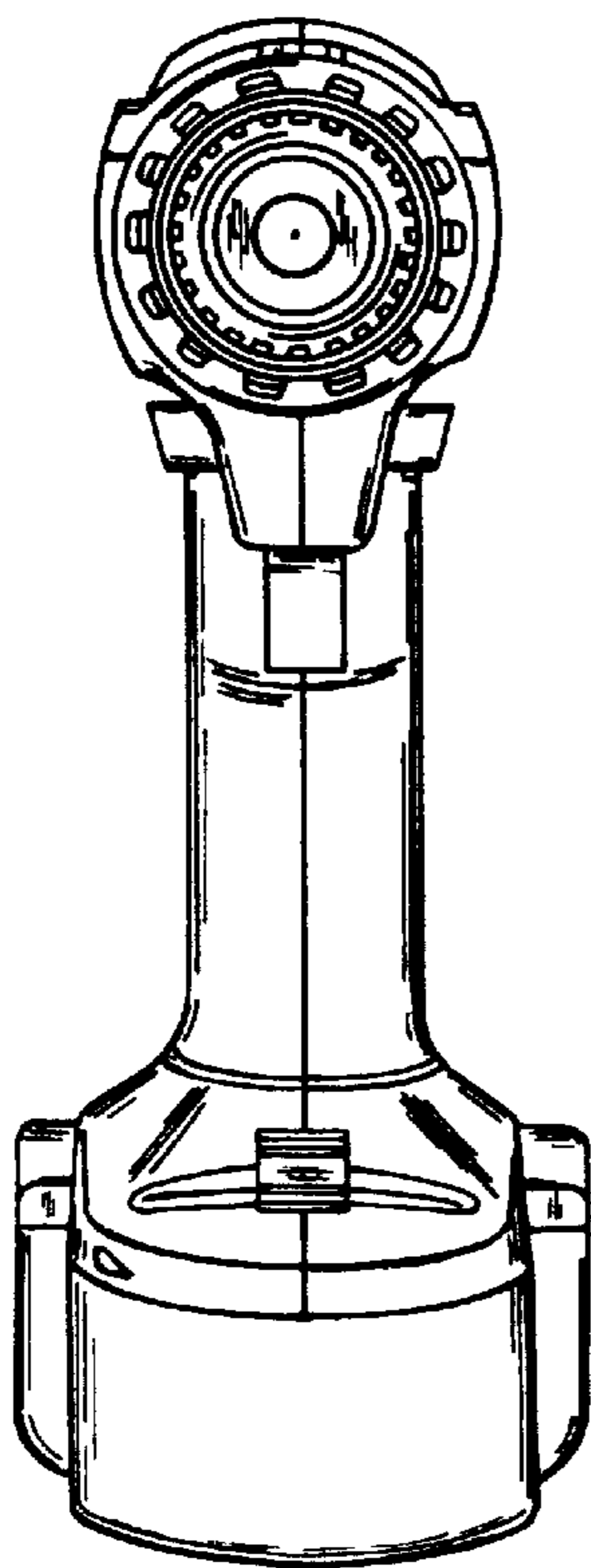


FIG. 4

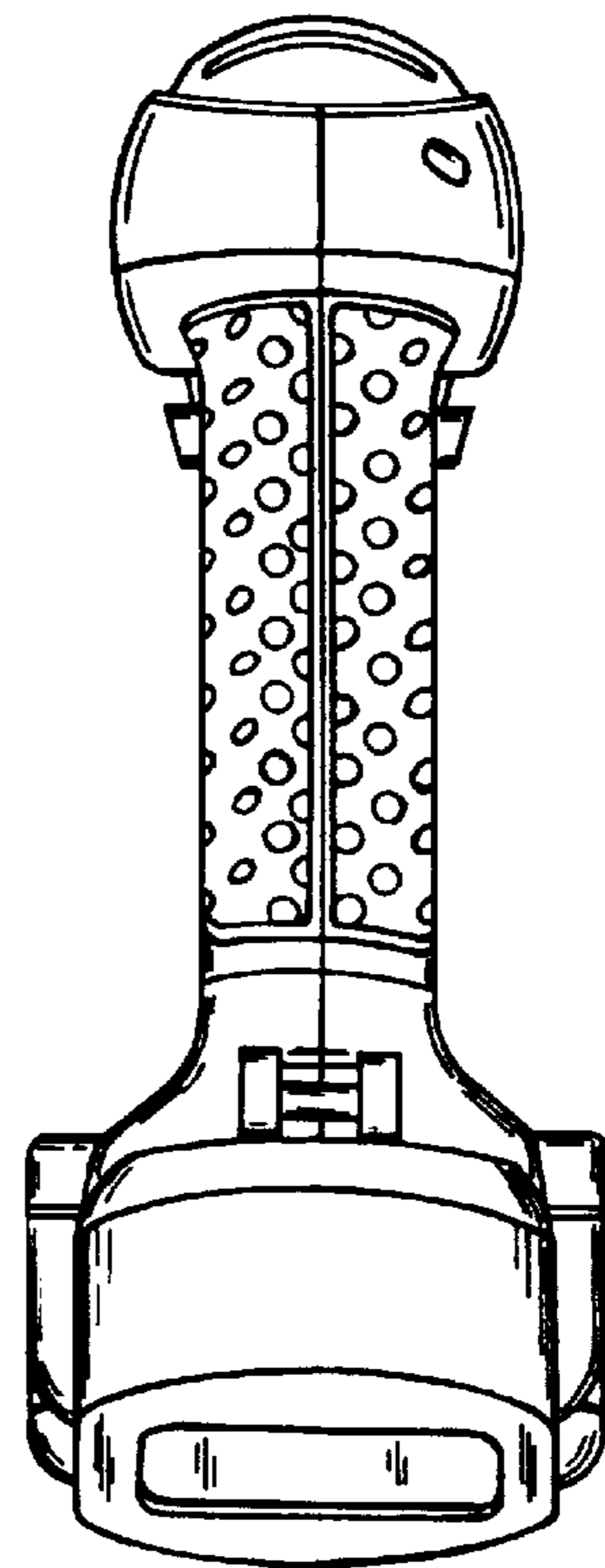


FIG. 5

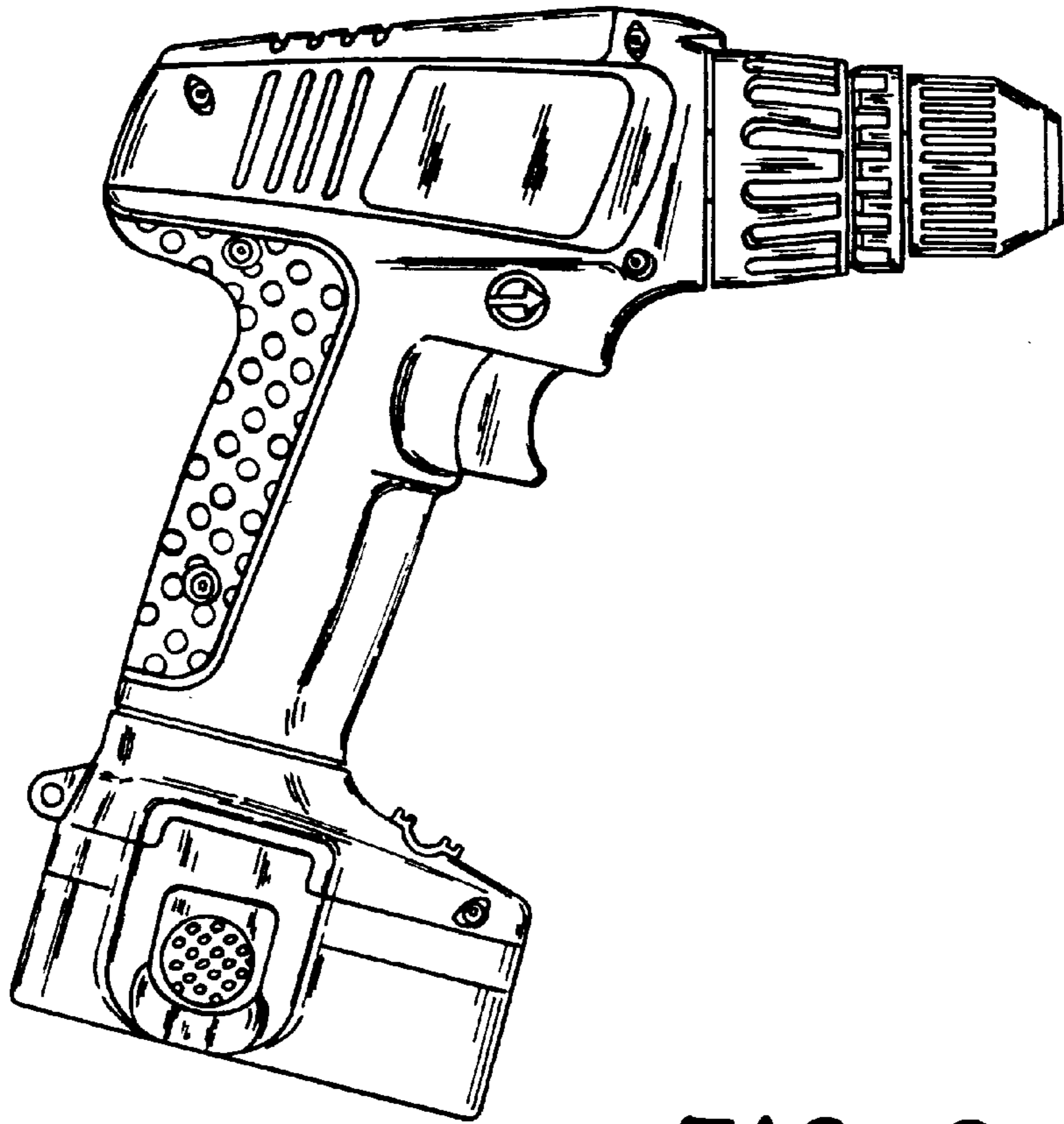


FIG. 6

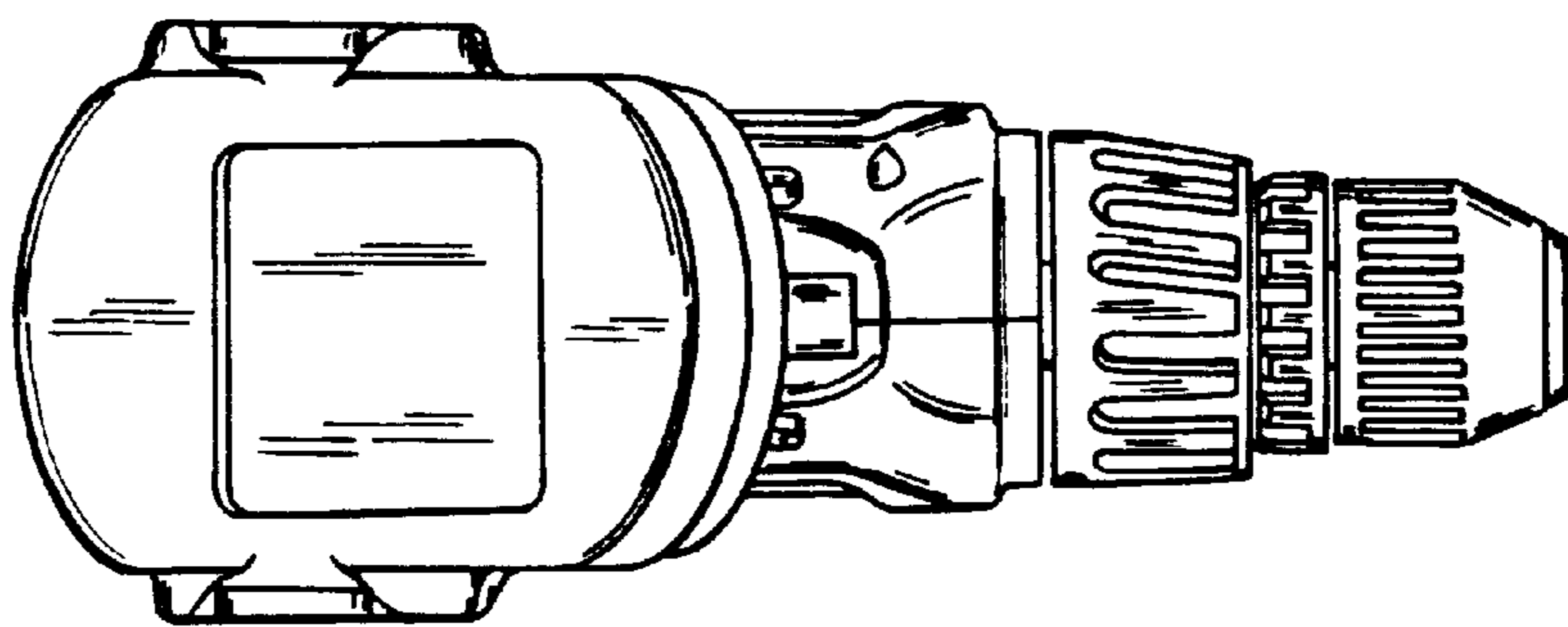


FIG. 7