



US00D429133S

United States Patent [19] Lui

[11] **Patent Number: Des. 429,133**

[45] **Date of Patent: ** Aug. 8, 2000**

[54] **ELECTRIC SAW**

[75] **Inventor: Tat Nin Lui**, Aberdeen, The Hong Kong Special Administrative Region of the People's Republic of China

[73] **Assignee: Choon Nang Electrical Appliance MFY.**, Aberdeen, The Hong Kong Special Administrative Region of the People's Republic of China

[**] **Term: 14 Years**

[21] **Appl. No.: 29/110,425**

[22] **Filed: Sep. 8, 1999**

[30] Foreign Application Priority Data

Apr. 19, 1999 [GB] United Kingdom 2082766

[51] **LOC (7) Cl. 08-03**

[52] **U.S. Cl. D8/66**

[58] **Field of Search** D8/61, 64, 65, D8/66, 67, 69, 70; 30/388, 389, 390, 391; 83/574, 663, 666, 863, 701, 523, 544, 545; 310/40 R, 50

[56] References Cited

U.S. PATENT DOCUMENTS

D. 315,854 4/1991 Kawakami et al. D8/66

D. 378,488	3/1997	Ito et al.	D8/66
D. 401,827	12/1998	Lui	D8/66
D. 411,425	6/1999	Sugimoto et al.	D8/66
D. 416,181	11/1999	Chung	D8/66
D. 418,032	12/1999	Watson et al.	D8/66
3,733,701	5/1973	Lubas	30/391
5,235,753	8/1993	Stumpf	30/391
5,832,614	11/1998	Gallagher et al.	30/391

Primary Examiner—Martie K. Holtje
Attorney, Agent, or Firm—Leydig, Voit & Mayer

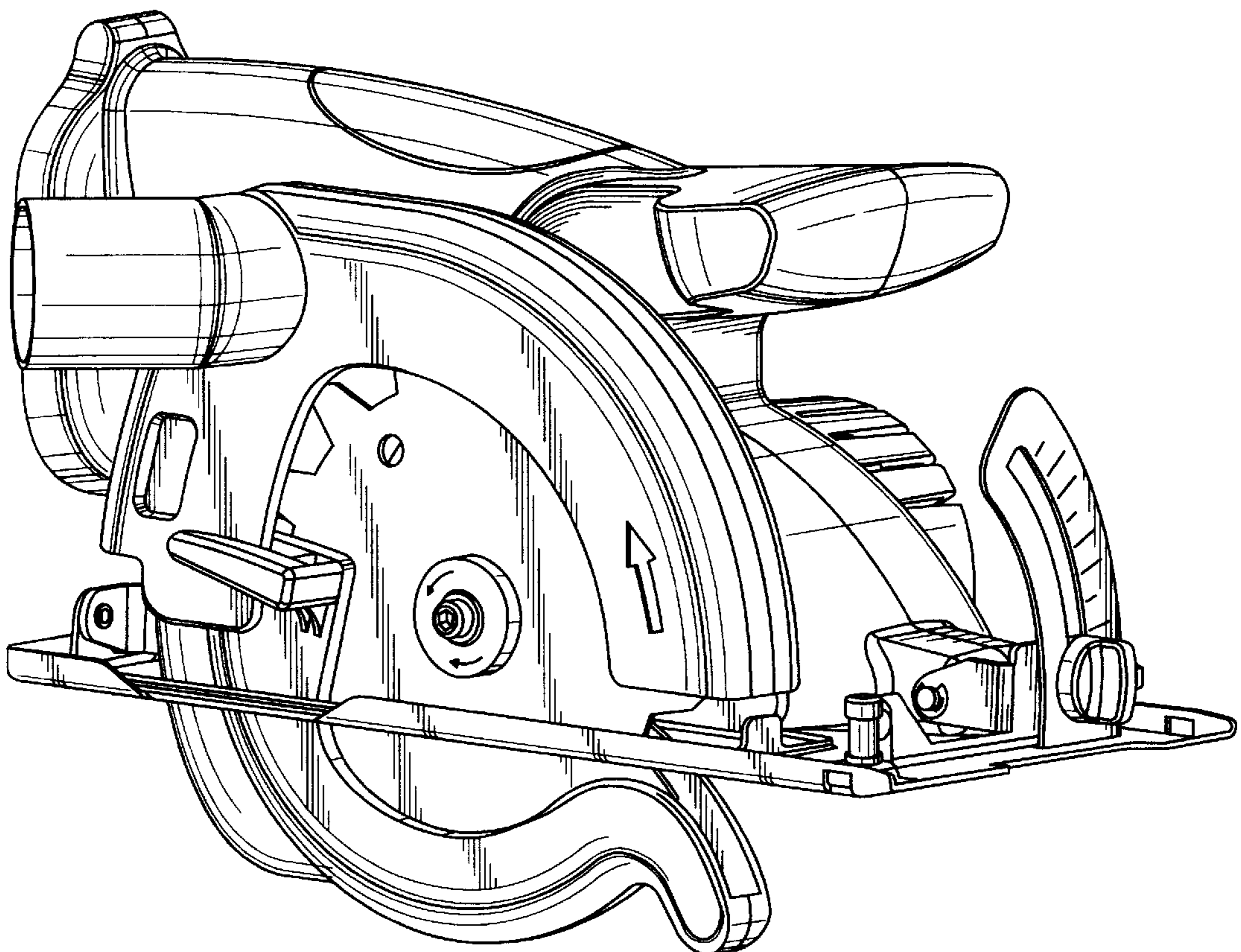
[57] CLAIM

The ornamental design for an electric saw, as shown and described.

DESCRIPTION

FIG. 1 is a right side and front end perspective view of an electric saw showing my new design;
FIG. 2 is a right side elevational view thereof;
FIG. 3 is a left side elevational view thereof;
FIG. 4 is a top plan view thereof;
FIG. 5 is a bottom plan view thereof;
FIG. 6 is a front end elevational view thereof; and,
FIG. 7 is a rear elevational view thereof.

1 Claim, 4 Drawing Sheets



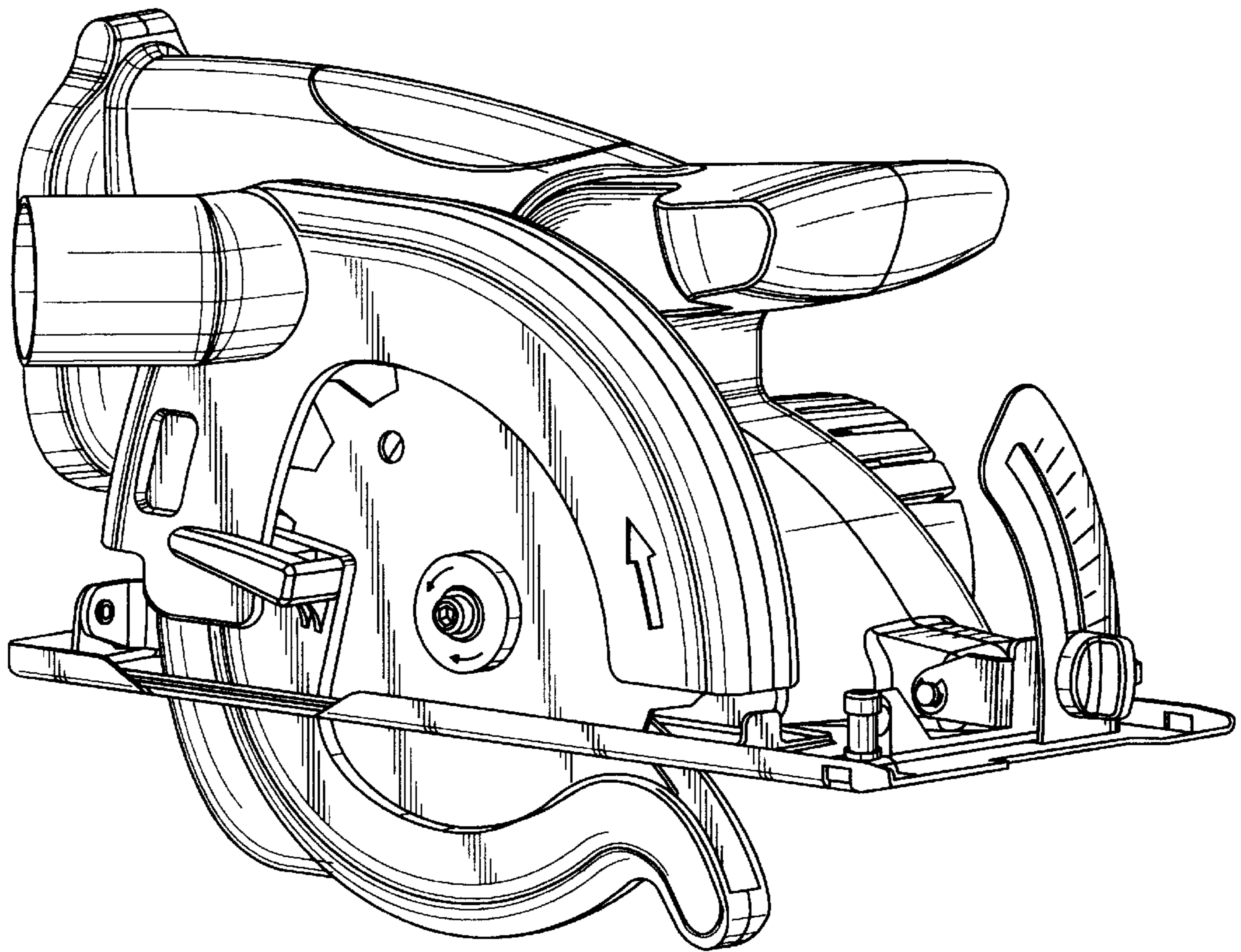


FIG. 1

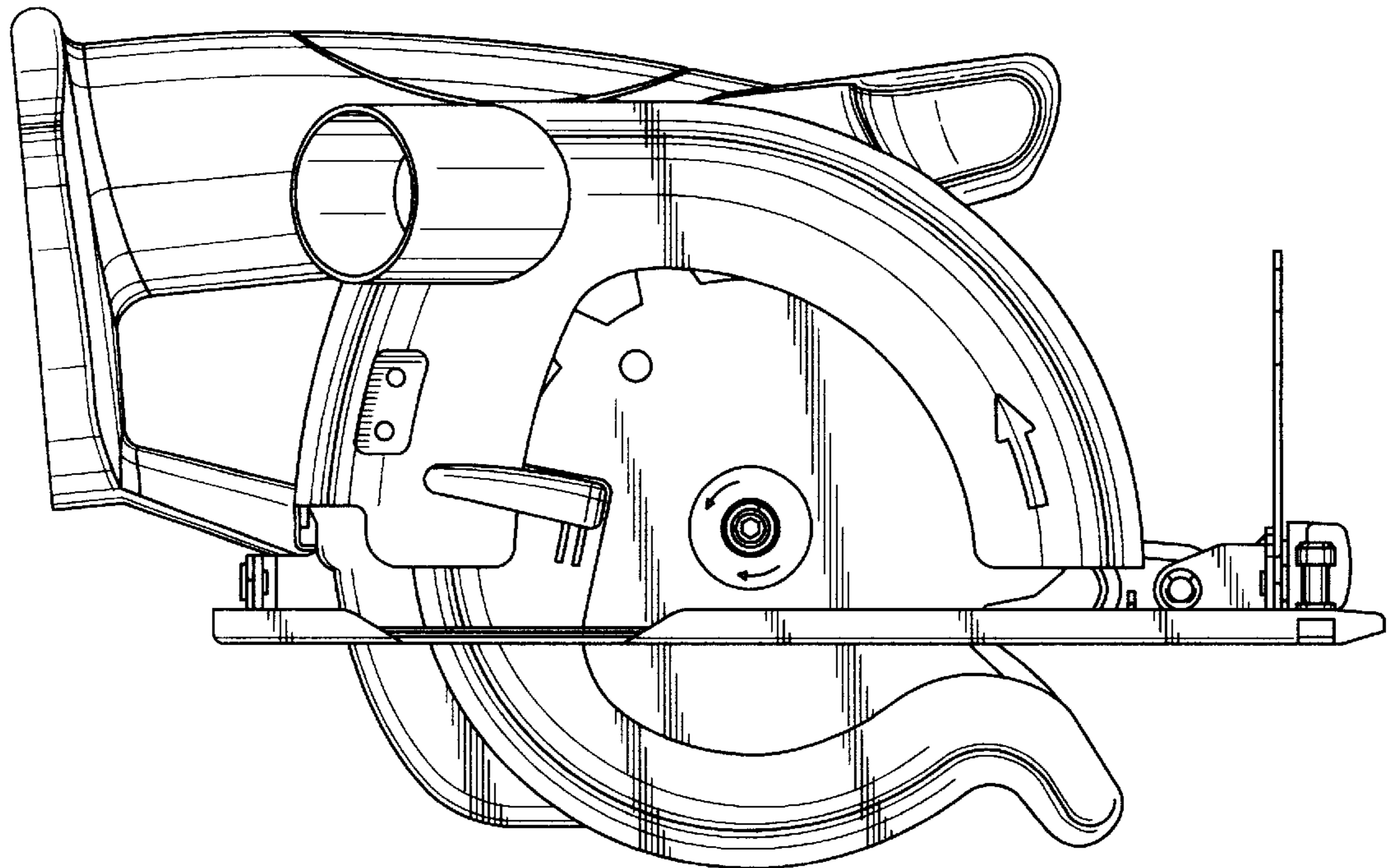


FIG. 2

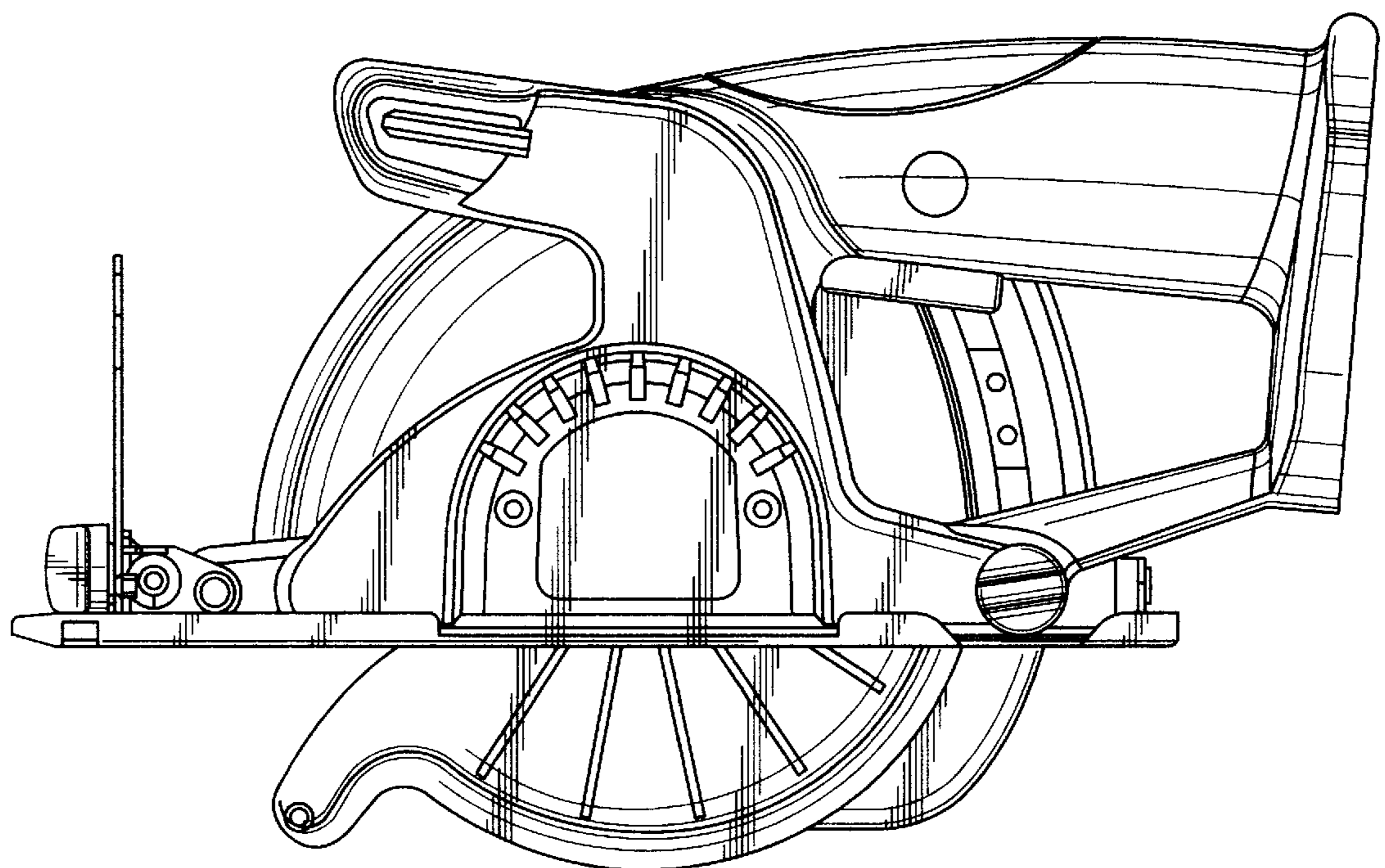


FIG. 3

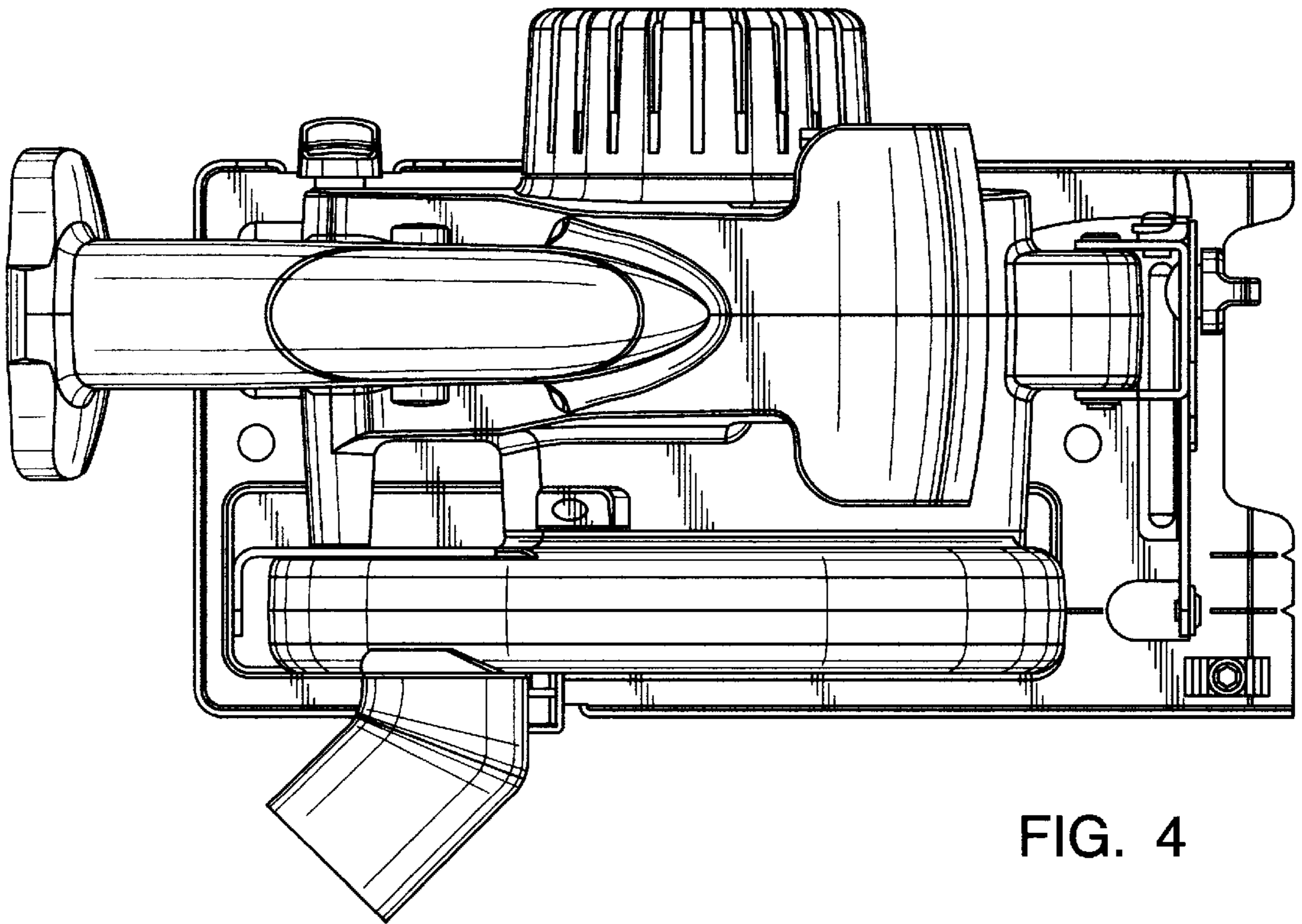


FIG. 4

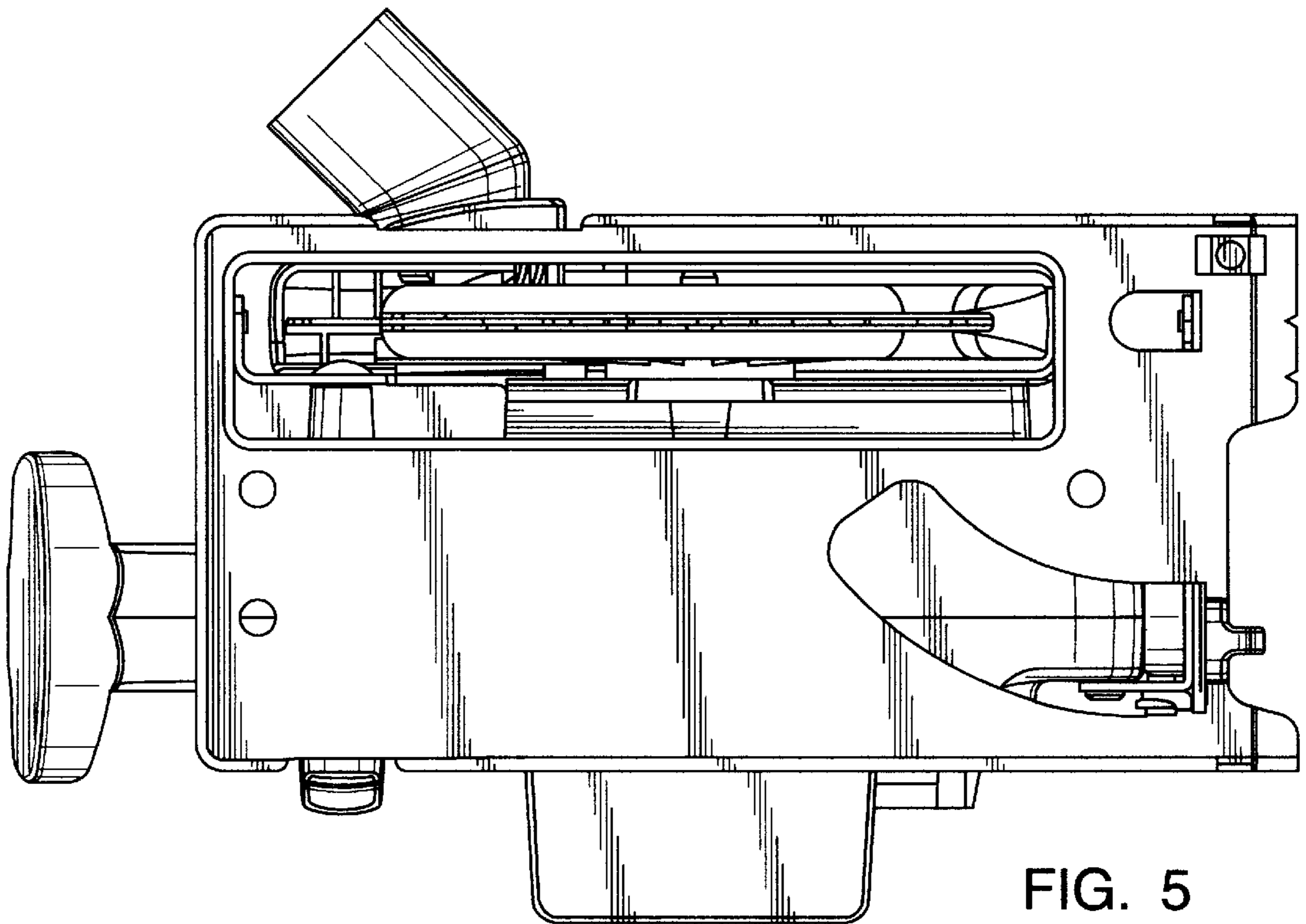


FIG. 5

