



US00D429131S

# United States Patent [19] Rivera

[11] **Patent Number: Des. 429,131**

[45] **Date of Patent: \*\* Aug. 8, 2000**

[54] **PAIR OF JAWS FOR FOLDING PLIERS**

[75] Inventor: **Benjamin C. Rivera**, West Linn, Oreg.

[73] Assignee: **Leatherman Tool Group, Inc.**,  
Portland, Oreg.

[\*] Notice: This patent is subject to a terminal disclaimer.

[\*\*] Term: **14 Years**

[21] Appl. No.: **29/099,872**

[22] Filed: **Jan. 29, 1999**

[51] **LOC (7) Cl.** ..... **08-05**

[52] **U.S. Cl.** ..... **D8/58**

[58] **Field of Search** ..... D8/51, 52, 55,  
D8/58, 105; 81/385, 405, 407, 408, 409,  
411, 415, 416, 417, 418, 427.5; 7/125

[56] **References Cited**

**U.S. PATENT DOCUMENTS**

D. 368,634 4/1996 Frazer ..... D8/105

*Primary Examiner*—Alan P. Douglas  
*Assistant Examiner*—Reid Hecker  
*Attorney, Agent, or Firm*—Chernoff, Vilhauer, McClung & Stenzel, LLP

[57] **CLAIM**

The ornamental design for a pair of jaws for folding pliers, as shown and described.

**DESCRIPTION**

FIG. 1 is an isometric view from the upper left rear of a pair of jaws for folding pliers showing my new design, wherein the broken line depiction of a pair of handles is included for illustrative purposes and forms no part of the claimed design;

FIG. 2 is a top plan view of the pair of jaws for folding pliers shown in FIG. 1;

FIG. 3 is a left side elevational view thereof;

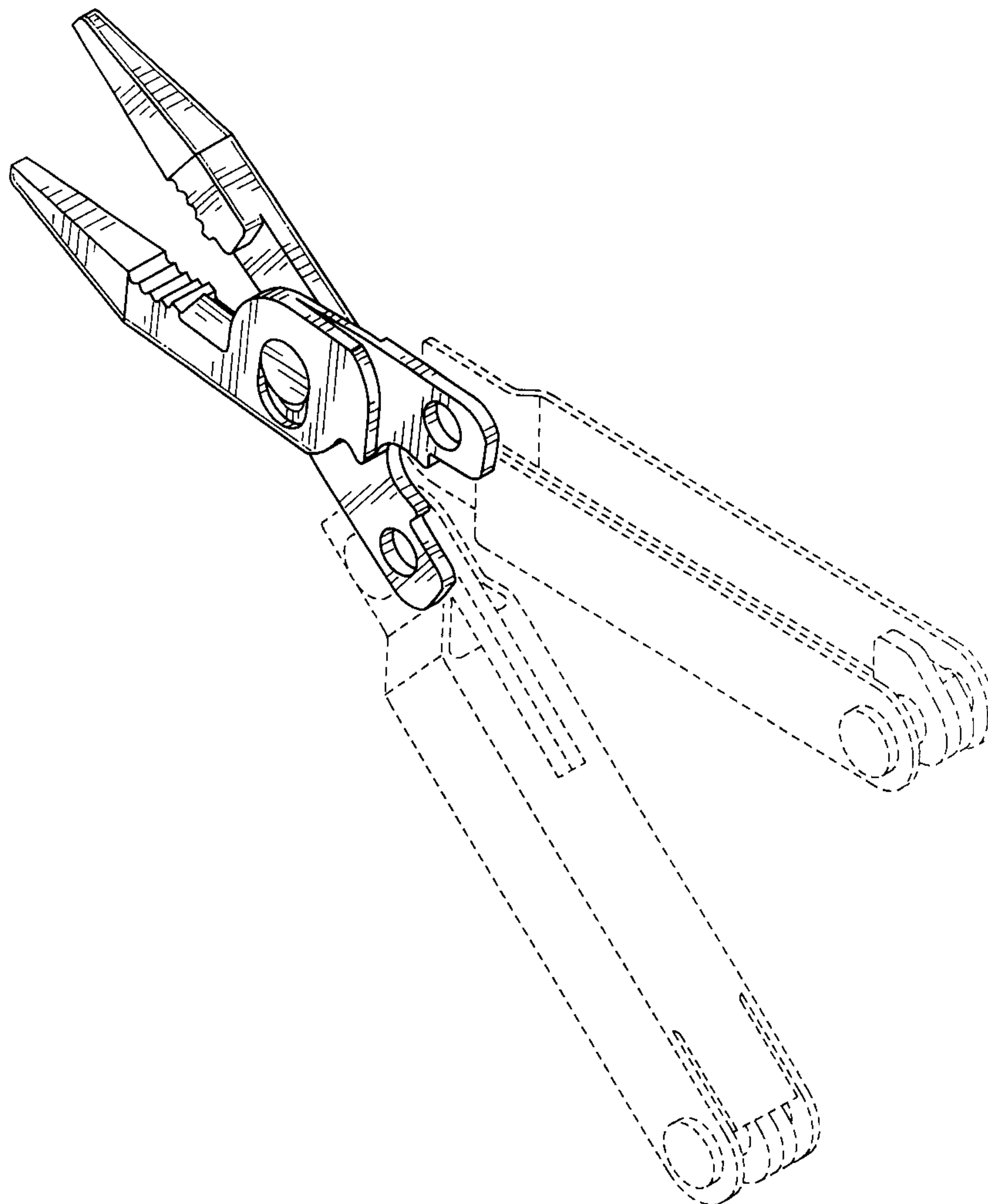
FIG. 4 is a front, or jaw tip, end elevational view thereof;

FIG. 5 is a rear end elevational view thereof;

FIG. 6 is a bottom plan view thereof; and,

FIG. 7 is a right side elevational view.

**1 Claim, 2 Drawing Sheets**



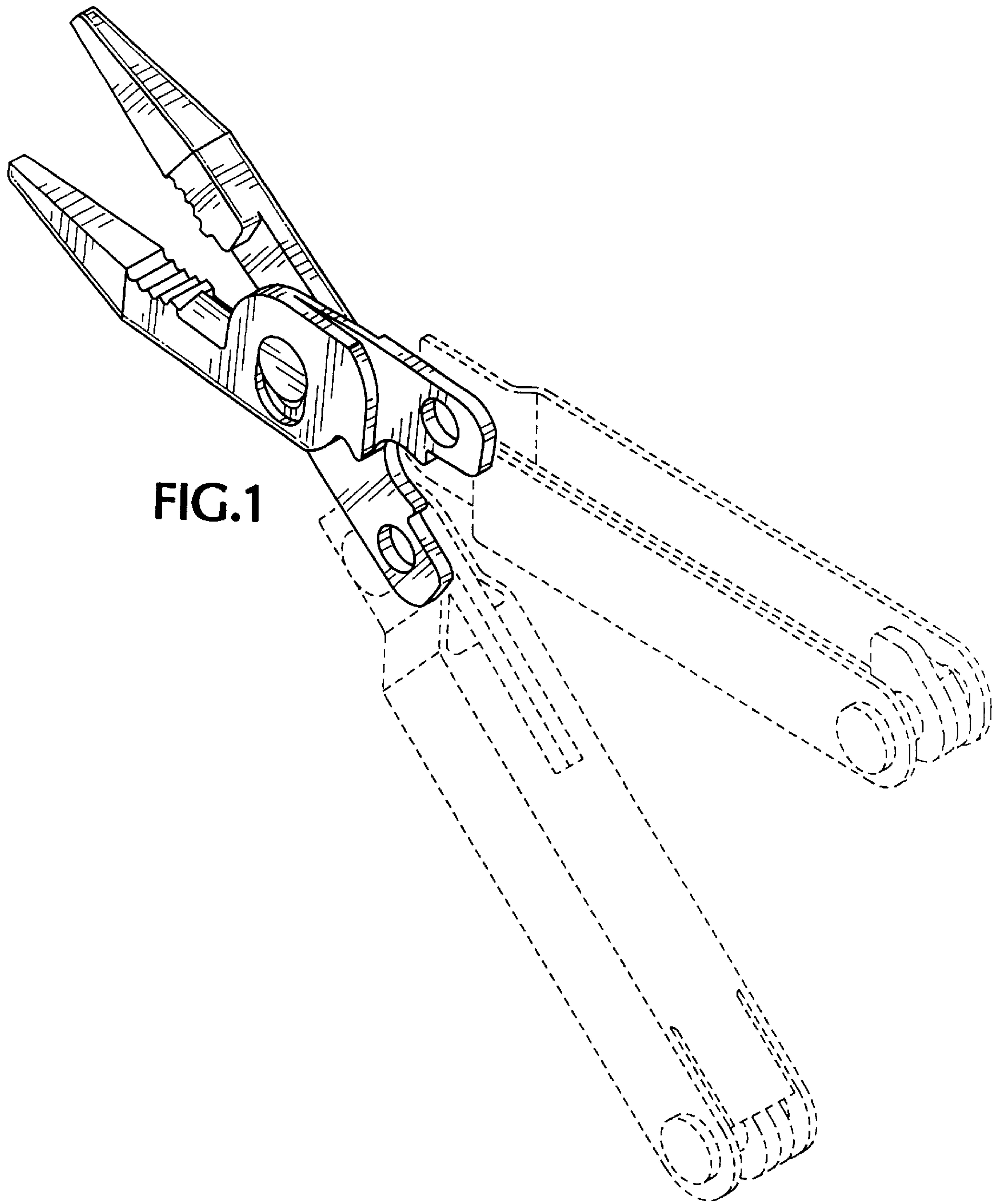


FIG.1



FIG. 2

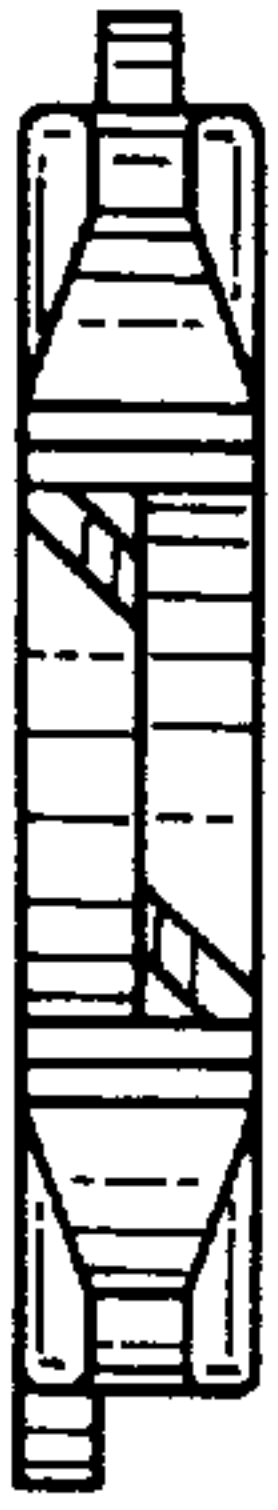


FIG. 4

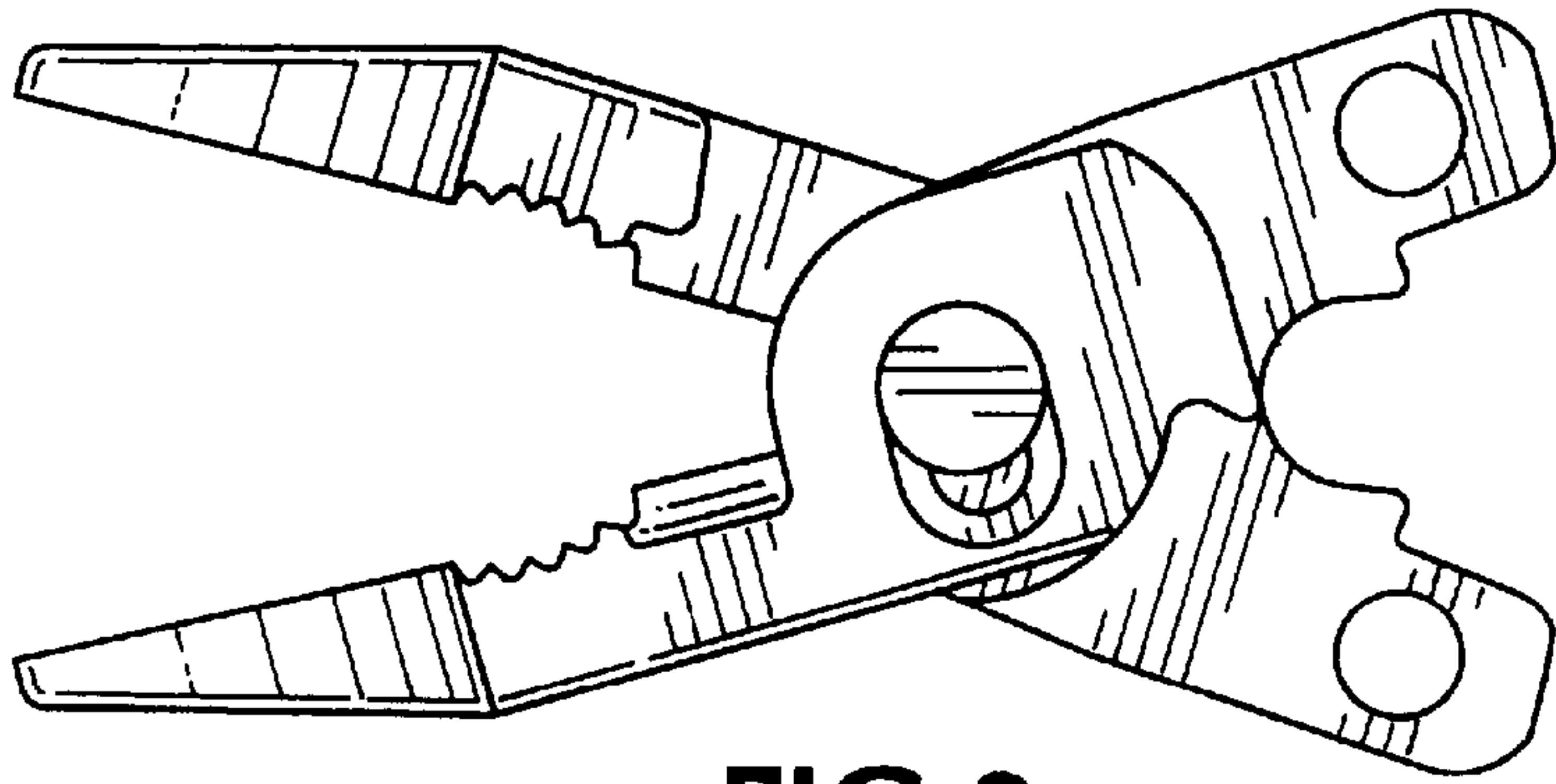


FIG. 3

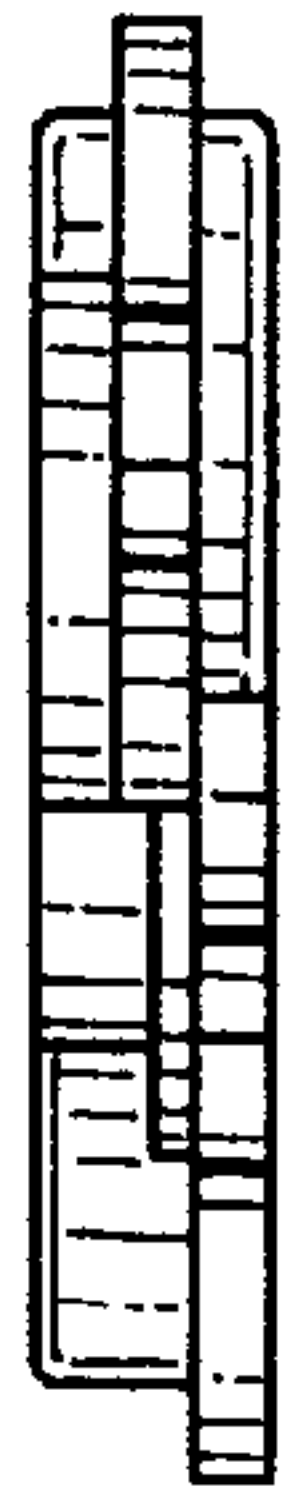


FIG. 5



FIG. 6

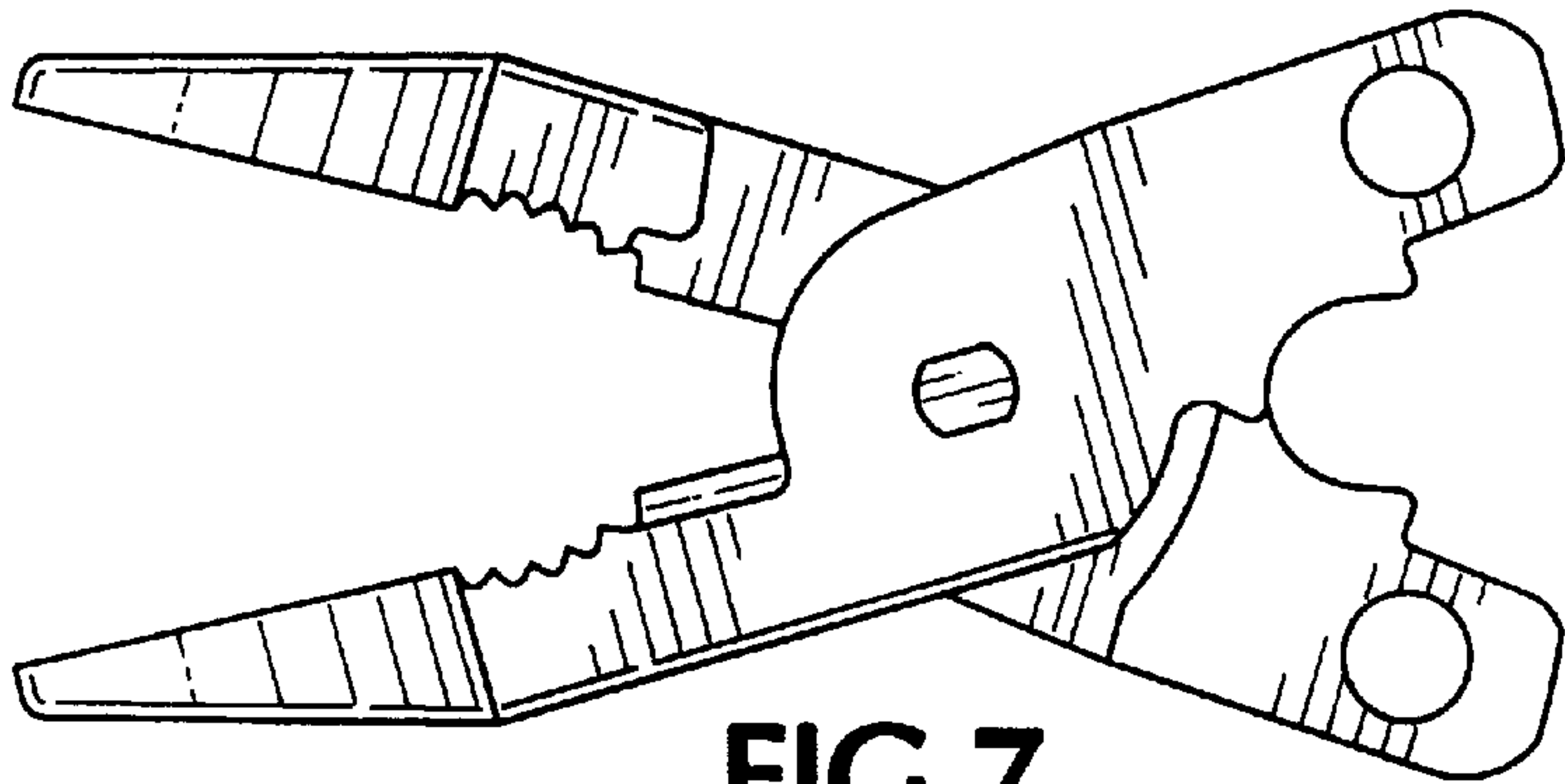


FIG. 7