



US00D429130S

United States Patent [19] Fallandy

[11] Patent Number: Des. 429,130

[45] Date of Patent: ** Aug. 8, 2000

[54] WIRE INSERTION IMPACT TOOL

[75] Inventor: Michael M. Fallandy, Ventura, Calif.

[73] Assignee: Harris Corporation, Melbourne, Fla.

[**] Term: 14 Years

[21] Appl. No.: 29/088,758

[22] Filed: Jun. 1, 1998

[51] LOC (7) Cl. 08-05

[52] U.S. Cl. D8/51

[58] Field of Search D8/14, 51, 21,
D8/28; 29/270, 278, 566.4, 735, 758, 764;
294/1.1

[56] **References Cited**

U.S. PATENT DOCUMENTS

D. 359,208	6/1995	Ivey	D8/14
D. 382,454	8/1997	McMahon	D8/51
4,306,349	12/1981	Knickerbocker	29/278
4,412,374	11/1983	Forberg et al.	29/278

4,416,059	11/1983	Humphrey et al.	29/278
4,434,542	3/1984	Forberg et al.	29/278
5,195,230	3/1993	Krietzman	29/566.4
5,813,109	9/1998	Ziegler et al.	29/566.4

Primary Examiner—Philip S. Hyder
Attorney, Agent, or Firm—Harry M. Fleck

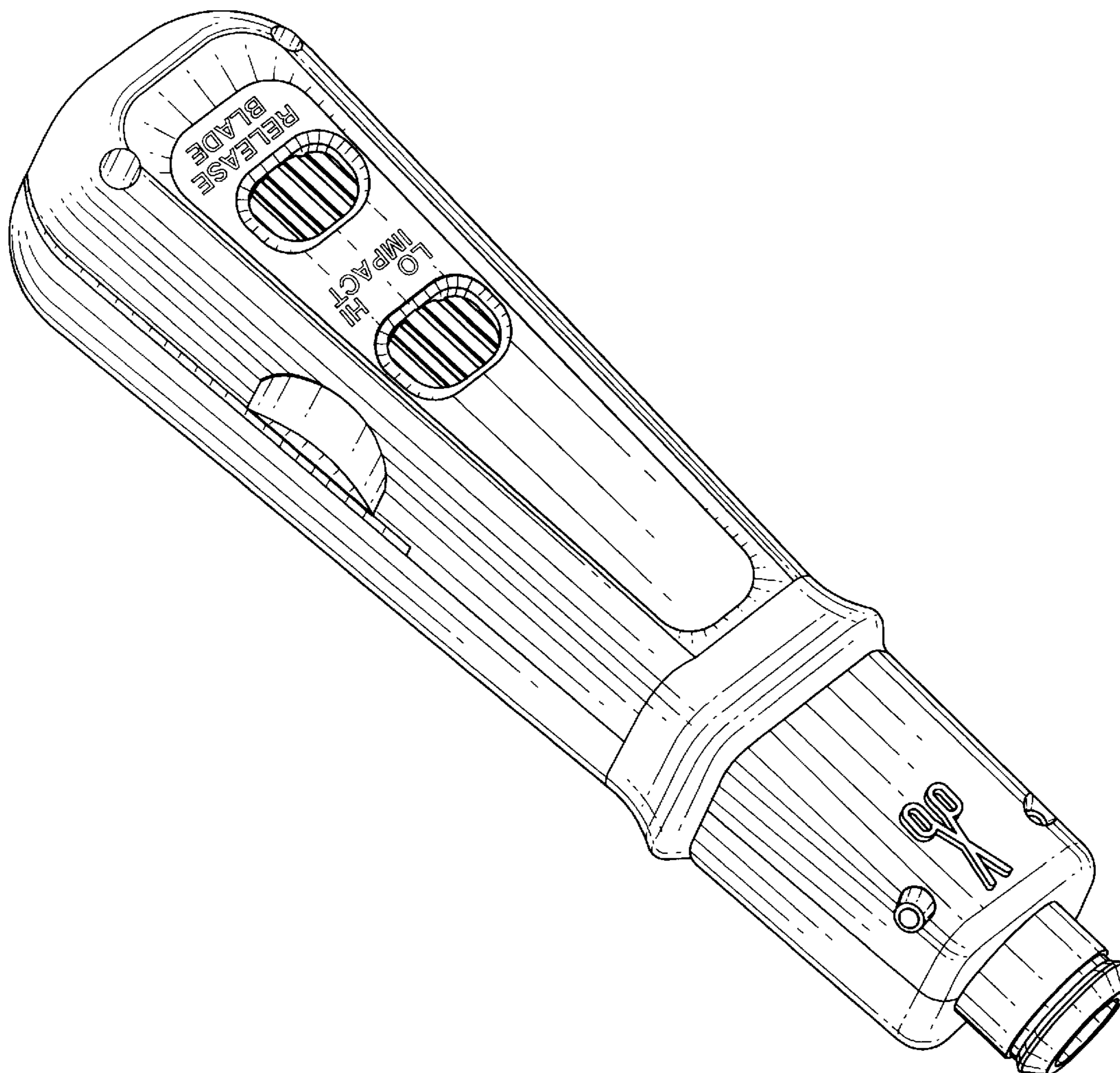
[57] **CLAIM**

I claim the ornamental design for wire insertion impact tool, as shown.

DESCRIPTION

FIG. 1 is a perspective view of the wire insertion impact tool of the present invention, looking toward the top and left side; FIG. 2 is a perspective view looking toward the bottom and right side; FIG. 3 is a top plan view; FIG. 4 is a bottom plan view; FIG. 5 is an elevational view of the left side; FIG. 6 is an elevational view of the front end; and, FIG. 7 is an elevational view of the back end.

1 Claim, 4 Drawing Sheets



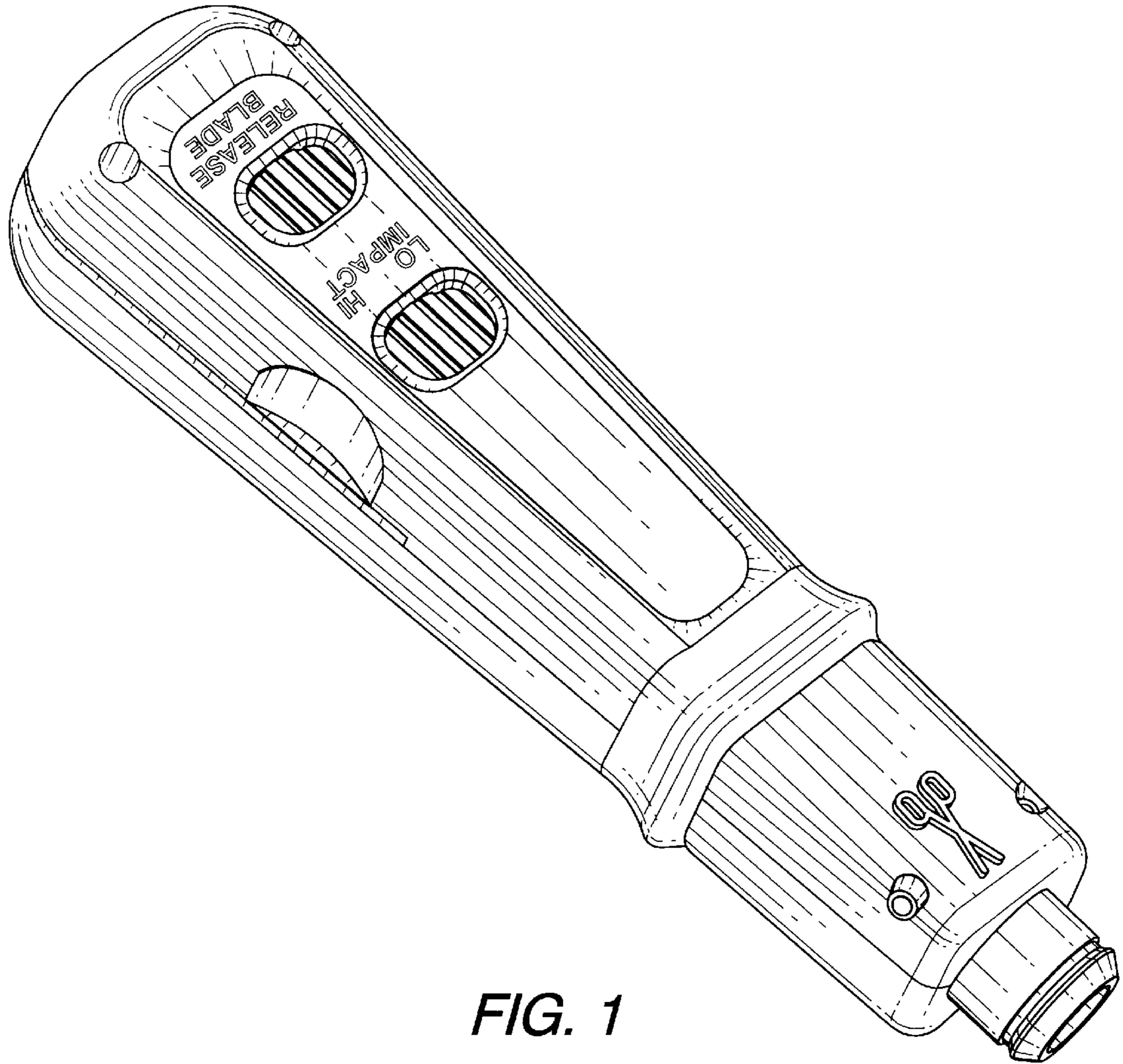


FIG. 1

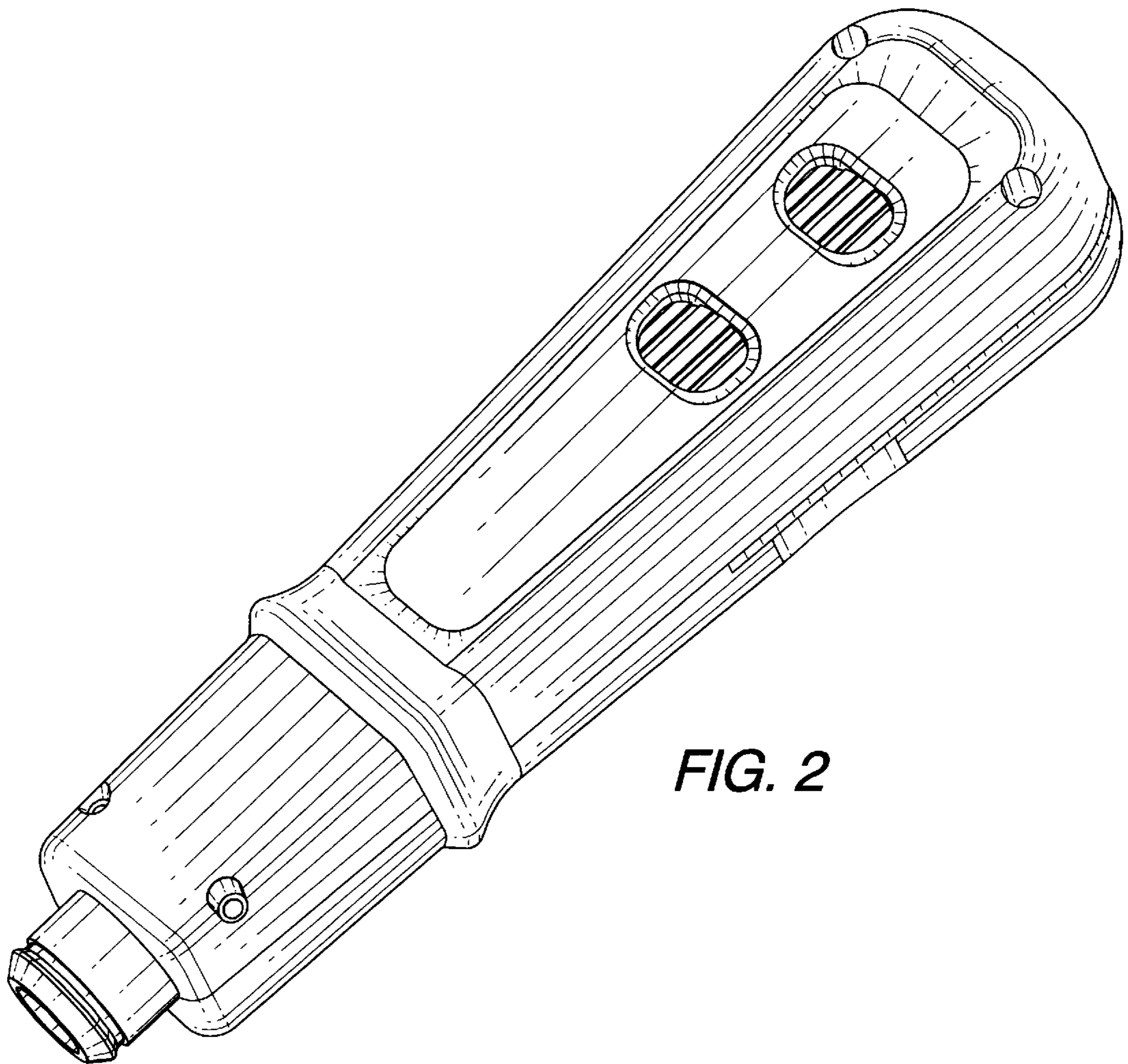


FIG. 2

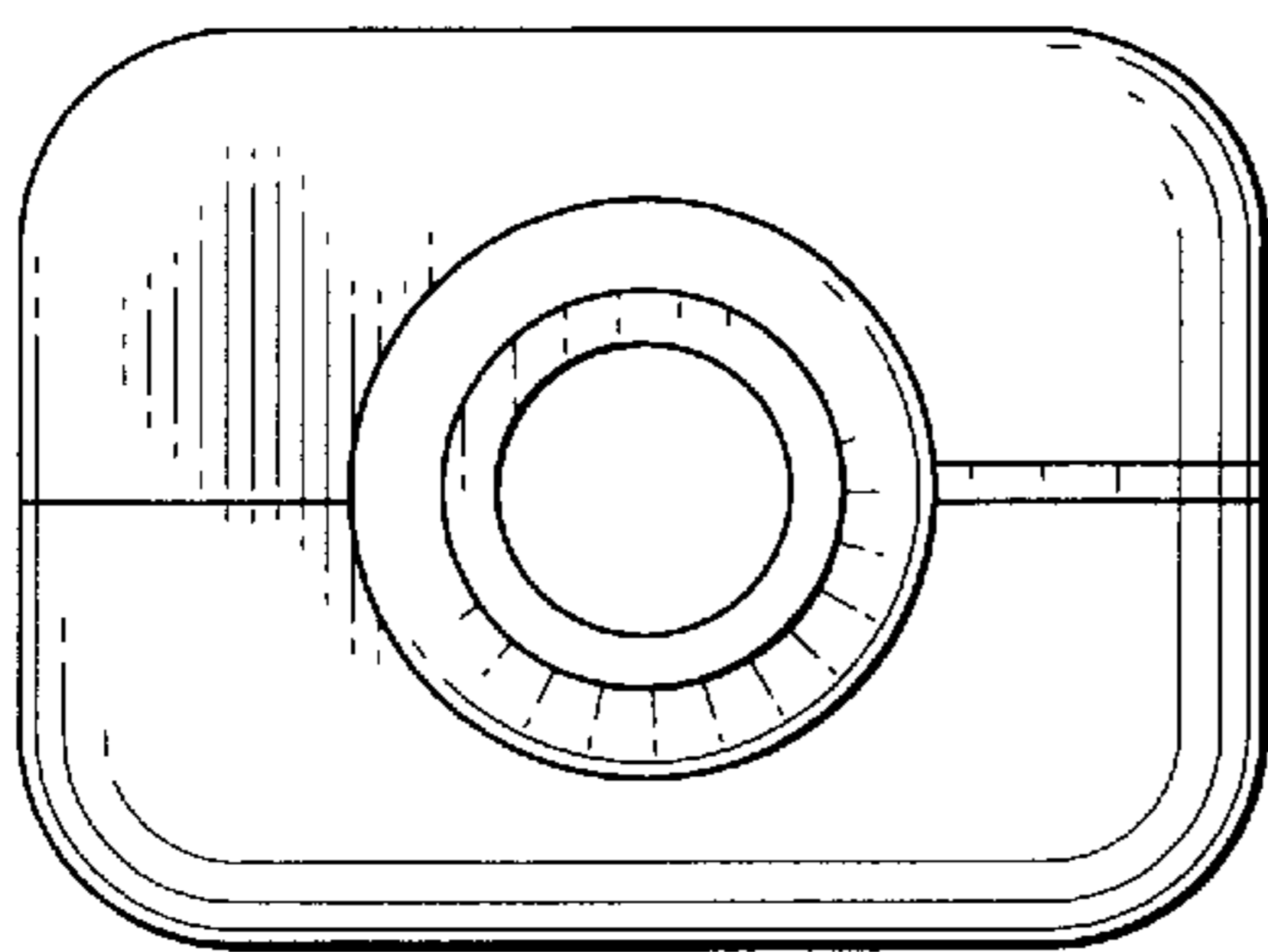


FIG. 7

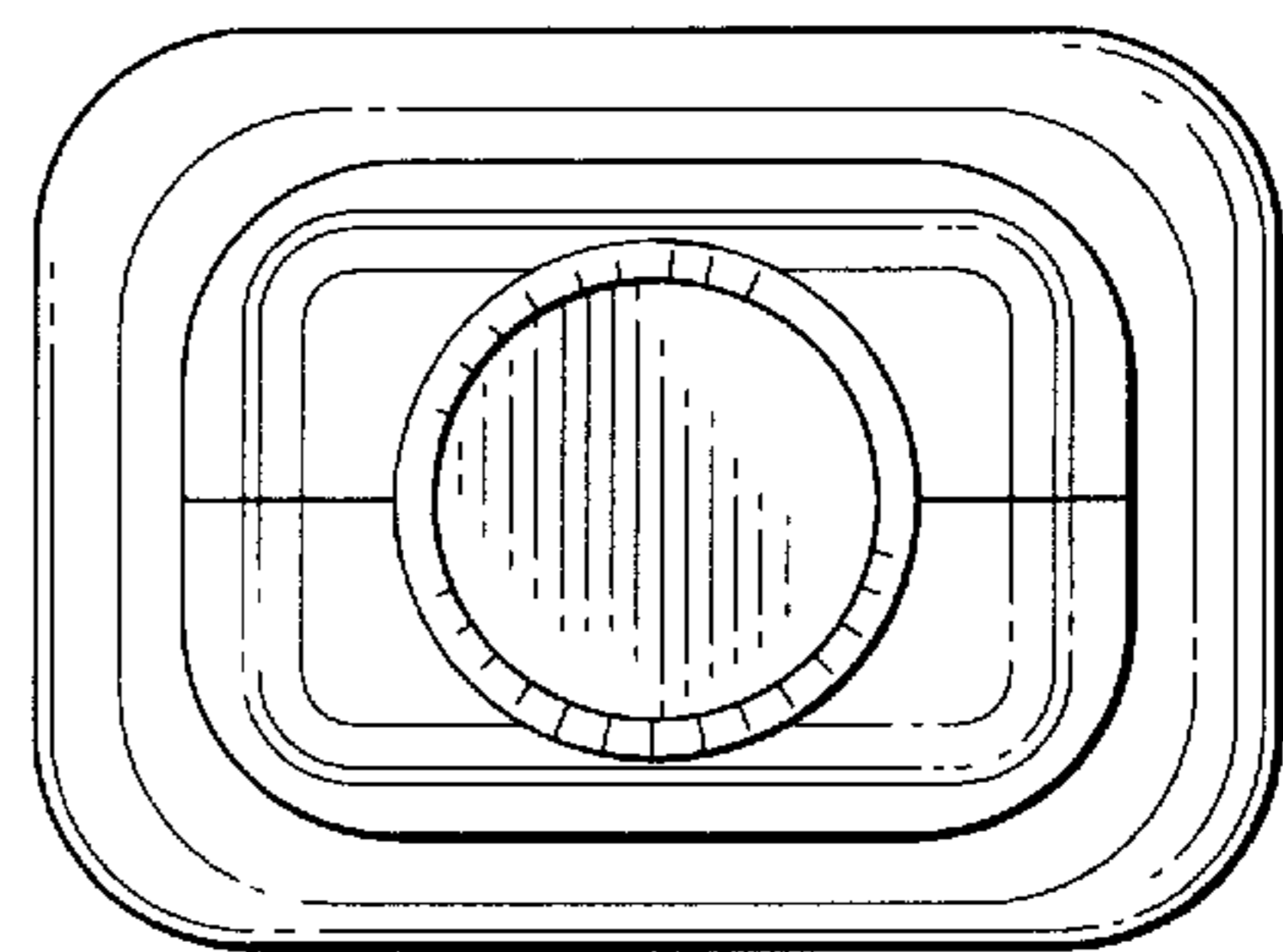


FIG. 6

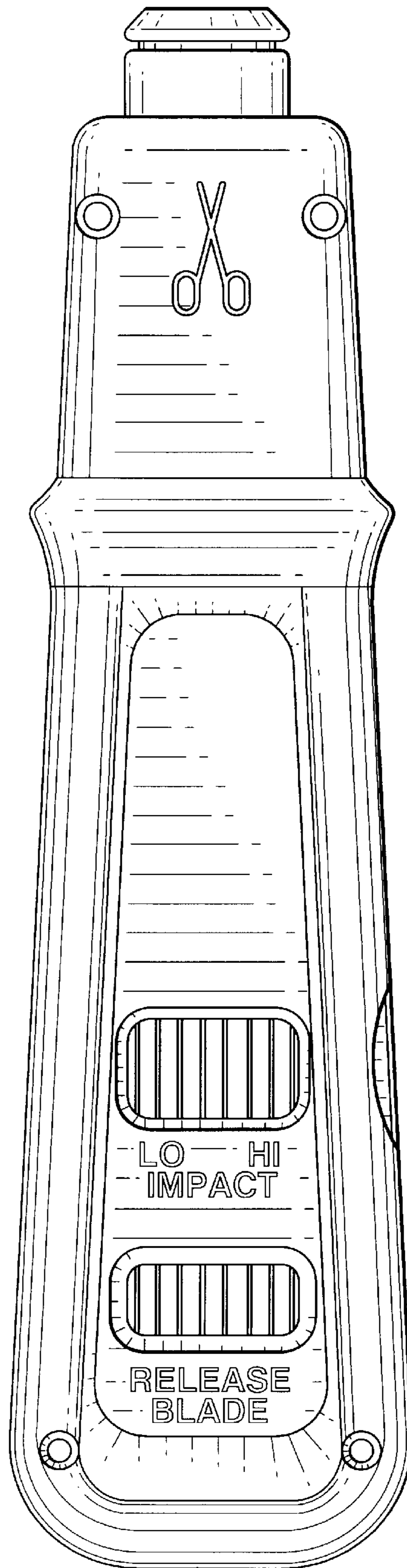


FIG. 3

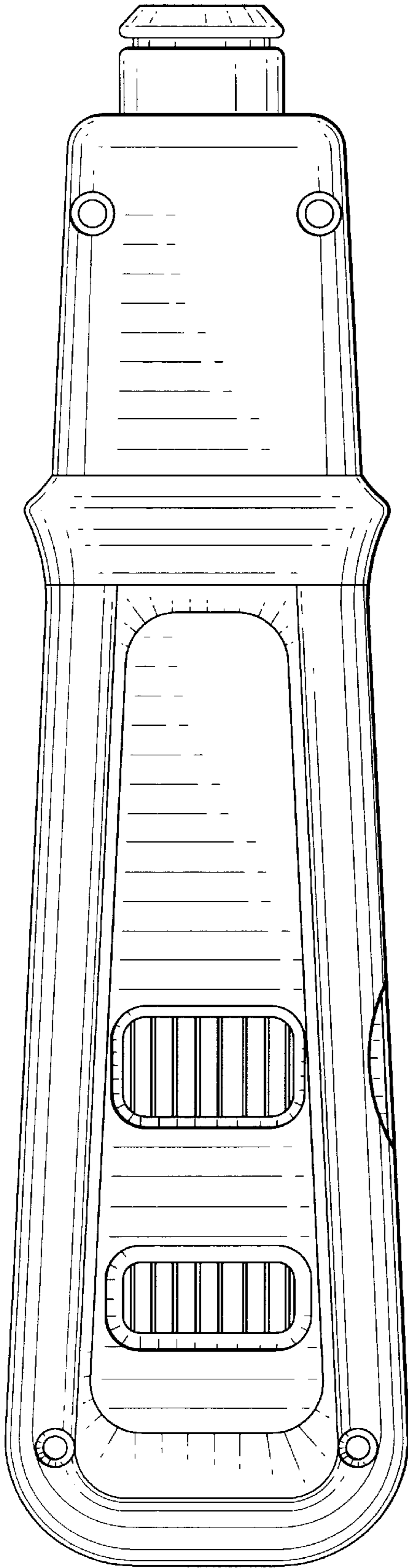


FIG. 4

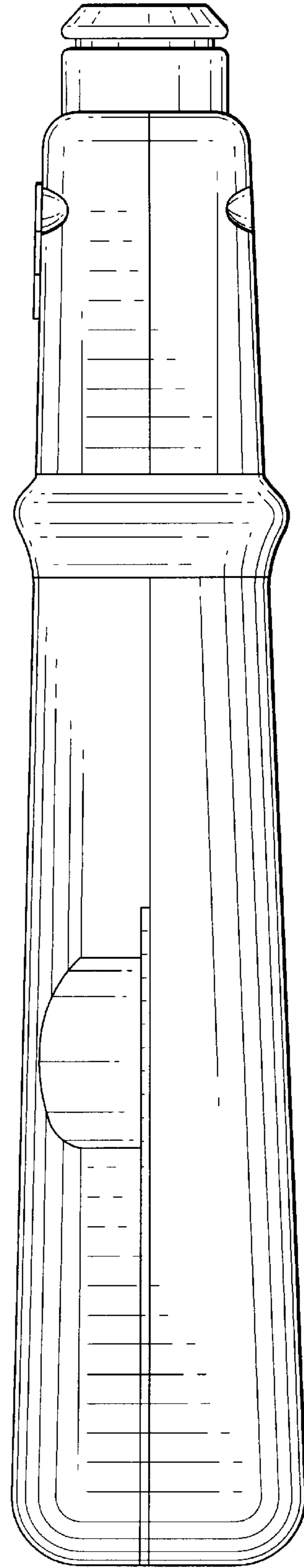


FIG. 5