



US00D429126S

United States Patent [19]
Murdukhayev

[11] **Patent Number: Des. 429,126**

[45] **Date of Patent: ** Aug. 8, 2000**

[54] **GARDENING IMPLEMENT**

[76] Inventor: **Yury Murdukhayev**, 1803 Danforth Dr., Marietta, Ga. 30062-5554

[**] Term: **14 Years**

[21] Appl. No.: **29/115,008**

[22] Filed: **Dec. 6, 1999**

[51] **LOC (7) Cl.** **08-01**

[52] **U.S. Cl.** **D8/1; D8/11**

[58] **Field of Search** D8/1, 2, 11; 294/19.1; 172/371, 375, 380; 7/114

[56] **References Cited**

U.S. PATENT DOCUMENTS

D. 248,819	8/1978	Hare	D8/11
1,328,537	1/1920	Neuman	172/375
1,545,228	7/1925	Bartran	172/375
2,184,217	12/1939	Guynn	172/375
3,116,796	1/1964	Miljan	172/371

OTHER PUBLICATIONS

Union Fork Hoe Company; item # 12 American Pattern Eye Hoe, Dec. 1986.

Primary Examiner—Robin V. Taylor

Attorney, Agent, or Firm—Needle & Rosenberg, P.C.

[57] **CLAIM**

The ornamental design for a gardening implement, as shown and described.

DESCRIPTION

FIG. 1 is a side elevational view of my new design for a gardening implement, with phantom lines indicating a handle which forms no part of the claimed design, the opposited side of which is a mirror image and therefore not shown;

FIG. 2 is a top plan view of the implement shown in FIG. 1;

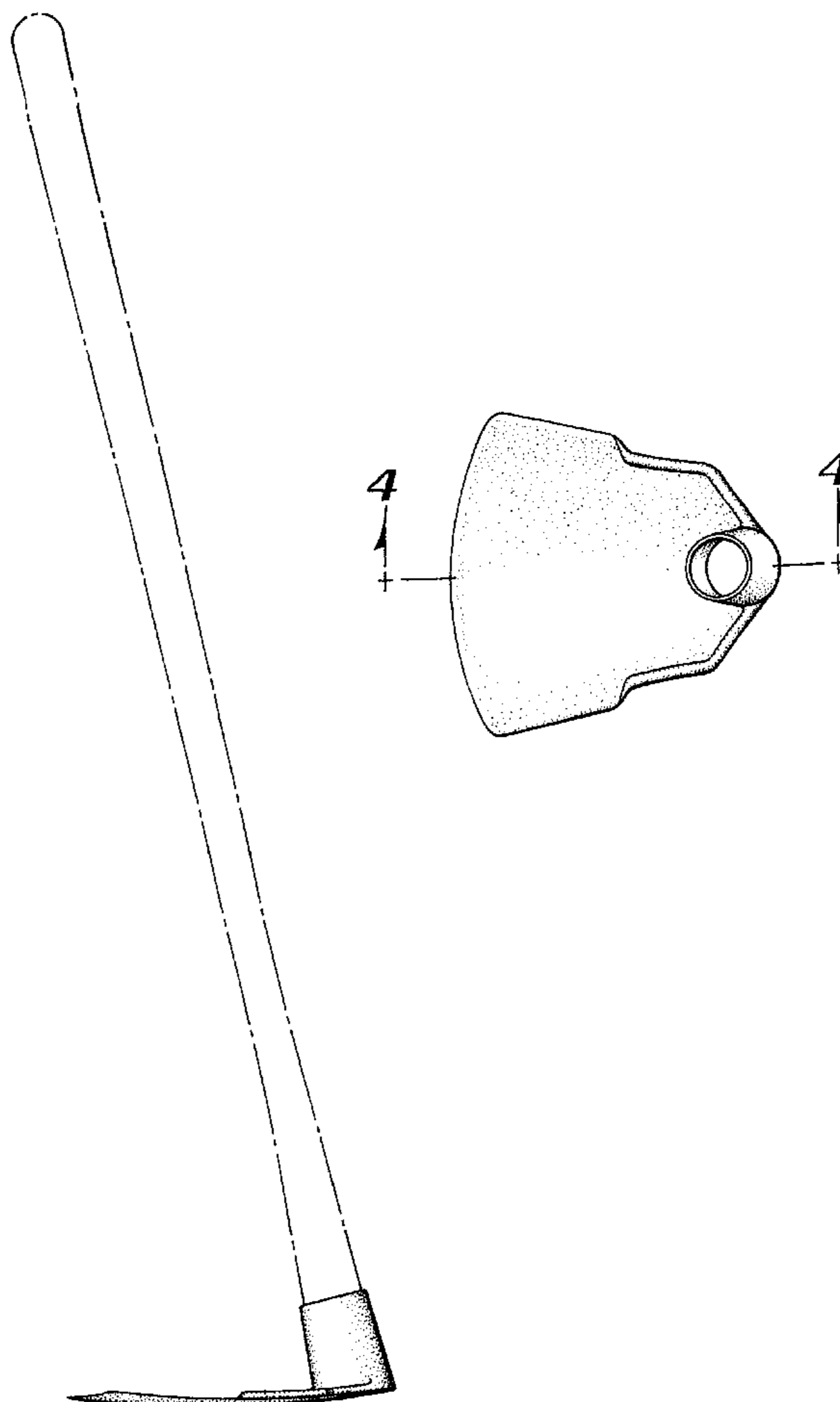
FIG. 3 is a bottom plan view of the implement shown in FIG. 2;

FIG. 4 is a cross-sectional view taken along lines 4—4 in FIG. 2;

FIG. 5 is a front elevational view of the implement shown in FIG. 1; and,

FIG. 6 is a rear elevational view of the implement shown in FIG. 1.

1 Claim, 1 Drawing Sheet



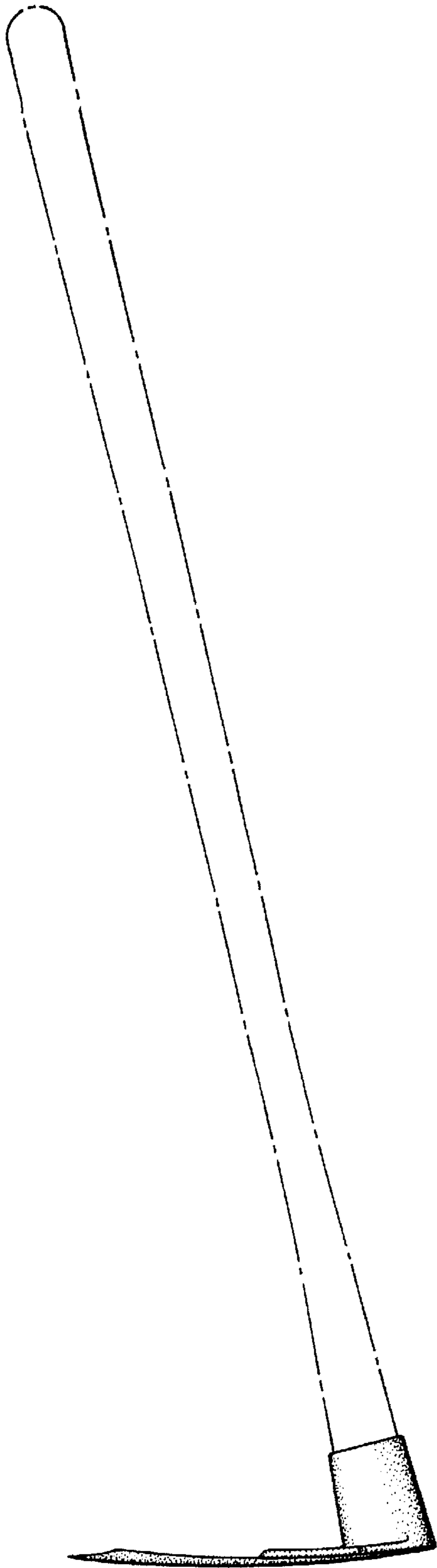


FIG 1

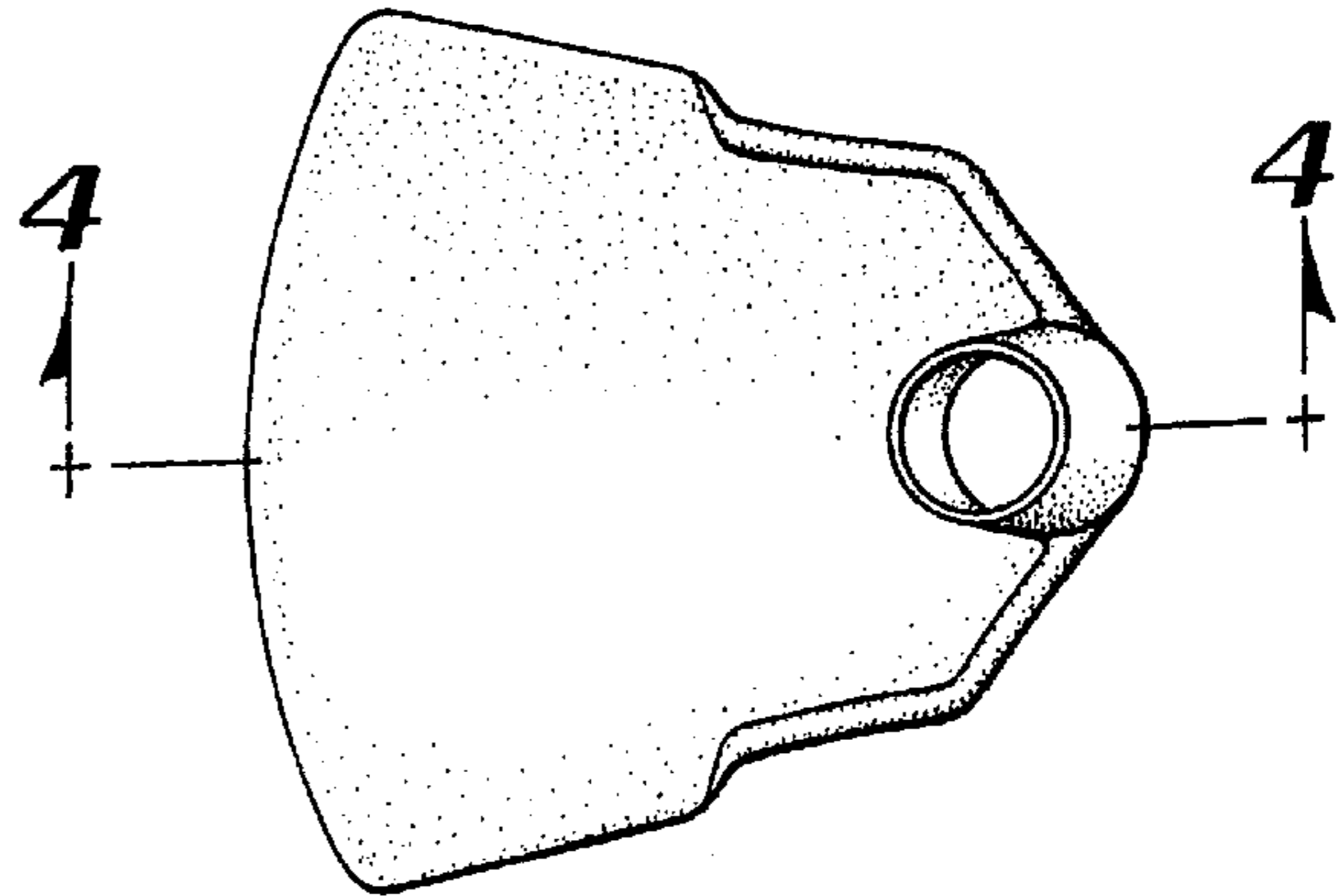


FIG 2

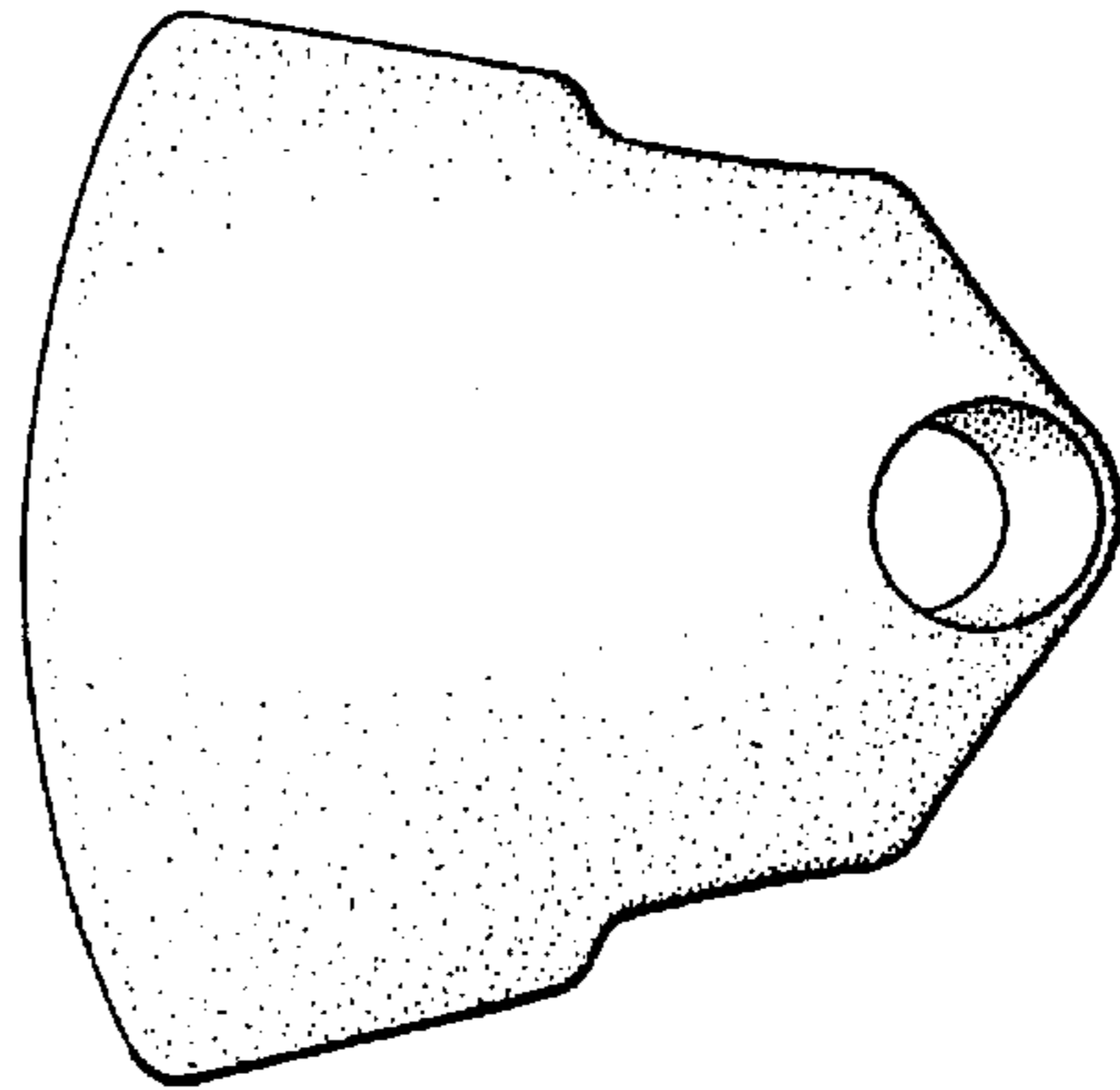


FIG 3



FIG 4

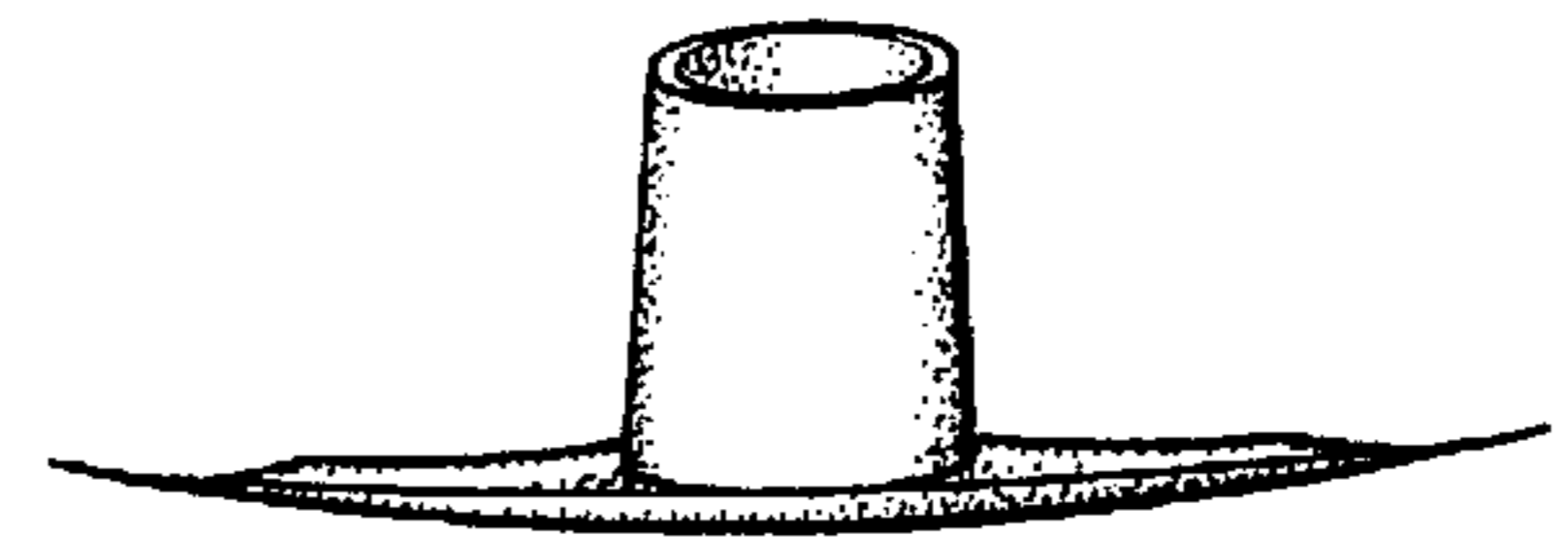


FIG 5

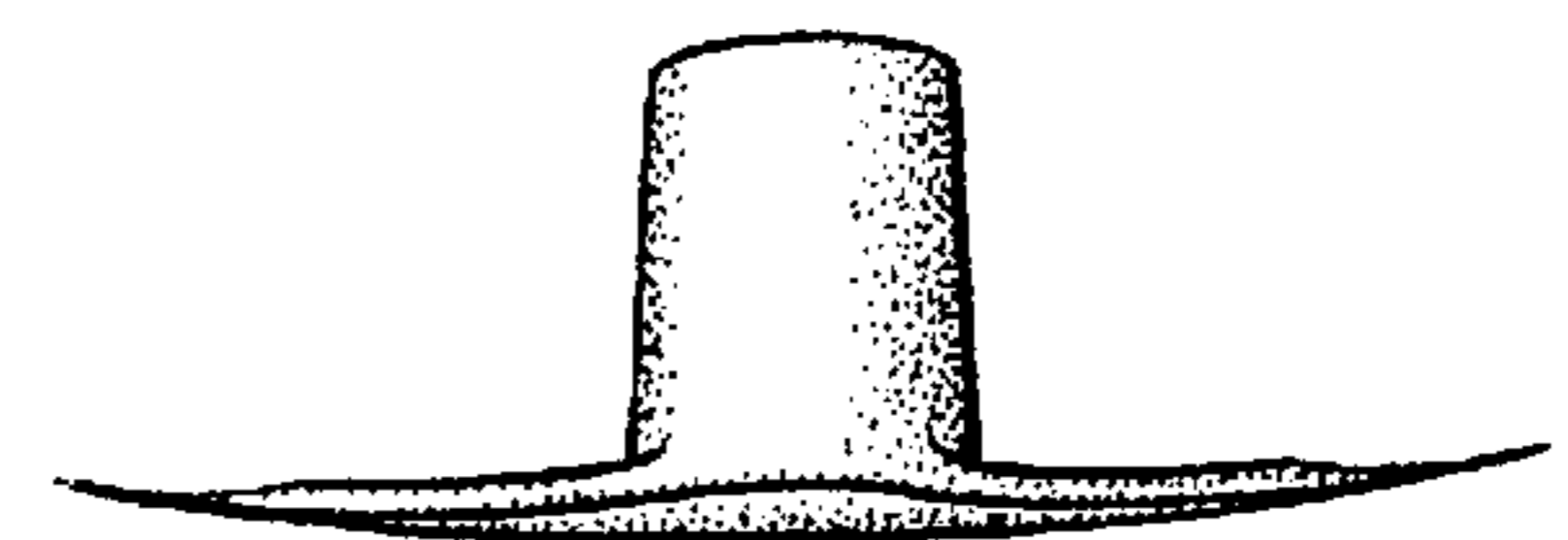


FIG 6