



US00D429124S

**United States Patent** [19]  
**Sutton**

[11] **Patent Number: Des. 429,124**

[45] **Date of Patent: \*\* Aug. 8, 2000**

[54] **KITCHEN OVEN GRATE TOOL**

[76] Inventor: **David K Sutton**, 237 W. Molloy Rd.,  
Mattydale, N.Y. 13211

[\*\*] Term: **14 Years**

[21] Appl. No.: **29/113,489**

[22] Filed: **Nov. 5, 1999**

[51] **LOC (7) Cl.** ..... **07-99**

[52] **U.S. Cl.** ..... **D7/669**

[58] **Field of Search** ..... D7/669; D32/40;  
294/1.1, 2, 10, 12, 27.1; D8/14, 21

[56] **References Cited**

**U.S. PATENT DOCUMENTS**

D. 261,595	11/1981	Yellin	.....	D7/669
D. 267,620	1/1983	Efron	.....	D7/669
D. 353,307	12/1994	Cucchiara	.....	D7/669
554,150	2/1896	Smith	.....	294/2

*Primary Examiner*—Terry A. Wallace

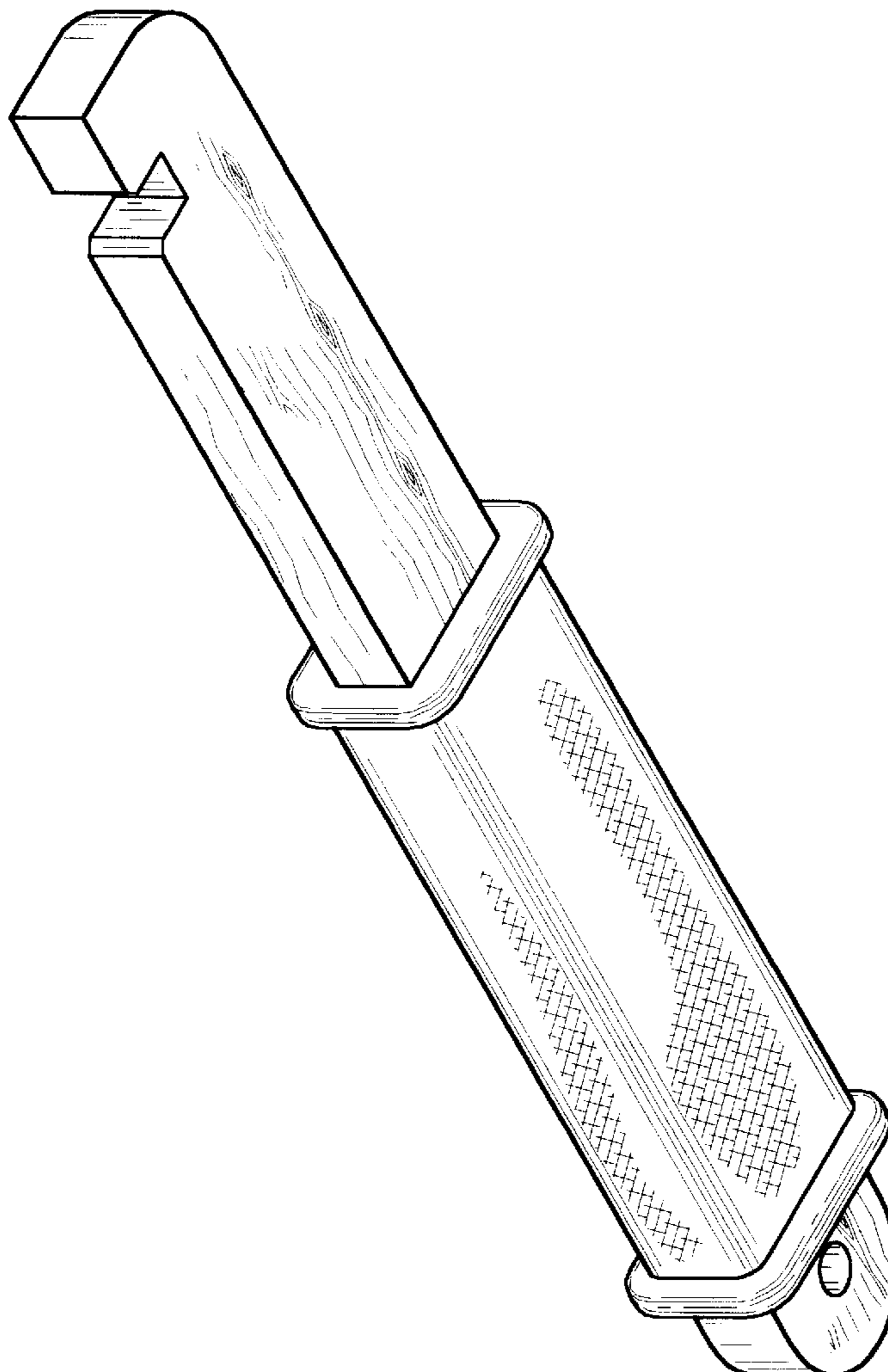
[57] **CLAIM**

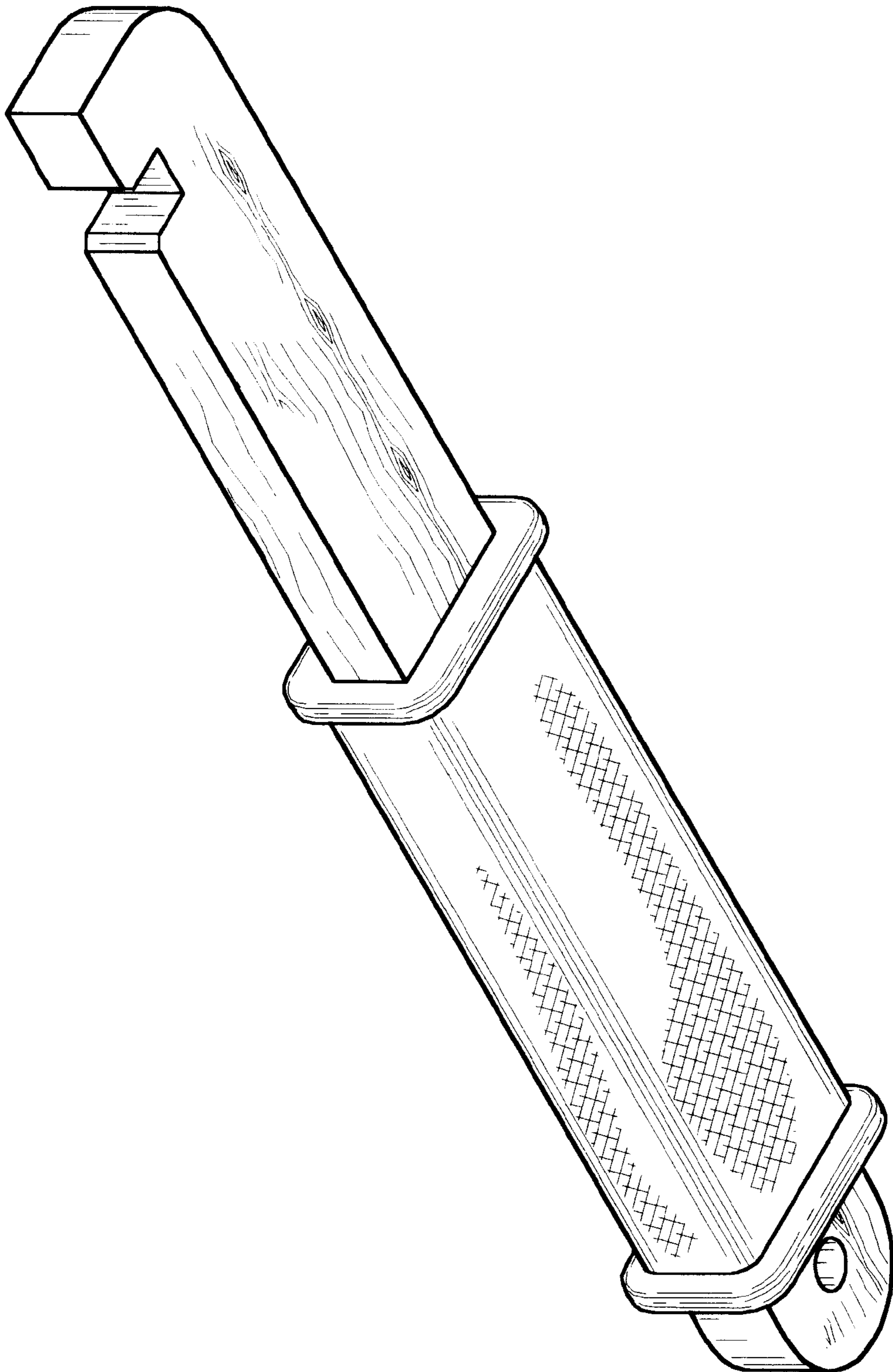
The ornamental design for a kitchen oven grate tool, as shown and described.

**DESCRIPTION**

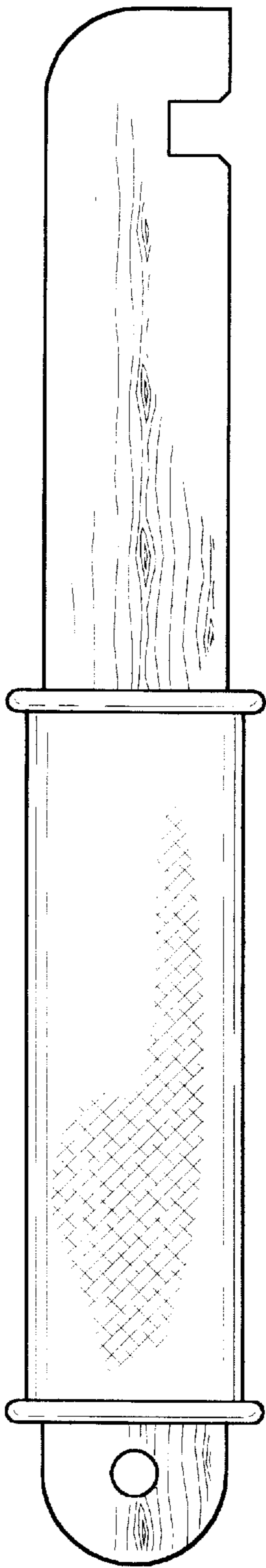
FIG. 1 is a top, rear, right side perspective view of the kitchen oven grate tool of the present invention; FIG. 2 is a front elevational view of the kitchen oven grate tool of FIG. 1, the rear view being a mirror image thereof; FIG. 3 is a left side elevational view of the kitchen oven grate tool of FIG. 1; FIG. 4 is a right side elevational view of the kitchen oven grate tool of FIG. 1; FIG. 5 is a top plan view of the kitchen oven grate tool of FIG. 1; and, FIG. 6 is a bottom plan view of the kitchen oven grate tool of FIG. 1.

**1 Claim, 2 Drawing Sheets**

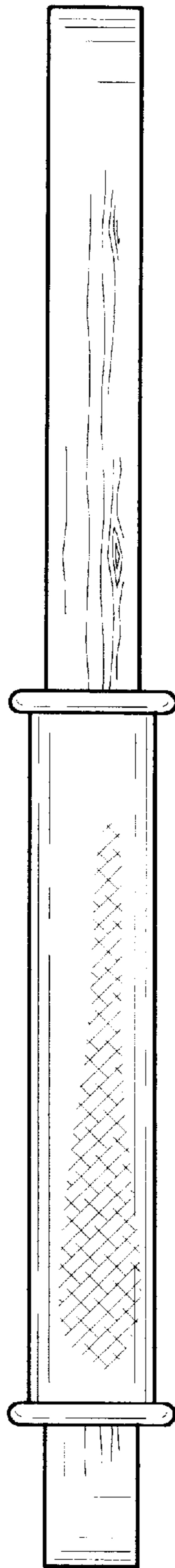




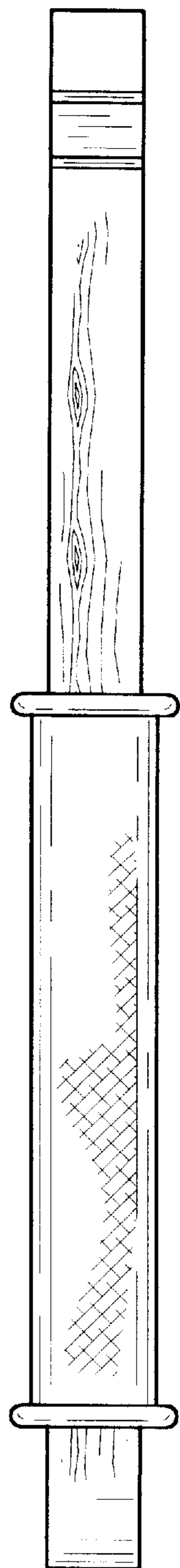
*Fig. 1*



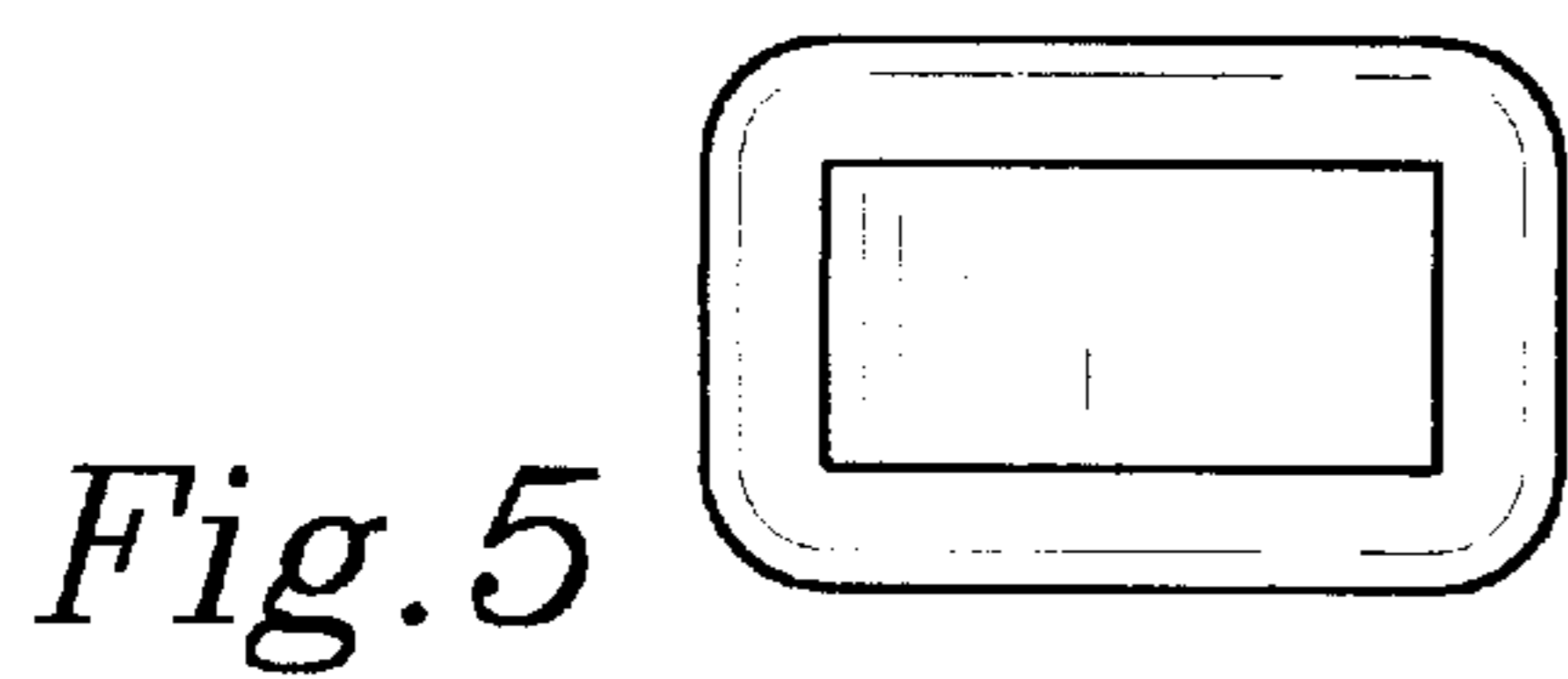
*Fig. 2*



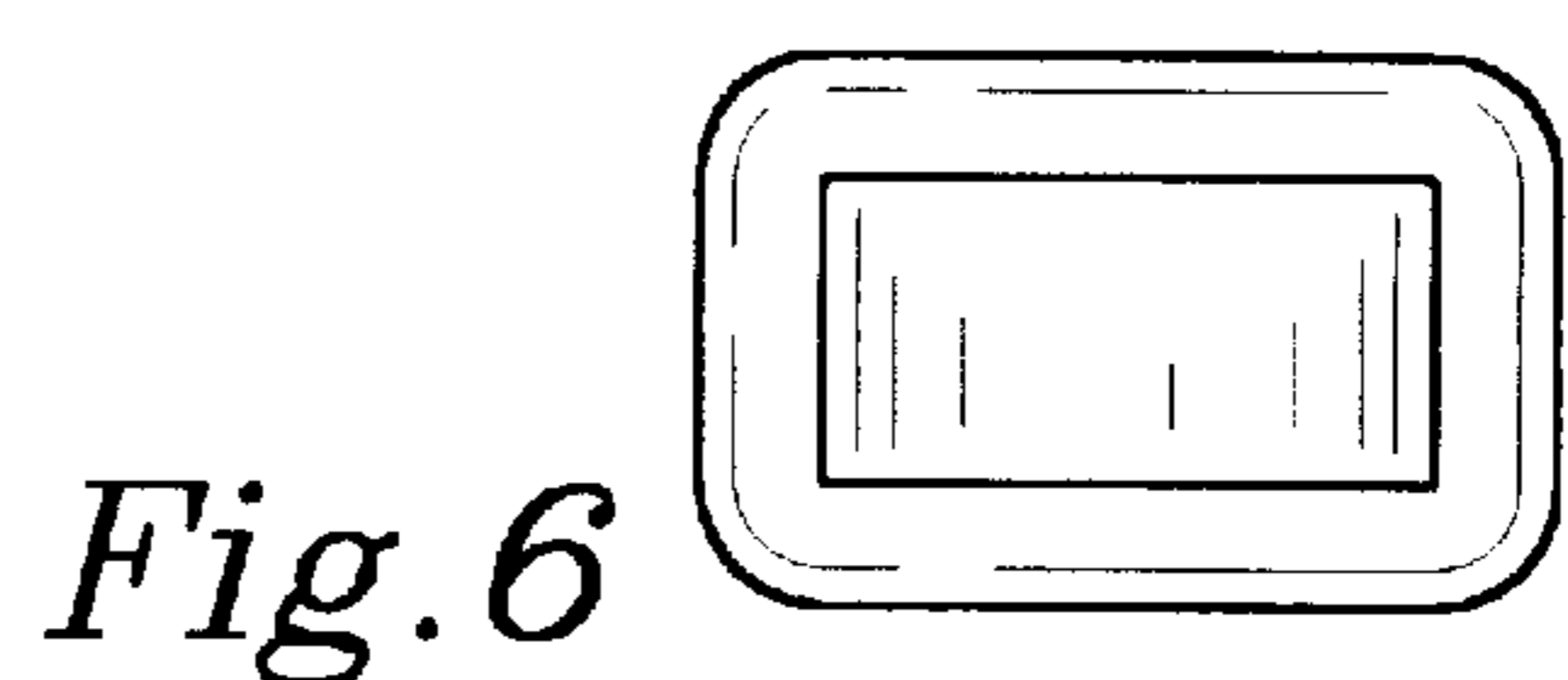
*Fig. 3*



*Fig. 4*



*Fig. 5*



*Fig. 6*