



US00D429111S

United States Patent [19]

[11] Patent Number: **Des. 429,111**

Busick et al.

[45] Date of Patent: **** Aug. 8, 2000**

[54] **FEED TUBE ADAPTER FOR A BOTTLED WATER COOLER**

[75] Inventors: **Louis M. Busick**, Columbus; **David B. Chaney**, Westerville; **Kenneth J. Hydak**, Worthington, all of Ohio

[73] Assignee: **Oasis Corporation**, Columbus, Ohio

[**] Term: **14 Years**

[21] Appl. No.: **29/094,480**

[22] Filed: **Oct. 2, 1998**

[51] **LOC (7) Cl.** **07-99**

[52] **U.S. Cl.** **D7/398; D7/397**

[58] **Field of Search** **D7/387, 398, 397, D7/306, 307, 308; 222/185.1, 83.5; 141/319, 18, 330, 346, 329; 62/294**

[56] **References Cited**

U.S. PATENT DOCUMENTS

D. 331,349	12/1992	Culverson	D7/397
D. 366,391	1/1996	Haley et al.	D7/397
1,337,206	4/1920	Doering	.	
4,699,188	10/1987	Baker et al.	.	
4,846,236	7/1989	Deruntz	.	

4,874,023	10/1989	Ulm	.	
4,991,635	2/1991	Ulm	.	
5,121,778	6/1992	Baker et al.	.	
5,295,519	3/1994	Baker et al.	141/18
5,413,152	5/1995	Burrows	.	
5,454,409	10/1995	McAffer et al.	141/329
5,464,127	11/1995	Burrows	.	
5,676,278	10/1997	Beyer et al.	.	

Primary Examiner—M. N. Pandozzi
Attorney, Agent, or Firm—Kelly Bauersfeld Lowry & Kelley, LLP

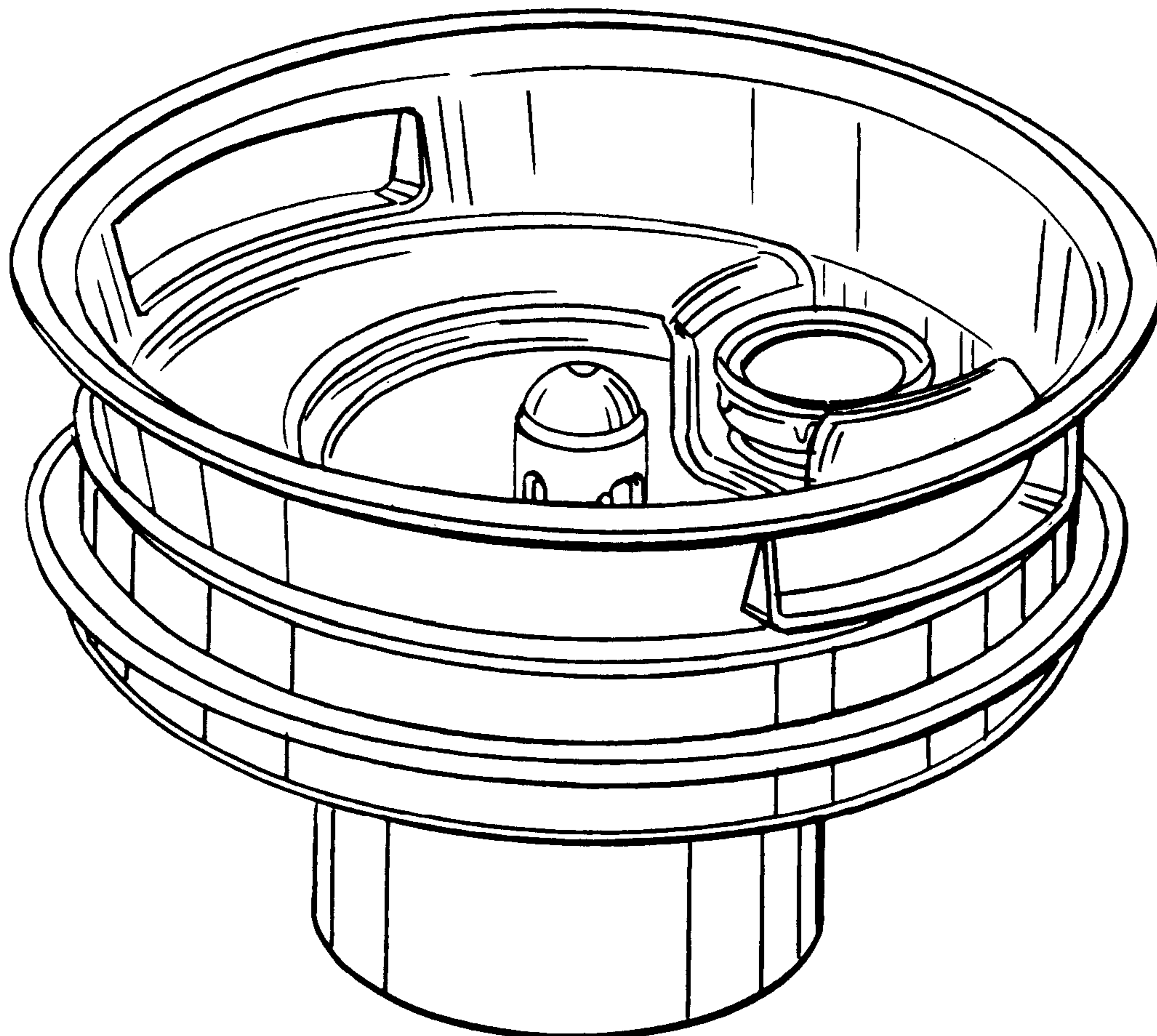
[57] **CLAIM**

The ornamental design for a feed tube adapter for a bottled water cooler, as shown.

DESCRIPTION

FIG. 1 is a perspective view showing the front, top and right sides of a feed tube adapter for a bottled water cooler embodying our new design; FIG. 2 is a front elevation view thereof, the rear elevation view being identical to the front view as shown; FIG. 3 is a right side elevation view thereof; FIG. 4 is a left side elevation view thereof; FIG. 5 is a top plan view thereof; and, FIG. 6 is a bottom plan view thereof.

1 Claim, 3 Drawing Sheets



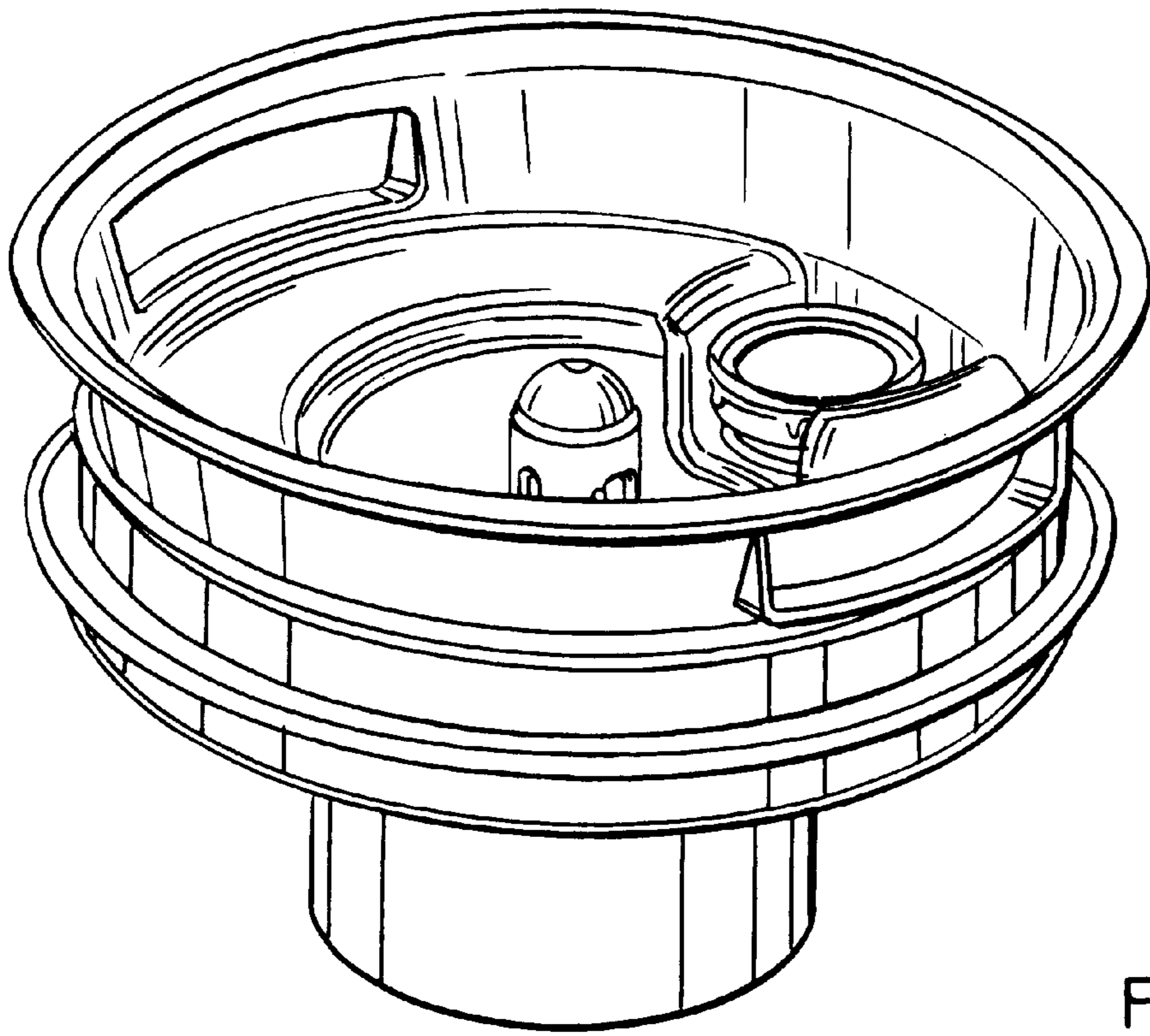


FIG. 1

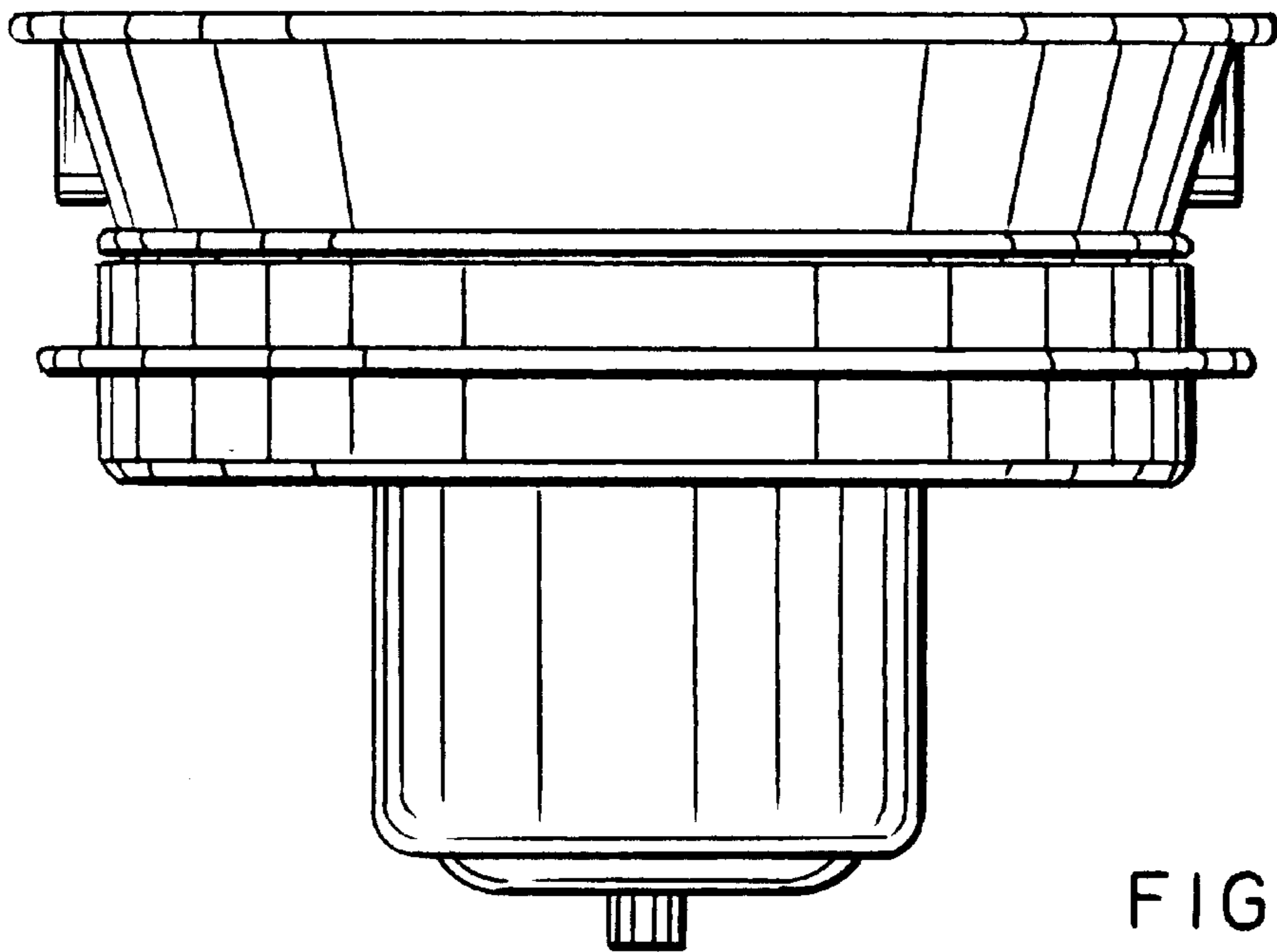


FIG. 2

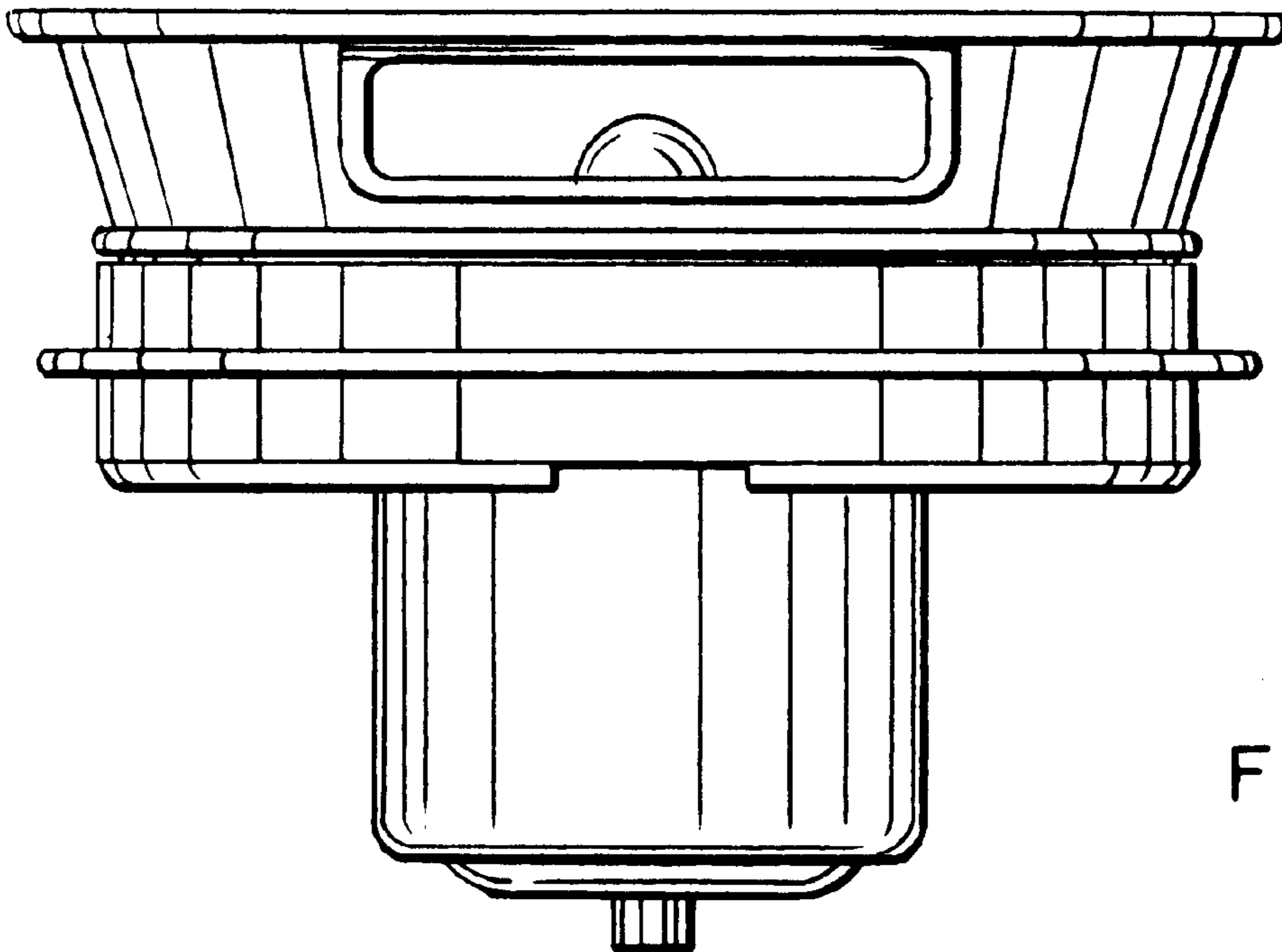


FIG. 3

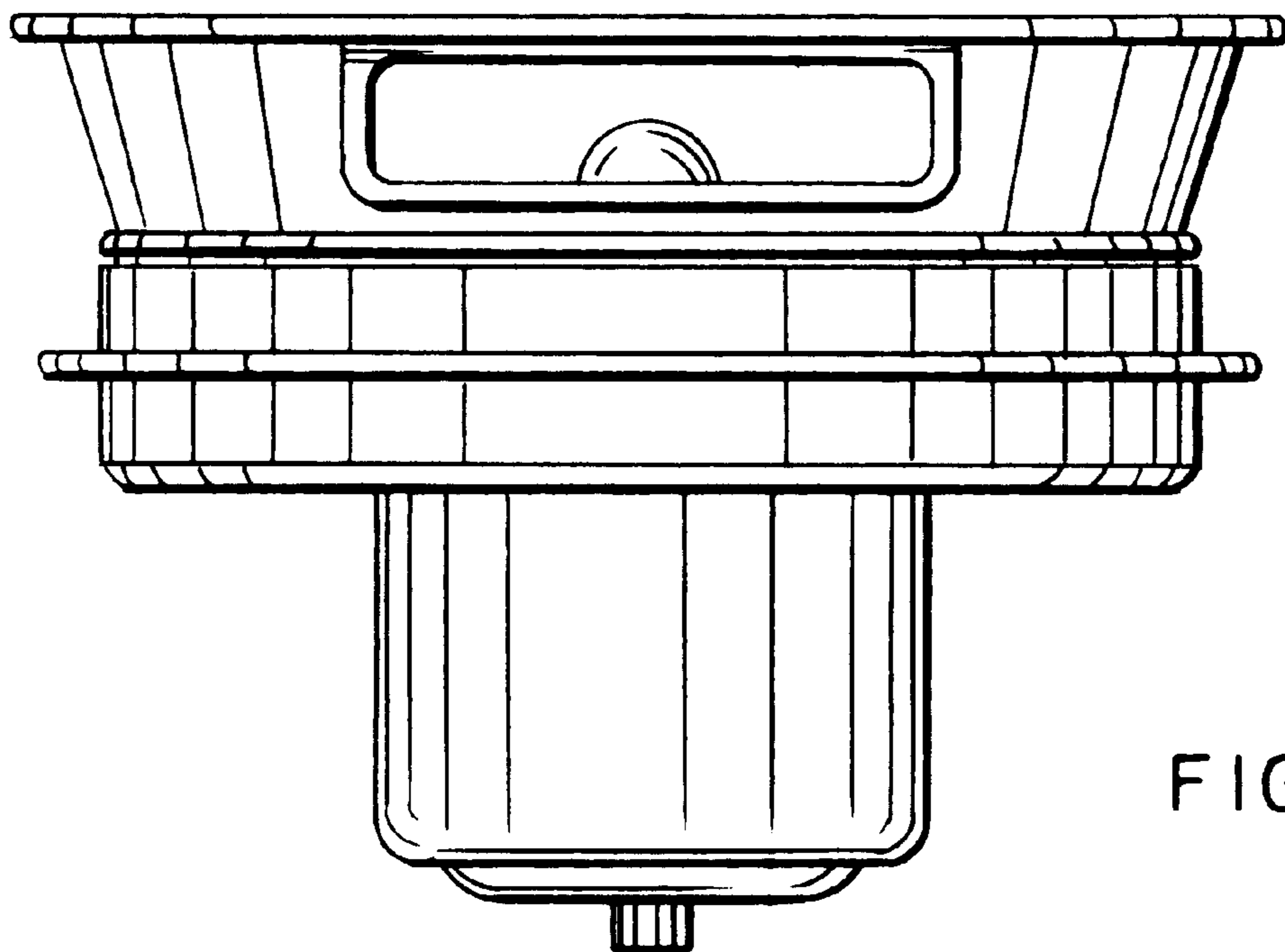


FIG. 4

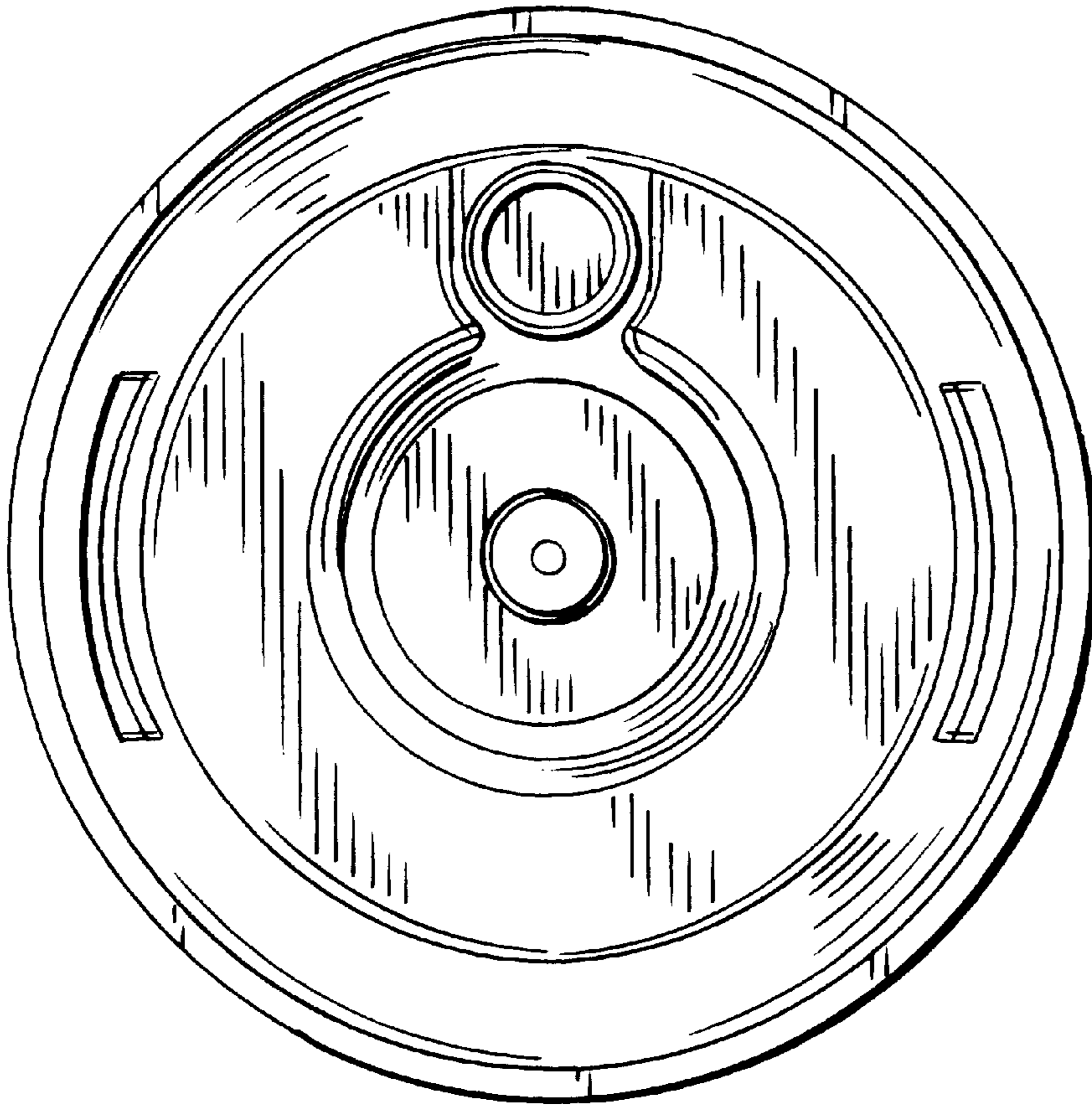


FIG. 5

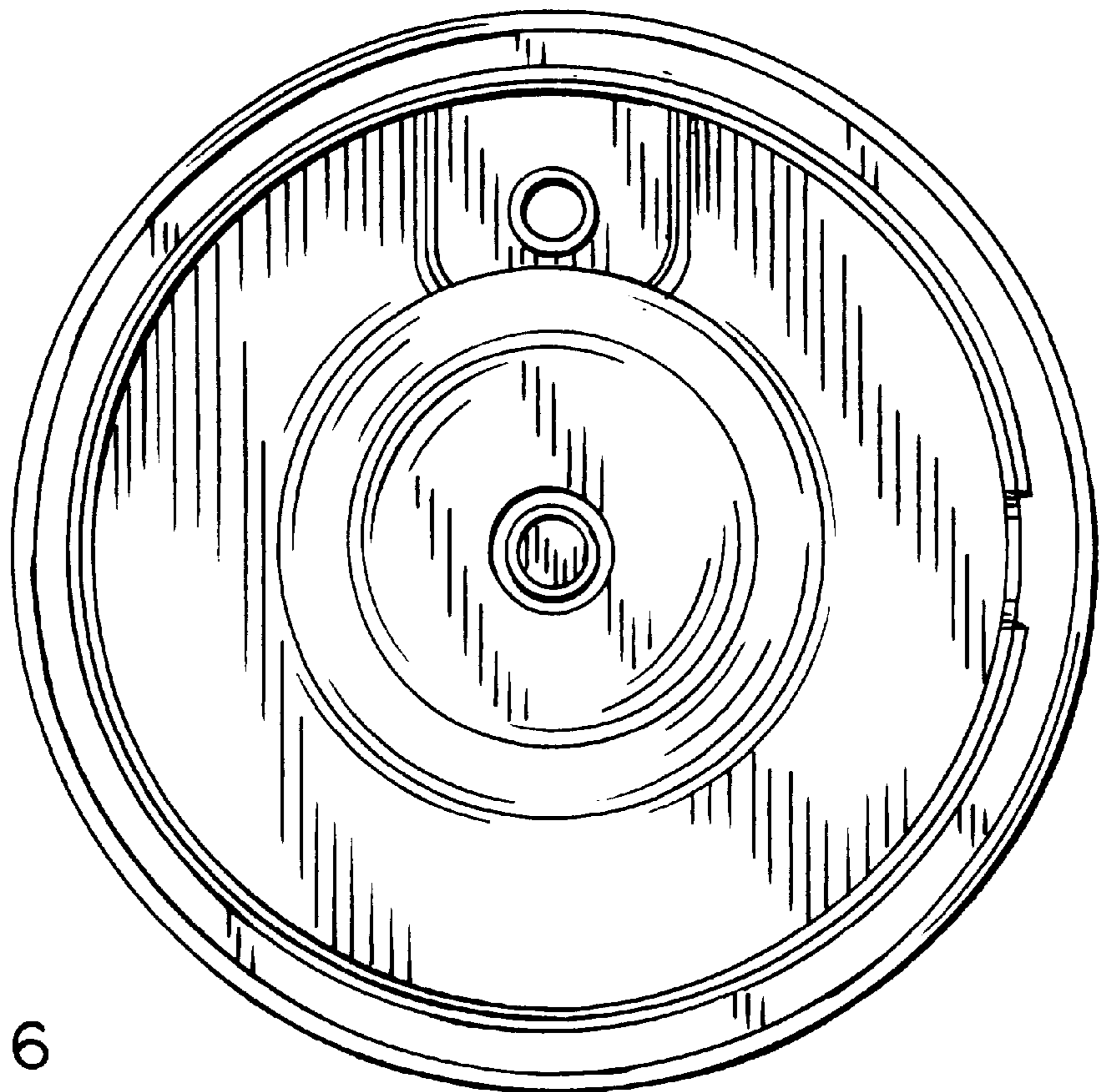


FIG. 6